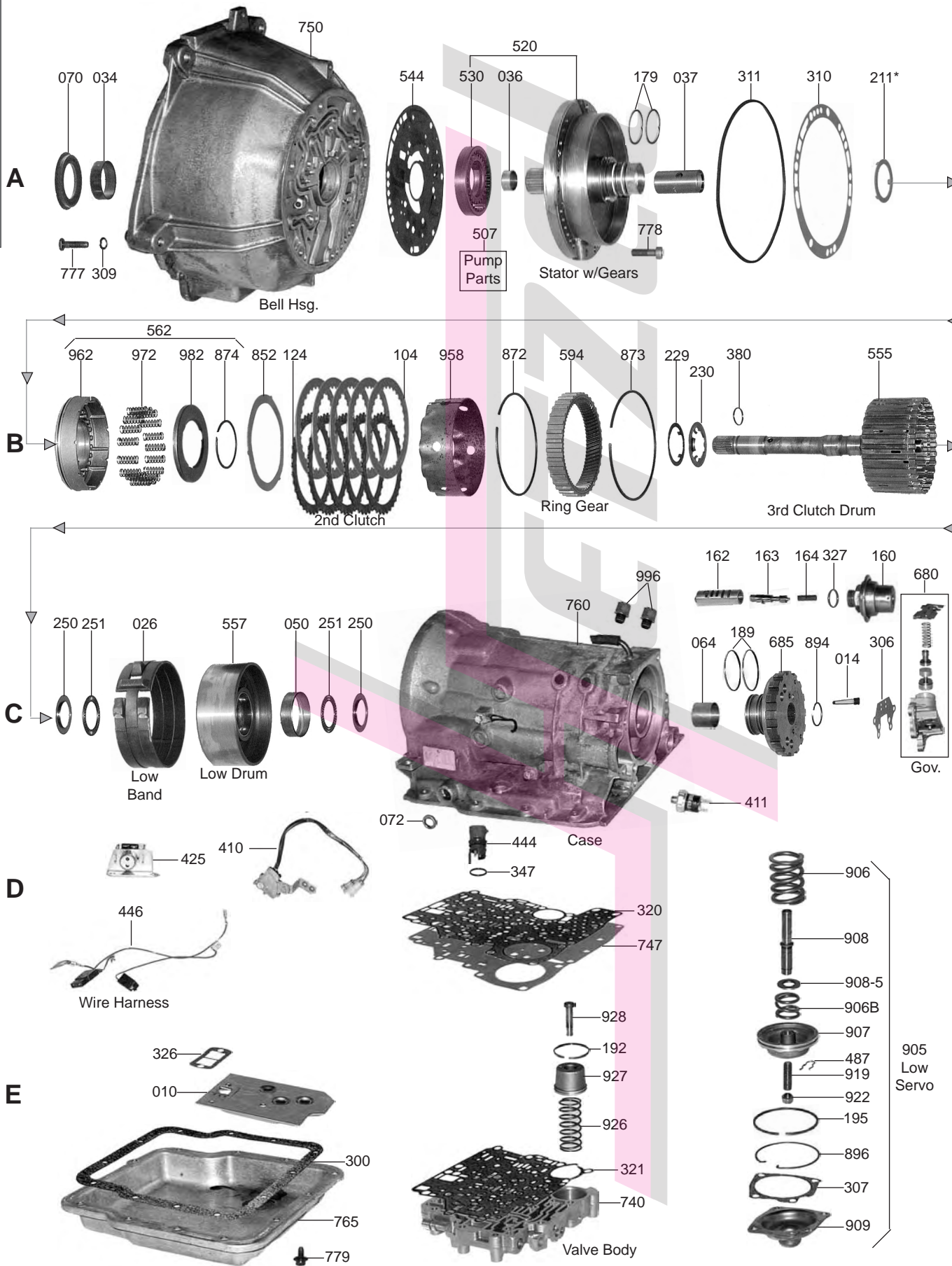


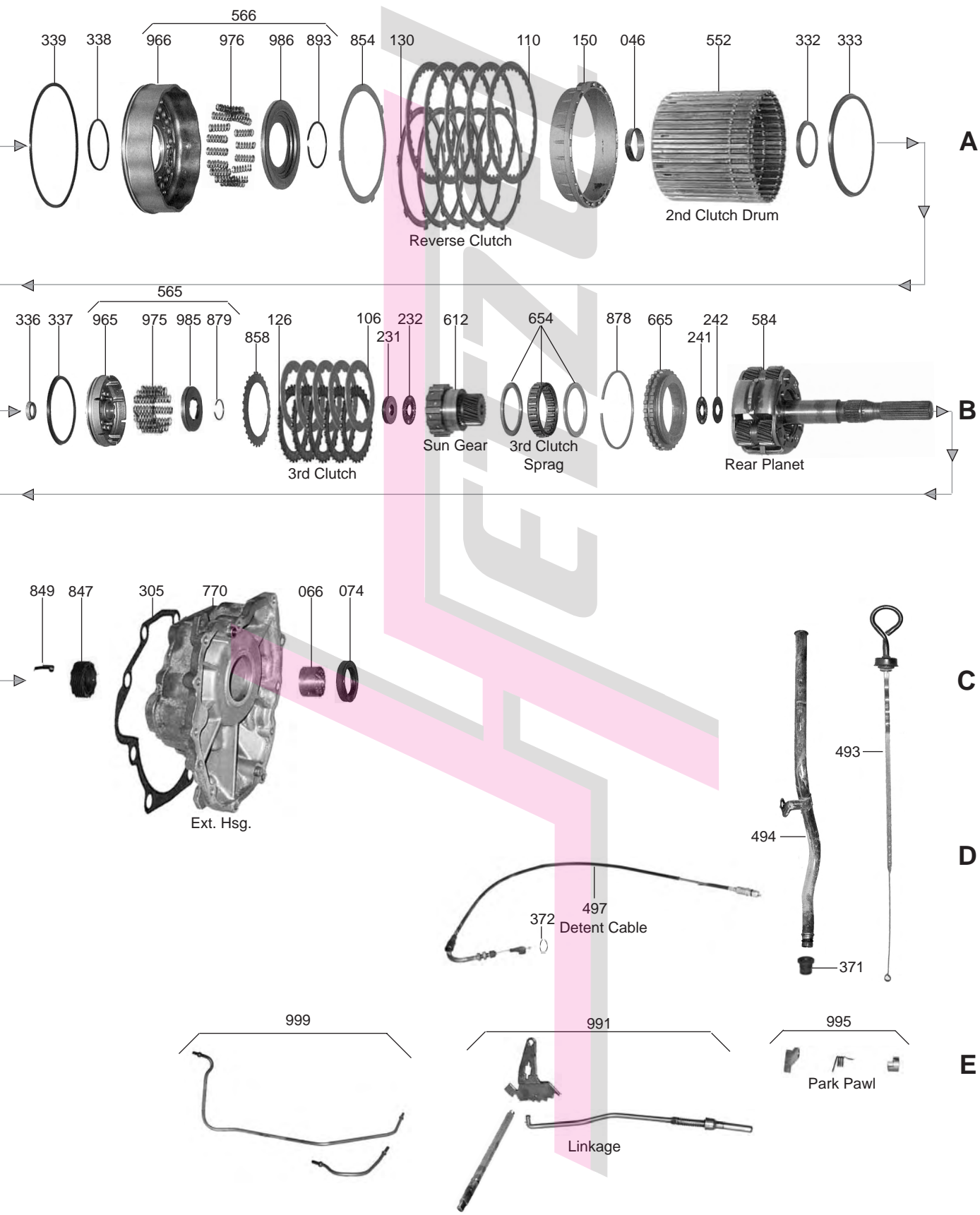
3L30 (180 / 180C)

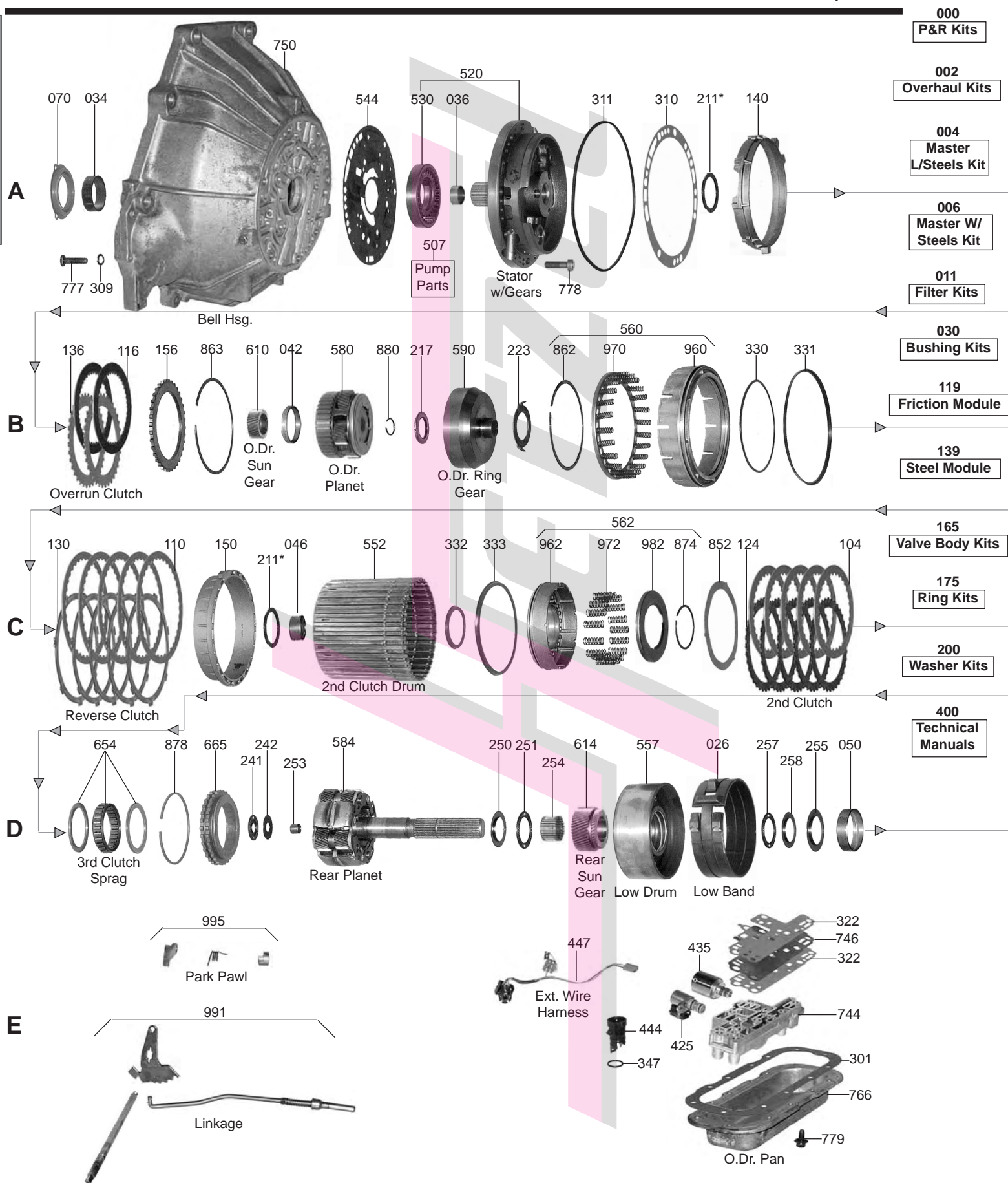
RWD 3 Speed

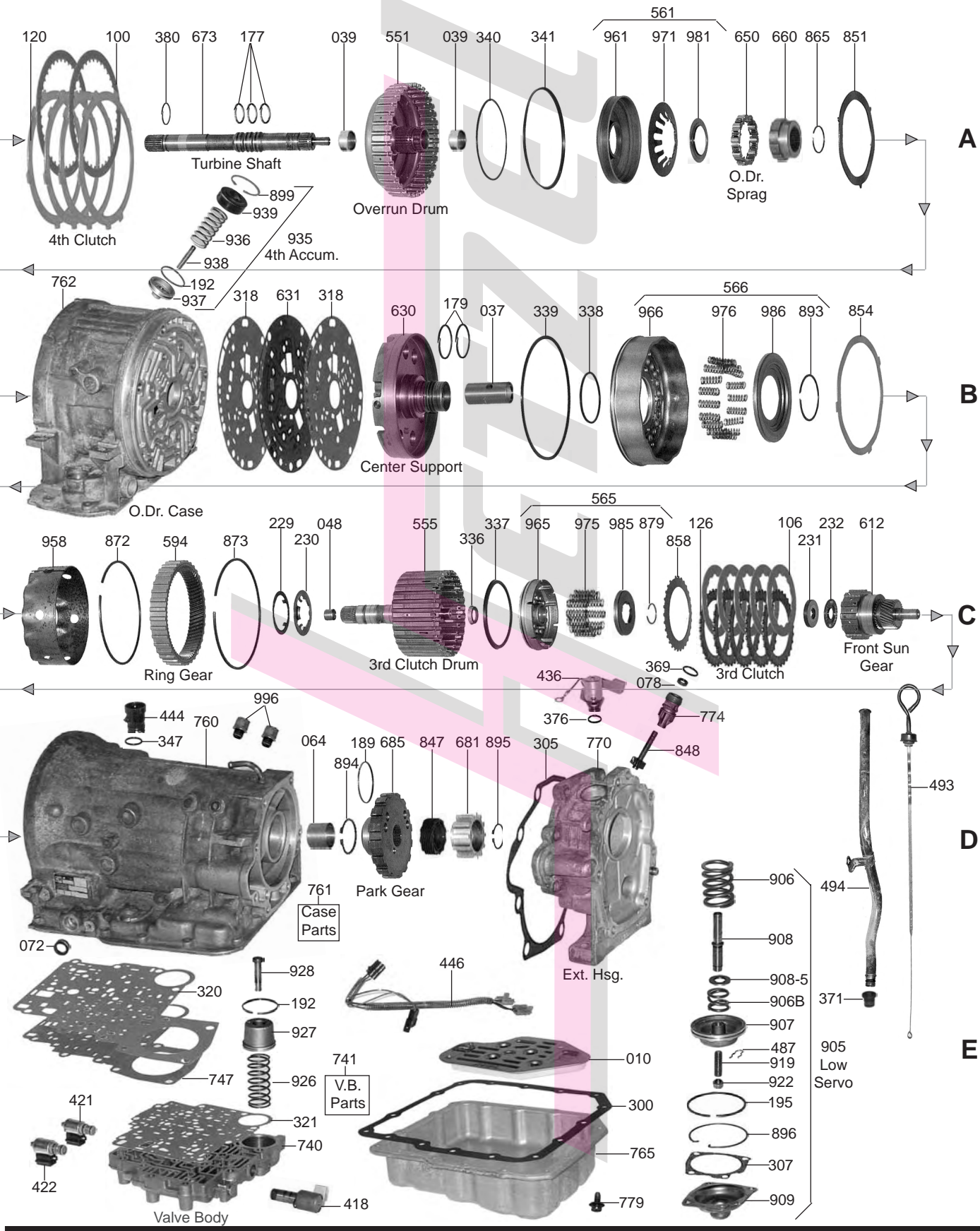
General Motors



- 000 P&R Kits
- 002 OHK Kits
- 004 Master L/Steels Kit
- 006 Master W/Steels Kit
- 011 Filter Kits
- 030 Bushing Kits
- 119 Friction Module
- 139 Steel Module
- 165 V.B. Kits
- 175 Ring Kits
- 200 Washer Kits
- 400 Tech Manuals







3L30 (180 / 180C) / 4L30E

RWD 3 & 4 Speed

PART #	PAPER & RUBBER KIT	QTY.	REFERENCE #
24000	Paper & Rubber Kit, 180/180C Combo 1969-Up	1	
24000A	Paper & Rubber Kit, 180C (Post Office & Luv) 1987-Up	1	
24000EF	Paper & Rubber Kit, 4L30E 1989-Up (Farpak)	1	
PART #	OVERHAUL KIT	QTY.	REFERENCE #
24002	Overhaul Kit, 180/180C Combo 1969-Up	1	
24002A	Overhaul Kit, 180C (Post Office, Luv & Tracker) 1987-Up (For Tracker 2WD You Must Sell 24074A & For 4x4 Sell 67076A Also)	1	
24002EF	Overhaul Kit, 4L30E 1989-Up (Farpak)(For BMW Sell 69074 Also)(With The Overrun Bonded Piston)	1	
PART #	MASTER L/STEEL KIT	QTY.	REFERENCE #
24004	Master L/Steel Kit, 180/180C Combo 1969-Up	1	
24004A	Master L/Steel Kit, 180C (Post Office, Luv & Tracker) 1987-Up (For Tracker 2WD You Must Sell 24074A & For 4x4 Sell 67076A Also)	1	
24004EF	Master L/Steel Kit, 4L30E 1989-97 (Farpak) (For BMW Sell 69074 Also) (With Overrun Clutch Bonded Piston)	1	
24004EAF	Master L/Steel Kit, 4L30E 1998-Up (Farpak) (With Overrun Clutch Bonded Piston)	1	
PART #	MASTER W/STEEL KIT	QTY.	REFERENCE #
24006	Master W/Steel Kit, 180/180C Combo 1969-Up	1	
24006A	Master W/Steel Kit, 180C (Post Office, Luv & Tracker) 1987-Up (For Tracker 2WD You Must Sell 24074A & For 4x4 Sell 67076A Also)	1	
24006EF	Master W/Steel Kit, 4L30E 1989-97 (Farpak)(For BMW Sell 69074 Also)(With Overrun Clutch Bonded Piston)	1	
24006EAF	Master W/Steel Kit, 4L30E 1998-Up (Farpak) (With Overrun Clutch Bonded Piston)	1	
PART #	FILTER	QTY.	REFERENCE #
24010	Filter, 180/180C 1969-Up	1	5258130
24010E	Filter, 4L30E (1/2" Tall Pick-Up) 1989-Up	1	8-96041-011-0
24010EA	Filter, 4L30E (11/16" Tall Pick-Up) 1991-Up	1	
PART #	FILTER KIT	QTY.	REFERENCE #
24011	Filter Kit, 180/180C 1969-Up	1	
24011E	Filter Kit, 4L30E Isuzu 1989-Up (Clear Cover)	1	
24011EA	Filter Kit, 4L30E BMW 1991-Up (Black Cover)	1	
24011EB	Filter Kit, 4L30E Sidekick 1991-92	1	
PART #	MISC FILTERS	QTY.	REFERENCE #
24015	Filter, 4L30E PWM Solenoid Screen (3 3/4" Long)(In Valve Body) 1989-Up	1	94014437
54016B	Filter, 180/180C Governor (Tapered)	1	8627509
24018	Filter, 4L30E Force Motor Screen (In Auxillary Valve Body) 1989-Up	1	96014345
PART #	BANDS	QTY.	REFERENCE #
24026	Band, 180/180C/4L30E Low 1969-Up	1	5463805
PART #	BUSHINGS	QTY.	REFERENCE #
24030	Bushing Kit, 180/180C 1969-Up	1	
24030B	Bushing Kit, 4L30E 1989-Up	1	
S24034	Bushing, 4L30E Converter Housing (Sonnax)	1	54253-01
44034	Bushing, 180/180C/4L30E Pump Body	1	
54036A	Bushing, 180/180C/4L30E Pump Stator (Front) 1969-Up	1	8628915
24037	Bushing, 180/180C Pump Stator (Rear) 1969-Up	1	8958621
24037B	Bushing, 4L30E Center Support 1989-Up	1	
54039B	Bushing, 4L30E Overrun Drum 1989-Up	2	8634908
24042	Use 64044	1	8631905
64044	Bushing, 4L30E Overdrive Planet #042	1	
24046	Bushing, 180/180C/4L30E 2nd Clutch Drum 1969-Up	1	5258128
54048B	Bushing, 4L30E 3rd Clutch Drum Shaft (Pilot) 1989-Up	1	8634925
24050	Bushing, 180/180C/4L30E Input Sun Gear 1969-Up	1	5258075

24064.....	Bushing, 180/180C/4L30E Case 1969-Up.....	1	5258191
24064B.....	Bushing, 180/180C/4L30E Case (No Walk) 1969-Up.....	1	
24064S.....	Bushing/Sleeve, 180/180C Governor Bore (Chrome-Moly) 1969-Up.....	1	
24066A.....	Bushing, 180/180C/4L30E Extension Housing (Tracker Only) 1989-98.....	1	
44066B.....	Bushing, 180/180C/4L30E Extension Housing (Bronze)1969-Up.....	1	6260048

PART # METAL CLAD SEALS QTY. REFERENCE #

44070.....	Seal, 180/180C Front (Converter Housing) 1969-Up.....	1	8626916
24070A.....	Seal, 4L30E Front (Converter Housing) 1989-Up.....	1	8-96015-187-0
44072.....	Seal, 180/180C Linkage Shaft 1969-Up.....	1	8623056
84072A.....	Seal, 4L30E Linkage Shaft 1989-Up.....	1	8644709
24074.....	Seal, 180 Rear (Fiat).....	1	
24074A.....	Seal, 180/180C/4L30E Rear (Sidekick, Tracker 2wd) 1990-Up.....	1	96040762
44074.....	Seal, 180/180C/4L30E Rear 1969-Up.....	1	1243402
44074C.....	Seal, 180/180C/4L30E Rear (With Flange) With Short Boot.....	1	
69074.....	Seal, 4L30E (BMW) Extension Housing Seal (2.292"OD) 1989-02.....	1	
67076A.....	Seal, 180/180C/4L30E Rear (2.145"OD) (Sidekick, Tracker 4x4).....	1	96054039
44078X.....	Seal, 180/180C Speed-O Shaft 1969-Up.....	1	1240382

PART # FRICTION CLUTCH QTY. REFERENCE #

24100.....	Friction, 4L30E 4th Clutch .086" 1989-Up.....	3	8-96014-459-0
24104.....	Friction, 180/180C/4L30E 2nd Clutch .097" 1969-Up.....	3-5	96013664
24106.....	Friction, 180/180C/4L30E 3rd Clutch .100" 1969-Up.....	2-5	90064281
24106A.....	Friction, 4L30E 3rd Clutch .063" 1998-Up.....	2-6	
24110.....	Friction, 180/180C/4L30E Reverse Clutch .095" 1969-Up.....	2-5	96013665
24116.....	Friction, 4L30E Overrun Clutch .086" 1989-Up.....	2	8-96014-195-0
24119.....	Friction Module, 180/180C 1969-Up.....	1	
24119E.....	Friction Module, 4L30E 1989-97.....	1	
24119EB.....	Friction Module, 4L30E 1998-Up.....	1	

PART # STEEL CLUTCH QTY. REFERENCE #

24120.....	Steel, 4L30E 4th Clutch .080" 1989-Up.....	4	8-96014-187-0
24124.....	Steel, 180/180C/4L30E 2nd Clutch .083" 1969-Up.....	3-6	96040118
24124A.....	Steel, 180/180C/4L30E 2nd Clutch .070" 1969-Up.....	3-6	5258057
24126.....	Steel, 180/180C/4L30E 3rd Clutch .083" 1969-Up.....	3-6	5258955
24126A.....	Steel, 180/180C/4L30E 3rd Clutch .070" 1969-Up.....	3-6	5258086
24130.....	Steel, 180 Reverse Clutch .070" 1969-Up.....	3-6	5258019
24130A.....	Steel, 180/180C/4L30E Reverse Clutch .083" 1969-Up.....	3-6	96040135
24136.....	Steel, 4L30E Overrun Clutch .082" 1989-Up.....	2	8-9604-194-0
24139.....	Steel Module, 180/180C 1969-Up.....	1	
24139E.....	Steel Module, 4L30E 1989-Up.....	1	

PART # CLUTCH PRESSURE PLATES QTY. REFERENCE #

24140.....	Spacer Plate, 4L30E 4th Clutch (Aluminum) 1989-Up.....	1	
24150.....	Spacer Plate, 180/180C Reverse Clutch (3/4" Thick)(Aluminum) 1969-Up.....	1	8958733
24150E.....	Spacer Plate, 4L30E Reverse Clutch (1 3/16" Thick)(Aluminum) 1989-Up.....	1	
24156.....	Pressure Plate, 4L40E Overrun Clutch .200" 1989-Up.....	1	

PART # MODULATORS QTY. REFERENCE #

24160.....	Modulator, 180/180C (1 Green Stripe) (Non-Broached Style) (Non-Adjustable) 1969-Up.....	1	51-0302-02-00
24160B.....	Modulator, 180/180C (1 Blue Stripe) (Broached Style) (Non-Adjustable) 1969-Up.....	1	8958947
24160C.....	Modulator, 180/180C (2 Green Stripes) (Adjustable) 1969-Up.....	1	96013866
24160CA.....	Modulator, 180/180C (1 Green Stripe) (Non-Adjustable) (Post Office) (Can Use 24160).....	1	51-0302-06-00
24160E.....	Modulator, 180/180C (2 Blue Stripes) (Chevrolet Round Hole)(Adjustable) 1969-Up.....	1	96013028
24160G.....	Modulator, 180/180C (1 Purple Stripe) (Suzuki, GEO Tracker) (Adjustable) 1989-Up.....	1	96040434
44162.....	Hose, 180/180C Modulator (Elbow) 1969-Up.....	1	C1AZ-7B087-E
24163.....	Valve, 180/180C Under Modulator 1969-Up.....	1	96040265
24163-1.....	Sleeve, 180/180C (Aluminum, For Valve Under Modulator) 1969-Up.....	1	5258921
24164.....	Pin, 180/180C Modulator 1969-Up.....	1	5258244

3L30 (180 / 180C) / 4L30E

RWD 3 & 4 Speed

PART #	VALVE BODY KITS	QTY.	REFERENCE #
T24165	Valve Body Kit, 180C (Post Office, Luv) 1982-Up (Transgo)	1	SK-180-C
A24165E	Valve Body Kit, 4L30E (Translab)	1	TL-4L30
S24165E	Valve Body Kit, 4L30E (Superior)	1	
T24165EA	Shift Kit, 4L30E (Contains: Center Support Bushing, Driver, Turbine Shaft Ball & Capsule, TCC Spring In Stator, Pump Alignment Tool, Drill Bit For Valve Body) 1991-04 (Transgo)	1	

PART #	OIL SEALING RINGS	QTY.	REFERENCE #
24175	Ring Kit, 180/180C 1969-Up	1	
24175B	Ring Kit, 180/180C (For Holden Only)	1	
24175E	Ring Kit, 4L30E 1989-Up	1	
54177AT	Ring, 4L30E Turbine Shaft (Scarf Cut)(Teflon) 1989-Up	3	8628090
54177BT	Ring, 4L30E Turbine Shaft (Solid) (Teflon) 1989-Up	3	
24179	Ring, 180/180C Stator 1969-Up (4L30E Center Support 1989-Up)	2-4	5258106
24189	Ring, 180/180C/4L30E Governor Hub 1969-Up	3	5258837
24189B	Ring, 180C Governor Hub (For Holden Only)	3	
34192	Ring, 180/180C/4L30E Accumulator Piston 1969-Up	1	8623653
24195	Ring, 180/180C/4L30E Low Servo Piston 1969-Up	1	5258159

PART #	WASHERS & BEARINGS	QTY.	REFERENCE #
24200	Washer Kit, 180/180C 1969-86	1	
24200B	Washer Kit, 180/180C/4L30E 1987-Up	1	
24211AB	Washer, 180/180C/4L30E Pump/Center Support .070" (No Tab) 1969-Up	1	5258202
24211AC	Washer, 180/180C/4L30E Pump/Center Support .078" (No Tab) 1969-Up	1	5258203
24211AD	Washer, 180/180C/4L30E Pump/Center Support .083" (No Tab) 1969-Up	1	5258204
24211AE	Washer, 180/180C/4L30E Pump/Center Support .088" (No Tab) 1969-Up	1	5258205
24211AG	Washer, 180/180C/4L30E Pump/Center Support .094" (No Tab) 1969-Up	1	5258206
24211AH	Washer, 180/180C/4L30E Pump/Center Support .100" (No Tab) 1969-Up	1	5258207
24211AK	Washer Kit, 180/180C/4L30E Pump/Center Support (6 Selectives)(No Tab) 1969-Up	1	
24211B	Washer, 180C/4L30E Pump/Center Support .059" (3 Tab) 1987-Up	1	94040561
24211BA	Washer, 180C/4L30E Pump/Center Support .067" (3 Tab) 1987-Up	1	94040562
24211BB	Washer, 180C/4L30E Pump/Center Support .075" (3 Tab) 1987-Up	1	94040563
24211BC	Washer, 180C/4L30E Pump/Center Support .082" (3 Tab) 1987-Up	1	94040564
24211BD	Washer, 180C/4L30E Pump/Center Support .090" (3 Tab) 1987-Up	1	94040565
24211BE	Washer, 180C/4L30E Pump/Center Support .098" (3 Tab) 1987-Up	1	94040566
S24211BK	Washer & Shim Kit, 180C/4L30E Pump/Center Support (With 2- .075" 3 Tab Washers, 4- .010" Shims & 2- .030" Shims) (Sonnax)	1	54701-03K
54217B	Bearing W/Race, 4L30E Overdrive Planet to Overdrive Ring Gear 1989-Up	1	8634035
24223	Washer, 4L30E Overdrive Ring Gear to Overdrive Case (2 Tab)	1	8-96014-390-0
24229	Washer, 180/180C/4L30E 2nd Drum to 3rd Drum (Front)(5 Tab Metal) 1969-Up	1	5258945
24229A	Washer, 180/180C/4L30E 2nd Drum to 3rd Drum (Front)(Plastic) 1969-Up	1	96040241
24230	Washer, 180/180C/4L30E 2nd Drum to 3rd Drum (Rear) 1969-Up	1	5258945
24231	Race, 180/180C/4L30E 3rd Drum to Sun Gear (Front) 1969-Up	1	
24232	Bearing, 180/180C/4L30E 3rd Drum to Sun Gear (Rear) 1969-Up	1	96040078
24233	Race, 4L30E 3rd Drum to Sun Gear (Rear)(.076") 1989-Up	1	
24241	Bearing, 180/180C Sun Gear to Planet (.520"ID) 1969-Up	1	
24241E	Bearing, 4L30E Sun Gear to Planet (.715"ID) 1989-Up	1	8-96014-602-0
24242	Race, 180/180C Sun Gear to Planet (.520"ID) 1969-Up	1	5258555
24242E	Race, 4L30E Sun Gear to Planet (.725"ID) 1989-Up	1	
24250	Race, 180/180C Sun Gear to Low Drum & Low Drum to Case 1969-Up	2	
24251	Bearing, 180/180C Sun Gear to Low Drum & Low Drum to Case 1969-Up	2	5686837
24251E	Bearing, 4L30E Planet to Low Drum (Stays in Planet) 1989-Up	1	
24254E	Caged Bearing, 4L30E (Stays in Output Shaft) 1989-Up	1	
24257	Bearing W/Race, 4L30E Low Drum to Case 1989-Up	1	8-96014-084-0

PART #	GASKETS & RUBBER COMPONENTS	QTY.	REFERENCE #
24300	Gasket, 180/180C Bottom Pan 1969-Up	1	14050668
24300A	Gasket, 4L30E (All Except BMW) Bottom Pan 1989-Up	1	8-9014-234-0
24300B	Gasket, 4L30E (BMW Only) Bottom Pan 1990-Up	1	98091
24301A	Gasket, 4L30E Front Overdrive Pan 1989-Up	1	8-9014-235-0
24305	Gasket, 180/180C/4L30E Extension Housing 1969-Up	1	96040534
24305E	Gasket, 4L30E Extension Housing 1989-Up	1	
24307	Gasket, 180/180C Servo Cover 1969-Up	1	
44309	Gasket, 180/180C Pump Bolt Washer 1969-Up	12	3884683
24310	Gasket, 180/180C Pump 1969-Up	1	5258939
24310E	Gasket, 4L30E Pump 1989-Up	1	
24311	O-Ring, 180/180C/4L30E Pump 1969-Up	1	5258119

24318B	Gasket, 4L30E Center Support To Plate 1989-91 (Takes 2)	2	
24318BA	Gasket, 4L30E Center Support To Plate 1992-Up (Takes 2)	2	96016514
24320	Gasket, 180/180C Valve Body(Upper)(Exc 1987-Up P.O., Luv, Tracker & Sidekick) 1969-Up	1	96040729
24320A	Gasket, 180/180C Valve Body(Upper)(Post Office, Luv, Tracker & Sidekick) 1987-Up	1	
24320B	Gasket, 4L30E Valve Body (Upper) 1989-11/93	1	
24320BA	Gasket, 4L30E Valve Body (Upper) 12/93-Up	1	
24321	Gasket, 180/180C Valve Body(Lower)(Exc 1987-Up P.O., Luv, Tracker & Sidekick) 1969-Up	1	5258443
24321A	Gasket, 180/180C Valve Body(Lower)(Post Office, Luv, Tracker & Sidekick) 1987-Up	1	
24321B	Gasket, 4L30E Valve Body (Lower) 1989-Up	1	
24326	Gasket, 180/180C Filter 1969-Up	1	5258245
24327	Gasket, 180/180C Modulator 1969-Up	1	
24336	Lip Seal, 180/180C/4L30E 3rd Clutch (Inner)	1	
24354	O-Ring, 4L30E 4th Accumulator Cover (For Aluminum Cover)	2	
103368	O-Ring, 180/180C Speed-O Sleeve 1969-Up	1	10054241
44371A	O-Ring, 180/180C Filler Tube 1969-Up	1	6264902
44371B	Boot, 180/180C/4L30E Filler Tube 1969-Up	1	
24372	O-Ring, 180/180C Detent Cable 1969-Up	1	5258404
64380	O-Ring, 180C/4L30E Turbine Shaft (Goes Behind Splines) 1982-Up	1	

PART #	TECHNICAL MANUALS	QTY.	REFERENCE #
24400E	Tech Manual, 4L30E 1989-Up		4L30-E

PART #	ELECTRICAL COMPONENTS	QTY.	REFERENCE #
24411	Switch, 180/180C 2nd Clutch Pressure 1969-Up	1	
44416A	Switch, 180/180C Governor Pressure 40 PSI 1969-Up	1	8648062
44416B	Switch, 180/180C Governor Pressure 46 PSI 1969-Up	1	8648063
44416C	Switch, 180/180C Governor Pressure 48 PSI 1969-Up	1	8648064
44416D	Switch, 180/180C Governor Pressure 50 PSI 1969-Up	1	8648065
44416DA	Switch, 180/180C Governor Pressure 52 PSI 1969-Up	1	8648066
44416E	Switch, 180/180C Governor Pressure 54 PSI 1969-Up	1	8648067
24418	Solenoid, 4L30E PWM (Band Control) 1989-Up	1	52-0248
34418	Solenoid, 4L30E TCC 2000-Up	1	
24421E	Solenoid, 4L30E 1-2 & 3-4 Shift 1989-Up	1	4394722
24422E	Solenoid, 4L30E 2-3 Shift 1989-Up	1	4394243
24425	Solenoid, 180C TCC Lock-Up 1980-87	1	
24425B	Solenoid, 180C TCC Lock-Up 1988-Up	1	52-0233
24425E	Solenoid, 4L30E TCC Lock-Up 1989-00 (With 2 Prong Connector)	1	4394177
24425F	Solenoid, 4L30E TCC Lock-Up 2000-Up (With 2 Prong Oval Connector)(Can Use 34418)	1	8-96042-666-0
34435A	Solenoid, 4L30E Pressure Control (Force Motor) 1989-97 (Has 2 Flat Blades On End Of Solenoid)	1	24220158
24435EA	Solenoid, 4L30E Pressure Control (Force Motor) 1997-Up (This Is The Bosch)	1	8677314
24436	Sensor, 4L30E Output Speed (Except BMW) 1989-Up	1	8-96014-442-0
44442A	Universal Adjustment Vaccum Switch, 180C (1" To 6" Of Vaccum) (Superior)	1	
44442B	Universal Adjustment Vaccum Switch, 180C (6" To 22" Of Vaccum) (Superior)	1	
64444A	Connector, 4L30E Case (Round 5 Wire) 1989-Up	1	8665015
74444A	Connector, 180C Case (3 Prong)	1	8634383
84444	Connector, 180C Case (4 Prong) Square	1	
84444C	Connector, 4L30E Case (7 Prong)	1	8651620
24445E	Wire Harness, 4L30E External (Round 5 Wire) 1989-Up	1	
84445K	Repair Kit, 4L30E External Wire Harness (Round 5 Wire Type) 1989-Up	1	
24446	Wire Harness, 4L30E Internal (4 Wire Connector That Plugs Into The Case Connector With 3 Two Wire Connectors) 1989-Up	1	
24446A	Wire Harness, 4L30E Internal (4 Wire Connector That Plugs Into The Case Connector With 2 Two Wire Connectors) 1989-Up	1	
24446AA	Wire Harness, 4L30E Internal (4 Wire Connector That Plugs Into The Case Connector With 2 Two Wire & 1 One Wire & 1 Ground Connector) 1989-Up	1	
24446B	Wire Harness, 4L30E Internal (6 Wire Round Connector That Plugs Into The Case Connector With 3 Two Wire Connectors) 1989-Up	1	
24446D	Wire Harness, 4L30E Internal (9 Pin Round Case Connector Made To The Wire Harness With 4 Two Wire And 2 One Wire Connectors)	1	

3L30 (180 / 180C) / 4L30E

RWD 3 & 4 Speed

PART #	ELECTRICAL COMPONENTS	QTY.	REFERENCE #
24447	Wire Harness, 4L30E Internal Auxillary (5 Prong Round Connector That Plugs Into The Auxillary Case Connector With 2 One Wire, 1 Two Wire Connectors And 1 Blade Ground Connector) 1989-Up	1	
24447A	Wire Harness, 4L30E Internal Auxillary (4 Wire Square Connector That Plugs Into The Auxillary Case Connector With 2 One Wire And 1 Two Wire Connector With Side Locking Tabs) 1989-Up	1	
24447AA	Wire Harness, 4L40E Internal Auxillary (4 Wire Square Connector That Plugs Into The Auxillary Case Connector With 2 One Wire, 1 Two Wire Blue Connector Without Side Locking Tabs) 1989-Up	1	
24447C	Wire Harness, 4L30E Internal Auxillary (2 Wire Square Connector That Plugs Into The Auxillary Case Connector With 5 One Blade Connectors) 1989-Up	1	
24447EC	Interceptor, 4L30E 1989-Up	1	
34447	Recalibrator, 4L30E (Electronic Speedometer)	1	RECAL-GM
24449	E-Place, 4L30E Electronic Controller Kit (ATG)	1	EP54-A

PART #	MISC. COMPONENTS	QTY.	REFERENCE #
M465F	Union, 5/16"	1	
44487	E-Clip, GM	1	9431762
44490	Vent, GM Case (Plastic)	1	
T44494R	Filler Tube & Dip Stick, GM (Fitz All, Teckpak)	1	

PART #	HARD PARTS	QTY.	REFERENCE #
24520	Stator W/Gears, 180 Opel W/Valve 1969-Up	1	90064214
24520A	Stator W/Gears, 180 Chevy W/Out Valve 1969-80	1	
24520B	Stator W/Gears, 180 Non Lock-Up 1981	1	
24520C	Stator W/Gears, 180C Lock-Up (Uses A No Tab Washer # 211) 1982-86	1	96040245
24520CA	Stator W/Gears, 180C Lock-Up (Uses A 3 Tab Washer # 211) 1987-Up	1	
24520CB	Stator W/Gears, 180C Lock-Up (Uses A 3 Tab Washer) 1987-Up (Has A Stepped Hole For A Tube & Capsule With Checkball In The Gasket Surface Area)	1	
24520E	Stator W/Gears, 4L30E (2 Valve Type) 1989-99	1	8-96041-018-0
24520EA	Stator W/Gears, 4L30E (4 Vlave Type)(Less Valves)(PWM) 2000-Up (Can Use 24520EK With BU40 Converter)	1	
24520EK	Pump Conversion Kit, 4L30E (For Axiom & Trooper 2000-04) (Contains: 24750EA, 24520E, 24544E & 24673A)(Must Use BU40 Converter)	1	

PART #	PUMP COMPONENTS	QTY.	REFERENCE #
S24507C-2	Sleeve, 4L30E TCC Regulator Valve Sleeve (Sonnax)(For PWM Only, Does Not Require Machining)	1	
S24507PK	Valve & Sleeve Kit, 4L30E Pressure Regulator Boost (Large Ratio) (Sonnax)	1	54200-06K
S24507PAK	Valve & Sleeve Kit, 4L30E Pressure Regulator Boost (Small Ratio) (Sonnax)	1	54200-12K
S24507PAAK	Valve & Sleeve Kit, 4L30E Pressure Regulator Boost (Small/Medium Ratio)(Sonnax)	1	
S24507PBK	Valve & Sleeve Kit, 4L30E Pressure Regulator Boost (Medium Ratio) (Sonnax)	1	54200-01K
24530A	Pump Gears, 180/180C/4L30E .628" Thick 1969-Up	1	

PART #	HARD PARTS (Continued)	QTY.	REFERENCE #
24544	Plate, 180 Pump 1969-80	1	5258850
24544B	Plate, 180 Pump Non Lock/Up 1981	1	
24544C	Plate, 180C Pump Lock-Up (056 Ink Letters) 1982-Up	1	96013212
24544CA	Plate, 180C Pump Lock-Up (272 Ink Letters) 1982-Up	1	
24544E	Plate, 4L30E Pump (069 Ink Letters) 1989-Up	1	8-96015-519-0
24544EA	Plate, 4L30E Pump (506 Ink Letters) 1989-Up	1	
24544EAA	Plate, 4L30E Pump (507 Ink Letters) 1989-Up	1	
24544EB	Plate, 4L30E Pump (519 Ink Letters) 1989-Up	1	
24544EC	Plate, 4L30E Pump (521 Ink Letters) 1989-Up	1	
24544ED	Plate, 4L30E Pump (548 Ink Letters) 1989-Up	1	
24544EE	Plate, 4L30E Pump (492 Ink Letters) 1989-Up	1	
24544EH	Plate, 4L30E Pump (630 Ink Letters) 1989-Up	1	
24544EL	Plate, 4L30E Pump (926 Ink Letters) 1989-Up	1	
24544ELA	Plate, 4L30E Pump (923 Ink Letters) 1989-Up	1	
24544EN	Plate, 4L30E Pump (995 Ink Letters) 1989-Up	1	
24551	Drum, 4L30E Overrun Clutch (2 Clutch) 1989-Up	1	8-96015-290-0

24552.....	Drum, 180 2nd Clutch 1969-78.....	1	5258129
24552A.....	Drum, 180/180C 2nd Clutch (.100" From Snap Ring #874 To Surface Where Washer #229 Rides) 1979-Up (Can Use 24552EK).....	1	
24552E.....	Drum, 4L30E 2nd Clutch (.160" From Snap Ring #874 To Surface Where Washer #229 Rides) 1989-Up.....	1	
245552EK.....	Drum Kit, 4L30E 2nd Clutch (With Piston Kit) 1989-Up (This Will Retro Fit 24552A).....	1	
24555.....	Drum W/Shaft, 180 3rd Clutch (Shaft Has A Pilot) 1969-80.....	1	8958686
24555A.....	Drum W/Shaft, 180C 3rd Clutch (Lock-Up) 1981-Up.....	1	
24555AA.....	Drum W/Shaft, 180 3rd Clutch (Non-Lock-Up) 1981(No Ck Ball in Shaft).....	1	
24555E.....	Drum W/Shaft, 4L30E 3rd Clutch (W/3 1/2" Long Shaft) 1989-Up.....	1	8-96041-002-0
24557.....	Drum, 180/180C Low Band W/Sun Gear Assembly (35 Teeth) 1969-Up.....	1	8958865
24557B.....	Drum, 180/180C/4L30E Low Band W/Sun Gear Assembly (42 Teeth) 1969-Up.....	1	
24557E.....	Drum, 4L30E Low Band (Less Rear Sun Gear But Uses A 42 Teeth Sun Gear # 614) 1989-Up.....	1	8-96014-581-0
24557EA.....	Drum, 4L30E Low Band With Sun Gear Assembly (46 Teeth) 1989-Up.....	1	
24560.....	Piston Kit, 4L30E 4th Clutch 1989-Up.....	1	
24561.....	Piston Kit, 4L30E Overrun Clutch 1989-Up.....	1	
24562.....	Piston Kit, 180/180C/4L30E 2nd Clutch (1.450" Overall Thickness) 1969-Up.....	1	
24562A.....	Piston Kit, 180/180C/4L30E 2nd Clutch (1.250" Overall Thickness) 1969-Up.....	1	
24565.....	Piston Kit, 180/180C 3rd Clutch (15/16" Thick) 1969-Up.....	1	
24565E.....	Piston Kit, 4L30E 3rd Clutch (9/16" Thick) 1989-Up.....	1	
24566.....	Piston Kit, 180/180C Reverse Clutch (1 1/2" Thick) 1969-Up.....	1	
24566A.....	Piston Kit, 180/180C Reverse Clutch (1 5/8" Thick) 1969-Up.....	1	
24566E.....	Piston Kit, 4L30E Reverse Clutch (1 5/16" Thick) 1989-Up.....	1	
24580.....	Planet, 4L30E Overdrive (31 Teeth Sun Gear # 610) 1989-Up.....	1	8-96014-376-0
24584.....	Planet, 180/180C W/13 3/4" Output Shaft (3 Gear)(25 Teeth Sun Gear # 612) 1969-Up.....	1	715007
24584K.....	Planet Kit, 180/180C W/13 3/4" Output Shaft (3 Gear)(25 Teeth Sun Gear # 612) 1969-Up (Contains: # 584,612,614, & 594).....	1	
24584A.....	Planet, 180/180C W/13 3/4" Output Shaft (4 Gear)(25 Teeth Sun Gear # 612) 1969-Up.....	1	
24584AA.....	Planet, 180/180C W/12" Output Shaft (3 Gear)(30 Teeth Sun Gear # 612) 1969-Up.....	1	
24584AB.....	Planet, 180/180C W/13 3/4" Output Shaft (3 Gear)(30 Teeth Sun Gear # 612) 1969-Up.....	1	
24584AG.....	Planet, 180C W/8" Output Shaft (3 Gear)(30 Teeth Sun Gear # 612)(Geo Tracker 4x4).....	1	
24584AT.....	Planet, 180/180C W/8 1/2" Output Shaft (3 Gear)(30 Teeth Sun Gear # 612) 1969-UP.....	1	
24584B.....	Planet, 180 W/Output Shaft (Fiat).....	1	
24584C.....	Planet, 180 W/Output Shaft (Peugeot).....	1	
24584DA.....	Planet, 4L30E W/10 1/8" Output Shaft 2wd (4 Gear)(46 Teeth Sun Gear # 614) 1989-Up.....	1	
24584E.....	Planet, 4L30E W/8" Output Shaft 4X4 (4 Gear)(46 Teeth Sun Gear # 614) 1989-Up.....	1	8-94450-758-0
24584EK.....	Planet Kit, 4L30E W/8" Output Shaft 4X4 (4 Gear)(46 Teeth Sun Gear # 614) 1989-Up (Contains: # 584,612,614, & 594).....	1	
24584EA.....	Planet, 4L30E W/8 3/8" Output Shaft 4X4 (4 Gear)(42 Teeth Sun Gear # 614) 1989-Up.....	1	
24584G.....	Planet, 4L30E W/11 1/2" Output Shaft (4 Gear)(42 Teeth Sun Gear # 614) 1989-Up (With .550"OD Pilot On Raer Of Shaft)(Bolt On Yoke).....	1	
24584GA.....	Planet, 4L30E W/11 1/2" Output Shaft (4 Gear)(46 Teeth Sun Gear # 614) 1989-Up (.550"OD Pilot On Rear Of Shaft)(Bolt On Yoke).....	1	
24584GB.....	Planet, 4L30E W/11 1/2" Output Shaft (4 Gear)(46 Teeth Sun Gear # 614) 1989-Up (.630"OD Pilot On Rear Of Shaft)(Bolt On Yoke).....	1	
24590.....	Ring Gear, 4L30E Overdrive Planet (31 Teeth Sun Gear # 610) 1989-Up.....	1	8-96014-202-0
24594.....	Ring Gear, 180/180C Planet (73 Teeth)(25 Teeth Sun Gear # 612) 1969-Up.....	1	8958696
24594E.....	Ring Gear, 180C/4L30E Rear Planet (90 Teeth)(30 Teeth Sun Gear # 612) 1989-Up.....	1	8-96014-576-0
24610.....	Sun Gear, 4L30E Overdrive Planet (31 Teeth) 1989-Up.....	1	8-96014-199-0
24612.....	Sun Gear, 180/180C W/Inner Race (25 Teeth) 1969-86.....	1	8958866
24612E.....	Sun Gear, 4L30E W/Inner Race (30 Teeth) W/Pilot 1989-Up.....	1	8-96014-073-0
24612EA.....	Sun Gear, 180C W/Inner Race (30 Teeth) No Pilot 1987-Up.....	1	
24614E.....	Sun Gear, 4L30E Rear (46 Teeth, W/Out Low Drum) 1989-Up.....	1	8-96016-037-0
24614EA.....	Sun Gear, 4L30E Rear (42 Teeth, W/Out Low Drum) 1989-Up.....	1	
24630.....	Center Support, 4L30E (Cast # 069 DD2)(W/1 Valve)(Uses a No Tab Washer # 211).....	1	8-96041-121-0
24630A.....	Center Support, 4L30E (Cast # 069 DD1)(W/2 Valves)(Uses a 3 Tab Washer # 211).....	1	
24630AA.....	Center Support, 4L30E (Cast # 069) (W/1 Valve)(Uses a 3 Tab Washer # 211).....	1	
24630B.....	Center Support, 4L30E (Cast # 513 FU)(W/2 Valves)(Uses a No Tab Washer # 211).....	1	
24630BA.....	Center Support, 4L30E (Cast # 513 FU)(W/1 Valve)(Uses a No Tab Washer # 211).....	1	
24630BC.....	Center Support, 4L30E (Cast # 513 FU)(W/1 Valve)(Uses a 3 Tab Washer # 211).....	1	
24630BD.....	Center Support, 4L30E (Cast # 513) (W/2 Valves)(Uses a 3 Tab Washer # 211).....	1	
24631.....	Plate, 4L30E Overdrive Case to Center Support 1989-Up.....	1	8-96041-091-0

PART #	SPRAGS & ROLLER CLUTCHES	QTY.	REFERENCE #
54650B.....	Sprag, 4L30E Overdrive 1989-Up.....	1	8634049
24654.....	Sprag, 180 3rd Clutch (16 Elements) 1969-Up.....	1	5258546
24654A.....	Sprag, 180/180C/4L30E 3rd Clutch (26 Elements)(Use 74658) 1969-Up.....	1	
74658.....	Sprag, 180/180C/4L30E 3rd Clutch (26 Elements) 1969-Up.....	1	10121024

3L30 (180 / 180C) / 4L30E

RWD 3 & 4 Speed

PART #	HARD PARTS (Continued)	QTY.	REFERENCE #
24660	Inner Race, 4L30E Overdrive Sprag 1989-Up	1	8-08634-038-0
24665	Outer Race, 180/180C 3rd Clutch Sprag (.505" Thick) 1969-Up	1	5258351
24665E	Outer Race, 4L30E 3rd Clutch Sprag (.555" Thick) 1989-Up	1	
24665EA	Outer Race, 4L30E 3rd Clutch Sprag (.530" Thick) 1989-Up	1	
24673	Turbine Shaft, 4L30E (10 1/8" Long) (Without Check Valve) 1989-99	1	8-96014-366-0
24673A	Turbine Shaft, 4L30E (10 1/8" Long) (With Check Valve) 2000-Up	1	
24680	Governor, 180/180C 2 Bolt Type 1969-Up	1	
24680A	Governor, 180/180C 4 Bolt Type 1969-Up	1	8-96013-408-0
24681E	Electric Pick-Up, 4L30E (12 Lug) 1989-Up	1	8-96015-053-0
24681EA	Electric Pick-Up, 4L30E (12 Lug) With Hub & 2 Slots In Hub	1	
24685	Support, 180/180C Governor (W/Park Gear) 1969-Up	1	
24685E	Support, 4L30E Rear (1 Ring) 1989-Up	1	8-96015-410-0
24698E	Oil Baffle, 4L30E (Goes In The Overdrive Case Under The #631 Plate) (Plastic, Looks Like A Cork Screw)	1	
24740	Valve Body, 180 1969-80	1	
24740A	Valve Body, 180 Non Lock-Up (Chevy) 1981	1	
24740B	Valve Body, 180C Lock-Up 1982-Up	1	96040327
24740BA	Valve Body, 180C Lock-Up (W/out Plate)82-Up(Seperator Plate Bolts To The Transmission)	1	
24740E	Valve Body, 4L30E (W/3 Solenoids) 1989-Up	1	8-96015-467-0
24744	Aux. Valve Body, 4L30E (Cast Iron) 1989-Up	1	
24744B	Aux. Valve Body, 4L30E (Alum) 1989-Up	1	
24750	Bell Housing, 180 (Chevette) 1969-80	1	
24750A	Bell Housing, 180/180C (Chevette) 1981-Up	1	96013240
24750B	Bell Housing, 180C (Isuzu, Trooper) 1981-Up	1	
24750C	Bell Housing, 4L30E (Top Bolts 4 7/8")(Passenger Side Starter) 1989-Up	1	
24750E	Bell Housing, 4L30E (Top Bolts 5 1/8")(Drivers Side Starter)(W/1 Threaded Boss Under Starter, With A 2" X 4 1/2" Window At The Bottom)	1	8-96016-611-0
24750EA	Bell Housing, 4L30E (Top Bolts 5 1/8")(Drivers Side Starter)(W/1 Threaded Boss Under Starter & 1 Threaded Boss on Bottom Towards Center of Bell)	1	
24750EB	Bell Housing, 4L30E (Top Bolts 5 1/8") Drivers Side Starter (With 1 Threaded Boss Under Starter)(With A 2" x 4 1/2" Window At The Bottom)(Cast # N.EX. On Pump Side)(Uses A Two Valve Pump)	1	
24750EC	Bell Housing, 4L30E (Top Bolts 5 1/8") Drivers Side Starter (With 1 Threaded Boss Under Starter)(With A 2" x 4 1/2" Window At The Bottom)(Cast # N.EX. On Pump Side)(Uses A Four Valve Pump)	1	
24750G	Bell Housing, 4L30E (Top Bolts 4 7/16")(Drivers Side Starter At 1:00)(BMW)(Cast # 96016284)	1	
24750GA	Bell Housing, 4L30E (Top Bolts 4 7/16")(Drivers Side Starter At 1:00)(BMW)(Cast # 96017562)	1	
24760	Case, 180 (Opel & Chevette) 1969-80	1	
24760A	Case, 180 Non Lock-Up (Chevette) 1981	1	
24760B	Case, 180C Lock-Up (Chevette)1982-Up (Shift Lever Is On The Drivers Side)	1	96013451
24760BA	Case, 180C Lock-Up (Post Office Vehicle)	1	
24760BB	Case, 180C Lock-Up (Tracker/Rodeo)(Shift Lever Is On The Passengers Side)(With 3 Bolt Shield Around Governor Bore)	1	
24760E	Case, 4L30E (Case Connector Hole Is .870"ID On Drivers Side)(With Dipstick Hole On Passengers Side) 1989-Up	1	8-96041-007-0
24760EA	Case, 4L30E (Case Connector Hole Is 1.040"ID On Passengers Side)	1	
24760EC	Case, 4L30E (Case Connector Hole Is 1.040"ID On Drivers Side) (Has No Dipstick Hole) (Linkage Is On Drivers Side)	1	
24760EF	Case, 4L30E (Case Connector Hole Is 1.060"ID On Drivers Side)(Has No Dipstick Hole) (Linkage Is On Drivers Side)	1	
T-Servo-Fix	Servo Pin Bore Reaming Fixture, 180/180C/4L30E (Sonnax)	1	
24762	Overdrive Case, 4L30E (Cast # 96014955) 1989-Up	1	8-96041-192-0
24762A	Overdrive Case, 4L30E (Cast # 96017506)(W/Hole For Electrical Connector) 1989-Up	1	
24762AA	Overdrive Case, 4L30E (Cast # 96017506)(No Electrical Connector Hole) 1989-Up	1	
24762B	Overdrive Case, 4L30E (BMW)(Uses A 3-4 Accumulator Cover That Has No O-Ring Grooves) (Has 2 O-Ring Grooves In The Accumulator Bore)	1	
24765	Pan, 180/180C Bottom 1969-up	1	
24765E	Pan, 4L30E Bottom (Rear)(No Drain Plug) 1989-Up	1	8-96016-562-0
24765EA	Pan, 4L30E Bottom (Rear)(W/2 Drain Plugs)(Isuzu)	1	
24765EB	Pan, 4L30E Bottom (Rear)(W/2 Drain Plugs)(BMW)	1	
24766	Pan, 4L30E Overdrive Case (Front) 1989-Up	1	8-96014-186-0
24770	Extension Housing, 180/180C (Chevette) 1969-Up	1	96013753
24770A	Extension Housing, 180C (9" Long)(Post Office Vehicle)	1	
24770AG	Extension Housing, 180C (7 3/8" Long)(1 Bolt Mount)(Tracker)	1	
24770D	Extension Housing, 4L30E 2WD (4 5/8" Long)(Bearing Type, W/Speed Sensor on Top)	1	
24770DA	Extension Housing, 4L30E 2WD (4 5/8" Long)(Bearing Type, W/Speed Sensor on Drivers Side)	1	
24770E	Extension Housing, 4L30E 4X4 (Isuzu)(Cast # 9601527G) 1989-Up	1	

24770EA	Extension Housing, 4L30E 4X4 (2 13/16" Thick)(Cast # 98015270) 1989-Up	1	
24770EB	Extension Housing, 4L30E 4X4 (2 1/2" Thick)(Cast # 96014096) 1989-Up	1	
44774	Speed-O Housing, 180/180C 7/8" Steel (For Metal Clad Seal) 1969-Up	1	25513247
44774A	Speed-O Housing, 180/180C 7/8" Aluminum (For Rubber Seal) 1970-Up	1	345215
34797B	Nut, 180/180C Holds External Shift Lever On (Metric) 1969-Up	1	
24842	Bracket, 180/180C Speed-O Gear Housing 1969-Up	1	
24847	Gear, 180/180C Speed-O Drive 1969-Up	1	90064073
24847EA	Gear, 4L30E Speed-O Drive (7 Teeth) Plastic (With 2 Ears) Drives Off Of The 24681EA	1	
24848	Gear, 180/180C Speed-O Driven 1969-Up	1	
24849	Clip, 180/180C Speed-O Gear 1969-Up	1	1373122
24851	Cushion, 4L30E Overrun Clutch 1989-Up	1	
24852	Cushion, 180/180C/4L30E 2nd Clutch 1969-Up	1	5258990
24854	Cushion, 180/180C/4L30E Reverse Clutch 1969-Up	1	5258989
24858	Cushion, 180/180C 3rd Clutch 1969-Up	1	8958678
24858E	Cushion, 4L30E 3rd Clutch 1989-Up	1	
24862	Snap Ring, 4L30E Holds 4th Clutch Retainer to Overdrive Case 1989-Up	1	8-08634-023-0
24863	Snap Ring, 4L30E Holds Overrun Pressure Plate in Drum 1989-Up	1	8-08634-056-0
24865	Snap Ring, 4L30E Holds Overdrive Sprag Inner Race To Overrun Drum 1989-Up	1	8-08634-274-0
24872	Snap Ring, 180/180C/4L30E Holds Apply Ring to 2nd Drum 1969-Up	1	8958619
24874	Snap Ring, 180/180C/4L30E Holds Retainer to 2nd Drum 1969-Up	1	5258093
24878	Snap Ring, 180/180C/4L30E Holds Outer Race to 3rd Drum 1969-Up	1	8958684
24879	Snap Ring, 180/180C/4L30E Holds Retainer to 3rd Drum 1969-Up	1	5258094
24880	Snap Ring, 4L30E Holds Overdrive Planet to Turbine Shaft 1989-Up	1	8-96014-389-0
44887	Snap Ring, 180/180C Holds Seal to Speed-O Housing 1969-Up	1	
24893	Snap Ring, 180/180C Holds Reverse Spring Retainer to Stator 1969-Up	1	5258093
24893E	Snap Ring, 4L30E Holds Reverse Spring Retainer to Overdrive Case 1989-Up	1	
24894	Snap Ring, 180/180C Holds Governor Support to Output Shaft 1969-Up	1	5258116
24894E	Snap Ring, 4L30E Holds Governor Support To Output Shaft 1989-Up	1	
24895	Snap Ring, 4L30E Holds Electric Pick-Up to Output Shaft 1969-Up	1	8-96015-123-0
24896	Snap Ring, 180/180C Holds Low Servo Piston In 1969-Up	1	
24896E	Snap Ring, 4L30E Holds Low Servo Piston In 1989-Up	1	
24899E	Snap Ring, 4L30E Holds 4th Accumulator In Overdrive Case 1989-Up	1	
24905	Servo Assembly, 180/180C Low Band 1969-up	1	96040116
24905E	Servo Assembly, 4L30E Low Band 1989-up	1	
24906	Spring, 180/180C Low Servo 1969-Up	1	
24906E	Spring, 4L30E Low Servo 1989-Up	1	
24907	Piston, 180/180C Low Servo 1969-Up	1	5258569
24907E	Piston, 4L30E Low Servo 1989-Up	1	8-08958-796-0
24909	Cover, 180/180C Low Servo 1969-Up	1	5258153
24909E	Cover, 4L30E Low Servo 1989-Up	1	8-96014-413-0
S24928-1K	Accumulator Pin Kit, 180/180C/4L30E 1-2 (Contains: 4 Oversized Pins, 8 E-Clips & 4 Piston Seals)(Sonnax)(No Reamer)	1	
S24928K	Accumulator Pin Kit, 180/180C/4L30E 1-2 (Contains: 1 Reamer, 10 Oversized Pins, 20 E-Clips, 10 Piston Seals)(Sonnax)	1	
24935	Accumulator Assembly, 4L30E 3-4 (With Aluminum Cover With O-Ring Groove)	1	
24935A	Accumulator Assembly, 4L30E 3-4 (With Bonded Cover)	1	
24935B	Accumulator Assembly, 4L30E (BMW) 3-4 (With Aluminum Cover With No O-Ring Grooves)	1	
24939A	Cover, 4L30E 3-4 Accumulator (Bonded Rubber) 1994-Up	1	
24958	Apply Ring, 180/180C 2nd Clutch (2 1/8" Tall) 1969-Up	1	5258965
24958D	Apply Ring, 4L30E 2nd Clutch (1 3/8" Tall) 1989-Up	1	
24958E	Apply Ring, 4L30E 2nd Clutch (1 1/2" Tall) 1989-Up	1	8-08958-937-0
24958EA	Apply Ring, 4L30E 2nd Clutch (1 7/8" Tall) 1989-Up	1	
24960	Piston, 4L30E 4th Clutch 1989-Up	1	8-96014-928-0
24961	Piston, 4L30E Overrun Clutch (Bonded) 1989-Up	1	8-96014-577-0
24962	Piston, 180/180C 2nd Clutch (1.540" Overall Thickness)1969-Up	1	5258109
24962A	Piston, 180/180C/4L30E 2nd Clutch (1.250" Overall Thickness) 1969-Up	1	
24965	Piston, 180/180C 3rd Clutch 1969-Up	1	96040423
24966	Piston, 180/180C Reverse Clutch (1 1/2" Thick) 1969-Up	1	5258971
24966A	Piston, 180/180C Reverse Clutch (1 5/8" Thick) 1969-Up	1	
24966E	Piston, 4L30E Reverse Clutch (1 5/16" Thick) 1989-Up	1	96040355
24970	Retainer W/Spring, 4L30E 4th Clutch Return 1989-Up	1	8-08635-244-0
24971	Spring, 4L30E Overrun Clutch Return 1989-Up	1	8-96014-902-0
24972	Spring, 180/180C/4L30E 2nd Clutch Return 1969-Up	1	8958719
24975	Spring, 180/180C/4L30E 3rd Clutch Return 1969-Up	1	
24976	Spring, 180/180C Reverse Clutch Return 1969-Up	1	
24976E	Spring, 4L30E Reverse Clutch Return 1989-Up	1	8-08958-719-0
24981	Retainer, 4L30E Overrun Clutch Spring 1989-Up	1	8-96014-901-0
24982	Retainer, 180/180C/4L30E 2nd Clutch Spring 1969-Up	1	5258038
24985	Retainer, 180/180C/4L30E 3rd Clutch Spring 1969-Up	1	5258039

3L30 (180 / 180C) / 4L30E

RWD 3 & 4 Speed

PART #	HARD PARTS (Continued)	QTY.	REFERENCE #
24986	Retainer, 180/180C Reverse Clutch Spring 1969-Up	1	96040351
24986E	Retainer, 4L30E Reverse Clutch Spring 1989-Up	1	
24991	Linkage Assembly, 180/180C Internal 1969-Up	1	
24991E	Linkage Assembly, 4L30E Internal 1989-Up	1	
24995	Park Pawl W/Spring, 180/180C 1969-Up	1	90064258
24995E	Park Pawl W/Spring, 4L30E 1989-Up	1	
24999	Oil Tube Set, 180/180C 1969-Up	1	



