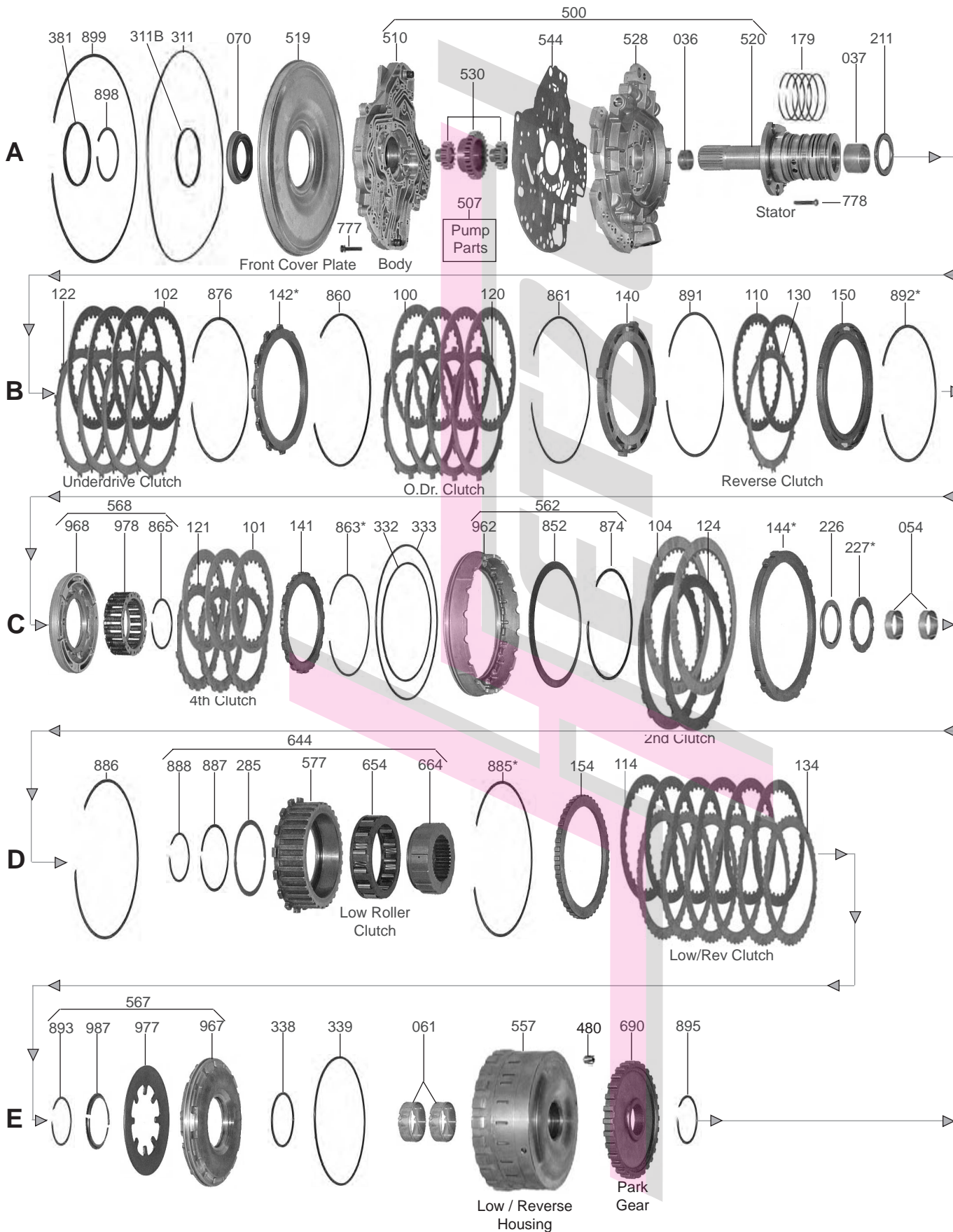


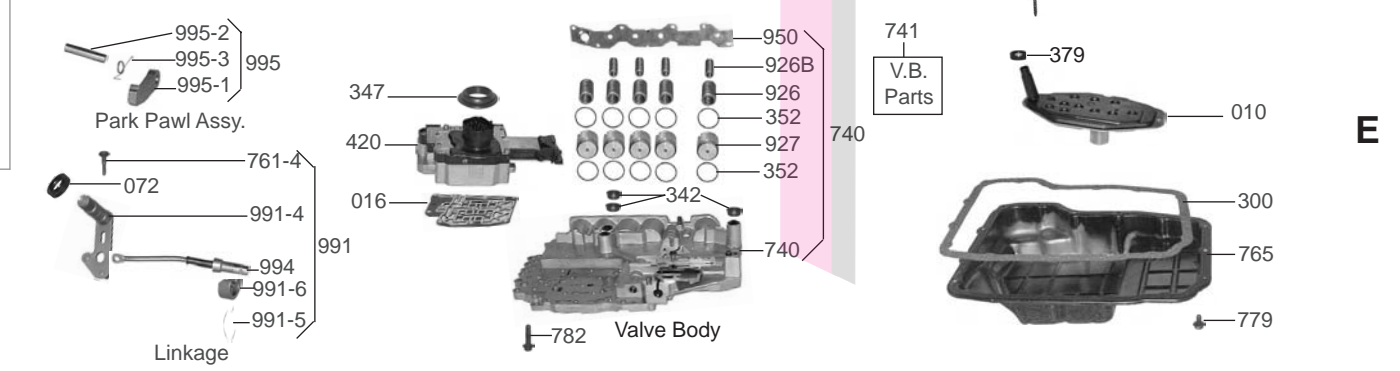
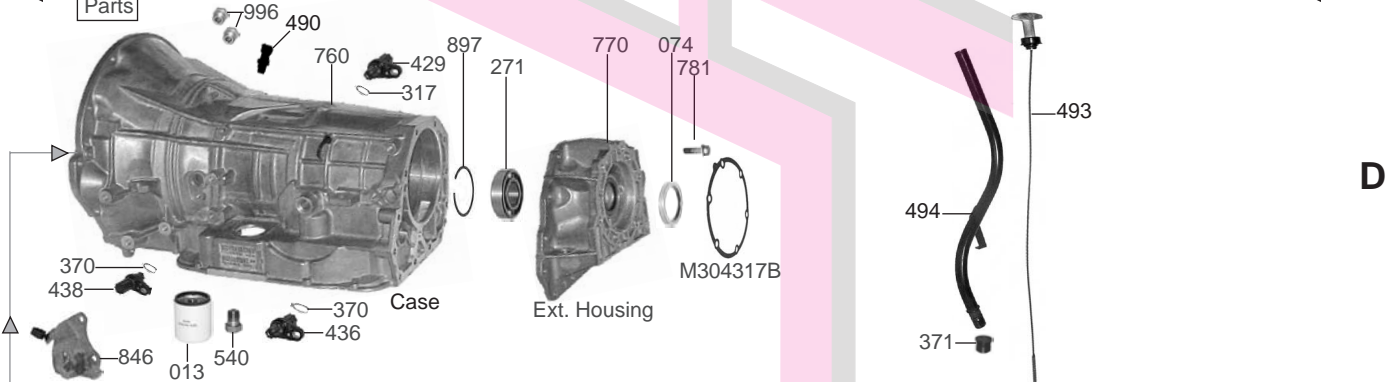
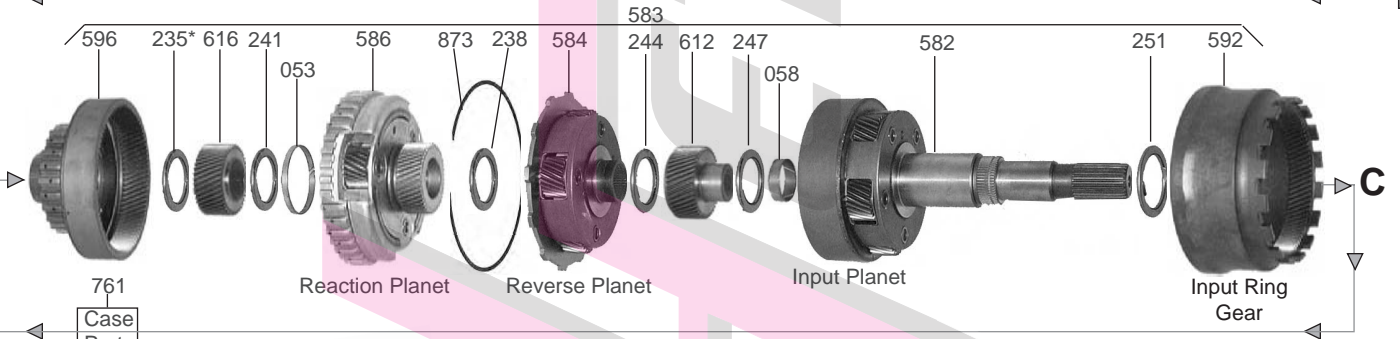
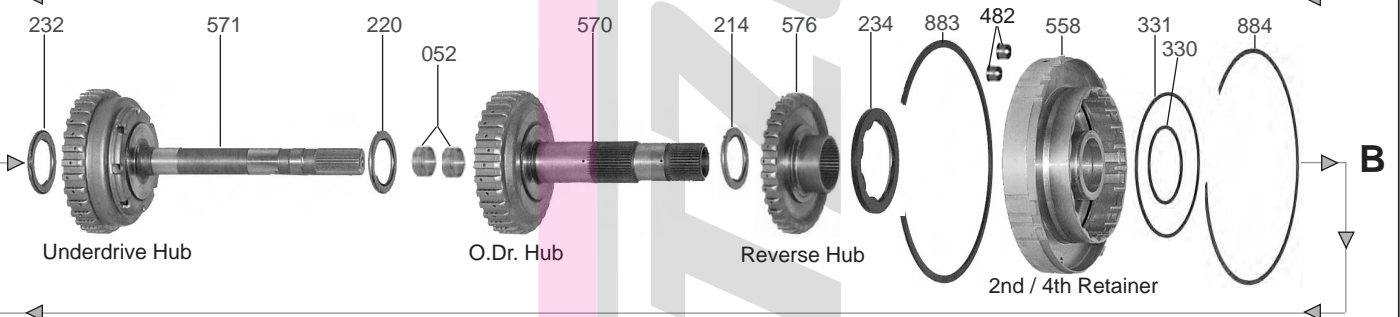
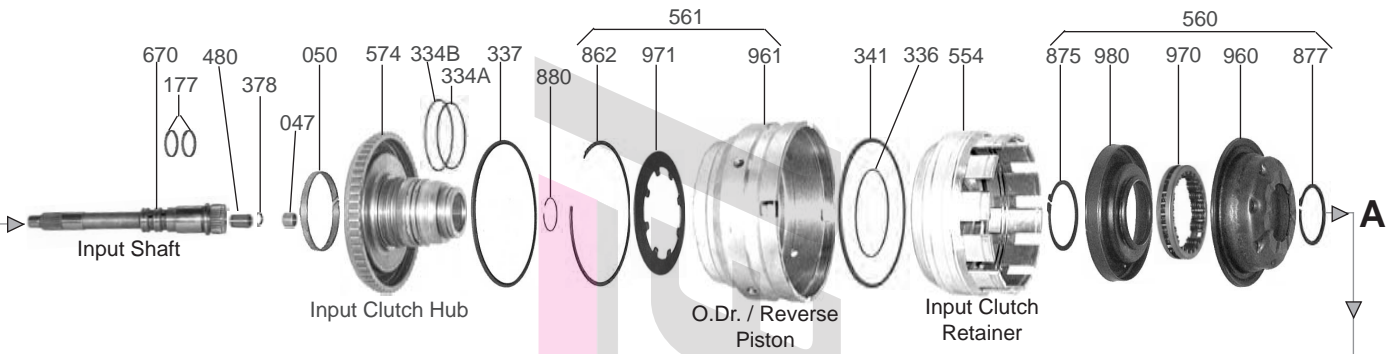
45RFE / 5-45RFE / 68RFE

RWD 4, 5 & 6 Speeds

CHRYSLER



- 002
OHK Kit
- 004
Master L/Steels Kit
- 006
Master W/Steels Kit
- 011
Filter Kit
- 030
Bushing Kit
- 119
Friction Module
- 139
Steel Module
- 175
Ring Kit
- 400
Tech Manual



45RFE / 5-45RFE / 68RFE

RWD 4, 5 & 6 Speeds

CHRYSLER

PART #	OVERHAUL KITS	QTY	REFERENCE #
72002AF	Overhaul Kit, 45RFE/5-45RFE 1999-03 (Farpak)(For Bonded Pistons Sell D72960AK)	1	
72002AAF	Overhaul Kit, 5-45RFE 2004-Up (For Bonded Pistons Sell D72960AK)(Farpak)	1	
72002CF	Overhaul Kit, 68RFE 2007-Up (For Bonded Pistons Sell A72960CK)	1	

PART #	MASTER L/STEEL KIT	QTY	REFERENCE #
72004AF	Master L/Steels Kit, 45RFE/5-45RFE 1999-03 (Farpak) (For Bonded Pistons Sell One D72960AK)	1	
72004AAF	Master L/Steels Kit, 5-45RFE 2004-Up (For Bonded Pistons Sell D72960AK)(Farpak)	1	
72004CF	Master L/Steels Kit, 68RFE 2007-Up (For Bonded Pistons, Sell A72960CK)	1	

PART #	MASTER W/STEEL KIT	QTY	REFERENCE #
72006AF	Master W/Steels Kit, 45RFE/5-45RFE 1999-03 (Farpak) (For Bonded Pistons Sell One D72960AK)	1	
72006AAF	Master W/Steels Kit, 5-45RFE 2004-Up (For Bonded Pistons Sell D72960AK)(Farpak)	1	
72006CF	Master W/Steels Kit, 68RFE 2007-Up (For Bonded Pistons, Sell A72960CK)	1	

PART #	FILTER	QTY	REFERENCE #
72010A	Filter, 45FE/68RFE 2WD 199-Up (Sell 7379A Boot Also)	1	4800029AA
72010AD	Filter, 45RFE/68RFE 4x4 1999-Up (Sell 72379A Boot Also)	1	5013470AB



PART #	FILTER KIT	QTY	REFERENCE #
72011A	Filter Kit, 45RFE/68RFE 2WD 1999-Up (Cork)	1	
72011AF	Filter Kit, 45RFE/68RFE 2WD 1999-Up (Farpak)	1	
72011AD	Filter Kit, 45RFE/68RFE 4x4 1999-Up (Cork)	1	
72011ADF	Filter Kit, 45RFE/68RFE 4x4 1999-Up (Farpak)	1	

PART #	MISC. FILTERS	QTY	REFERENCE #
72013A	Filter, 45RFE/68RFE Cooler (Spin-On) 1999-Up	1	4799662
72016A	Filter, 45RFE/5-45RFE Solenoid Assembly 1999-03	1	
72016B	Filter, 45RFE/5-45RFE/68RFE Solenoid Assembly 2004-Up	1	

PART #	BUSHINGS	QTY	REFERENCE #
72030A	Bushing Kit, 45RFE 1999-Up	1	
72030C	Bushing Kit, 68RFE 2007-Up	1	
72036A	Bushing, 45RFE Stator (Front) (.790" Wide, 1.065"OD, .965"ID) 1999-Up	1	
72037A	Bushing, 45RFE/68RFE Stator (Rear) (.770" Wide, 1.520"OD, 1.400"ID) 1999-Up	1	
72047A	Bushing, 45RFE Input Shaft (Rear) (Babbit) (.510" Wide, .825"OD, .705"ID) 1999-Up	1	
72047C	Bushing, 68RFE Input Shaft (Rear) (Bronze) (.510" Wide, .825"OD, .705"ID) 2007-Up	1	
72050A	Bushing, 45RFE/68RFE Input Clutch (.375" Wide, 2.910"OD, 2.725"ID) 1999-Up	1	
72052A	Bushing, 45RFE/68RFE Overdrive Hub (Front) (.790" Wide, 1.105"OD, 1.005"ID) 1999-Up	1	
72052AA	Bushing, 45RFE/68RFE Overdrive Hub (Rear) (.770" Wide, 1.025"OD, .960"ID) 1999-Up	1	
72053A	Bushing, 45RFE Reaction Planet (.555" Wide, 1.505"OD, 1.390"ID) 1999-Up	2	
72053C	Bushing, 68RFE Reaction Planet (1.550"ID) 2007-Up	2	
72054A	Bushing, 45RFE/68RFE Reaction Planet Ring Gear (.555" Wide, 1.71"OD, 1.530"ID) 1999-Up	2	
72058A	Bushing, 45RFE/68RFE Input Planet (.435" Wide, 1.540"OD, 1.425"ID) 1999-Up	1	
72061A	Bushing, 45RFE Low/Reverse Clutch Housing (.515" Wide, 2.030"OD, 1.955"ID) 1999-Up	2	
72061C	Bushing, 68RFE Low/Reverse Clutch Housing (.550" Wide, 2.020"OD, 1.915"ID) 2007-Up	2	
36066T	Bushing, 45RFE 2WD Extension Housing (1.690"ID)(Teflon Coated)	1	

PART #	METAL CLAD SEALS	QTY	REFERENCE #
72070A	Seal, 45RFE/5-45RFE Front 1999-5/07	1	4617919
72070C	Seal, 68RFE Front 2007-Up	1	
72072A	Seal, 45RFE Manual Lever 1999-Up (Mopar OE)	1	
36074	Seal, 45RFE Rear 2WD W/Out Boot 1999-Up	1	3515383
72074A	Seal, 45RFE Rear 4X4 (2.680"OD) 1999-Up	1	4167929
72074CA	Seal, 68RFE Rear 4x4 (2.665"OD) 2007-Up	1	

PART #	FRICITION CLUTCH	QTY	REFERENCE #
72100A	Friction, 45RFE Overdrive Clutch (High Energy) 1999-Up	4	4799114
72100C	Friction, 68RFE Overdrive Clutch (.052")(32 Internal Teeth)(1 Sided)(6 3/8"OD) 2007-Up	6	
72101A	Friction, 45RFE/68RFE 4th Clutch (.090") 24 Teeth (High Energy) 1999-Up	3	4799530
72102A	Friction, 45RFE Underdrive Clutch 1999-Up	4	4799106
72102C	Friction, 68RFE Underdrive Clutch (.057")(32 Internal Teeth)(1 Sided)(6 3/8"OD) 2007-Up	5	
72104A	Friction, 45RFE/68RFE 2nd Clutch (.090")(40 Teeth)(High Energy) 1999-Up	2-3	4799244
72110A	Friction, 45RFE/68RFE Reverse Clutch (High Energy) 1999-Up	2	4799757
72114A	Friction, 45RFE Low/Reverse Clutch (High Energy) 1999-Up	6-7	4799461AB
72114C	Friction, 68RFE Low/Reverse Clutch (.062")(48 Internal Teeth)(1 Sided) 2007-Up	6-7	
72119A	Friction Module, 45RFE (High Energy) 1999-Up	1	

PART #	STEEL CLUTCH	QTY	REFERENCE #
72120A	Steel, 45RFE Overdrive Clutch (.086") (12 Teeth) (5.400"OD) 1999-Up	3	4799398AB
72120C	Friction, 68RFE Overdrive Clutch (.052")(12 External Teeth)(1 Sided)(5.440"ID) 2007-Up	6	
72121A	Steel, 45RFE/68RFE 4th Clutch (.100") (20 Teeth) (4.235"ID) 1999-Up	3	4799529
72122A	Steel, 45RFE Underdrive & Reverse Clutch (.067") (12 Teeth Notched) (5.400"ID) 1999-Up	5	4799105AB
72122C	Friction, 68RFE Underdrive Clutch (.057")(12 External Teeth)(1 Sided)(5.440"ID) 2007-Up	5	
72124A	Steel, 45RFE/68RFE 2nd Clutch (.127") (10 Teeth) (6.750"ID) 1999-Up	2-3	4799243
72130A	Use 72122A	1	4799105AB
72134A	Steel, 45RFE Low/Reverse Clutch (.068") (45 Teeth) (5.690"ID) 1999-Up	6	4799460
72134C	Friction, 68RFE Low/Reverse Clutch (.062")(45 External Teeth)(1 Sided) 2007-Up	6	
72139A	Steel Module, 45RFE 1999-Up	1	

PART #	CLUTCH PRESSURE PLATES	QTY	REFERENCE #
72140A	Pressure Plate, 45RFE/68RFE Overdrive Clutch (.390") (4 Teeth, 12 Slots) 1999-Up	1	4799116
72141A	Pressure Plate, 45RFE/68RFE 4th Clutch (.196") (20 Teeth) (4.242"ID) 1999-Up	1	4799533
72142A	Pressure Plate, 45RFE Underdrive Clutch (12 Teeth)(.125") 1999-Up	1	4799108AB
72142AA	Pressure Plate, 45RFE Underdrive Clutch (12 Teeth)(.145") 1999-Up	1	4799109AB
72142AB	Pressure Plate, 45RFE Underdrive Clutch (12 Teeth)(.280") 1999-Up	1	4799107AB
72142C	Pressure Plate, 68RFE Underdrive Clutch (12 Teeth)(.342") 2007-Up	1	
72144A	Pressure Plate, 45RFE/68RFE 2nd Clutch (Selective)(10 Teeth) (6 15/16"ID) 1999-Up	1	4799687AB
72150A	Pressure Plate, 45RFE Reverse Clutch (No Teeth) (.340" At Edge) 1999-Up	1	4799121
72150C	Pressure Plate, 68RFE Reverse Clutch (No Teeth) (.265" At Edge) 2007-Up	1	
72154A	Pressure Plate, 45RFE Low/Reverse Clutch (45 Teeth) (.313") (5.690"ID) 1999-Up	1	4799667
72154C	Pressure Plate, 68RFE Low/Reverse Clutch (45 Teeth) (.310") (5.780"ID) 2007-Up	1	

PART #	V.B. KITS	QTY	REFERENCE #
T72165A	Shift Kit, 45RFE/5-45RFE/68RFE 1999-08 (Transgo) (Has A Heavy Duty Accumulator Cover Plate #950)	1	
T72169A	Reprogramming Kit, 45RFE/5-45RFE/68RFE Heavy Duty & High Performance 1999-08 (Transgo)	1	

PART #	OIL SEALING RINGS	QTY	REFERENCE #
72175	Ring Kit, 45RFE	1	
72177AT	Ring, 45RFE Input Shaft (1.255"OD)(Teflon) 1999-Up	2	
72177CT	Ring, 68RFE Input Shaft (1.375"OD)(Teflon) 2007-Up	2	
72179A	Ring, 45RFE/68RFE Stator 1999-Up	5	
72191AT	Ring, 45RFE Accumulator (Takes 10 Per Transmission) (Teflon) 1999-Up	10	

PART #	WASHERS & BEARINGS	QTY	REFERENCE #
72211A	Thrust Bearing, 45RFE/68RFE Pump To Input Clutch Hub (.150" Thick)(2.364"OD)(1.645"ID) 1999-Up (Also Fits 45RFE/68RFE #232, 220, 235, 241, 214)(Also Fits 45RFE # 238, 244, 247)	1-9	4799469
72214A	Bearing W/Races, 45RFE/68RFE Overdrive Hub To Reverse Hub (Use U72211A)	1	
72220A	Bearing W/Races, 45RFE/68RFE Underdrive Hub To Overdrive Hub (Use 72211A)	1	

45RFE / 5-45RFE / 68RFE

RWD 4, 5 & 6 Speeds

CHRYSLER

PART #	WASHERS & BEARINGS (Continued)	QTY	REFERENCE #
72226A	Bearing, 45RFE/68RFE 2-4 Drum To Ring Gear Hub (2 Tabs)(.150" Thick)(2.663"OD) (1.945"ID)		
	1999-Up (Also Fits 45RFE Input Planet Rear #251)	1-2	4799459
72227A	Washer, 45RFE/68RFE 2-4 Drum To Ring Gear Hub (Selective)(3 Notches)(3.020"OD)		
	(2.152"ID) 1999-Up	1	
72232A	Bearing W/Races, 45RFE/68RFE Input Clutch Hub To Underdrive Hub (Use 72211A)	1	
72234A	Bearing, 45RFE/68RFE Reverse Hub To Drum (.240" Thick)(3.950"ID) 1999-Up	1	4799936AB
72235A	Bearing W/Races, 45RFE/68RFE Reaction Planet Ring Gear To Reaction Sun Gear		
	(Use 72211A)	1	
72238A	Bearing W/Races, 45RFE Reaction Planet To Reverse Planet (Use 72211A)	1	
72238C	Bearing W/Races, 68RFE Reaction Planet Sun Gear To Reverse Planet (.208" Thick)(2.705"OD)		
	(1.935"ID) 2007-Up (Also Fits 68RFE Input Planet (Rear) #251)	1-2	
72241A	Bearing W/Races, 45RFE/68RFE Reaction Sun Gear To Reaction Planet (Use 72211A)	1	
72244A	Bearing W/Races, 45RFE Reverse Planet To Input Sun Gear (Use 72211A)	1	
72244C	Bearing W/Races, 68RFE Reverse Planet To Input Sun Gear (.225" Thick)(2.475"OD)(1.530"ID)		
	2007-Up	1	
72247A	Bearing W/Races, 45RFE Input Planet Sun Gear To Input Planet (Use 72211A)	1	
72247C	Bearing W/Races, 68RFE Input Sun Gear To Input Planet (Stays In Planet) 2007-Up	1	
72251A	Bearing W/Races, 45RFE Input Planet (Rear)(Use 72226A)	1	
72251C	Bearing W/Races, 68RFE Input Planet (Rear)(Use 72238C)	1	
72271A	Ball Bearing, 45RFE (4x4) Extension Housing (.668" Thick)(2.835"OD)(1.375"ID)(Cast # 6208A30)		
	1999-Up (Also Fits 45RFE (2WD) Extension Housing Rear)	1	2466224
72271B	Ball Bearing, 45RFE (2WD) Extension Housing (Front)(.825" Thick)(3.935"OD)(2.165"ID)		
	(10 Balls)(Cast # SKF 6211/C3) 1999-Up	1	
72271C	Ball Bearing, 68RFE Extension Housing (.705" Thick)(3.150"OD)(1.573"ID)(Cast # China Peer		
	6208) 2007-Up	1	
72285A	Shim, 45RFE Low/Sprag (3.930"OD)(.040" Thick)(1 Inner Tab) 1999-Up	1	
72285C	Shim, 68RFE Low Sprag (.030" Thick)(4.405"OD)(3.270"ID)(3 Long Slots) 2007-Up	2	

PART #	GASKETS & RUBBER COMPONENTS	QTY	REFERENCE #
72300A	Gasket, 45RFE/5-45RFE/68RFE Pan (Cork) 1999-Up	1	
72300AF	Gasket, 45RFE/5-45RFE/68RFE Pan (Farpak) 1999-Up	1	
72311A	O-Ring, 45RFE/5-45RFE Front Plate Cover (Outer) 1999-Up	1	4799003
72311B	O-Ring, 45RFE/5-45RFE Front Plate Cover (Inner) 1999-Up	1	
72332A	D-Ring, 45RFE/5-45RFE 2nd Clutch Piston (Inner) 1999-Up	1	
74333A	D-Ring, 45RFE/5-45RFE 2nd Clutch Piston (Outer) 1999-Up	1	
72342A	Seal, 45RFE Valve Body Clutch Feed (3 Per Transmission) 1999-Up	3	
72371A	Seal, 45RFE/68RFE Filler Tube 1999-Up	1	
72379A	Seal, 45RFE/68RFE Filter Neck (Must Sell This With 72010A & 72010AD) 1999-Up	1	4799964AB
72381A	O-Ring, 45RFE/5-45RFE Converter Hub To Pump Body 1999-Up	1	

PART #	TECHNICAL MANUALS	QTY	REFERENCE #
72400A	Technical Manual, 45RFE (Chrysler RWD) 1999-Up (ATSG)	1	45RFE
A72400A	Rebuild Manual, 45RFE Rebuild Procedures (ATRA)	1	

PART #	ELECTRICAL COMPONENTS	QTY	REFERENCE #
72420A	Solenoid Assembly, 45RFE/5-45RFE (23 Prong Connector) 1999-03 (Rebuilt)	1	4799934AC
72420B	Solenoid Assembly, 45RFE/5-45RFE/68RFE (23 Prong Connector) 2004-Up (This Is Updated)		
	(For 1999-03 Sell D72991-3 Also)	1	
72429A	Sensor, 45RFE/68RFE Line Pressure Transducer (3 Prong Double O-Rings) (On Passenger		
	Side Towards Rear Of Case) 1999-Up	1	4799758
72436A	Use 72438A	1	4799061
72438A	Speed Sensor, 45RFE/68RFE Input & Output 1999-Up	2	4799061
S72445A	Wire Harness, 45RFE/5-45RFE With Line Pressure Booster (Sonnax) Goes Between Line		
	Pressure Transducer & Wire Harness)	1	
S72445C	Wire Harness, 68RFE With Line Pressure Booster (Sonnax) Goes Between Line Pressure		
	Transducer & Wire Harness)	1	
72480A	Ball & Capsule, 45RFE Drainback Check Valve 1999-Up (Inside Input Shaft (Rear)	1	
44490	Case Vent Tube, 45RFE/68RFE	1	

PART #	HARD PARTS	QTY	REFERENCE #
72500A	Complete Pump, 45RFE (1st Design) (With S72507FK Already Installed)(Uses A Front Seal In		
	Body) (Can Use 72500AA or 72500AB)	1	
72500AA	Complete Pump, 45RFE (2nd Design) (With S72507FK Already Installed)(Uses A Front Seal In		
	Body) (Can Use 72500A or 72500AB)	1	

72500AB	Complete Pump, 45RFE/5-45RFE (3rd Design)(With S72507FK Already Installed)(Uses A Front Seal In Body)(Can Use 72500A or 72500AA)	1	
72500AC	Complete Pump, 45RFE/5-45RFE (With S72507FK Already Installed)(Front Seal Is Not In The Body, It Is In The Front Cover Plate #519) 5/2007-Up	1	
72500C	Pump Complete, 68RFE (Body Cast # 52119617AA) 2007-Up	1	

PART #	PUMP COMPONENTS	QTY	REFERENCE #
S72507C-1	Shuttle Valve, 45RFE/68RFE (Flat)(In The Pump Body, Under The Pump Plate) 1999-Up	1	
S72507CA-3	Spring, 45RFE TCC Accumulator (5 Per Pack) (Sonnax)	1	
S72507F-3K	Spring Set, 45RFE/68RFE Torque Converter Limit Valve Spring (5 Per Pack)(Sonnax) 1999-Up	1	
S72507FK	Valve & Sleeve Kit, 45RFE TC Limit Valve (Contains: Valve, Sleeve, Spring & Retainer Plate) (Must Use Tool #T-F-44912-TL & T-VB-Fix)	1	
T-F-44912-TL	Tool For S72507FK	1	
S72507F-3K	Spring Set, 45RFE/5-45RFE Torque Converter Limit Valve Spring (5 Per Pack) 1999-Up (Sonnax)	1	

PART #	HARD PARTS (Continued)	QTY	REFERENCE #
72510A	Pump Body, 45RFE/5-45RFE With 3 Gears (Uses A Front Seal) 1999-4/07	1	4799565
72510AC	Pump Body, 45RFE/5-45RFE With 3 Gears (Does Not Use A Front Seal In Body, It Is In The Front Cover Plate #519) 5/2007-Up	1	
72510C	Pump Body, 68RFE (.590" Thick Gears)(Hollow Outer Gears)(Cast # 52119617AA) 2007-Up	1	
72519A	Cover, 45RFE Front Plate (Has An Inner & Outer O-Ring) 1999-4/07	1	4799609
72519AA	Cover, 45RFE/5-45RFE Front Plate (Has An Outer O-Ring Only)(Comes With The O-Ring & Seal)	1	
72519C	Cover, 68RFE Front Plate (Has An Outer O-Ring Only, The Front Seal Presses Into This Cover) 2007-Up	1	
72520A	Stator Tube, 45RFE (7 5/8" Long) (With A Front Bushing) 1999-Up	1	4799580AB
72520C	Stator Tube, 68RFE (8 3/8" Long) (Without A Front Bushing) 2007-Up	1	
72528A	Stator Body, 45RFE (1st Design) (With S72507FK Already Installed)	1	4799576
72528AA	Stator Body, 45RFE (2nd Design) (With S72507FK Already Installed)	1	
72528C	Stator Body, 68RFE (Aluminum)(Cast # 04799578) 2007-Up	1	
72530A	Pump Gear Set, 45RFE (With 2 Lugs For Converter Hub) 1999-Up	1	
72530C	Pump Gear Set, 68RFE (With 4 Lugs For Converter Hub) 2007-Up	1	
72540A	By-Pass, 45RFE/68RFE Cooler (Screws In Case) 1999-Up	1	
72544A	Plate, 45RFE Pump Separator (For 1st & 2nd Design Stator Body #528)	1	
72544AB	Plate, 45RFE/5-45RFE Pump Separator (For 3rd Design Stator Body #528)	1	
72544C	Plate, 68RFE Separator Pump 2007-Up	1	
72554A	Drum, 45RFE/68RFE Input (Aluminum) (12 Notches) (7 3/16"OD) 1999-Up	1	4799648
72557A	Drum, 45RFE Low/Reverse Clutch (24 Slots) (24 Lugs) 2 Bushings (6 Clutch)(Uses An Aluminum Piston) 1999-Up	1	4799635
72557C	Drum, 68RFE Low/Reverse Clutch (24 Slots) (24 Lugs) 2 Bushings (7 Clutch)(Uses A Bonded Piston) 2007-Up	1	
72558A	Drum, 45RFE 2-4 Clutch (3 Clutch) Aluminum (10 Outer Lugs) Cast #4799517 (Uses An Aluminum Piston # 968) 1999-Up	1	4799498
72558C	Drum, 68RFE 2-4 Clutch (3 Clutch)(Uses A Bonded Piston #968) 2007-Up	1	
72560A	Piston Kit, 45RFE/68RFE Underdrive Clutch (2 Bonded Pistons) 1999-Up	1	
72562A	Piston Kit, 45RFE 2nd Clutch (Aluminum Piston)	1	
72562C	Piston Kit, 68RFE 2nd Clutch (Bonded Piston) 2007-Up	1	
72567A	Piston Kit, 45RFE Low/Reverse Clutch (Aluminum Piston)(Cast #4799639) 1999-Up	1	
72567C	Piston Kit, 68RFE Low/Reverse Clutch (Bonded Piston)(Cast # 52119505AA) 2007-Up	1	
72568A	Piston Kit, 45RFE 4th Clutch (Aluminum Piston)	1	
72568C	Piston Kit, 68RFE 4th Clutch (Bonded Piston) 2007-Up	1	
72570A	Overdrive Hub, 45RFE (7 3/4" Long) 1999-Up	1	4799550
72570C	Overdrive Hub, 68RFE (7 1/4" Long) 2007-Up	1	
72571A	Underdrive Hub, 45RFE (10 1/5" Long)	1	4799546
72571C	Underdrive Hub, 68RFE (9 7/8" Long) 2007-Up	1	
72574A	Input Clutch Hub, 45RFE (60 Teeth) Outer (2.715"ID At Bushing) Has A Beveled Shoulder Under The #960 Piston	1	4799536AC
72574AA	Input Clutch Hub, 45RFE/68RFE (60 Teeth) Outer (2.715"ID At Bushing) Has A Square Shoulder Under The #960 Piston	1	
72576A	Reverse Hub, 45RFE (Stamped Steel) 1999-Up	1	4799556
72576C	Reverse Hub, 68RFE (Machined Steel) 2007-Up	1	
72577C	Outer Race, 68RFE Low Sprag (1.280" Thick)(4.420"ID)(48 Outer Lugs) 2007-Up	1	
72582A	Planet, 45RFE Input (5 Gear) (11" Long) 4x4 (2 3/4" From Surface Where Bearing # 251 Sets To Shoulder Where The Park Gear Sets)(Uses A .555" Thick Park Gear)	1	4799501
72582AA	Planet, 45RFE Input (5 Gear) (11" Long) 4x4 (2 5/8" From Surface Where Bearing #251 Sets To Shoulder Where The Park Gear Sets)(Uses A .670" Thick Park Gear)	1	
72582B	Planet, 45RFE (5 Gear) 2WD (Does Not Come With Output Shaft) 1999-Up	1	

45RFE / 5-45RFE / 68RFE

RWD 4, 5 & 6 Speeds

CHRYSLER

PART #	HARD PARTS (Continued)	QTY	REFERENCE #
72582C	Planet, 68RFE Input (6 Gear) 10 1/4" Long) 4x4 (25 Teeth Pinions) (1.455"OD Splines) 2007-Up	1	
72583A	Planet Kit, 45RFE 4x4 (42 Teeth Sungears)(Input Planet Is 11" Long & Uses A .555" Thick Park Gear) 1999-Up	1	
72583AA	Planet Kit, 45RFE 4x4 (42 Teeth Sungears)(Input Planet Is 11" Long & Uses A .670" Thick Park Gear) 1999-Up	1	
72583C	Planet Kit, 68RFE 4x4 (6 Gear Planets)(Input Planet Is 10 1/4" Long) 2007-Up	1	
72584A	Planet, 45RFE Reverse (4 Gear) (12 Lugs)	1	4799503
72584C	Planet, 68RFE Reverse (With Reaction Planet Ring Gear)(6 Gear)(20 Outer Lugs) 2007-Up	1	
72586A	Planet, 45RFE Reaction (42 Teeth Sun Gear) (3 Gear) (40 Outer Clutch Splines)	1	4799619
72586C	Planet, 68RFE Reaction (63 Teeth Sun Gear) (6 Gear) (40 Clutch Splines) 2007-Up	1	
72592A	Ring Gear, 45RFE Input (3.400" Thick) (16 Lugs) (12 Notches)	1	4799501
72592C	Ring Gear, 68RFE Input (87 Teeth)(20 Lugs) 2007-Up	1	
72596A	Hub/Ring Gear, 45RFE 2nd Clutch To Reaction Planet (84 Teeth) (5.914"OD) (24 Teeth Clutch)	1	4799604
72596C	Hub/Ring Gear, 68RFE 2nd Clutch (24 Teeth Hub)(63 Teeth Sun Gear) 2007-Up	1	
72612A	Sun Gear, 45RFE Input (42 Teeth Left Angle) (2.650"OD) (2.070" Long With Nose)	1	4799586
72612AA	Sun Gear, 45RFE Input (42 Teeth Left Angle) (2.650"OD) (2.015" Long With Nose)	1	
72612C	Sun Gear, 68RFE Input (39 Teeth Left Angle) (2.405"OD) (2.285" Long) 2007-Up	1	
72616A	Sun Gear, 45RFE Reaction (42 Teeth Left Angle) (2.650"OD) (1.215" Thick)	1	4799602

PART #	SPRAGS & ONE WAY CLUTCHES	QTY	REFERENCE #
72644A	Sprag Assembly, 45RFE Low (14 Roller Plastic Cage) (16 Lugs On Outer Race)	1	4799465
72644C	Sprag Assembly, 68RFE Low (36 Elements)(20 Lugs On Outer Race) 2007-Up	1	
72654A	Sprag, 45RFE Low (14 Roller)(Plastic Cage) 1999-Up	1	
72654C	Sprag, 68RFE Low (36 Elements) (Plastic Cage) 2007-Up	1	
72664C	Inner Race, 68RFE Low Sprag (.790" Thick)(3.685"OD) 2007-Up	1	

PART #	HARD PARTS (Continued)	QTY	REFERENCE #
72670A	Input Shaft, 45RFE (10 1/4" Long)(29 Splines) 1999-Up	1	4799537
72670C	Input Shaft, 68RFE (11 3/4" Long)(27 Splines) 2007-Up	1	
72678B	Output Shaft, 45RFE 2WD (14 3/8" Long) 1999-Up (Shaft Is Not Made To The Planet)	1	
72690A	Park Gear, 45RFE (30 Lugs) (6 5/16"OD) (.555" Thick) 1999-Up	1	4799493
72690AA	Park Gear, 45RFE/68RFE (30 Lugs) (6 5/16"OD) (.670" Thick) 1999-Up	1	
72740A	Valve Body, 45RFE W/Out Solenoids (Cast #04799655) 1999-Up	1	4799588

PART #	VALVE BODY COMPONENTS	QTY	REFERENCE #
S92741CA-6	Plugs, 45RFE Switch Valve (Oversized) (Use T-92835-RM) (Contains: 2 Oversized Replacement Plugs and 1 End Plug)	1	
T-92835-RM	Reamer, 45RFE For Oversized Plugs #S92741CA-6 (Sonnax)	1	
S92741CS-1	Valve, 5-45RFE Solenoid Switch (Oversize) (Sonnax) Must Use T-F-92835-TL Reamer	1	
T-F-92835-TL	Reamer, 5-45RFE For S92741CS-1	1	

PART #	HARD PARTS (Continued)	QTY	REFERENCE #
72760A	Case, 45RFE (7 3/4" Top Bolts) 15 Pan Bolts (Double Starter) (Cast #4799660)	1	4799613
72760C	Case, 68RFE (Diesel)(6 1/4" Top Bolts)(Starter At 3:00)(Cast # 52119564) 2007-Up	1	
72765A	Pan, 45RFE/5-45RFE/68RFE (15 Bolts) 4x4 (3 5/8" Deep In Corner)(Has A Step Across The Pan) 1999-Up	1	5013681AA
72765AA	Pan, 45RFE/5-45RFE/68RFE (15 Bolt) 2WD (2 15/16" Deep In The Corner)(Has A Small Center Sump For The Filter Pick-Up) 1999-Up	1	
72770AE	Extension Housing, 45RFE (4 1/2" Long) Aluminum (6 Bolts To Transfer Case) 4 Bolt Mount (Cast #52107719) 1999-Up	1	52107719
72770AF	Extension Housing, 45RFE (5 3/4" Long) Aluminum (6 Bolts To Transfer Case) 4 Bolt Mount (Cast #52098690) 1999-Up	1	
72770B	Extension Housing, 45RFE 2WD (15" Long)(3 Bolt Mount) 1999-Up	1	
72770CA	ExtensionHousing, 68RFE 4x4 (4 1/8" Long)(Aluminum)(2 Threaded Bosses On Drivers Side) 2007-Up	1	
72777AK	Bolt Set, 45RFE Pump To Case (1 5/8" Long) (10 mm) (6 Pieces)	1	
72777CK	Bolt Set, 68RFE Pump Body To Stator (24 Pieces)(T25 Torx Head) 2007-Up	1	
72778ABK	Bolt Set, 45RFE Pump Body To Stator Plate (24 Pieces) (1 1/8" Long) (Torx)	1	
72778AK	Bolt Set, 45RFE Stator Tube To Body (5 Pieces) (1 7/16" Long) (Torx)	1	
72778CK	Bolt Set, 68RFE Stator Tube To Stator Body (5 Pieces)(T27 Torx Head) 2007-Up	1	
72779AK	Bolt Set, 45RFE/68RFE Pan (10 mm) (13/16" Long) (15 Pieces) 1999-Up	1	
72781AK	Bolt Set, 45RFE/68RFE Extension Housing To Case (1 11/16" Long) (12 Pieces) 1999-Up	1	
72782AK	Bolt Set, 45RFE Valve Body To Case (10 mm) (1 7/16" Long) (6 Pieces) 1999-Up	1	
72792AK	Bolt Set, 45RFE Accumulator Cover To Valve Body 1999-Up	1	

72799A	Bolt, 45RFE Detent To Plate To Valve Body W/Shoulder (11/16" Long) Torx 1999-Up	1	
72852A	Cushion, 45RFE/68RFE 2nd Clutch (.068" Thick) (6 7/8"OD) 1999-Up	1	4799521
72860A	Snap Ring, 45RFE/68RFE Holds Underdrive Pressure Plate In Retainer (.095") 1999-Up	1	
72861A	Snap Ring, 45RFE/68RFE Sets Under Reverse Pressure Plate (8 1/4"OD)(.059" Thick) 1999-Up	1	4799118
72862A	Snap Ring, 45RFE/68RFE Holds Return Spring In Piston (6 5/16"OD) (.060" Thick) 1999-Up	1	4799088
72863A	Snap Ring, 45RFE/68RFE Holds 4th Clutch Pressure Plate In (6"OD)(Selective) 1999-Up	1	
72865A	Snap Ring, 45RFE/68RFE Holds 4th Clutch Retainer In (2.772"OD) (.061" Thick) 1999-Up	1	4799528AB
72873A	Snap Ring, 45RFE Holds Reverse Planet To Input Ring Gear (7 3/16"OD) (.060" Thick)	1	4799247
72873C	Snap Ring, 68RFE Holds Reverse Planet To Input Ring Gear (.060" Thick)(7 9/16"OD) 2007-Up	1	
72874A	Snap Ring, 45RFE/68RFE Holds 2nd Clutch Retainer In (.060" Thick) (.223" Wide) 1999-Up	1	4799522AB
72875A	Snap Ring, 45RFE/68RFE Holds Piston In Input Clutch Retainer (3.125"OD)(.092" Thick) (2 Eyelets) 1999-Up	1	4799097
72876A	Snap Ring, 45RFE/68RFE Holds Underdrive Clutches In Retainer (7 3/8"OD) (.060" Thick) 1999-Up	1	4799760
72877A	Snap Ring, 45RFE/68RFE Holds Underdrive Piston In Retainer (2.405"OD) (.079" Thick) (2 Eyelets) 1999-Up	1	4799112
72880A	Snap Ring, 45RFE/68RFE Holds Input Shaft To Clutch Hub (1.490"OD) (.062" Thick) (Wire Type) 1999-Up	1	4799538
72883A	Snap Ring, 45RFE/68RFE Holds 2-4 Drum In Case (9 3/16"OD)(.116" Thick)(Beveled) 1999-Up	1	4799680
72884A	Snap Ring, 45RFE/68RFE 2-4 Drum Stop (8 13/16"OD) (.060" Thick) 1999-Up	1	4799174
72885A	Snap Ring, 45RFE/68RFE Holds Low/Reverse Pressure Plate In (Selective) (7 9/16"OD) 1999-Up	1	
72886A	Snap Ring, 45RFE/68RFE Low/Reverse Drum To Case (8 1/4"OD) (.069" Thick)(Beveled) 1999-Up	1	
72887A	Snap Ring, 45RFE Low Sprag Race To Race (3.595"OD) (.039" Thick)	1	
72887C	Snap Ring, 68RFE Holds Low Sprag To Race (.046" Thick)(4.632"OD) 2007-Up	1	
72888A	Snap Ring, 45RFE Low Sprag To Drum (2.585"OD) (.062" Thick)	1	4799863AA
72891A	Snap Ring, 45RFE/68RFE Overdrive Clutch (Top) (8 1/8"OD) (.060" Thick) 1999-Up	1	4799117
72892A	Snap Ring, 45RFE/68RFE Reverse Clutch (Top) Selective (7 1/8" OD) 1999-Up	1	
72894B	Snap Ring, 45RFE (2WD) Holds Front Extension Housing To Output Shaft (.080" Thick) (2.295"OD) 1999-Up	1	
72895A	Snap Ring, 45RFE/68RFE Holds Park Gear To Output Shaft (1.820"OD) (.062" Thick) 1999-Up	1	4799704
72897A	Snap Ring, 45RFE (4x4) Holds Bearing In Extension Housing (3.010"OD) (.062" Thick) 1999-Up (Also Fits 45RFE (2WD) Holds Bearing In Extension Housing 1999-Up)	1	
72897B	Snap Ring, 45RFE (2WD) Holds Front BEaring In Extension Housing (.093" Thick)(4.130"OD) 1999-Up	1	
72897C	Snap Ring, 68RFE Holds Bearing In Extension Housing (3.370"OD)(.096" Thick)(2 Eyelets) 2007-Up	1	
72898A	Snap Ring, 45RFE Front Seal To Pump (3.168"OD) (.062" Thick)	1	4799082
72899A	Snap Ring, 45RFE Cover Plate (Outer) (11 15/16") (.061" Thick)	1	4799005
72926A	Spring, 45RFE Accumulator (The Large Outer Spring) 1999-Up	5	
72926B	Spring, 45RFE Accumulator (The Small Inner Spring) 1999-Up	4	4567575
S72950AK	Plate Kit, 45RFE/5-45RFE Accumulato Cover With Screws (Sonnox)(Use With T-44895-TL)	1	4799598AB
72960A	Piston, 45RFE/68RFE Underdrive Clutch (Outer) (Bonded) (5 7/8"OD) (2 1/4"ID) (Balanced Piston) 1999-Up	1	4799652
72960AK	Piston Kit, 45RFE/5-45RFE (Bonded) 1999-Up (Contains: One 72960A, One 72962AA & One 72980A)	1	
72960CK	Piston Kit, 68RFE (Bonded) 2007-Up	1	
72961A	Piston, 45RFE/68RFE Overdrive/Reverse (7 7/8"OD) 4 Notches (Cast #4799676) 1999-Up	1	4799645
72962A	Piston, 45RFE 2nd Clutch Aluminum (1.190" Thick) (Cast #4799519) 18 Notches (7 15/16"OD)	1	
72962AA	Piston, 45RFE/5-45RFE 2nd Clutch (Bonded)(18 Notches) 2005-Up	1	
72962C	Piston, 68RFE 2nd Clutch (Bonded) (12 Notches) 2007-Up	1	
72967A	Piston, 45RFE Low/Reverse Clutch (Aluminum) (6 7/8"OD) (Cast #4799639) 1999-Up	1	4799457
72967C	Piston, 68RFE Low/Reverse clutch (Bonded)(1.020" Thick)(6 7/8"OD)(2.570"ID) (Cast # 52119505AA) 2007-Up	1	
72968A	Piston, 45RFE 4th Clutch (Aluminum) (5 7/16"OD) (Cast #4799524)	1	
72968C	Piston, 68RFE 2-4 Clutch (Bonded) (.650" Thick) 2007-Up	1	
72970A	Return Spring, 45RFE/68RFE Underdrive/Overdrive Clutch (20 Spring Retainer)(4 1/4"OD) 1999-Up	1	4799101
72971A	Spring, 45RFE (.068" Thick)(5.588"OD)(Dished)(8 Fingers) 1999-Up	1	4799087
72971C	Spring, 68RFE (.072" Thick)(5.888"OD)(Dished)(14 Fingers) 2007-Up	1	
72977A	Dished Spring, 45RFE Low/Reverse Clutch Return (8 Fingers)(.088" Thick)(5.915"OD)	1	5179008AA
72977AA	Dished Spring, 45RFE Low/Reverse Clutch Return (8 Fingers)(.068" Thick)(5.580"OD)	1	
72977C	Dished Spring, 68RFE Low/Reverse Clutch Return (8 Fingers)(.090" Thick)(6 3/16"OD) 2007-Up	1	
72978A	Springs & Retainer, 45RFE/68RFE 4th Clutch (3 3/8"OD) (22 Springs) 1999-Up	1	4799527
72980A	Piston, 45RFE/68RFE Underdrive Clutch (Inner) Bonded (6 1/8"OD) (2 3/4"ID) 1999-Up	1	4799650
72987A	Clip Set, 45RFE/68RFE Holds Low/Reverse Spring In (.136" Thick) Stepped (2 Pieces) 1999-Up	1	5013091AA

45RFE / 5-45RFE / 68RFE

RWD 4, 5 & 6 Speeds

PART #	HARD PARTS (Continued)	QTY	REFERENCE #
72991-2	Detent, 45RFE Roller (Spring Loaded) (1 Bolt).....	1
72991-3	Detent Plate, 45RFE With Built In Range Sensor & Rooster Comb 1999-Up.....	1
72991A	Linkage Assembly, 45RFE Internal (5 Pieces).....	1
72992A	Lever, 45RFE External Linkage (4 1/8" x 1 3/4") Snap On Ball Type 1999-Up.....	1
72992C	Lever, 68RFE External Linkage (3 5/8" x 1 1/4") Snap On Ball Type 2007-Up.....	1
72995A	Park Pawl Assembly, 45RFE (Pawl Is .470" Thick At Lug)(3 Pieces) 1999-Up.....	1
72995C	Park Pawl Assembly, 68RFE (Pawl Is .550" Thick At Lug)(3 Pieces) 2007-Up.....	1
72996A	Cooler Fitting, 45RFE Screw In Type.....	1
72996C	Cooler Fitting, 68RFE Push-In Type 2007-Up.....	1

CHRYSLER



