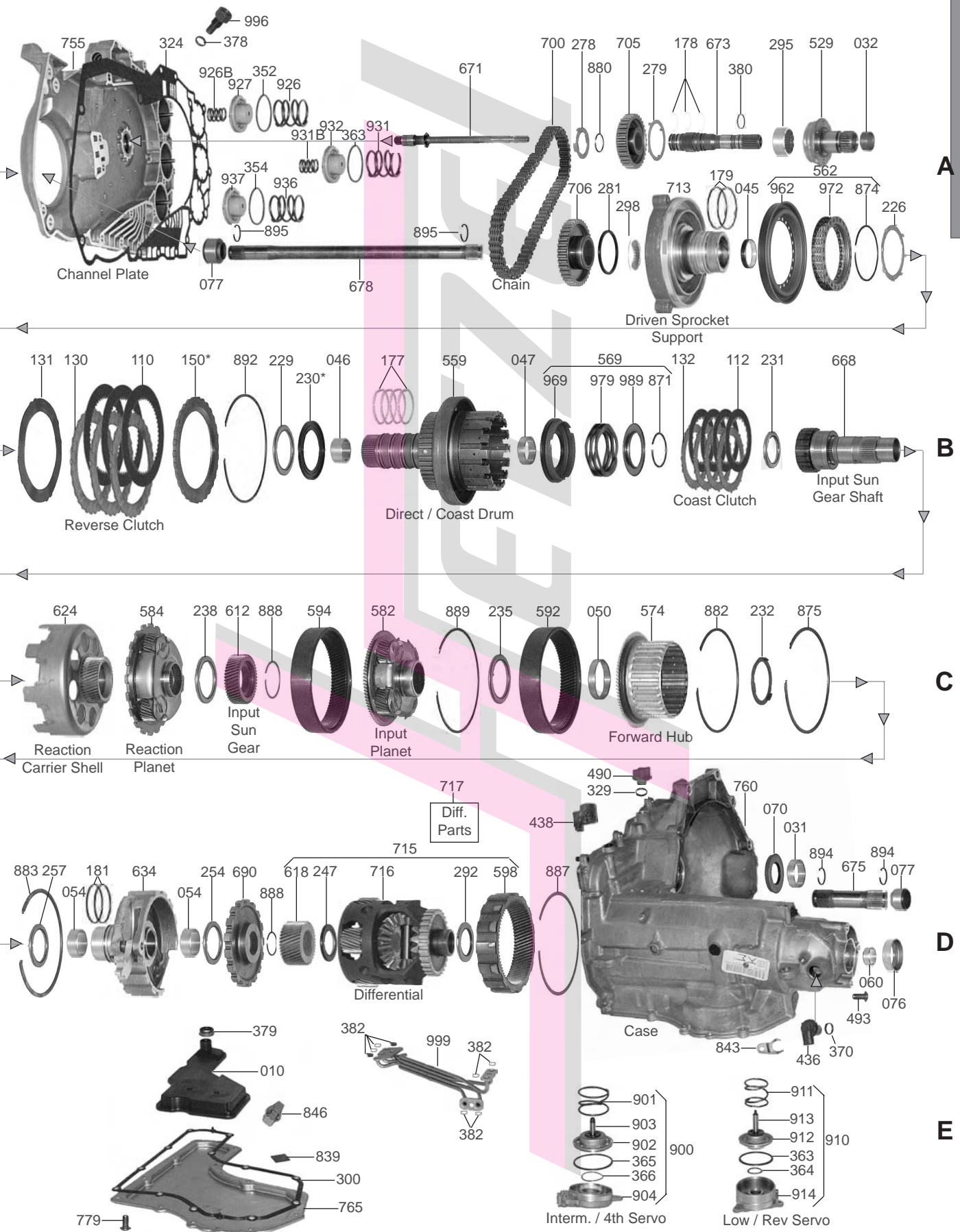


- 000 Paper & Rubber Kit
- 002 Overhaul Kit
- 004 Master L/Steels Kit
- 006 Master W/Steels Kit
- 011 Filter Kit
- 030 Bushing Kit
- 119 Friction Module
- 139 Steel Module
- 175 Ring Kit
- 200 Washer Kit
- 201 Bearing Kit
- 400 Technical Manual



4T40E / 4T45E

FWD 4 Speed

PART #	PAPER & RUBBER KIT	QTY.	REFERENCE #
14000APW	Paper & Rubber Kit, 4T40E (W/Bonded Pistons) (W/Bonded Rubber Pan Gasket) 1995-Up	1	
PART #	OVERHAUL KIT	QTY.	REFERENCE #
14002AW	Overhaul Kit, 4T40E/4T45E 1995-Up (For Bonded Pistons Sell A14962AK)	1	
PART #	MASTER L/STEEL KIT	QTY.	REFERENCE #
14004AW	Master L/Steels Kit, 4T40E/4T45E 1995-Up (For Bonded Pistons Sell A14962AK)	1	
PART #	MASTER W/STEEL KIT	QTY.	REFERENCE #
14006AW	Master W/Steels Kit, 4T40E/4T45E 1995-Up (For Bonded Pistons Sell A14962AK)	1	
PART #	FILTER	QTY.	REFERENCE #
14010A	Filter, 4T40E 1995-Up	1	24203770
PART #	FILTER KIT	QTY.	REFERENCE #
14011AW	Filter Kit, 4T40E (W/Bonded Rubber Pan Gasket) 1995-Up	1	
PART #	MISC FILTERS	QTY.	REFERENCE #
14016A	Screen, 4T40E Snaps Into Valve Body Separator Plate 1995-Up	1	
PART #	BANDS	QTY.	REFERENCE #
14022A	Band, 4T40E Intermediate/4th 1995-Up	1	
14024A	Band, 4T40E Low/Reverse 1995-Up (Use 84022E)	1	
84022E	Band, 4T40E Low/Reverse 1995-Up	1	8651614
PART #	BUSHINGS	QTY.	REFERENCE #
14030A	Bushing Kit, 4T40E 1995-Up	1	
14032A	Use 54036A	1	
54036A	Bushing, 4T40E Converter Reactor (Front) 1995-Up	1	8628915
14045A	Bushing, 4T40E Driven Sprocket Support (Rear) 1995-Up	1	
14046A	Bushing, 4T40E Direct/Coast Clutch Drum (Front) 1995-Up	1	
14047A	Bushing, 4T40E Direct/Coast Clutch Drum (Rear) 1995-Up	1	
14048A	Bushing, 4T40E Forward Drum (Front, Small One) 1995-Up	1	
14048B	Bushing, 4T40E Forward Drum (Rear, Large One) 1995-Up	1	
14050A	Bushing, 4T40E Forward Clutch Hub 1995-Up	1	
14051A	Bushing, 4T40E Reaction Carrier Shell (Front) 1995-Up	1	
14054A	Bushing, 4T40E Forward Drum Support (Front & Rear) 1995-Up	2	
14056A	Bushing, 4T40E Reaction Carrier Shell (Rear) 1995-Up	1	
64060	Bushing, 4T40E Case 1995-Up	1	
14061A	Bushing, 4T40E Reverse Input Drum (Front) 1995-Up	1	
14061B	Bushing, 4T40E Reverse Input Drum (Rear) 1995-Up	1	
14062A	Bushing, 4T40E Final Drive Sun Gear Shaft (Front) 1995-Up	1	
PART #	METAL CLAD SEALS	QTY.	REFERENCE #
84070	Seal, 4T40E Front Converter 1995-Up	1	8664812
14072A	Seal, 4T40E Manual Shaft 1995-Up	1	
14076A	Seal, 4T40E Axle (Both Sides) 1995-Up	2	
14077A	Seal/Sleeve, 4T40E Axle (Inner)(Both Sides) 1995-Up	2	
PART #	FRICTION CLUTCH	QTY.	REFERENCE #
14104A	Friction, 4T40E 2nd Clutch .070" 1995-Up	3	24209723
14106A	Friction, 4T40E Direct Clutch .070" (W/36 External Teeth) 1995-Up	4-6	24209727
14108A	Friction, 4T40E Forward Clutch .069" (30 Teeth) 1995-Up	7	8684444
14110A	Friction, 4T40E Reverse Clutch .070" 1995-Up	3	
14112A	Friction, 4T40E Coast Clutch .070" 1995-Up	4	8684282
14119A	Friction Module, 4T40E (Hi-Energy) 1995-Up	1	
14119AHP	Friction Module, 4T40E (Hi-Performance, Blue Plate) 1995-Up	1	
14119AS1	Friction Module, 4T40E (Stage 1) 1995-Up	1	

PART #	STEEL CLUTCH	QTY.	REFERENCE #
14124A	Steel, 4T40E 2nd Clutch .089" (8 Teeth) 1995-Up	3	24200790
14125A	Steel, 4T40E 2nd Clutch (Waved) 1995-Up	1	24200298
14126A	Steel, 4T40E Direct Clutch .074" (W/16 Internal Teeth) 1995-Up	4-6	8685879
14128A	Steel, 4T40E Forward Clutch .069" (30 Teeth) 1995-Up	7	8684445
14129A	Steel, 4T40E Forward Clutch .038" (12 Teeth)(Waved) 1995-Up	1	24200467
14130A	Steel, 4T40E Reverse Clutch .088" (30 Teeth) 1995-Up	3	
14130B	Steel, 4T40E Reverse Clutch .088" (30 Teeth)(Turbulator) 1998-Up	3	
14131A	Steel, 4T40E Reverse Clutch .043" (8 Teeth)(Waved) 1995-Up	1	
14132A	Steel, 4T40E Coast Clutch .069" (12 Teeth) 1995-Up	4	8685874
14139A	Steel Module, 4T40E 1995-Up	1	

PART #	CLUTCH PRESSURE PLATES	QTY.	REFERENCE #
14144A	Pressure Plate, 4T40E 2nd Clutch .251" 1995-Up	1	8684324
14146A	Pressure Plate, 4T40E Direct Clutch .204" (W/16 Internal Teeth) 1995-Up	1	8685875
14148A	Pressure Plate, 4T40E Forward Clutch .122" (30 Teeth) 1995-Up	1	24200595
14150A	Pressure Plate, 4T40E Reverse Clutch (Stamped "A") 1995-Up	1	
14150B	Pressure Plate, 4T40E Reverse Clutch (Stamped "B") 1995-Up	1	
14150C	Pressure Plate, 4T40E Reverse Clutch (Stamped "C") 1995-Up	1	

PART #	OIL SEALING RINGS	QTY.	REFERENCE #
14175AT	Ring Kit, 4T40E (Teflon) 1995-Up	1	
14177AT	Ring, 4T40E Direct/Coast Clutch Drum (Solid)(Teflon) 1995-Up	4	8684272
64178AT	Ring, 4T40E Turbine Shaft (Front)(Solid)(Teflon) 1995-Up	1	8637170
64178BT	Ring, 4T40E Turbine Shaft (Rear)(Solid)(Teflon) 1995-Up	2	8643058
14179AT	Ring, 4T40E Driven Sprocket Support (Vespele)(Teflon) 1995-Up	2	24201613
14181T	Ring, 4T40E Forward Drum Support (Teflon) 1995-Up	2	24204223

PART #	WASHERS & BEARINGS	QTY.	REFERENCE #
14200A	Washer Kit, 4T40E 1995-Up	1	
14201A	Bearing Kit, 4T40E 1995-Up	1	
14209A	Bearing, 4T40E Pump Shaft Needle (With Seal) 1995-Up (1.065"OD) (.705" Wide)	1	
14226A	Washer, 4T40E Driven Sprocket Support to Reverse Input Drum (Plastic, 8 Tab) 1995-Up	1	
14229A	Bearing, 4T40E Driven Sprocket Support to Direct/Coast Drum (Use 84257) 1995-Up	1	8644206
14230A	Washer, 4T40E Driven Sprocket Support to Dir/Coast Drum .061" (Brown, Plastic) 1995-Up	1	
14230B	Washer, 4T40E Driven Sprocket Support to Dir/Coast Drum .072" (Grey, Plastic) 1995-Up	1	
14230C	Washer, 4T40E Driven Sprocket Support to Dir/Coast Drum .084" (Natural, Plastic) 1995-Up	1	
14230D	Washer, 4T40E Driven Sprocket Support to Dir/Coast Drum .096" (Black, Plastic) 1995-Up	1	
14230E	Washer, 4T40E Driven Sprocket Support to Dir/Coast Drum .107" (Orange, Plastic) 1995-Up	1	
14230F	Washer, 4T40E Driven Sprocket Support to Dir/Coast Drum .119" (Violet, Plastic) 1995-Up	1	
14230G	Washer, 4T40E Driven Sprocket Support to Dir/Coast Drum .131" (Yellow, Plastic) 1995-Up	1	
14230H	Washer, 4T40E Driven Sprocket Support to Dir/Coast Drum .142" (Red, Plastic) 1995-Up	1	
14230J	Washer, 4T40E Driven Sprocket Support to Dir/Coast Drum .154" (Green, Plastic) 1995-Up	1	
14231A	Bearing, 4T40E Direct/Coast Clutch Drum to Input Sun Gear Shaft (Front) 1995-Up	1	
14232A	Washer, 4T40E Forward Hub to Forward Drum (Plastic, 3 Tab) 1995-Up	1	
14235A	Bearing, 4T40E Input Planet to Forward Hub (Use 84257) 1995-Up	1	8644206
14238A	Bearing, 4T40E Reaction Planet to Input Sun Gear 1995-Up	1	
14241A	Bearing, 4T40E Reaction Carrier Shaft to Sun Shell 1995-Up	1	
14244A	Bearing, 4T40E Input Sun Gear Shaft to Reaction Carrier Shell (Rear) 1995-Up	1	
54247A	Bearing, 4T40E/4T45E Differential To Sun Gear (2.000"OD) 1995-Up	1	
84247	Bearing, 4T40E/4T45E Differential To Sun Gear (2.191"OD) 1995-Up	1	
84247A	Bearing, 4T40E/4T65E Differential To Sun Gear (2.125"OD)	1	
14254A	Bearing, 4T40E Forward Drum Support to Parking Gear 1995-Up	1	
84257	Bearing, 4T40E Driven Sprocket Support to Direct/Coast Drum (& Input Planet to Forward Hub) 1995-Up	2	8644206
14257A	Bearing, 4T40E Forward Drum to Support 1995-Up	1	
14278A	Washer, 4T40E Drive Sprocket to Case Cover (Plastic 4 Tab) 1995-Up	1	
64279A	Washer, 4T40E Drive Sprocket to Support 1995-Up	1	8652841
14280A	Washer, 4T40E Driven Sprocket to Side Cover 1995-Up	1	
14281A	Washer, 4T40E Driven Sprocket to Support 1995-Up	1	8637227
64281A	Washer, 4T40E Driven Sprocket To Support (.153" Thick)	1	
14286A	End Washer, 4T40E Input Sprag (2 Per Sprag) 1995-Up	2	
64292	Bearing, 4T40E Differential to Case 1995-Up	1	8631362
64295	Caged Needle Bearing, 4T40E Converter Reactor 1995-Up	1	24214158
64298	Caged Needle Bearing, 4T40E Driven Sprocket Support 1995-Up	1	8631190

PART #	GASKETS & RUBBER COMPONENTS	QTY.	REFERENCE #
14300AW	Gasket, 4T40E Bottom Pan (Bonded) 1995-Up	1	
14301A	Seal, 4T40E Side Cover Gasket (Inner)(Molded Rubber) 1995-Up	1	
14301B	Seal, 4T40E Side Cover Gasket (Outer)(Molded Rubber) 1995-Up	1	
14320A	Gasket, 4T40E Valve Body Spacer Plate To Case Cover 1995-03	1	24212642
14320AA	Gasket, 4T40E Valve Body Spacer Plate To Case Cover 2004-05	1	
14320AB	Gasket, 4T40E Valve Body Spacer Plate To Case Cover 2006-Up	1	
14321A	Gasket, 4T40E Valve Body to Spacer Plate 1995-03	1	24207387
14321AA	Gasket, 4T40E Valve Body To Spacer Plate 2004-05	1	
14321AB	Gasket, 4T40E Valve Body To Spacer Plate 2006-Up	1	
14324A	Gasket, 4T40E Case to Case Cover 1995-Up	1	
14338A	Piston, 4T40E Reverse Clutch (Inner)(Bonded)(Not Reusable if Taken Out) 1995-Up	1	
14352A	D-Ring, 4T40E 1-2 Accumulator Piston 1995-Up (Also Fits 2-3 & 3-4 Accumulator)	1-3	
14353A	D-Ring, 4T40E 2-3 Accumulator Piston 1995-Up (Use 14352A)	1	
14354A	D-Ring, 4T40E 3-4 Accumulator Piston 1995-Up (Use 14352A)	1	
14363A	Lip Seal, 4T40E Low/Reverse Servo Piston 1995-Up	1	
14364A	O-Ring, 4T40E Low/Reverse Servo Cover 1995-Up	1	
14365A	Lip Seal, 4T40E Intermediate/4th Servo Piston 1995-Up	1	
14366A	O-Ring, 4T40E Intermediate/4th Servo Cover 1995-Up	1	
14379A	Seal, 4T40E Filter 1995-Up	1	
64380	O-Ring, 4T40E Turbine Shaft (Goes Behind Splines) (4 & 6 Cylinder Type)	1	

PART #	TECHNICAL MANUALS	QTY.	REFERENCE #
14400A	Tech Manual, 4T40E 1995-Up	1	

PART #	ELECTRICAL COMPONENTS	QTY.	REFERENCE #
14410A	Switch, 4T40E Neutral Safety 1995	1	
14410AA	Switch, 4T40E Neutral Safety 1996	1	
14410AB	Switch, 4T40E Neutral Safety 1997-03	1	
14410AC	Switch, 4T40E/4T45E Neutral Safety 2004-08	1	
14421A	Solenoid, 4T40E 1-2 Shift 1995-Up (Also 2-3 Shift)	1-2	24207236
14422A	Solenoid, 4T40E 2-3 Shift 1995-Up (Use 14421A)	1	24207236
14425A	Solenoid, 4T40E Lock-Up (TCC) 1995-Up (Use 74418E)	1	24212690
74418E	Solenoid, 4T40E Lock-Up (TCC) 1995-Up	1	24212690
84431G	Solenoid, 4T40E Pressure Control (EPC) 1995-02	1	10478146
84431GA	Solenoid, 4T40E Pressure Control (EPC) 2003-Up	1	24225825
84436G	Sensor, 4T40E Vehicle Speed 1995-Up	1	24207507
74445E-2K	Repair Kit, 4T40E (Repairs The 2 Pin VSS Harness Only)(1"OD)	1	
84445GH	Wire Harness REpair, 4T40E External (20 Pin Connector)(GM Universal)	1	
14438A	Sensor, 4T40E/4T45E Input Speed 1995-Up (The Aluminum Bracket Has 1 Bolt Hole & Is Square On The End) (.810" Long)	1	24218077
14438AA	Sensor, 4T40E/4T45E Input Speed 1997-Up (The Aluminum Bracket Has 1 Bolt Hole & Is Round On The End) (.725" Long)	1	10456546
14442A	Switch Assembly, 4T40E Manifold Pressure 1995-03	1	24226580
14442B	Switch Assembly, 4T40E Manifold Pressure 2004-Up	1	24217544
14444A	Connector, 4T40E Case 1995-Up	1	
14446A	Wire Harness, 4T40E Internal W/Case Connector 1995-Up (14 Prong Case Connector With 5 Two Prong Connectors & 1 Six Prong Connector)	1	
14446B	Wire Harness, 4T40E Internal With Case Connector 1995-Up (14 Prong Case Connector With 5 Two Prong Connectors And 1 Five Prong Connector)	1	
350-0063	GM Computer Repair (ECM) 4T40E/4T45E (Wire Harness With Terminal Ends)(Rostra)	1	
14447AC	Interceptor, 4T40E 1995-Up	1	

PART #	MISC. COMPONENTS	QTY.	REFERENCE #
14493A	Fill Plug, 4T40E Oil 1995-Up	1	

PART #	HARD PARTS	QTY.	REFERENCE #
14500A	Pump Assy, 4T40E Complete 1995-Up	1	24208987
14529A	Converter Reactor, 4T40E 1995-Up	1	8685660
14554A	Drum, 4T40E Forward Clutch 1995-Up	1	24203622
14555A	Reaction Carrier Shaft, 4T40E (Holds Direct Fri)(Splines Into Reaction Carrier) 1995-Up	1	
14556AK	Drum, 4T40E Reverse Input Clutch (W/Sprag)(3 Clutch) 1995-Up	1	
14559A	Drum, 4T40E Direct/Coast Clutch 1995-Up	1	
14562A	Piston Kit, 4T40E 2nd Clutch (Bonded) 1995-Up	1	
14564A	Piston Kit, 4T40E Forward Clutch (Bonded) 1995-Up	1	
14565A	Piston Kit, 4T40E Direct Clutch (Bonded) 1995-Up	1	

14566A	Piston Kit, 4T40E Reverse Clutch (Bonded) 1995-Up	1	
14569A	Piston Kit, 4T40E Coast Clutch (Bonded) 1995-Up	1	
14574A	Hub, 4T40E Forward Clutch 1995-Up	1	
14582A	Planet, 4T40E Input (Rear)(46 Tooth Sun Gear) 1995-Up	1	24208590
14584A	Planet, 4T40E Reaction (Front)(42 Tooth Sun Shell) 1995-Up	1	24208584
14592A	Ring Gear, 4T40E Input Planet (Rear) 1995-Up (Use 14594A)	1	8684574
14594A	Ring Gear, 4T40E Reaction Planet (Front) 1995-Up	1	8684574
14598	Ring Gear, 4T40E Final Drive (78 Teeth, Left Angled) 1995-96	1	
14598A	Ring Gear, 4T40E Final Drive (78 Teeth, Right Angled) 1997-Up	1	
14612A	Sun Gear, 4T40E Input (46 Teeth) 1995-Up	1	8684581
84618AA	Sun Gear, 4T40E Final Drive (34 Teeth, Left Angled) (2.170"OD) 1995-96	1	
84618AB	Sun Gear, 4T40E Final Drive (34 Teeth, Right Angled) (2.170"OD) 1997-Up	1	
84618C	Sun Gear, 4T40E Final Drive (38 Teeth, Left Angled) (2.410"OD) 1995-96	1	
84618CA	Sun Gear, 4T40E Final Drive (38 Teeth, Right Angled) (2.410"OD) 1997-Up	1	
14624A	Reaction Sun Shell, 4T40E W/42 Tooth Sun Gear 1995-Up	1	
14634A	Support, 4T40E Forward Drum (Cast # 24205284)(17 Roller Sprag Type)	1	24204222
14634AA	Support, 4T40E Forward Drum (Cast # 24205284)(16 Roller Sprag Type)	1	24204810
14634AB	Support, 4T40E Forward Drum (Cast # 24200088)(16 Roller Sprag Type)	1	24210106
14634AC	Support, 4T40E Forward Drum 1999	1	24212711
14648A	Sprag Assy, 4T40E Input (22 Elements)(W/Outer Race, Side Washers, Snap Ring) 1995-Up	1	
14652A	Sprag, 4T40E Low Roller Clutch (16 Rollers, Black Plastic Cage)	1	7471005
14652B	Sprag, 4T40E Low Roller Clutch (17 Rollers, Grey Plastic Cage)	1	
14656A	Sprag, 4T40E 2nd Roller Clutch (W/Cage) 1995-Up	1	
14658A	Sprag, 4T40E Input (22 Elements) 1995-Up	1	24203617
14667A	Outer Race, 4T40E 2nd Roller Clutch 1995-Up	1	
14668A	Shaft, 4T40E Input Sun Gear Shaft 1995-Up	1	24203613
14669A	Outer Race, 4T40E Input Sprag 1995-Up	1	24200497
14671A	Shaft, 4T40E Pump Drive (With .060" Thick Steel Race) 1995-Up	1	8684255
14671AA	Shaft, 4T40E Pump Drive (With .550" Thick Steel Race) 2002-Up (New Design, Retro Fits To 1995)	1	
64673A	Turbine Shaft, 4T40E 1995-Up	1	8652382
14674A	Shaft, 4T40E Final Drive Sun Gear Shaft 1995-Up	1	24201609
14675A	Output Shaft, 4T40E (Short, External) 1995-Up	1	24200734
14678A	Output Shaft, 4T40E (Long, Internal) 1995-Up	1	24200733
14690A	Gear, 4T40E Parking Gear 1995-Up	1	24204708
14700A	Chain, 4T40E (4 Cylinder) 3/4" Wide 1995-03	1	24200738
14700AA	Chain, 4T40E (4 Cylinder) 5/8" Wide 11/03-Up	1	
84700C	Chain, 4T45E (7/8" Wide)(Mouse Ear Links) 1999-Up	1	
14705A	Sprocket, 4T40E Drive (32 Teeth) 1995-Up	1	24204709
14705B	Sprocket, 4T40E Drive (35 Teeth) .660" Thick 1995-Up	1	
14705BA	Sprocket, 4T40E Drive (35 Teeth) .775" Thick 1995-Up	1	
14705C	Sprocket, 4T40E Drive (33 Teeth) .660" Thick 1995-Up	1	
14705CA	Sprocket, 4T40E Drive (33 Teeth) .775" Thick 1995-Up	1	
14706A	Sprocket, 4T40E Driven (38 Teeth) 1995-Up	1	24200079
14706B	Sprocket, 4T40E Driven (35 Teeth) .660" Thick 1995-Up	1	
14706BA	Sprocket, 4T40E Driven (35 Teeth) .770" Thick 1995-Up	1	
14706C	Sprocket, 4T40E Driven (37 Teeth) .660" Thick 1995-Up	1	
14706CA	Sprocket, 4T40E Driven (37 Teeth) .775" Thick 1995-Up	1	
14713A	Support, 4T40E Driven Sprocket (Cast # 8684348) 1995-96	1	
14713B	Support, 4T40E Driven Sprocket (Cast # 24207153) 1997-02	1	24207143
14713C	Support, 4T40E Driven Sprocket (Cast # 24216212) 2003-Up	1	
14715A	Differential Assy, 4T40E (Use 84715) 1995-Up	1	
14715AHK	Differential Assembly, 4T40E (38 Teeth Left Angle Sun Gear) .705"OD Pin (3.05 Ratio) 1995-96 30 Teeth Pick-Up (With 84618C Sun Gear, 84715AH Differential, 14598 Ring Gear)	1	
14715AMK	Differential Assembly, 4T40E (38 Teeth Right Angle Sun Gear) .705"OD Pin (3.05 Ratio) 1997-Up 30 Teeth Pick-Up (With 84618CA Sun Gear, 84715AM Differential, 14598A Ring Gear)	1	
14715BEK	Differential Assembly, 4T40E (34 Teeth Left Angle Sun Gear) .705"OD Pin (3.29 Ratio) 1995-96 31 Teeth Pick-Up (With 84618AA Sun Gear, 84715BE Differential, 14598 Ring Gear)	1	
14715BFK	Differential Assembly, 4T40E (34 Teeth Left Angle Sun Gear) .705"OD Pin (3.29 Ratio) 1995-96 29 Teeth Pick-Up (With 84618AA Sun Gear, 84715BF Differential, 14598 Ring Gear)	1	
14715BGK	Differential Assembly, 4T40E (34 Teeth Left Angle Sun Gear) .705"OD Pin (3.29 Ratio) 1995-96 30 Teeth Pick-Up (With 84618AA Sun Gear, 84715BG Differential, 14598 Ring Gear)	1	
14715BHK	Differential Assembly, 4T40E (34 Teeth Right Angle Sun Gear) .705"OD Pin (3.29 Ratio) 1997-Up 30 Teeth Pick-Up (With 84618AB Sun Gear, 84715BH Differential, 14598A Ring Gear)	1	

PART #	HARD PARTS (Continued)	QTY	REFERENCE #
14715BJK	Differential Assembly, 4T40E (34 Teeth Right Angle Sun Gear) .705"OD Pin (3.29 Ratio)		
 1997-Up 31 Teeth Pick-Up (With 84618AB Sun Gear, 84715BJ Differential,		
 14598A Ring Gear)	1	
84715BE	Differential Assy, 4T40E (34 Teeth Left Angle Sun Gear)(31 Teeth Pick-Up) 1995-96.....	1	
84715BF	Differential Assy, 4T40E (34 Teeth Left Angle Sun Gear)(29 Teeth Pick-Up) 1995-96.....	1	
84715BG	Differential Assy, 4T40E (34 Teeth Left Angle Sun Gear)(30 Teeth Pick-Up) 1995-96.....	1	
84715BH	Differential Assy, 4T40E (34 Teeth Right Angle Sun Gear)(30 Teeth Pick-Up) 1997-Up.....	1	
84715BJ	Differential Assy, 4T40E (34 Teeth Right Angle Sun Gear)(31 Teeth Pick-Up) 1997-Up.....	1	
14740A	Valve Body, 4T40E W/4 Solenoids (Cast # 8684055 or 24205471)(EPC Solenoid Is 1.320"OD) ..	1	24209128
14740AA	Valve Body, 4T40E W/4 Solenoids (Cast # 24209130)(EPC Solenoid Is 1.320"OD).....	1	
14740AB	Valve Body, 4T40E W/4 Solenoids (Cast # 24214698 Or 24214698A)(The EPC Solenoid		
 Is 1.320"OD)(Does Not Have A 2-3 Accumulator Valve)	1	
14740AC	Valve Body, 4T40E W/4 Solenoids (Cast # 24214698 or 24214698A)(The EPC Solenoid		
 Is .862"OD)(Does Not Have A 2-3 Accumulator Valve)	1	
14740AD	Valve Body, 4T40E W/4 Solenoids (Cast # 24216020)(The EPC Solenoid Is .862"OD)(Does		
 Not Have A 2-3 Accumulator Valve Or A TCC Feed Limit Valve)	1	
14740AE	Valve Body, 4T40E W/4 Solenoids (Cast # 24233226)(The EPS Solenoid Is .862"OD)(Does		
 Not Have A 2-3 Accumulator Valve Or A TCC Feed Limit Valve)	1	

PART #	VALVE BODY COMPONENTS	QTY	REFERENCE #
14741-1A	Manual Valve, 4T40E (Goes in Channel Plate) 1995-Up.....	1	
14741AC-2	Sleeve, 4T40E TCC Regulator Apply Valve (Sonnax) (Use With T-33000-TL Reamer)	1	
S14741C-2	Sleeve, 4T40E TCC Control Valve Sleeve (Sonnax) (Must Use T-F-3300-TL Reamer Set)		
 (Use T-VB-Fix Also).....	1	
T-F-3300-TL	Reamer Set, Use With S14741C-2	1	
S14741F-2K	Sleeve & Spring, 4T40E Actuator Feed Limit Valve (Sonnax) (Must Use T-33886-TL Reamer).....	1	
T-33886-TL	Reamer Set, Use With S14741F-2K	1	
S14741PA-1	Valve, 4T40E Pressure Regulator (Oversize) (Sonnax) (Must Use T-33886-TL2 Reamer).....	1	
T-33886-TL2	Reamer Set, Use With S14741PA-1 (Sonnax).....	1	
14741PK	Pressure Regulator Kit, 4T40E (Fixes 3 Valve Bodies) (Contains: 1 Guide, 1 Reamer, 3 Pair		
 Of Valves & Springs & Seats, 3 Pump Priming Springs).....	1	
14741PK-1	Pressure Regulator Refill Kit, 4T40E (Contains: 5 Each Pair Valve, Springs & Seats & Pump		
 Priming Springs).....	1	
S14741RK	Valve Kit, 4T40E/4T45E Boost Valve & Sleeve (Sonnax)	1	
T-33000-TL	Reamer Kit, 4T40E TCC Regulator Apply Sleeve (Sonnax)	1	
14747A	Plate, 4T40E Valve Body Separator 1995-Up.....	1	24205050

PART #	HARD PARTS (Continued)	QTY	REFERENCE #
14755A	Channel Plate, 4T40E (1.103"ID Sleeve)(Cast # 24200961) 1995-96.....	1	24213577
14755B	Channel Plate, 4T40E (1.128"ID Sleeve)(Cast # 24208122) 1997-98.....	1	24210194
14755C	Channel Plate, 4T40E (Cast # 24216013) 1999-01	1	24213193
S14755S	Sleeve, 4T40E Channel Plate (1.128"ID) 1997-Up (Sonnax)	1	
14760A	Case, 4T40E 2.4L & V-6 (Cast # 24201966) 1995-00.....	1	24207691
14760B	Case, 4T40E 2.2L (Cast # 24208105) 1997-00	1	24207685
14760C	Case, 4T40E (Quad 4) (Cast # 24201960) 1995-Up	1	
14760CA	Case, 4T40E (Quad 4) (Cast # 24208106) 1995-Up	1	
14760CB	Case, 4T40E/4T45E (Quad 4) (Cast # 24208156) 1994-Up.....	1	
14760DA	Case, 4T40E/4T45E (Saturn) (2.2L) 2000-Up (Cast # 24215871).....	1	
16760G	Case, 4T45E (3.5L) 2005-Up (Cast # 2423338)	1	
14765A	Pan, 4T40E Bottom 1995-Up	1	
14766A	Pan, 4T40E Side 1995-96.....	1	24203605
14766B	Pan, 4T40E Side 1997-98.....	1	24213577
14766C	Pan, 4T40E Side (Cast # 24207184) 1999-03	1	24213141
14766D	Pan, 4T40E Side (Cast # 24222115) 2004-Up.....	1	
14843A	Bracket, 4T40E Vehicle Speed Sensor 1995-Up	1	
14846A	Valve, 4T40E Oil Level Control 1995-Up	1	
14871A	Snap Ring, 4T40E Holds Coast Clutch Spring Retainer In Drum 1995-Up	1	
14874A	Snap Ring, 4T40E Holds 2nd Clutch Spring Retainer In Support 1995-Up	1	
14875A	Snap Ring, 4T40E Holds Forward Clutch Pressure Plate In Drum 1995-Up	1	
14877A	Snap Ring, 4T40E Holds Forward Clutch Spring Retainer In Drum 1995-Up.....	1	
14878A	Snap Ring, 4T40E Holds Direct Clutch Pressure Plate In Drum 1995-Up.....	1	
14879A	Snap Ring, 4T40E Holds Direct Clutch Spring Retainer In Drum 1995-Up	1	
64880	Snap Ring, 4T40E Holds Drive Sprocket to Turbine Shaft 1995-Up.....	1	8631210
14881A	Snap Ring, 4T40E Holds Input Sprag to Outer Race 1995-Up.....	1	
14882A	Snap Ring, 4T40E Holds Input Planet Ring Gear to Forward Hub (.088") 1995-Up.....	1	
14883A	Snap Ring, 4T40E Holds Forward Drum Support to Case 1995-Up.....	1	

14887A Snap Ring, 4T40E Holds Differential Ring Gear to Case 1995-Up	1	
14888A Snap Ring, 4T40E Holds Input Sun Gear To Input Sun Gear Shaft 1995-Up		
 (Also Holds Final Drive Sun Gear to Final Drive Sun Gear Shaft)	2	
14889A Snap Ring, 4T40E Holds Reaction Planet Ring Gear to Input Planet (.058") 1995-Up	1	
14890A Snap Ring, 4T40E Holds Reverse Input Retainer In Drum 1995-Up	1	
14892A Snap Ring, 4T40E Holds Reverse Clutch Pressure Plate In Drum 1995-Up	1	
14894A Snap Ring, 4T40E Output Shaft(Short, External) 1995-Up (Use 14895A)	2	
14895A Snap Ring, 4T40E Output Shaft(Long, Internal) 1995-Up	2	
14900A Servo Assy, 4T40E Intermediate/4th Servo (Cover Cast # 24201880) 1995-Up	1	
14910A Servo Assy, 4T40E Low/Reverse Servo (Cover Cast # 24201882) 1995-Up	1	
14926A Spring, 4T40E 1-2 Accumulator (Outer) 1.830" Long 1995-Up	1	8685241
14926B Spring, 4T40E 1-2 Accumulator Cushion (Inner) .850" Long 1995-Up	1	
14927A Piston, 4T40E 1-2 Accumulator (Plastic) 1995-Up (Also Fits 2-3 & 3-4 Accumulator)	1-3	24210506
14931A Spring, 4T40E 2-3 Accumulator (Outer) 1.670" Long 1995-Up (Also Fits 3-4 Accumulator)	1-2	8685240
14931B Spring, 4T40E 2-3 Accumulator Cushion (Inner) 1.950" Long 1995-Up	1	
14932A Piston, 4T40E 2-3 Accumulator (Plastic) 1995-Up (Use 14927A)	1	24210506
14936A Spring, 4T40E 3-4 Accumulator (Outer) 1.670" Long 1995-Up (Use 14931A)	1	8685240
14937A Piston, 4T40E 3-4 Accumulator (Plastic) 1995-Up (Use 14927A)	1	24210506
14962A Piston, 4T40E 2nd Clutch (Bonded) 1995-Up	1	
14962AK Piston Set, 4T40E (Bonded) 1995-Up (Contains: 14962A, 14964A, 14964B, 14965A, 14966A,		
 14338A, 14969A)	1	
14964A Piston, 4T40E Forward Clutch (Inner)(Bonded)(Not Reusable if Taken Out) 1995-Up	1	
14964B Piston, 4T40E Forward Clutch (Outer)(Bonded) 1995-Up	1	
14965A Piston, 4T40E Direct Clutch (Outer)(Bonded) 1995-Up	1	
14966A Piston, 4T40E Reverse Clutch (Outer)(Bonded) 1995-Up	1	
14969A Piston, 4T40E Coast Clutch (Inner)(Bonded) 1995-Up	1	
14972A Spring & Retainer, 4T40E 2nd Clutch 1995-Up	1	
14974A Spring & Retainer, 4T40E Forward Clutch 1995-Up	1	
14975A Spring & Retainer, 4T40E Direct Clutch 1995-Up	1	
14976A Spring & Retainer, 4T40E Reverse Clutch 1995-Up	1	
14979A Spring, 4T40E Coast Clutch Return 1995-Up	1	
14986A Retainer, 4T40E 2nd Roller Clutch(Not Reusable if Taken Off) 1995-Up	1	24207224
14989A Retainer, 4T40E Coast Clutch Spring 1995-Up	1	
14991A Linkage Assy, 4T40E Internal 1995-Up	1	
14999A Tube Set, 4T40E Oil Tubes 1995-Up	1	

