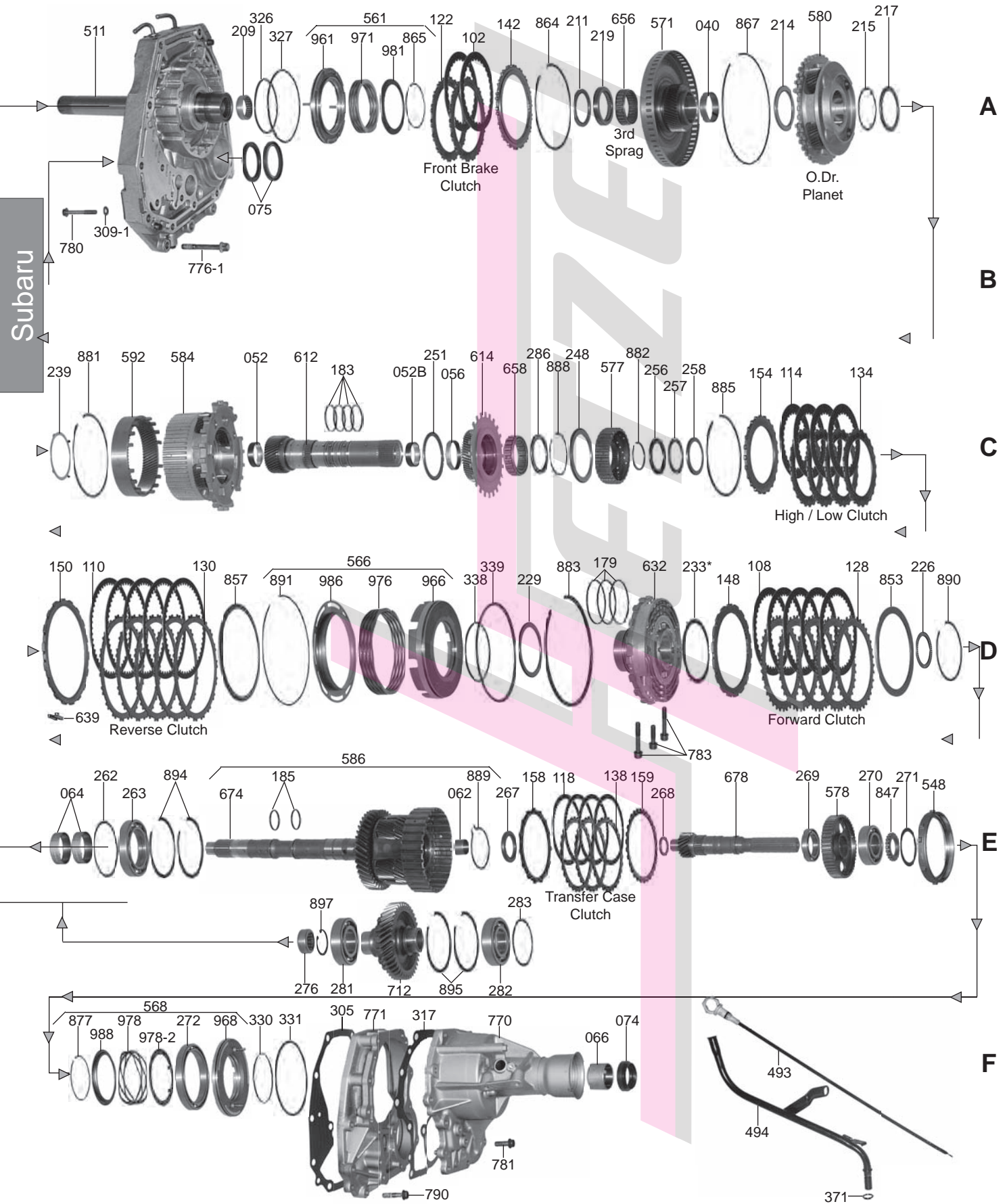


Subaru



PART #	OVERHAUL KITS	QTY	REFERENCE #
123002A	Overhaul Kit, 5EAT (Subaru) 2005-Up (For Bonded Pistons Sell A173982AK)	1	
PART #	MASTER L/STEELS KITS	QTY	REFERENCE #
123004A	Master L/Steels Kit, 5EAT (Subaru) 2005-Up (For Bonded Pistond Sell A173982AK)	1	
PART #	MASTER W/STEELS KITS	QTY	REFERENCE #
123006A	Master W/Steels Kit, 5EAT (Subaru) 2005-Up (For Bonded Pistons Sell A173982AK)	1	
123006A	Master W/Steels Kit, 5EAT (Subaru Legacy, Outback, B9 Tribeca) 5 Speed FWD 2005-06 (For Bonded Pistons Sell A173982AK)	1	
PART #	FILTERS	QTY	REFERENCE #
123010A	Filter, 5EAT Main (16 Bolt) 2005-Up	1	
PART #	BUSHINGS	QTY	REFERENCE #
123034A	Bushing, 5EAT Pump Body Tube (Front & Rear)(.725"Thick)(1.875"OD) 2005-Up (Takes 2)	2	
123035A	Bushing, 5EAT Inner Pump Gear (.410"Thick)(1.575"OD)(1.395"ID) 2005-Up	1	
173040A	Bushing, 5EAT Front Brake Clutch Hub 2005-Up	1	
173047A	Bushing, 5EAT Input Clutch Drum (Rear) 2005-Up	1	
173052A	Bushing, 5EAT Forward Sun Gear Shaft (Front)(.465"Wide)(1.240"ID)(With Dimples) 2005-Up	1	
173052B	Bushing, 5EAT Forward Sun Gear Shaft (Rear)(1.353"ID) 2005-Up	1	
173056A	Bushing, 5EAT Rear Sun Gear (1.948" ID) 2005-Up	1	
123062A	Bushing, 5EAT Intermediate Shaft/Sun Gear (.460"Thick)(.990"OD)(.850"ID) 2005-Up	1	
123064A	Bushing, 5EAT Case (Rear) (.375"Thick)(1.545"OD)(1.385"ID) 2005-Up (Takes 2)	2	
123066A	Bushing, 5EAT Rear Extension Housing (1.378"ID)(1.652" Long) 2005-Up	1	
PART #	METAL CLAD SEALS	QTY	REFERENCE #
123070A	Seal, 5EAT Front (.390"Thick)(2.580"OD)(1.955"ID) 2005-Up	1	
123074A	Seal, 5EAT Rear (Transfer Case) (.445"Thick)(1.970"OD)(1.360"ID) 2005-Up	1	
23075	Seal, 5EAT Pinion Shaft (.235"Thick)(2.604"OD)(2.000"ID) 2005-Up (Takes 2)	2	
123076A	Seal, 5EAT Axle (Both Sides) (.575"Thick)(1.980"OD)(1.330"ID) 2005-Up	1	
PART #	FRICTIONS	QTY	REFERENCE #
123102A	Friction, 5EAT Front Brake Clutch (Low) (.062")(30 Teeth)(5.225"OD) 2005-Up	2	
173104A	Friction, 5EAT Input Clutch (.069")(60 Teeth)(6 3/8"OD) 2005-Up (High Energy Eclipse)	6	
173106A	Friction, 5EAT Direct Clutch (.071") (24 Teeth)(6 1/4" OD) 2005-Up	5	
173108A	Friction, 5EAT Forward Clutch (.061") (39 Teeth)(5.784" OD) 2005-Up	5	
173110A	Friction, 5EAT Reverse Clutch (.069") (50 Teeth) (6 5/8"OD) 2005-Up	5	
173112A	Friction, 5EAT Low Coast Clutch (.063")(30 Teeth)(5.216" OD) 2005-Up	3	
173114A	Friction, 5EAT High-Low Clutch (.063")(30 Teeth)(4.915"OD) 2005-Up	4	
23118AA	Friction, 5EAT Transfer Case Clutch (.071")(50 Teeth)(4.650"OD) 2005-Up	4	
PART #	STEELS	QTY	REFERENCE #
123122A	Steel, 5EAT Front Brake Clutch (.110")(18 Teeth)(4.242"ID) 2005-Up	2	
173124A	Steel, 5EAT Input Clutch (.079")(24 Teeth)(5.673"ID) 2005-Up	6	
173126A	Steel, 5EAT Direct Clutch (.094")(24 Teeth)(5.539"ID) 2005-Up	5	
173128A	Steel, 5EAT Forward Clutch (.079")(18 Teeth)(4.895"ID) 2005-Up	5	
173130A	Steel, 5EAT Reverse Clutch (.079")(18 Teeth)(5 15/16"ID) 2005-Up	5	
173132AC	Steel, 5EAT Low Coast Clutch (.079")(18 Teeth)(4.449"ID) 2005-Up	3	
173134A	Steel, 5EAT High/Low Clutch (.094")(24 Teeth)(3.735"ID)(Teeth Are .210" Wide)(Fits The Aluminum Drum) 2005-Up	4	
23138A	Steel, 5EAT Transfer Clutch (.063")(30 Teeth) 2005-Up	3	
123138B	Steel, 5EAT Transfer Clutch (.080")(30 Teeth) 2005-Up	1	
PART #	PRESSURE PLATES	QTY	REFERENCE #
123142A	Pressure Plate, 5EAT Front Brake Clutch (.148")(18 Teeth)(4.245"ID) 2005-Up	1	
173144A	Pressure Plate, 5EAT Input Clutch (.180")(24 Teeth)(5.682"ID) 2005-Up	1	
173146A	Pressure Plate, 5EAT Direct Clutch (.154") (24 Teeth)(5.539" ID) 2005-Up	1	
173148A	Pressure Plate, 5EAT Forward Clutch (.133")(18 Teeth)(4.895"ID) 2005-Up	1	
173148AB	Pressure Plate, 5EAT Forward Clutch (.146")(18 Teeth)(4.895"ID) 2005-Up	1	
173148AD	Pressure Plate, 5EAT Forward Clutch (.165")(18 Teeth)(4.895"ID) 2005-Up	1	

173148AE.....	Pressure Plate, 5EAT Forward Clutch (.173")(18 Teeth)(4.895"ID) 2005-Up.....	1
173150AA.....	Pressure Plate, 5EAT Reverse Clutch (.165")(18 Teeth)(5 15/16" ID) 2005-Up.....	1
173150AB.....	Pressure Plate, 5EAT Reverse Clutch (.173")(18 Teeth)(5 15/16" ID) 2005-Up.....	1
173150AC.....	Pressure Plate, 5EAT Reverse Clutch (.181")(18 Teeth)(5 15/16" ID) 2005-Up.....	1
173150AD.....	Pressure Plate, 5EAT Reverse Clutch (.189")(18 Teeth)(5 15/16" ID) 2005-Up.....	1
173150AE.....	Pressure Plate, 5EAT Reverse Clutch (.197")(18 Teeth)(5 15/16" ID) 2005-Up.....	1
173150AF.....	Pressure Plate, 5EAT Reverse Clutch (.205")(18 Teeth)(5 15/16" ID) 2005-Up.....	1
173152A.....	Pressure Plate, 5EAT Low Coast Clutch (.168")(18 Teeth)(4.442"ID) 2005-Up.....	1
173152AA.....	Pressure Plate, 5EAT Low Coast Clutch (.172")(18 Teeth)(4.442"ID) 2005-Up.....	1
173154A.....	Pressure Plate, 5EAT High/Low Clutch (.163")(24 Teeth)(3.740"ID)(Teeth Are .210" Wide) (Fits The Aluminum Drum) 2005-Up.....	1
173154AA.....	Pressure Plate, 5EAT High/Low Clutch (.172")(24 Teeth)(3.740"ID)(Teeth Are .210" Wide) (Fits The Aluminum Drum) 2005-Up.....	1
23158B.....	Pressure Plate, 5EAT #158 & #159 (.143")(15 Teeth)(4.110"ID) 2005-Up.....	1
23158D.....	Pressure Plate, 5EAT #158 & #159 (.159")(15 Teeth)(4.110"ID) 2005-Up.....	1
123159A.....	Use 23158.....	1

PART #	SEALING RINGS	QTY	REFERENCE #
173177AT.....	Ring, 5EAT Input Shaft (1.177" OD)(Teflon, Lap Joint) 2005-Up (Takes 4).....	4	
173179AT.....	Ring, 5EAT Reverse Clutch (2.928" OD)(Teflon, Lap Joint) 2005-Up (Takes 3).....	3	
173183AT.....	Ring, 5EAT Forward Sun Gear Shaft (1.745" OD)(Teflon, Lap Joint) 2005-Up (Takes 4).....	4	
123185AT.....	Ring, 5EAT Intermediate Shaft (.091" Thick)(1.325"OD)(Teflon) 2005-Up (Takes 2).....	2	

PART #	WASHERS & BEARINGS	QTY	REFERENCE #
123209A.....	Caged Needle Bearing, 5EAT Pump Cover Plate (Stator)(Rear)(1.470"OD) (Cast # NTN 7E-HKS 33X38X12-1PX1) 2005-Up.....	1	
123211A.....	Bearing W/Race, 5EAT Pump Cover (Stator) To Front Brake Clutch Hub (.141"Thick)(2.485"OD) (1.893"ID) 2005-Up.....	1	
123214A.....	Bearing W/Races, 5EAT Transfer Case Planet To Output Shaft (.143" Thick)(2.949"OD) (2.212"ID) 2005-Up (Planet Must Be Taken Apart To Get Bearing Out).....	1	
123215A.....	Race, 5EAT Overdrive Planet To Input Drum (.032"Thick)(2.810"OD)(2.468"ID)(W/3 Inner Tabs) 2005-Up.....	1	
173217A.....	Bearing W/Race, 5EAT Overdrive Planet To Input Drum (.110"Thick)(2.948"OD)(2.325"ID) 2005-Up.....	1	
123219A.....	Caged Needle Bearing, 5EAT Front Brake Clutch Hub To Stator Shaft (.350"Thick)(2.495"OD) (Cast # NTN Japan NK 46.5 x 63.3 x 9) 2005-Up.....	1	
123233A.....	Use 173234A.....	1	
123235A.....	Use 173226A.....	1	
173226A.....	Bearing W/Race, 5EAT (#226 & #235)(.125" Thick)(2.355" OD)(1.787" ID) 2005-Up.....	1	
173229A.....	Bearing W/Race, 5EAT Direct Clutch Drum To Center Support (.109" Thick)(3.615" OD) (2.938" ID) 2005-Up.....	1	
173232A.....	Bearing W/Race, 5EAT Input Drum To Forward Planet (.110"Thick)(1.842"OD)(1.145"ID) 2005-Up.....	1	
173234A.....	Washer, 5EAT #233 & #234 (W/3 Outer Tabs)(.039" Thick)(4.250" OD)(3.618" ID) 2005-Up.....	1	
173236A.....	Race, 5EAT Low Coast Clutch Hub # 579 To Case (W/Shoulder)(2.258"OD)(1.788"ID) 2005-Up.....	1	
123237A.....	Spacer, 5EAT Pinion Bearing # 274 (Rear) To Nut (.700"Thick)(2.005"OD)(1.360"ID) 2005-Up.....	1	
173238A.....	Bearing W/Race, 5EAT Forward Planet To Rear Planet (.118"Thick)(3.295"OD)(2.708"ID) 2005-Up.....	1	
173239A.....	Race, 5EAT Forward Planet To Rear Planet (W/4 Outer Tabs)(.023"Thick)(3.150"OD)(2.700"ID) 2005-Up.....	1	
173248A.....	Bearing W/Races, 5EAT Rear Sun Gear To High-Low Clutch Hub (.142" Thick)(3.616" OD) (2.804" ID) 2005-Up.....	1	
173251A.....	Bearing W/Race, 5EAT Rear Planet To Rear Sun Gear (.110"Thick)(3.137"OD)(2.600"ID) 2005-Up.....	1	
173256A.....	Race, 5EAT High-Low Clutch Hub To High-Low Clutch Drum (Front)(.110" Thick)(2.366" OD) (1.752" ID) 2005-Up.....	1	
173257A.....	Bearing, 5EAT High-Low Clutch Hub To High-Low Clutch Drum (.078" Thick)(2.350" OD) (1.756" ID) 2005-Up.....	1	
173258A.....	Race, 5EAT High-Low Clutch Hub To High-Low Clutch Drum (Rear)(W/Outer Shoulder) (2.438" OD)(1.892" ID) 2005-Up.....	1	
173260A.....	Bearing W/Races, 5EAT High-Low Clutch Drum To Center Support #632 (.141" Thick) (2.618" OD)(1.916" ID) 2005-Up.....	1	
123262AA.....	Shim, 5EAT Case (Rear) To Ball Bearing # 263 (.022"Thick)(3.695"OD)(3.347"ID) 2005-Up.....	1	
123262AB.....	Shim, 5EAT Case (Rear) To Ball Bearing # 263 (.025"Thick)(3.695"OD)(3.347"ID) 2005-Up.....	1	
123263A.....	Ball Bearing, 5EAT Case (Rear) To Rear Planet (.630"Thick)(3.740"OD)(2.350"ID) (Cast # KOYO 6012R/48CS17) 2005-Up.....	1	

PART #	WASHERS & BEARINGS (Continued)	QTY	REFERENCE #
123267A	Bearing W/Races, 5EAT Transfer Case Planet To Intermediate Shaft/SunGear (.195"Thick) (2.075"OD)(1.415"ID) 2005-Up (Planet Must Be Taken Apart To Get Bearing Out)	1	
123268A	Washer, 5EAT Intern Shaft To Output Shaft(.109"Thk,1.245"OD, .875"ID)2005-Up	1	
123269A	Ball Bearing, 5EAT Output Shaft To Transfer Case Planet Housing (.388"Thick)(2.162"OD) (1.375"ID)(Cast # KOYO 6907) 2005-Up	1	
123270A	Ball Bearing, 5EAT Output Shaft To Extension Housing (.670"Thick)(2.560"OD)(1.260"ID) (Cast # KOYO 62/32R) 2005-Up	1	
123271AA	Shim, 5EAT Ball Bearing # 270 To Extension Housing (.007"Thick)(2.515"OD)(2.025"ID) 2005-Up	1	
123271AB	Shim, 5EAT Ball Bearing # 270 To Extension Housing (.011"Thick)(2.515"OD)(2.025"ID) 2005-Up	1	
123271AC	Shim, 5EAT Ball Bearing # 270 To Extension Housing (.019"Thick)(2.515"OD)(2.025"ID) 2005-Up	1	
123272A	Ball Bearing, 5EAT Transfer Clutch Piston To Apply Ring (.510"Thick)(4.330"OD)(3.335"ID) (Cast # NSK 6817B) 2005-Up	1	
123274A	Cone Brg, 5EAT Pinion To Retainer(17 Rollers)(.845"Thk,1.615"ID)(Cast # KOYO 46T0809048-1) 2005-Up (Takes 2)	2	
123276A	Caged Needle Bearing, 5EAT Pinion Shaft To Case (Rear)(.560"Thick)(1.585"OD) (Cast # NTN 7E-HKS 29.5 X 40 X 15PX1) 2005-Up	1	
123277AA	Shim, 5EAT Pinion Retainer To Pump Cover (.006"Thick)(6 Bolt) 2005-Up	1	
123277AB	Shim, 5EAT Pinion Retainer To Pump Cover (.013"Thick)(6 Bolt) 2005-Up	1	
123281A	Ball Bearing, 5EAT Driven Transfer Gear To Case (.710"Thick)(3.070"OD)(1.535"ID) Cast # KOYO DG3978) 2005-Up	1	
123282A	Ball Bearing, 5EAT Driven Transfer Gear To Extension Housing (.710"Thick)(3.150"OD) (1.575"ID)(Cast # NSK 6208) 2005-Up	1	
123283A	Shim, 5EAT Driven Transfer Gear Bearing # 282 To Extension Housing (.020"Thick) (3.510"OD)(3.155"ID) 2005-Up	1	
173285A	End Cap Washer, 5EAT Rear Sprag (Brass)(3.639" OD)(2.895" ID) 2005-Up (Takes 2)	2	
173286A	End Cap Washer, 5EAT 1st One Way Clutch (Brass)(2.600" OD)(1.945" ID) 2005-Up	1	
123291A	Cup Race, 5EAT Differential To Bell Housing (Both Sides)(.510"Thick)(3.150"OD)(2.485"ID) (Cast # KOYO STB4080) 2005-Up (Takes 2)	2	
123292A	Cone Bearing, 5EAT Differential To Bell Housing (Both Sides)(17 Rollers)(1.575"ID) (Cast # KOYO STB4080) 2005-Up (Takes 2)	2	

PART #	GASKETS & RUBBER COMPONENTS	QTY	REFERENCE #
123300A	Gasket, 5EAT (Subaru) Bottom Pan 2005-Up	1	
123305A	Gasket, 5EAT Case To Transfer Case Adapter (14 Holes) 2005-Up	1	
123309-1A	Washer/Seal, 5EAT Bolt # 780 To Pump Cover Plate (.069"Thick)(.790"OD)(.380"ID) 2005-Up	11	
123317A	Gasket, 5EAT Adapter To Transfer Case Extension Housing (15 Holes Plus 1 Large Hole) 2005-Up	1	
123318A	Gasket, 5EAT Pump Cover Plate To Case (Metal) 2005-Up	1	

PART #	ELECTRICAL COMPONENTS	QTY	REFERENCE #
123410A	PRNDL Switch, 5EAT (7 Prong Connector)(W/3 Bolt Bracket) 2005-Up	1	
123421A	Use 173421A	1	
173421A	Solenoid, 5EAT Input Clutch # 421, Direct Clutch # 422, And High/Low Reverse Clutch #423 2005-Up (Cast # 0 260 130 030)	1-3	
123422A	Use 173421A	1	
123423A	Use 173421A	1	
123425A	Use 173428A	1	
123428A	Use 173421A	1	
173428A	Solenoid, 5EAT TCC #425 , Line Pressure #428, Transfer #432, And Front Brake Clutch #450 2005-Up (Cast #0 260 130 031)	1-4	
123432A	Use 173428A	1	
123433A	Solenoid, 5EAT Low Coast Brake (Is Flat W/Hole On Opposite End Of O-Rings) 2005-Up	1	
123436-1A	Bracket, 5EAT (2 Bolt Holes) (Holds VSS Wire Harness To Case) 2005-Up	1	
123436A	Sensor, 5EAT VSS (W/1 Hole Bracket, Bolts To Bottom Rear Of Case)(W/13"Long Harness W/3 Pin Conn) 2005-Up	1	
123438A	Sensor, 5EAT ISS (W/1 Bolt Bracket)(3 Pin Connector) 2005-Up	1	
123442A	Fluid Pressure Sensor/Switch, 5EAT (8 Prong Connector)(Has 5 Sensors)(Black Plastic) 2005-Up	1	
123445A	Wire Harness, 5EAT Internal & External (1 Fifteen Wire & 1 Twelve Wire Green Internal Connector)(1 Twenty Prong Grey, 1 Eight Prong Brown & 1 Three Prong Black External Connector & 1 Sensor) 2005-Up	1	

123446A	Wire Harness, 5EAT (Internal) (8 Two Prong, 1 Ten Prong, 1 Fifteen Prong, 1 Five Prong, 1 Seven Prong, 1 Three Prong Connector & 3 Ground Wires, 1 Three Wire Sensor, & 1 Three Wire Double Sensor) 2005-Up	1
123450A	Use 173428A	1

PART #	MISCELLANEOUS COMPONENTS	QTY	REFERENCE #
123492-1A	Drain Plug, 5EAT Bell Housing (T70 Torx Head) 2005-Up	1	
123492A	Drain Plug, 5EAT Bottom Pan (Torx Plus TP50) 2005-Up	1	
123493-1A	Dipstick, 5EAT (In Bell Housing)(10 3/8" Overall Length) 2005-Up	1	
123493A	Dipstick, 5EAT (In Case)(20 1/4" Overall Length) 2005-Up	1	
123494-1A	Dip Stick Tube, 5EAT (Goes In The Bell Housing)(2" Long) 2005-Up	1	
123494A	Dip Stick Tube, 5EAT (Goes In The Case)(W/2 Brackets) 2005-Up	1	

PART #	HARDPARTS	QTY	REFERENCE #
123510A	Pump Body W/Gears, 5EAT (11 Bolt)(6 1/2" Long) 2005-Up	1	
123511A	Pump Cover Plate, 5EAT (Aluminum) (8 3/4" Stator Tube) 2005-Up	1	
123530A	Pump Gear Set, 5EAT (.448" Thick) (9 Teeth Inner Gear W/4 Inner Slots) 2005-Up	1	
123548A	Apply Ring, 5EAT Transfer Clutch To Piston (Aluminum)(9 Teeth)(.610" Thick)(3.860" ID) (Stepped ID For Ball Bearing # 272) 2005-Up	1	
123552A	Drum W/Shaft, 5EAT Input Clutch (W/106 Teeth Ring Gear)(W/24 Spline Shaft, 14 3/8" Long) 2005-Up	1	
123555A	Drum, 5EAT Direct Clutch (Aluminum, W/50 Teeth Clutch Hub)(Has 4 End Mill Notches Below The Steel Bore Sleeve) 2005-Up (Can Use 173555A)	1	
173555A	Drum, 5EAT Direct Clutch (Aluminum)(W/50 Teeth Clutch Hub) 2005-Up	1	
173557AB	Drum, 5EAT High/Low Clutch (Aluminum)(2.660" Tall Has No Steel Race On Back Of Drum) 2005-Up	1	
123559A	Drum, 5EAT Low Coast Clutch (Aluminum)(3 Clutch)(Cast # 31575 VF000) 2005-Up (This Is Also The Piston For The Forward Clutch)	1	
123561A	Piston Kit, 5EAT Front Brake Clutch (Alum Piston Is 1.130" Thick)(4.905" OD)(3.205" ID) (W/2 Steel Pins) 2005-Up	1	
173562AA	Piston Kit, 5EAT Input Clutch (W/Aluminum Piston)(1.255" Thick) 2005-Up	1	
173565AA	Piston Kit, 5EAT Direct Clutch (W/Aluminum Piston)(2.605" Thick)(6 1/8" OD) 2005-Up	1	
173566A	Piston Kit, 5EAT Reverse Clutch (Aluminum Piston)(1" Thick)(6 3/8" OD) 2005-Up	1	
173567AA	Piston Kit, 5EAT High/Low Clutch (Aluminum Piston)(1.225" Thick)(4.880" OD) 2005-Up	1	
123568A	Piston Kit, 5EAT Transfer Clutch (Aluminum Piston .365" Thick At Edge)(Contains: # 871, 988, 978, 978-2, 968) 2005-Up	1	
123569A	Piston Kit, 5EAT Low Coast Clutch (Accordion Type Spring) 2005-Up	1	
123571A	Hub, 5EAT Front Brake Clutch (50 Teeth Sun Gear)(30 Teeth Clutch Hub)(With 7 7/16" OD Reluctor W/60 Slots) 2005-Up	1	
173577A	Hub, 5EAT High-Low Clutch (1" Thick)(30 Teeth)(46 Internal Splines) 2005-Up	1	
123578A	Clu Hub, 5EAT Transfer Clutch (50 Clutch Splines)(.720" Thick)(4.090" OD) 2005-Up	1	
173579A	Clutch Hub, 5EAT Low Coast Clutch With Inner Race (W/30 Teeth)(W/42 Internal Splines) 2005-Up	1	
173580A	Planet, 5EAT Overdrive (Aluminum)(4 Gear)(Uses A 50 Teeth Sun Gear #610)(28 Teeth Pinion Gears) 2005-Up	1	
173582A	Planet, 5EAT Forward (4 Gear Steel)(Uses A 42 Teeth Sun Gear #612)(W/30 Internal Splines) 2005-Up	1	
173584A	Planet, 5EAT Rear (4 Gear, Aluminum)(W/60 Teeth Input Clutch Hub)(Uses A 62 Teeth Sun Gear # 614) 2005-Up	1	
123586A	Planet, 5EAT Transfer Case (4 Gear)(Uses A 19 Teeth Sun Gear/Shaft #678 & A 35 Teeth Sun Gear/Shaft # 674) 2005-Up (Use 123586AK)	1	
123586AK	Planet Assembly, 5EAT (4 Gear)(With 35 Teeth Sun Gear/Intermediate Shaft #674)(W/41 Teeth Drive Transfer Gear) 2005-Up	1	
173592A	Ring Gear, 5EAT Forward Planet (78 Teeth)(W/16 Rear Lugs) 2005-Up	1	
173594A	Ring Gear, 5EAT Rear Planet With Connecting Shell (W/110 Teeth Ring Gear) 2005-Up	1	
173612A	Sun Gear W/Shaft, 5EAT Forward Planet (42 Teeth)(9 1/4" Long)(W/3 Machined Lands, 4 Rings & 14 Cross Drilled Holes) 2005-Up	1	
173614A	Sun Gear, 5EAT Rear Planet (62 Teeth)(W/Outer Sprag Race) 2005-Up	1	
123632A	Center Support, 5EAT (Reverse Clutch Piston Housing)(Aluminum With A 3 Ring, 3.195" Tall Ring Tower)(W/4 Ball Plugs Under Where # 226 Bearing Rides) 2005-Up	1	
173639A	Anti Rattle Clip, 5EAT Reverse Clutch (Z Shaped)(.175" Thick)(1.160" Long)(.620" Wide) 2005-Up	1	

PART #	SPRAGS AND ONE WAY CLUTCHES	QTY	REFERENCE #
173654A	Sprag, 5EAT Rear (28 Lug)(Metal Cage) 2005-Up	1	
173656A	Sprag, 5EAT 3rd (26 Lug)(Metal Cage) 2005-Up	1	
173658A	Sprag, 5EAT 1st One Way Clutch (22 Lug)(Metal Cage) 2005-Up	1	
173665A	Outer Race, 5EAT Rear Sprag (W/39 Teeth Clutch Hub) 2005-Up	1	

Subaru

PART #	HARDPARTS CONTINUED	QTY	REFERENCE #
123671A	Pump Drive Tube, 5EAT (6 3/8" Long)(W/2 Ears For Slotted Pump Gears) 2005-Up	1	
123674A	Intermediate Shaft/Sun Gear, 5EAT (15 1/8"Long)(35 Teeth Sun Gear) 2005-Up (Use 123586AK)	1	
123678A	Shaft/Sun Gear, 5EAT Output (19 Teeth Sun Gear)(9 5/16"Long) 2005-Up	1	
123690A	Parking Gear, 5EAT (16 Lugs) (Slides Onto The Driven Transfer Gear Shaft, Uses A Snap Ring To Hold It On) 2005-Up	1	
123712A	Driven Transfer Gear, 5EAT (Parking Gear Is Held On By A Snap Ring) 2005-Up	1	
123712AB	Driven Transfer Gear, 5EAT (41 Teeth)(W/16 Lug Parking Gear Made Onto The Shaft) 2005-Up	1	
123715A	Differential, 5EAT (43 Teeth Ring Gear)(12 Bolt) 2005-Up	1	
123725A	Retainer, 5EAT Differential Bearing (Both Sides)(Adjuster) 2005-Up (Takes 2)	2	
23727E	Clip, 5EAT Holds Differential Retainer In Place (Both Sides) 2005-Up	2	
123730A	Pinion, 5EAT (12 Teeth)(18 1/2" Long) 2005-Up	1	
123735A	Retainer, 5EAT Pinion Bearing (6 Bolt)(W/Cup Races Made In) 2005-Up	1	
123740A	Valve Body, 5EAT (8 Solenoids) (Cast # 214126 On Filter Side, 21415 On Top Side) 2005-Up	1	
123750A	Bell Housing, 5EAT (10 1/2"Long)(11 Holes To Engine)(11 Threaded Holes To Case) 2005-Up	1	
123760A	Case, 5EAT (16 1/2"Long)(21 Pan Bolts)(11 Bolts To Bell) 2005-Up	1	
123765A	Pan, 5EAT Bottom (21 Bolt) (1.945" At Deep End) 2005-Up	1	
123770A	Transfer Case Extension Housing, 5EAT (Aluminum)(8 13/16"Long)(11 Bolt)(W/6 Threaded Bosses) 2005-Up	1	
123771A	Adapter, 5EAT Case To Transfer Case Extension Housing (Aluminum)(1.660"Thick)(8 Bolts To Case) 2005-Up	1	
123776-1AK	Bolt Set, 5EAT Pump Cover Plate To Bell Housing (3 Pieces) 2005-Up	1	
123776AK	Bolt Set, 5EAT Case To Bell Housing (8 Pieces) 2005-Up	1	
123777AK	Bolt Set, 5EAT Pump Body To Pump Cover (11 Pieces) 2005-Up	1	
123779AK	Bolt Set, 5EAT Bottom Pan (21 Pieces) 2005-Up	1	
123780AK	Bolt Set, 5EAT Pump Cover Plate To Case (6 Pieces) 2005-Up	1	
123781AK	Bolt Set, 5EAT Transfer Case Extension Housing To Adapter (11 Pieces) 2005-Up	1	
123782AK	Bolt Set, 5EAT Valve Body To Case (9 Pieces) 2005-Up	1	
123783AK	Bolt Set, 5EAT Center Support To Case (3 Pieces) 2005-Up	1	
123786AK	Bolt Set, 5EAT Differential Housing To Ring Gear (12 Pieces) 2005-Up	1	
123787AK	Bolt Set, 5EAT Pinion Retainer To Pump Cover (6 Pieces) 2005-Up	1	
123790AK	Bolt Set, 5EAT Adapter To Case (8 Pieces) 2005-Up	1	
123791AK	Bolt Set, 5EAT Holds Internal Wire Harness Plate & Solenoids To Valve Body (20 Pieces) 2005-Up	1	
123793AK	Bolt Set, 5EAT Main Filter (16 Pieces) 2005-Up	1	
23797A	Nut, 5EAT Holds Pinion Bearing To Shaft (38mm Head) 2005-Up	1	
123799A	Retaining Bolt, 5EAT Holds Manual Lever In Case (10mm Hex Head)(.775"Long W/Pilot Tip) 2005-Up	1	
123847A	Reluctor, 5EAT (22 Teeth)(.242"Thick)(1.140"ID) 2005-Up	1	
173853A	Cushion, 5EAT Forward Clutch (.094"(.5.878"OD)(4.830"ID) 2005-Up	1	
123857A	Cushion, 5EAT Reverse Clutch (.079"Thick)(Dished)(6 11/16"OD) 2005-Up	1	
123862A	Snap Ring, 5EAT Pump Drive Tube (Front) 2005-Up	1	
123864A	Snap Ring, 5EAT Holds Front Brake Clutch Pressure Plate In (.071"Thick)(5.655"OD) 2005-Up	1	
123865A	Snap Ring, 5EAT Holds Front Brake Clutch Retainer In (.038"Thick)(2.960"OD) 2005-Up	1	
173867A	Snap Ring, 5EAT Holds Overdrive Planet To Shell # 594 (.078" Thick)(7 3/16" OD)(6 15/16" ID) 2005-Up (Some Have Hooked Ends, Some Don't, All Retro-Fit)	1	
173871A	Snap Ring, 5EAT Holds Low Coast Clutch Springs In (.047" Thick)(2.268" OD)(2.002" ID) 2005-Up	1	
173873A	Snap Ring, 5EAT Holds Input Clutch Pressure Plate In (.079" Thick)(6 3/4" OD)(6 3/8" ID) 2005-Up	1	
173874A	Snap Ring, 5EAT Holds Input Clutch Retainer In (.063" Thick)(2.008" OD)(1.736" ID) 2005-Up	1	
123877A	Snap Ring, 5EAT Holds Transfer Clutch Spring Retainer In (.046"Thick)(2.925"OD) 2005-Up	1	
173878A	Snap Ring, 5EAT Holds Direct Clutch Pressure Plate In (.102" Thick)(6 11/16" OD)(6 1/4" ID) 2005-Up	1	
173879A	Snap Ring, 5EAT Holds Direct Clutch Retainer In Drum (.062" Thick)(3.257" OD)(2.984" ID) 2005-Up	1	
173881A	Snap Ring, 5EAT Holds Forward Planet Ring Gear To Rear Planet (.063" Thick)(5.475" OD) (5.096" ID) 2005-Up	1	
173882A	Snap Ring, 5EAT Holds High-Low Clutch Hub To Forward Sun Gear Shaft (.079" Thick) (1.916" OD)(1.638" ID) 2005-Up	1	
173883A	Snap Ring, 5EAT Holds Center Support In Case (.158" Thick)(7 1/4" OD)(6 5/8" ID) 2005-Up	1	
173885A	Snap Ring, 5EAT Holds High-Low Clutch Pressure Plate In (.078" Thick)(5.322" OD)(4.935" ID) 2005-Up	1	
173886A	Snap Ring, 5EAT Holds High-Low Clutch Retainer In (.054"Thick)(2.483"OD)(2.208"ID) 2005-Up	1	
173888A	Snap Ring, 5EAT Holds 1st One Way Clutch Hub In Rear SunGear (.038" Thick)(2.789" OD) (2.479" ID) 2005-Up	1	

123889A Snap Ring, 5EAT Holds Pinion Pins In Transfer Case Planet (.042"Thick)(2.770"OD)(W/Bent Ends) 2005-Up 1
173890A Snap Ring, 5EAT Holds Rear Sprag To Outer Race (.037" Thick)(3.935" OD)(3.550" ID) 2005-Up 2
173891A Snap Ring, 5EAT Holds Reverse Clutch Spring In (.047" Thick)(7 3/16" OD)(6 7/8" ID) 2005-Up 1
173892A Snap Ring, 5EAT Holds Reverse Clutch Pressure Plate In Case (.078"Thick)(7 3/16" OD) (6 3/4" ID) 2005-Up 1
123894A Snap Ring, 5EAT Inside Of The Drive Transfer Gear (.082"Thick)(3.983"OD) 2005-Up (Also Fits 5EAT Inside Of The Driven Transfer Gear # 895 2005-Up) 2-4
123895A Use 123894A 2
123897A Snap Ring, 5EAT Holds Needle Bearing In Case (.073"Thick)(1.680"OD)(W/2 Eyelets) 2005-Up 1
123899A Snap Ring, 5EAT Holds Parking Gear To Driven Transfer Gear Shaft (W/2 Eyelets) 2005-Up 1
123961A Piston, 5EAT Front Brake Clutch (Aluminum)(1.130"Thick)(4.905"OD)(3.205"ID)(W/2 Steel Pins) 2005-Up 1
173962AA Piston, 5EAT Input Clutch (Aluminum)(1.255"Thick)(6 3/8"OD) 2005-Up 1
173965AA Piston, 5EAT Direct Clutch (Aluminum)(2.605"Thick)(6 1/8"OD) 2005-Up 1
173966A Piston, 5EAT Reverse Clutch (Aluminum) (1" Thick)(6 3/8" OD) 2005-Up 1
173967AA Piston, 5EAT High/Low Clutch (Aluminum)(1.225"Thick)(4.880"OD) 2005-Up 1
123968A Piston, 5EAT Transfer Clutch (Aluminum)(.365"Thick At The Edge)(5.030"OD)(2.950"ID) 2005-Up 1
123969A Piston, 5EAT Low Coast Clutch (Aluminum)(5.170"OD)(2.255"ID)(Uses Accorsian Type Spring) 2005-Up 1
123971A Spring, 5EAT Front Brake Clutch Return (.630"Thick)(3.460"OD)(2.910"ID)(Spiral) 2005-Up 1
173972A Springs, 5EAT Input Clutch Return (18 Springs W/Retainer) 2005-Up 1
173975A Springs, 5EAT Direct Clutch Return (W/Retainer)(20 Springs) 2005-Up 1
173976A Spring, 5EAT Reverse Clutch (Wavy)(Coiled)(5 5/8" OD) 2005-Up 1
173977A Springs, 5EAT High-Low Clutch Return (W/Retainer)(18 Springs) 2005-Up 1
123978-2A Spring Washer, 5EAT Transfer Clutch Spring Bottom Retainer (.032"Thick)(3.730"OD)(3.020"ID) (6 Inner Tabs) 2005-Up 1
123978A Spring, 5EAT Transfer Clutch Return (.720"Thick)(3.510"OD)(Accordian Type) 2005-Up 1
123979A Spring, 5EAT Low Coast Clutch Return (3.705"OD)(AccordianType) 2005-Up 1
123981A Retainer, 5EAT Front Brake Clutch Return Spring (.195"Thick)(3.655"OD)(2.888"ID) 2005-Up 1
173982A Retainer, 5EAT Input Clutch Return Spring (W/Bonded Rubber)(4 5/16" OD) 2005-Up 1
173982AK Retainer/Piston Kit, 5EAT (W/Bonded Rubber) 2005-Up (Contains: # 982, 985 & 987) 1
173985A Retainer, 5EAT Direct Clutch Spring (W/Bonded Rubber)(5"OD) 2005-Up 1
173986A Retainer, 5EAT Reverse Clutch Spring (6 11/16" OD) 2005-Up 1
173987A Retainer, 5EAT High-Low Clutch Spring (W/Bonded Rubber)(4 3/16"OD) 2005-Up 1
123988A Retainer, 5EAT Transfer Clutch Spring (.228"Thick)(3.630"OD)(2.950"ID) 2005-Up 1
123989A Retainer, 5EAT Low Coast Clutch Return Spring (3.870"OD)(Accordian Type Single Spring) 2005-Up 1
123991-2 Spring, 5EAT Rooster Comb Detent (1 Bolt To Case) 2005-Up 1
123991-3A Rooster Comb, 5EAT (W/4 Detent Notches) 2005-Up 1
123991-5A Roll Pin, 5EAT Holds Rooster Comb To Manual Lever Shaft (.880"Long) 2005-Up 1
123992A Manual Lever, 5EAT (External) (Lever Has 1 Linkage Stud) 2005-Up 1
123994A Park Rod Actuator, 5EAT (12" Long) 2005-Up 1
123995A Park Pawl Assembly, 5EAT (Contains: # 995-1, 995-2, 995-3, 991-6) 2005-Up 1
123996-1A Banjo Fitting, 5EAT Cooler Line (Top)(W/1 Hole Bracket) 2005-Up 1
123996-2A Bolt, 5EAT (Banjo)(Holds Bottom Cooler Line To Case)(21mm Hex Head) 2005-Up 1
123996-3A Spring, 5EAT Under Bottom Cooler Line Fitting In Case (.345"OD)(1.890"Long) 2005-Up 1
123996-4A Check Ball, 5EAT Under Bottom Cooler Line Fitting In Case (.435"OD) 2005-Up 1
123996-6A Bolt, 5EAT (Banjo)(Holds Top Cooler Line To Case)(Tork Plus Head) 2005-Up 1
123996A Banjo Fitting, 5EAT Cooler Line (Bottom)(W/2 Hole Bracket) 2005-Up 1

A

B

C

D

E