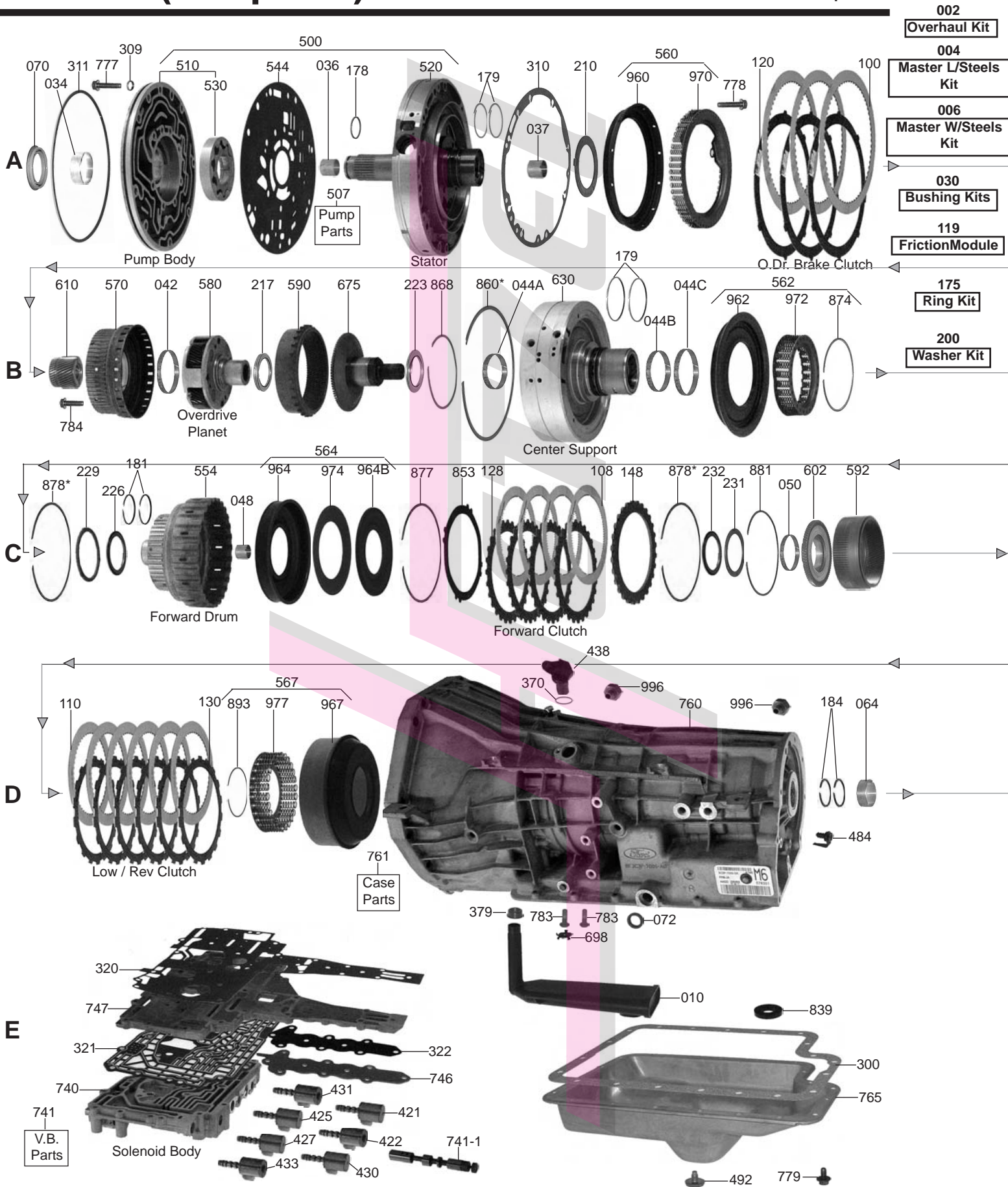
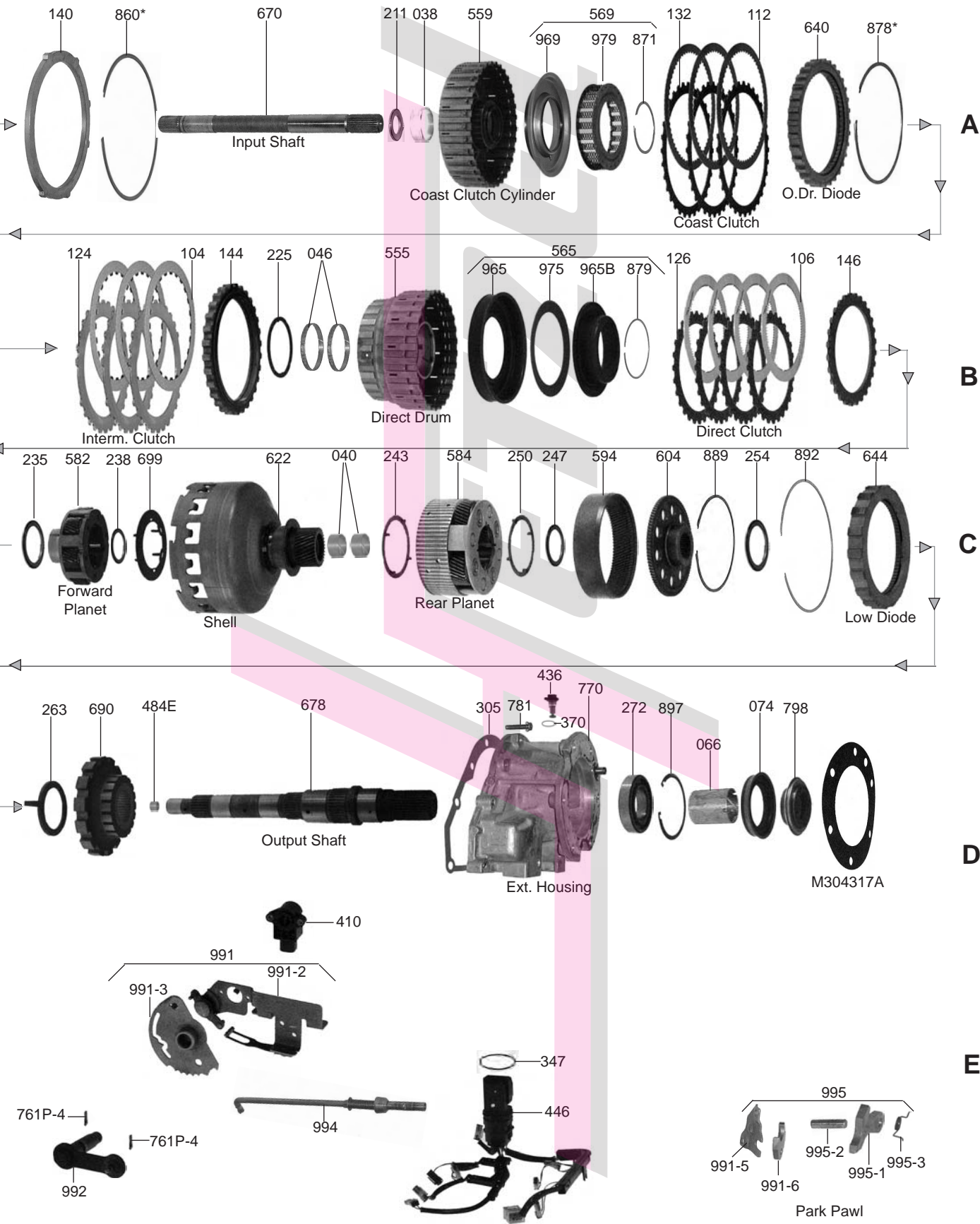


5R110W (TorqShift)

RWD 5 & 6 Speed



FORD



FORD

5R110W (TorqShift)

RWD 5 & 6 Speed

PART #	PAPER & RUBBER KIT	QTY	REFERENCE #
136002A	Overhaul Kit, 5R110W (Torqshift) 2003-Up (4x4 Adapter Housing Seal Not Included) (Sell 136074A Separately)	1	
136002AP	Overhaul Kit, 5R110W (Torqshift) With Bonded Pistons 2003-Up (4x4 Adapter Housing Seal Not Included)(Sell 136074A Separately)	1	

PART #	MASTER L/STEELS KIT	QTY	REFERENCE #
136004A	Master L/Steels Kit, 5R110W (Torqshift) 2003-04 (4x4 Adapter Housing Seal Not Included) (Sell 136074A Separately)	1	
136004AP	Master L/Steels Kit, 5R110W (Torqshift) W/Bonded Pistons 2003-04 (4x4 Adapter Housing Seal Not Included)(Sell 136074A Separately)	1	
136004AA	Master L/Steels Kit, 5R110W (Torqshift) 2005-Up (4x4 Adapter Housing Seal Not Included) (Sell 136074A Separately)	1	
136004AAP	Master L/Steels Kit, 5R110W (Torqshift) W/Bonded Pistons 2005-Up (4x4 Adapter Housing Seal Not Included)(Sell 136074A Separately)	1	

PART #	MASTER W/STEELS KIT	QTY	REFERENCE #
136006A	Master W/Steels Kit, 5R110W (Torqshift) 2003-04 (4x4 Adapter Housing Seal Not Included) (Sell 136074A Separately)	1	
136006AP	Master W/Steels Kit, 5R110W (Torqshift) W/Bonded Pistons 2003-04 (4x4 Adapter Housing Seal Not Included)(Sell 136074A Separately)	1	
136006AA	Master W/Steels Kit, 5R110W (Torqshift) 2005-Up (4x4 Adapter Housing Seal Not Included) (Sell 136074A Separately)	1	
136006AAP	Master W/Steels Kit, 5R110W (Torqshift) W/Bonded Pistons 2005-Up (4x4 Adapter Housing Seal Not Included)(Sell 136074A Separately)	1	

PART #	FILTERS	QTY	REFERENCE #
136010A	Filter, 5R110W 2003-06	1	3C3Z-7A098-AA
136010B	Filter, 5R110W 2007-Up	1	
136013A	Cartridge Filter, 5R110W ("The Trap")(External) 2003-Up	1	
136013AK	Filter, 5R110W By-Pass (Element) With O-Ring (OE) 2003-Up	1	
136013B	Filter, 5R110W Inline (Metal) (Uses 2 Inlet Lines & 2 Outlet Lines) 2007-Up	1	

PART #	BUSHINGS	QTY	REFERENCE #
136030A	Bushing Kit, 5R110W 2003-Up (16 Bushings)	1	
76034	Bushing, 5R110W Pump (Bronze) (.702" Tall) 2003-Up (Can Use 36034EB)	1	
36034EB	Bushing, 5R110W Pump Body (Bronze) (.702" Tall) 2003-Up (Can Use 76034)	1	
36036	Bushing, 5R110W Stator (Front)	1	C6AZ-7B261-C
36037	Bushing, 5R110W Stator (Rear)	1	C6AZ-7D018-A
136038A	Bushing, 5R110W Coast Clutch Drum (Babbitt) 2003-Up	1	
136040A	Bushing, 5R110W Shell W/Sun Gear (Takes 2) 2003-Up (Use 36040)	2	
36040	Bushing, 5R110W Shell W/Sun Gear (Takes 2) 2003-Up	2	
136042A	Bushing, 5R110W Coast Clutch Hub (.415" Wide) (3.0" ID) 2003-Up	1	
136044A	Bushing, 5R110W Center Support (Front) (1.840"ID) 2003-Up	1	
136044B	Bushing, 5R110W Center Support (Center) (1.735"ID) 2003-Up	1	
136044C	Bushing, 5R110W Center Support (Rear) (1.985"ID) 2003-Up	1	
136046A	Bushing, 5R110W Direct Drum (Front & Rear) (Takes 2) 2003-Up	2	
136048A	Bushing, 5R110W Forward Drum (.905"ID) 2003-Up	1	
136050A	Bushing, 5R110W Forward Hub (2.038"ID) 2003-05	1	
136050C	Bushing, 5R110W Forward Hub (1.908"ID) 2005-Up	1	
136064A	Bushing, 5R110W Case (1.740"ID) With Oil Pockets 2003-Up	1	
136066A	Bushing, 5R110W 2WD Extension Housing (1.200" Long)(2.090"ID) 2003-Up	1	

PART #	METAL CLAD SEALS	QTY	REFERENCE #
76070B	Seal, 5R110W Front With Flange (Black Viton) 2003-Up	1	E9TZ-7A248-B
36072	Seal, 5R110W Linkage Shaft 2003-Up	1	D5AZ-7B498-A
136074A	Seal, 5R110W Extension Housing (4x4) (Cast #3C3P-7052-BB) 2003-Up (With Flange) (3.885"OD)(2.386"ID)	1	3C3Z-7052-BA
36074B	Seal, 5R110W Rear (2.506"OD)(With Boot)	1	

PART #	FRICTION CLUTCH	QTY	REFERENCE #
136100A	Friction, 5R110W Overdrive Brake Clutch (.078") 32 Teeth (Smooth) 2003-Up (Also Fits 4R100 Overdrive Clutch 1998-Up)	3	3C3Z-7B164-AA

136104A	Friction, 5R110W Intermediate Clutch (.078") 24 Teeth (Star Burst) 2003-04	3	3C3Z-7B164-EA
136104AA	Friction, 5R110W Intermediate Clutch (.078") 96 Teeth 2005-Up	4	5C3Z-7B164-AA
136106A	Friction, 5R110W Direct Clutch (.078") 48 Teeth (Smooth W/32 Grooves) 2003-Up	4	3C3Z-7B164-DA
136108A	Friction, 5R110W Forward Clutch (.078") 90 Teeth (Smooth W/32 Grooves) 2003-04	4	3C3Z-7B164-BA
136108AA	Friction, 5R110W Forward Clutch (.078") 76 Teeth 2005-Up	4	5C3Z-7B164-BA
36110	Friction, 5R110W Low/Reverse Clutch (.078")(72 Teeth) 2003-Up	6	
136112A	Friction, 5R110W Coast Clutch (.078") 59 Teeth (Starburst) 2003-Up	3	3C3Z-7B164-FA
136119A	Friction Module, 5R110W 2003-04	1	
136119AA	Friction Module, 5R110W 2005-Up	1	
136119AAS1	Friction Module, 5R110W (Stage 1) 2005-Up	1	

PART #	STEEL CLUTCH	QTY	REFERENCE #
136120A	Steel, 5R110W Overdrive Brake (.079") 6 Teeth 2003-Up (Has 1 Wide Tooth)	2	3C3Z-7B442-AA
136124A	Steel, 5R110W Intermediate Clutch (.125")(26 Teeth)(6 7/16"ID) 2003-04	3	
136124AA	Steel, 5R110W Intermediate Clutch (.116")(26 Teeth)(6 7/16"ID) 2005-Up	3	5C3Z-7B442-AA
36145	Steel, 5R110W Intermediate Clutch (.124") 2003-Up	3	E9TZ-7B066-C
136126A	Steel, 5R110W Direct Clutch (.079") (28 Teeth) (5.129"ID) 2003-1/05 (Also Fits 5R110W Forward Clutch 2003-04)	4-8	3C3Z-7B442-CA
136128A	Use 136126A	4	
136128AA	Steel, 5R110W Forward Clutch (.079") 20 Teeth (5.380"ID) 2005-Up	4	5C3Z-7B442-BA
36130	Steel, 5R110W Low/Reverse Clutch (.068") 2003-Up	6	E9TZ-7B442-E
136132A	Steel, 5R110W Coast Clutch (.079") 32 Teeth (Notched Teeth) 2003-Up (Takes 3)		
	Can Use 36132E, But These Are Not Notched Teeth	3	3C3Z-7B442-EA

PART #	CLUTCH PRESSURE PLATES	QTY	REFERENCE #
36140A	Pressure Plate, 5R110W Overdrive Clutch (.320")(6 Teeth) 2003-04	1	F3TZ-7B066-A
136140AA	Pressure Plate, 5R110W Overdrive Brake Clutch (.318" Thick At Edge)(Stepped)(5 Small Teeth And 2 Wide Teeth) 2005-Up	1	
136144A	Pressure Plate, 5R110W Interm Clutch (.675" Thick) 30 Teeth (Stepped) 2003-04	1	3C3Z-7B066-BA
136144B	Pressure Plate, 5R110W Intermediate Clutch (.523" Thick) 29 Teeth (With 3 Humps) 2005-Up (Has 1 Tooth Missing)	1	5C3Z-7B066-BA
136144BD	Pressure Plate, 5R110W Intermediate Clutch (.355")(29 Teeth)(With 3 Humps) 2005-Up (Has One Tooth Missing)	1	
36145	Pressure Plate, 5R110W (Intermediate Steel #124) 2003-04	3	E9TZ-7B066-C
136146A	Pressure Plate, 5R110W Direct Clutch (.204" Thick) (25 Teeth Or 28 Teeth)(5.129"ID) 2003-Up (Also Fits 5R110W Forward Clutch 2003-04)	1-2	3C3Z-7B066-AA
136146B	Pressure Plate, 5R110W Direct Clutch (.292" Thick) (25 Teeth Or 28 Teeth)(5.129"ID) 2003-Up (Also Fits 5R110W Forward Clutch 2003-04)	1-2	
136148A	Pressure Plate, 5R110W Forward Clutch (.204" Thick)(28 Teeth)(5.380"ID) 2005-Up	1	

PART #	SHIFT KITS	QTY	REFERENCE #
T136165A	Shift Kit, 5R110W (Gas & Diesel) 2003-07 (Transgo)	1	5R110W

PART #	OIL SEALING RINGS	QTY	REFERENCE #
136175AT	Ring Kit, 5R110W (Teflon) 2003-Up	1	
36178AT	Ring, 5R110W Stator (Front) (Teflon)	1	
136179AT	Ring, 5R110W Coast Clutch (Teflon) 2003-Up	2	3C3Z-7D025-AA
136179BT	Ring, 5R110W Direct Clutch (.100" Wide) (Vespel) 2003-Up	1	
136181A	Ring, 5R110W Forward Clutch (Vespel) 2003-Up (Use 74179BT)	2	3C3Z-7D019-BA
74179BT	Ring, 5R110W Forward Clutch (#181) (Solid)(Teflon)	2	
136184A	Ring, 5R110W Case To Output Shaft (Teflon) 2003-Up	2	3C3Z-7D019-AB

PART #	WASHERS & BEARINGS	QTY	REFERENCE #
136200A	Washer Kit, 5R110W 2003-Up	1	
36210GA	Washer, 5R110W Stator (.055" Thick) (Plastic) 2003-Up	1	F1TZ-7D014-A
36211	Bearing, 5R110W Stator To Overdrive Sun Gear 2003-Up	1	3L3Z-7C096-BA
36217	Bearing W/Races, 5R110W Overdrive Planet To Hub 2003-Up	1	E6DZ-7F240-A
136223A	Use 36254C	1	
36254C	Bearing W/Races, 5R110W Overdrive Hub To Center Support 2003-Up	1	E6DZ-7G178-A
136225AD	Washer, 5R110W Center Support (Rear) .177" (#4) 2003-Up (Plastic) 2 Tab	1	3C3Z-7L326-AA
136226A	Bearing W/Races, 5R110W Center Support To Forward Drum 2003-Up (.140" Thick) (2.740"OD)	1	3C3Z-7C096-BA
136229A	Washer, 5R110W Direct Drum To Forward Drum (3 Slots) 2003-Up (Plastic) (.138" Thick)	1	3C3Z-7F374-AA

5R110W (TorqShift)

RWD 5 & 6 Speed

FORD

PART #	WASHERS & BEARINGS (Continued)	QTY	REFERENCE #
36231	Washer, 5R110W Forward Drum To Hub (2.865"OD With 3 Half Round Tabs) 2003-04 (For Small Planet)	1	C9AZ-7D090-A
136231C	Washer, 5R110W Forward Drum To Hub (Plastic) (3.030"OD) (With 3 Round Tabs That Snap Onto The Hub # 602) 2005-Up (For Large Planet)	1	
136232A	Bearing W/Races, 5R110W Forward Drum To Hub 2003-Up (.215" Thick) (2.100"OD)		
	Also Fits 5R110W Forward Planet To Sun Gear #238 & Sun Gear To Rear Hub #247	1-3	3C3Z-7D234-AA
36235CA	Bearing W/Races, 5R110W Forward Hub To Forward Planet 2003-04 (.157" Thick)(3.385"OD)	1	F81Z-7A166-AA
136235C	Bearing W/Races, 5R110W Forward Hub To Forward Planet 2005-Up (.174" Thick) (2.865"OD)	1	5C3Z-7A166-AA
136238A	Use 136232A	1	
136243A	Washer, 5R110W Shell W/Sun Gear To Rear Planet 2003-Up (Plastic) 4 Tab		
	Also Fits 5R110W Rear Planet To Rear Hub	1-2	3C3Z-7A166-CA
136247A	Use 136232A	1	
136250A	Use 136243A	1	
136254A	Bearing W/Races, 5R110W Rear Ring Gear Hub To Case (3 Tabs) .145" Thick		
	(2.508"OD) 2003-Up	1	3C3Z-7G178-AA
36254C	Bearing W/Races, 5R110W Overdrive Hub To Center Support (#223) 2003-Up	1	E6DZ-7G178-A
136263A	Washer, 5R110W Case To Park Gear (Plastic) (1 Tab) 2003-Up	1	3C3Z-7B368-CA
136272A	Ball Bearing, 5R110W Extention Housing To Output Shaft (2WD & 4x4) 2003-Up		
	(10 Balls, .747" Thick, 1.770"OD, 3.348"OD)	1	
PART #	GASKETS & RUBBER COMPONENTS	QTY	REFERENCE #
36300EW	Gasket, 5R110W Bottom Pan (Bonded Rubber) 2003-Up	1	F6TZ-7A191-A
136305A	Gasket, 5R110W Extention Housing To Case (Paper/Metal) 2003-Up	1	3C3Z-7086-AA
36309E	Gasket, 5R110W Pump Bolt Washer 2003-Up	9	E9TZ-7G379-AA
136310A	Gasket, 5R110W Pump To Case 2003-Up	1	3C3Z-7A136-AA
36311E	O-Ring, 5R110W Pump 2003-Up	1	E9TZ-7A248-A
36319E	Gasket, 5R110W PTO Cover 2003-Up	1	
136320A	Gasket, 5R110W Valve Body Plate To Case (Upper) 2003-06 (When Out Use 136320AA)	1	
136320AA	Gasket, 5R110W Valve Body Plate To Case (Upper) 2007-Up (Updated, Retro Fits 2003-Up)	1	
136321A	Gasket/Screen, 5R110W Solenoid Body To Separator Plate (With Bonded Rubber)	1	
136347A	O-Ring, 5R110W Case Connector 2003-Up	1	3C3Z-7Z276-AA
136370A	O-Ring, 5R110W Input Sensor (1.00"OD) 2003-Up	1	3C3Z-7Z101-AA
136370B	O-Ring, 5R110W Output Speed Sensor (5/8"OD) 2003-Up	1	
PART #	TECHNICAL MANUALS	QTY	REFERENCE#
136400A	Technical Manual, 5R110W (Torqshift)	1	
PART #	ELECTRICAL COMPONENTS	QTY	REFERENCE #
136410A	Sensor, 5R110W (Trans Range Position) 2003-Up	1	
136411A	Switch, 5R110W Fluid Pressure 2003-Up (Takes 5 Per Transmission)	5	
136421A	Use 136425A	1	
136422A	Solenoid, 5R110W Direct Clutch 2003-Up (Also Fits Coast Clutch)	1-2	3C3Z-7J136-AA
136425A	Solenoid, 5R110W TCC 2003-Up (Also Fits Intermediate, Overdrive & Low/Reverse Clutch Solenoid)	1-4	3C3Z-7J136-BA
136427A	Use 136425A	1	
136430A	Use 136425A	1	
136431A	Solenoid, 5R110W EPC (Line Pressure) 2003-Up	1	4C3Z-7G383-AA
136433A	Use 136422A	1	
136436A	Sensor, 5R110W Output Shaft Speed 2003-Up	1	3C3Z-7H103-AA
136437A	Sensor, 5R110W Oil Temperature 2003-Up	1	3C3Z-7H141-AA
136438A	Sensor, 5R110W Input Shaft Speed 2003-04	1	3C3Z-7M101-AA
136438B	Sensor, 5R110W Input Shaft Speed 2004-Up (Cast # 3C3P-7M101-AB)	1	
136446A	Wire Harness, 5R110W (Internal) With Connector 2003-Up (Updated, Has 9 Connectors)		
	(Replaces The 13 Connector)	1	4C3Z-7G276-AA
F85Z-2L373AB	Speed Sensor, Rear Axle Housing (Output Speed) 1990-97 Aerostar, 1990 Bronco II, 1990-06 E-150/250/350, 1990-03 F-150, 1991-01 Expedition/Mountaineer, 1990-99 F250, 1999-04 SD F250-F450, 2000-06 Excursion, 1990-03 Ranger, 2000-01 Sporttrac, 1997-02 Expedition	1	
PART #	MISCELLANEOUS COMPONENTS	QTY	REFERENCE #
36484E	Orifice Cup Plug, 5R110W Output Shaft (Front)	1	39150-S
36484G	Lube Orifice Plug, 5R110W In Rear Of Case 2003-Up	1	F81Z-7E380-AA

PART #	HARD PARTS	QTY	REFERENCE #
136500A	Pump Complete, 5R110W (Less Valves)(Body Cast # 3C3P-7A105-AD) (Stator Cast # 3C3P-78324-AA) 2003-04	1	
136500B	Pump, 5R110W (Less Valves)(Body Cast # 5C3P-7A105-AA)(Stator Cast # 5C3P-78324-AA) 2005-Up	1	
136510A	Pump Body W/Gears, 5R110W (Cast #3C3P-7A105-AD) 2003-04	1	
136510B	Pump Body W/Gears, 5R110W (Cast # 5C3P-7A105-AA) 2005-Up	1	
136520A	Stator, 5R110W (Less Valve) (Cast # RF3C3P-78324-AA) 2003-04	1	
136520B	Stator, 5R110W (Less Valve) (Cast # RF5C3P-78324-AA) 2005-Up	1	

PART #	PUMP COMPONENTS	QTY	REFERENCE #
S136507CAK	Sleeve & Plunger, 5R110W TCC Control Valve 2003-Up (Sonnax)	1	
S136507PAK	Pressure Regulator Valve Kit, 5R110W Oversize (Contains: Oversize Pressure Regulator Valve, Spring, & Spring Sleeve)(Sonnax) (Must Use T-F-36740-TL3)	1	
T-F-36940-TL3	Reamer Set, For S136507PAK (Reamer, Guide Pin & Reamer Jig) (Sonnax)	1	
136530A	Pump Gear Set, 5R110W (9 Inner Teeth) (.729" Thick) 2003-Up	1	
136544A	Pump Plate, 5R110W (Fits Body W/Cast # 3C3P-7A105-AD) 2003-Up	1	
136544B	Pump Plate, 5R110W (Fits Body W/Cast # 5C3P-7A105-AA) 2003-Up	1	

PART #	HARD PARTS (Continued)	QTY	REFERENCE #
136554A	Drum, 5R110W Forward Clutch (4 Clutch) (Uses 28 Teeth Steels) 2003-04	1	3C3Z-7A360-SA
136554C	Drum, 5R110W Forward Clutch (4 Clutch) (Uses 28 Teeth Steels) 2005-06	1	
136555A	Drum, 5R110W Direct Clutch (3 Clutch) (3.700" Tall) 2003-04 (Uses 28 Teeth Steels) (With 24 Teeth Intermediate Clutch Hub)	1	3C3Z-7F283-AA
136555AA	Drum, 5R110W Direct Clutch (3 Clutch) (3.700" Tall) 2005-Up (Uses 28 Teeth Steels) (With 88 Teeth Intermediate Clutch Hub)	1	5C3Z-7F283-AA
136559A	Drum, 5R110W Coast Clutch (Stamped Steel)(3 Clutch)(Uses 136640A That Is .625" Thick) 2003-04	1	3C3Z-7G387-AA
136559AA	Drum, 5R110W Coast Clutch (Stamped Steel)(3 Clutch)(Uses 136640B That Is .663" Thick) 2005-Up	1	
136560A	Piston Kit, 5R110W Overdrive Brake Clutch (Bonded) 2003-Up	1	
136562A	Piston Kit, 5R110W Intermediate Clutch (Bonded) 2003-Up	1	
136564A	Piston Kit, 5R110W Forward Clutch (Bonded) 2003-04	1	
136565A	Piston Kit, 5R110W Direct Clutch (Bonded) 2003-Up	1	
136567A	Piston Kit, 5R110W Low/Reverse Clutch (Bonded) 2003-04	1	
136569A	Piston Kit, 5R110W Coast Clutch (Bonded) 2003-Up	1	
136570A	Hub/Reluctor, 5R110W Coast Clutch (2.500" Thick) (6.025"OD) 30 Slots (Bolts To Overdrive Planet) 2003-12/06	1	3C3Z-7H501-BA
136580A	Planet, 5R110W Overdrive (4 Gear) (Uses A Bolt On Coast Clutch Hub And Reluctor) 2003-04	1	3C3Z-7B446-AA
136582A	Planet, 5R110W Forward (6 Gear) Steel (2.035"OD Hub) 2003-04 (4.230"OD Of Housing, Uses A 42 Teeth Sun Gear) (Small Planet)	1	3C3Z-7A398-AA
136582C	Planet, 5R110W Forward (6 Gear) Steel (1.905"OD Hub) 2005 (4.557"OD Of Housing, Uses A 55 Teeth Sun Gear) (Large Planet)	1	5C3Z-7A398-BA
136584A	Planet, 5R110W Rear (4 Gear) 72 Teeth Hub (1st Design) 3.110" Overall Height 2003-Up	1	3C3Z-7D006-AA
136584B	Planet, 5R110W Rear (4 Gear) 72 Teeth Hub (2nd Design) 2.985" Overall Height 2003-Up	1	5C3Z-7D006-AA
136590A	Ring Gear, 5R110W Overdrive Planet (94 Teeth) (30 Lugs) 2003-Up	1	3C3Z-7A153-CA
36592B	Ring Gear, 5R110W Forward Planet (Small Planet) 2003-04	1	F81Z-7D392-AB
136592C	Ring Gear, 5R110W Forward Planet (5.300"OD) 2005-Up (For Large Planet)	1	5C3Z-7D392-AA
136594A	Ring Gear, 5R110W Rear Planet (98 Teeth) (1.683" Thick) 2003-04	1	3C3Z-7A153-AA
136602A	Hub, 5R110W Forward Ring Gear (Bushing Type) 2003-04 (2.038"ID Of Bushing) (For Small Planet)	1	3C3Z-7B067-BA
136602C	Hub, 5R110W Forward Ring Gear (Bushing Type) 2005-06 (1.908"ID Of Bushing) (For Large Planet)	1	5C3Z-7B067-AA
136604A	Hub, 5R110W Rear Ring Gear (1st Design) (W/10 Holes) 2003-Up	1	3C3Z-7D164-AA
136604B	Hub, 5R110W Rear Ring Gear (2nd Design) (No Holes) 2003-Up	1	
136610A	Sun Gear, 5R110W Overdrive (No Bushing) 2003-04	1	3C3Z-7D063-AA
136622A	Shell W/Sun Gear, 5R110W (42 Teeth / 34 Teeth Sun Gear) 2003-05	1	3C3Z-7A019-BA
136622C	Shell W/Sun Gear, 5R110W (55 Teeth / 34 Teeth Sun Gear) 2005-Up	1	5C3Z-7A019-AA
136630A	Center Support, 5R110W (Aluminum) 1 Piece (5.440" Tall) 2003-Up	1	3C3Z-7A130-AA
136640A	Diode, 5R110W Overdrive (.625" Thick) (This Is Also The Pressure Plate) 2003-Up	1	5C3Z-7A089-BA
136640B	Diode, 5R110W Overdrive (.663" Thick) (This Is Also The Pressure Plate) 2003-Up	1	7C3Z-7A089-B
136644A	Diode, 5R110W Low (1st Design) .865" Thick (Is Also The Low/Reverse Clutch Pressure Plate) 2003-Up (Use The U136644B Per Ford)	1-2	
136644B	Diode, 5R110W Low (2nd Design) .865" Thick (Is Also Low/Reverse Clutch Pressure Plate) Has A Stamped Dot On 1 Tooth Of Inner Race	1-2	3C3Z-7A089-AB
136644C	Diode, 5R110W Low (3rd Design)(Is Also Low/Reverse Pressure Plate) 2005-08	1-2	
36670C	Input Shaft, 5R110W (13 5/8" Long) 2003-Up	1	F81Z-7017-EA

FORD

5R110W (TorqShift)

RWD 5 & 6 Speed

PART #	HARD PARTS (Continued)	QTY	REFERENCE #
136675A	Shaft, 5R110W Overdrive (3.668" Long) 2003-04	1	3C3Z-7A658-AA
136678A	Output Shaft, 5R110W (4x4) (15 1/2" Long)	1	3C3Z-7060-DD
136678B	Output Shaft, 5R110W 2WD (20" Long)	1	
136690A	Park Gear, 5R110W (14 Lugs W/18 Teeth Reluctor) 2003-Up	1	3C3Z-7A233-AA
136698A	Orificed Plug, 5R110W Forward Clutch (In Case Over 1 Center Support Bolt) 2003-04	1	3C3Z-7D376-AA
136699A	Oil Slinger, 5R110W Forward Planet (Rear) (6 Tabs) 2003-04 (Plastic) (3.980"OD)	1	3C3Z-7L339-AA
136699C	Oil Slinger, 5R110W Forward Planet (Rear) (4 Tabs) 2005 (Plastic) (4.370"OD)	1	
136699CA	Oil Slinger, 5R110W Forward Planet (Rear) (6 Tabs) 2005 (Plastic) (4.370"OD)	1	
136740A	Solenoid Body Assembly, 5R110W (7 Solenoid) With Pressure Switches 2003	1	
136740B	Solenoid Body Assembly, 5R110W (7 Solenoid) No Pressure Switches	1	

PART #	VALVE BODY COMPONENTS	QTY	REFERENCE #
S136741-6K	End Plug Kit, 5R110W Solenoid Body (O-Ringed)(Contains: 1 End Plug & 1 O-Ring)(Sonnax) 2003-Up (Takes 5 Kits Per Transmission)	1	
136741A-1	Manual Valve, 5R110W (1st Design) 2003-11/14/03	1	
136741A-6K	End Plug Kit, 5R110W Solenoid Body (Contains: 5 End Plugs & 5 O-Rings)(Transgo) 2003-Up	1	
S136741M-1	Manual Valve, 5R110W (Oversize) (Sonnax) (Must Use Tool #T-F-36940-TL11 & T-VB-Fix)	1	
T-F-36940-TL11	Reamer Kit, For S136741M-1	1	

PART #	HARD PARTS (Continued)	QTY	REFERENCE #
136746A	Plate, 5R110W Holds Solenoid Plate To Case (10 Bolt) 2003-Up	1	3C3Z-7H038-AA
136760A	Case, 5R110W (Gas & Diesel) (Without PTO) 2003-Up	1	3C3Z-7005-AB
136760AA	Case, 5R110W (Gas & Diesel) (With PTO) 2003-Up	1	
136761A-4	Retainer, 5R110W Sealing Ring #184 (Steel Sleeve In Rear Case)(.657" Wide)(1.969"OD) 2003-Up	1	
36761EP-4	Roll Pin, 5R110W Holds Shift Lever In Case (.113"OD) (1.006" Long)	1	
136761P-4	Roll Pin, 5R110W Holds Rooster Comb To Shift Lever 2003-Up (.159"OD) (1.325" Long)	1	
136765A	Pan, 5R110W Bottom (4x4) (20 Bolt) 2003-Up	1	3C3Z-7A194-AA
136770A	Extension Housing, 5R110W (4x4) (Aluminum) (Cast # RF3C3P)	1	
136770B	Extension Housng, 5R110W 2WD (9 1/4" Long) (Cast # 3C3P-7A040-EC) 2003-Up	1	
136777K	Bolt Set, 5R110W Pump To Case (9 Bolts) 2003-Up	1	
136778K	Bolt Set, 5R110W Pump Stator To Body (6 Bolts) Can Use 36778AK	1	
S36779A	Pan Bolts, 5R110W (Metric) (Sonnax)	AR	
36779AK	Bolt Set, 5R110W Pan To Case (20 Pieces)	1	
136781K	Bolt Set, 5R110W Extension Housing To Case (4x4) (9 Bolts) 2003-Up	1	
136782AK	Bolt Set, 5R110W Solenoid Body To Case (23 Bolts) 2003-Up	1	
136782BK	Bolt Set, 5R110W Solenoid Body Plate To Solenoid Body	1	
36783	Bolt, 5R110W Center Support To Case (Takes 2)	2	
136784K	Bolt Set, 5R110W Holds Hub To Overdrive Planet (4 Bolts) 2003-Up	1	
136798A	Nut, 5R110W Output Shaft (Holds Shaft To Extension Housing) (4x4) (Cast # 3C3P-4791-BA) 2003-Up	1	
136853A	Cushion, 5R110W Forward Clutch (.048") 8 Teeth (5.120"ID) 2003-04	1	3C3Z-7B070-BA
36860	Snap Ring, 5R110W Holds Overdrive Pressure Plate In Case (.050") 2003-Up	1	
36860A	Snap Ring, 5R110W Holds Overdrive Pressure Plate In Case (.079") 2003-Up	1	
36860B	Snap Ring, 5R110W Holds Overdrive Pressure Plate In Case (.099") 2003-Up	1	
36860C	Snap Ring, 5R110W Holds Overdrive Pressure Plate In Case (.119") 2003-Up	1	
36860D	Snap Ring, 5R110W Holds Overdrive Pressure Plate In Case (.139") 2003-Up	1	
136860A	Snap Ring, 5R110W Holds Center Support To Case 2003-Up (.109" Thick) (9 1/2"OD) Beveled	1	3C3Z-7D483-EA
136868A	Snap Ring, 5R110W Holds Overdrive Ring Gear To Center Shaft (.060" Thick) 2003-Up	1	3C3Z-7G375-CA
36871A	Snap Ring, 5R110W Holds Coast Clutch Beveled Spring In (3 1/4"OD) (.060" Thick) 2003-Up	1	F81Z-7A527-AA
136874A	Snap Ring, 5R110W holds Intermediate Clutch Retainer In 2003-Up	1	3C3Z-7D483-EA
136877A	Snap Ring, 5R110W Forward Clutch Retainer (.056" Thick) 2003-Up	1	
36878	Snap Ring, 5R110W Coast, Forward & Direct Clutch Pressure Plate (.058") 2003-Up	3	E9TZ-7D483-A
36878A	Snap Ring, 5R110W Coast, Forward & Direct Clutch Pressure Plate (.067") 2003-Up	3	E9TZ-7D483-B
36878B	Snap Ring, 5R110W Coast, Forward & Direct Clutch Pressure Plate (.076") 2003-Up	3	E9TZ-7D483-C
36878C	Snap Ring, 5R110W Coast, Forward & Direct Clutch Pressure Plate (.085") 2003-Up	3	
36878D	Snap Ring, 5R110W Coast, Forward & Direct Clutch Pressure Plate (.094") 2003-Up	3	
36878F	Snap Ring, 5R110W Coast, Forward & Direct Clutch Pressure Plate (.112") 2003-Up	3	
36879	Snap Ring, 5R110W Holds Retainer In Direct Drum 2003-Up	1	E9TZ-7C122-A
36881	Snap Ring, 5R110W Holds Forward Clutch Hub In Forward Ring Gear 2003-04 (For Small Planet)	1	377132-S
136881C	Snap Ring, 5R110W Holds Forward Clutch Hub In Forward Ring Gear (.060" Thick) (5.185"OD) (For Large Planet) 2005-Up	1	
136889A	Snap Ring, 5R110W Holds Hub To Rear Ring Gear 2003-Up (.060") (6 1/4"OD)	1	3C3Z-7G375-AA

36892.....	Snap Ring, 5R110W Holds Low Diode In Case (.075" Thick) 2003-04.....	1	E9TZ-7D483-J
136892A	Snap Ring, 5R110W Holds Low Diode In Case (.097")(Flat)(Diesel) 2005-Up (Retro Fits 03-04)..	1	
S136892A-1....	Snap Ring, 5R110W Holds Low Diode In Case (.090" Thick) 2003-Up	1	
136892AA.....	Snap Ring, 5R110W Holds Low Diode In Case (.080")(Waved)(Gas) 2005-Up (Retro Fits 03-04) 1	1	
136893A	Snap Ring, 5R110W Holds Low/Reverse Retainer In 2003-Up	1	3C3Z-7D483-CA
136897A	Snap Ring, 5R110W Holds Ball Bearing In Extension Housing (4x4) 2003-Up.....	1	
136960A	Piston, 5R110W Overdrive Brake Clutch (Bonded)(8 3/16"OD) 2003-Up.....	1	3C3Z-7A262-AA
136960AK.....	Piston Kit, 5R110W (Bonded) 2003-Up (8 Pistons)	1	
136962A	Piston, 5R110W Intermediate Clutch (Bonded) (7 1/2"OD)(.645"Thick) 2003-Up	1	3C3Z-7E005-AA
136964A	Piston, 5R110W Forward Clutch (Bonded) (6 5/16"OD) 2003-Up		
	(Cast # 3C3P-7A262-AH) (1.125" Thick).....	1	3C3Z-7A262-AA
136964B	Piston/Retainer, 5R110W Forward Clutch (Bonded) 2003-Up (5 13/16"OD)		
	(2.870"ID) (.420" Thick).....	1	3C3Z-7H360-AA
136965A	Piston, 5R110W Direct Clutch (6 5/16"OD) Bonded (1.005" Thick) 2003-Up		
	Cast # 3C3P-7F254-AC)	1	3C3Z-7A262-BA
136965B	Piston/Retainer, 5R110W Direct Clutch (3.355"ID) Bonded (1.335" Thick) 2003-Up.....	1	3C3Z-7H359-AA
136967A	Piston, 5R110W Low/Reverse Clutch (Bonded) (2.645" Thick) 2003-Up		
	Cast # 3C3P-7D402-AC.....	1	3C3Z-7D402-AA
136969A	Piston, 5R110W Coast Clutch (Bonded)(.751"Thick) 2003-Up.....	1	3C3Z-7A262-CA
136970A	Retainer W/Springs, 5R110W Overdrive Brake Clutch Piston 2003-Up	1	3C3Z-7A222-BB
136972A	Spring & Retainer, 5R110W Intermediate Clutch (24 Springs) 2003-Up.....	1	3C3Z-7F222-BA
136974A	Spring, 5R110W Forward Clutch Return (Beveled) 2003-04 (5.775"OD)		
	(3.670"ID) (.086" Thick).....	1	3C3Z-7B070-AA
136975A	Spring, 5R110W Direct Clutch (Beveled) .085" (5.775"OD) (4.324"ID) 2003-Up.....	1	
136977A	Spring/Retainer, 5R110W Low/Reverse Clutch (26 Springs) 2003-04.....	1	3C3Z-7D406-AA
136979A	Retainer W/Springs, 5R110W Coast Clutch Piston 2003-Up.....	1	3C3Z-7G299-AA
136991A	Linkage Assembly, 5R110W Internal 2003-Up.....	1	
136992A	Shift Lever, 5R110W External (1 Piece Type) 2003-Up	1	3C3Z-7A256-BA
36994E	Park Rod Actuator, 5R110W (10 3/8" Long) 2003-Up	1	
36995E	Park Pawl Assembly, 5R110W 2003-Up	1	
136996A	Fitting, 5R110W Case (For Cooler Lines) (Front & Rear) 2003-Up (Takes 2).....	2	3C3Z-7D273-AA

FORD