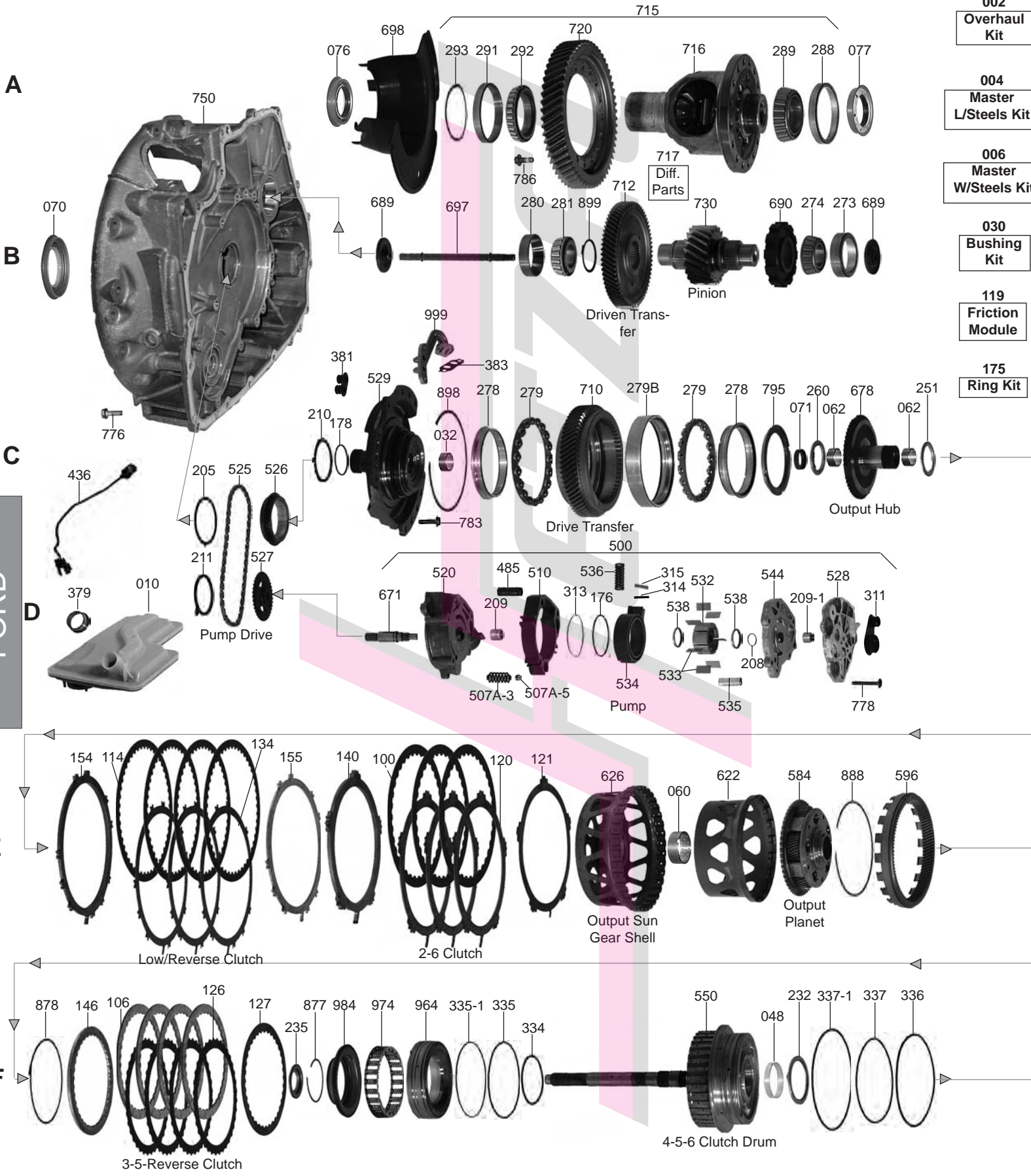


6F50 / 6F55 / 6T70 / 6T75

FWD 6 Speed

FORD



002
Overhaul
Kit

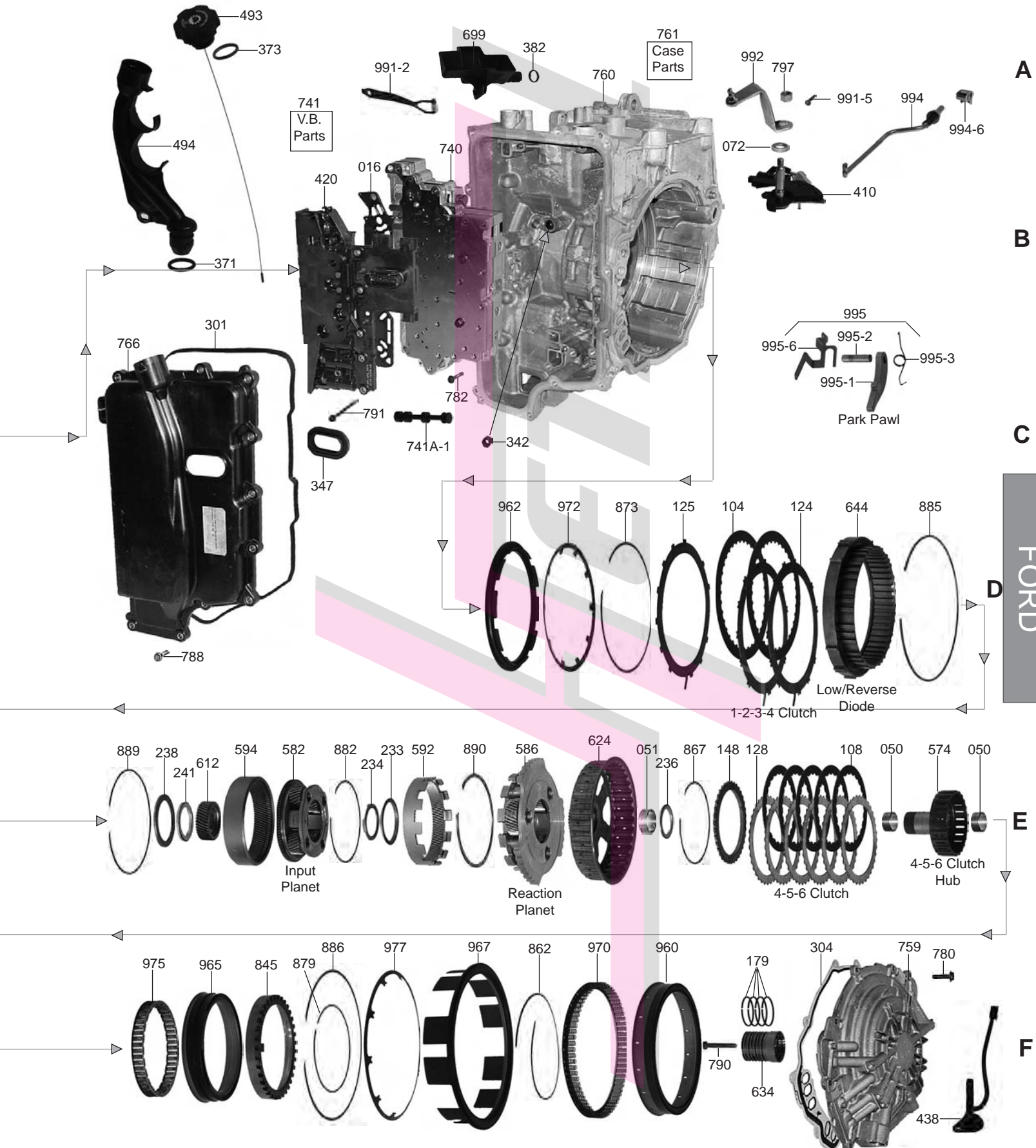
004
Master
L/Steels Kit

006
Master
W/Steels Kit

030
Bushing
Kit

119
Friction
Module

175
Ring Kit



6F50 / 6F55 / 6T70 / 6T75

FWD 6 Speed

Part #	OVERHAUL KITS	Qty	Reference #
25002A	Overhaul Kit, 6F50/6F55/6T70/6T75 6 Speed FWD 2007-Up	1	
Part #	MASTER L/STEELS KITS	Qty	Reference #
25004A	Master L/Steels Kit, 6F50/6F55 6 Speed FWD 2007-Up	1	
Part #	MASTER W/STEELS KITS	Qty	Reference #
25006A	Master W/Steels Kit, 6F50/6F55 6 Speed FWD 2007-Up	1	
Part #	FILTERS	Qty	Reference #
25010A	Filter, 6F50/6F55/6T70/6T75 (5/8" Tall Oval Pick-Up) 2007-Up	1	
25016A	Filter Plate, 6F50/6F55 Solenoid Assembly To Valve Body (Plastic Beaded) 2007-Up	1	
Part #	BUSHINGS	Qty	Reference #
25030A	Bushing Kit, 6F50/6F55 2007-Up	1	
25032A	Bushing, 6F50/6F55 Converter Reactor (Rear)(.870"ID)(1.000"OD)(.745" Long) 2007-Up	1	
25048A	Bushing, 6F50/6F55 4-5-6 Clutch Drum (Rear)(.450"Wide)(1.970"OD)(1.830"ID) 2007-Up	1	
25050A	Bushing, 6F50/6F55 4-5-6 Clutch Hub (.400"Wide)(1.125"OD)(1.005"ID) 2007-Up	2	
25051A	Bushing, 6F50/6F55 Reaction Sun Gear & Shell (.670"Wide)(1.510"OD)(1.380"ID) 2007-Up	1	
25060A	Bushing, 6F50/6F55 Output Sun Gear & Shell (.745"Wide)(1.545"OD)(1.425"ID) 2007-Up	1	
25062A	Bushing, 6F50/6F55 Output Hub (.320"Wide)(.985"OD)(.870"ID) 2007-Up	2	
Part #	METAL CLAD SEALS	Qty	Reference #
25070A	Seal, 6F50/6F55 Front (Converter) (2.845"OD) 2007-Up	1	
25071A	Seal, 6F50/6F55 Converter Reactor (Rear)(Inner)(.302"Thick)(1.185"OD) 2007-Up	1	
25072A	Seal, 6F50/6F55 Shift Lever (.350"Thick)(.755"OD)(.467"ID)(Rubber) 2007-Up	1	
25077A	Seal, 6F50/6F55 Axle (Case Side) (.540"Thick)(2.945"OD) 2007-Up	1	
Part #	FRICTION CLUTCH	Qty	Reference #
25100A	Friction, 6F50/6F55 2-6 Clutch (.064") (36 Teeth)(8 1/4"OD) 2007-Up	3	
25104A	Friction, 6F50/6F55 1-2-3-4 Clutch (.065") (36 Teeth)(8 1/4"OD) 2007-Up	2	
25106A	Friction, 6F50/6F55 3-5-Reverse Clutch (.063") (36 Outer Teeth) (5.630"ID) 2007-Up	4	
25108A	Friction, 6F50/6F55 4-5-6 Clutch (.063") (24 Teeth)(4.760"OD) 2007-Up	6	
25114A	Friction, 6F50/6F55 Low/Reverse Clutch (.065") (48 Teeth)(8 5/8"OD) 2007-Up	4	
25119A	Friction Module, 6F50/6F55 2007-Up	1	
Part #	STEEL CLUTCH	Qty	Reference #
25120A	Steel, 6F50/6F55 2-6 Clutch (.115") (6 Teeth)(7 3/16"ID) 2007-Up	3	
25121A	Steel, 6F50/6F55 2-6 Clutch (.045") (6 Teeth)(Waved)(7 1/4"ID) 2007-Up	1	
25124A	Steel, 6F50/6F55 1-2-3-4 Clutch (.085") (13 Teeth)(6 15/16"ID) 2007-Up	2	
25125A	Steel, 6F50/6F55 1-2-3-4 Clutch (Waved)(.065") (13 Teeth)(6 15/16"ID) 2007-Up	1	
25126A	Steel, 6F50/6F55 3-5-Reverse Clutch (.115") (36 Inner Teeth)(6 9/16"OD) 2007-Up	4	
25127A	Steel, 6F50/6F55 3-5-Reverse Clutch (.030") (36 Inner Teeth)(Waved)(6 9/16"OD) 2007-Up	1	
25128A	Steel, 6F50/6F55 4-5-6 Clutch (.115") (36 Teeth)(3.925"ID) 2007-Up	6	
25134A	Steel, 6F50/6F55 Low/Reverse Clutch (.070") (11 Teeth)(7 3/4"ID) 2007-Up	3	
Part #	CLUTCH PRESSURE PLATES	Qty	Reference #
25140A	Pressure Plate, 6F50/6F55 2-6 Clutch (.260") (6 Teeth)(7 3/16"ID) 2007-Up	1	
25146A	Pressure Plate, 6F50/6F55 3-5-Reverse Clutch (.125") (36 Internal Teeth)(Stepped)(6 9/16"OD) 2007-Up	1	
25148A	Pressure Plate, 6F50/6F55 4-5-6 Clutch (.155") (36 Teeth)(Stepped)(3.925"ID) 2007-Up	1	
25154A	Pressure Plate, 6F50/6F55 Low/Reverse Clutch (.196") (11 Teeth)(Stepped)(7 3/4"ID) (Cast # 7T4P-7D408-AC) 2007-Up	1	
25155A	Apply Plate, 6F50/6F55 Low/Reverse Clutch (.153") (11 Teeth)(7 3/4"ID) (Cast # 7T4P-7G486-AA) 2007-Up	1	
Part #	OIL SEALING RINGS	Qty	Reference #
25175A	Ring Kit, 6F50/6F55 2007-Up	1	
25176A	Ring, 6F50/6F55 Pump Slide (.076" Thick)(2.543"OD) 2007-Up	1	
25178A	Ring, 6F50/6F55 Converter Reactor Shaft (.078" Thick)(Solid, Teflon) 2007-Up	1	

25179A Ring, 6F50/6F55 3-5-Reverse & 4-5-6 Clutch (.093"Thick)(1.835"OD)(Solid, Teflon) 2007-Up..... 4

Part #	WASHERS & BEARINGS	Qty	Reference #
25205A	Washer, 6F50/6F55 Bell Housing To Pump Drive Sprocket (1 Outer Tab)(.063"Thick)(2.485"OD) (2.135"ID)(Black Plastic) 2007-Up	1	
25208A	Shim, 6F50/6F55 Pump Shaft To Pump Plate (.037"Thick)(.733"OD)(.586"ID) 2007-Up	1	
25209A	Caged Needle Brg, 6F50/6F55 Pump Shaft To Cover (W/Seal)(.820"OD)(.583"ID) (Cast # F-554549 USA INA) 2007-Up	1	
25209B	Caged Needle Brg, 6F50/6F55 Pump Shaft To Plate (.425"Thick)(.605"OD)(.308"ID) 2007-Up	1	
25210A	Washer, 6F50/6F55 Bell Housing To Converter Reactor Shaft (4 Tabs, 3 Slots)(.097"Thick) (2.130"ID)(Plastic) 2007-Up	1	
25211A	Washer, 6F50/6F55 Bell Housing To Driven Pump Sprocket (1 Outer Tab)(.117"Thick)(2.240"OD) (1.890"ID)(Black Plastic) 2007-Up	1	
25232A	Brg W/Races, 6F50/6F55 4-5-6 Clutch Drum To Rear Cover (.126" Thick)(2.863"OD)(2.215"ID) 2007-Up	1	
25233A	Brg W/Races, 6F50/6F55 Input Planet To Reaction Planet (.112" Thick)(2.900"OD)(2.380"ID) 2007-Up	1	
25234A	Brg W/Races, 6F50/6F55 Input Sun Gear To Reaction Planet (.175" Thick)(2.310"OD)(1.638"ID) 2007-Up	1	
25235A	Brg W/Races, 6F50/6F55 4-5-6 Clutch Hub To Drum (.131" Thick)(2.030"OD)(1.098"ID) 2007-Up	1	
25236A	Use U25260A	1	
25238A	Brg W/Races, 6F50/6F55 Output Planet To Input Planet (.180" Thick)(3.340"OD)(2.530"ID) 2007-Up	1	
25241A	Brg W/Races, 6F50/6F55 Output Planet To Input Sun Gear (.115" Thick)(2.195"OD)(1.660"ID) 2007-Up	1	
25251A	Use U25260A	1	
25260A	Brg W/Races, 6F50/6F55 Converter Reactor To Output Hub (.125" Thick)(2.035"OD)(1.468"ID) 2007-Up (Also Fits 6F50/6F55 Output Hub To Output Sun Gear Shell)(Also Fits 6F50/6F55 Reaction Sun Gear Shell To 4-5-6 Clutch Hub #236)	1-3	
25273A	Use U25280A	1	
25274A	Use U25281A	1	
25278A	Inner Race, 6F50/6F55 Drive Transfer Gear To Converter Reactor (.590" Thick)(4.295"OD) (3.740"ID) 2007-Up	2	
25279A	Ball Brg, 6F50/6F55 Drive Transfer Gear To Converter Reactor (19 Balls W/Plastic Cage) (4.905"ID) 2007-Up	2	
25279B	Outer Race, 6F50/6F55 Goes In Transfer Drive Gear (DoubleSided)(.925" Thick)(5.315"OD) 2007-Up	1	
25280A	Cup Race, 6F50/6F55 Pinion To Bell Housing (HTF 322/329)(.707" Thick)(2.559"OD) 2007-Up (Also Fits 6F50/6F55 Pinion To Case # 273)	1-2	
25281A	Cone Bearing, 6F50/6F55 Pinion To Bell Housing (17 Rollers)(Cast #HTF 322/329)(.891" Thick) (1.262"ID) 2007-Up (Also Fits 6F50/6F55 Pinion To Case # 274)	1-2	
25288A	Cup Race, 6F50/6F55 Differential To Case (NP 417060)(.724" Thick)(.545"OD) 2007-Up	1	
25289A	Cone Brg, 6F50/6F55 Differential To Case (22 Rollers)(NP 327312)(.913" Thick)(2.162"ID) 2007-Up	1	
25291A	Cup Race, 6F50/6F55 Differential Bearing To Bell Housing (NP26679 P900 555R)(.490" Thick) (3.545"OD) 2007-Up	1	
25292A	Cone Brg, 6F50/6F55 Differential To Bell Housing (28 Rollers)(NP 266799)(.672" Thick) (2.350"ID) 2007-Up	1	
25293A	Shim, 6F50/6F55 Differential Cup Race To Bell Housing (.028" Thick)(3.530"OD)(3.075"ID) 2007-Up	1	

Part #	GASKETS & RUBBER COMPONENTS	Qty	Reference #
25301A	Gasket, 6F50/6F55 Side Pan (Molded Rubber) 2007-Up	1	
25304A	Gasket, 6F50/6F55 Rear Cover (Metal, Beaded) 2007-Up	1	
25311A	Seal, 6F50/6F55 Pump Assembly To Case (Twin Boots On Oval Base)(.460" Tall)(2.420" Long) (1.285" Wide) 2007-Up	1	
25313A	O-Ring, 6F50/6F55 Pump Slide (Under Ring # 176) 2007-Up	1	
25314A	Seal, 6F50/6F55 Pump Slide (Rubber)(.102"OD)(.863"Long) 2007-Up	1	
25315A	Seal, 6F50/6F55 Pump Slide (Teflon)(.093" Thick)(.863"Long) 2007-Up	1	
25342A	Boot, 6F50/6F55 Valve Body To Case (Round Fluted)(.495" Tall)(.510"OD)(.325"ID) 2007-Up	1	
25347A	Boot, 6F50/6F55 Solenoid Assembly To Side Pan (Orange) 2007-Up	1	
25371A	O-Ring, 6F50/6F55 Filler Tube (.205" Thick)(1.545"OD) 2007-Up	1	
25373A	O-Ring, 6F50/6F55 Dipstick (.190" Thick)(1.500"OD) 2007-Up	1	
25379A	Seal, 6F50/6F55 Filter To Pump (1.270"OD)(.974"ID) 2007-Up	1	
25381A	Seal, 6F50/6F55 Converter Reactor To Case (Twin Boots On Oval Base)(.460" Tall) (1.350" Long)(.750" Wide) 2007-Up	1	
25383A	Gasket, 6F50/6F55 Converter Reactor To Tube Set (Metal)(4 Holes) 2007-Up	1	



6F50 / 6F55 / 6T70 / 6T75

FWD 6 Speed

Part #	ELECTRICAL COMPONENTS	Qty	Reference #
25410A	Switch, 6F50/6F55 PRNDL (6 Wire Connector)(4" Wire Harness)(2 1/2" Shaft W/Rooster Comb)(Cast # 7T4P-7H557-AG) 2007-Up	1	
25420A	Solenoid Assembly, 6F50/6F55 (18 Pin Connector)(Cast # 7T4P-7Z369-AE) 2007-Up	1	
25436A	Sensor, 6F50/6F55 Output Speed (3 Prong Connector & Wire Harness 12 1/2" Long) 07-Up	1	
25438A	Sensor, 6F50/6F55 Input Speed (3 Prong Connector & Wire Harness Is 11 3/4" Long) 07-Up	1	
Part #	MISCELLANEOUS PARTS	Qty	Reference #
25493A	Dipstick, 6F50/6F55 (24 3/4" Long Round Cable Type) 2007-Up	1	
25494A	Filler Tube, 6F50/6F55 (Plastic)(11" Tall) 2007-Up	1	
Part #	HARDPARTS	Qty	Reference #
25500A	Pump Assy, 6F50/6F55 (7 Vane) (Cast # 062780355)2007-Up	1	
25507A-3	Spring, 6F50/6F55 Pump Line Overpressure Blow-Off (W/Tapered Ends)(1.380" Long)(.595"OD) 2007-Up	1	
25507A-5	Ball, 6F50/6F55 Pump Overpressure Blow-Off (.312"OD) 2007-Up	1	
25525A	Chain, 6F50/6F55 Pump Drive (42 Links)(84 Pins)(.240" Thick At Pins) 2007-Up	1	
25526A	Sprocket, 6F50/6F55 Pump Drive (W/2 ID Flats For Converter Hub)(37 Teeth)(.602" Thick)(2.058"ID) 2007-Up	1	
25527A	Sprocket, 6F50/6F55 Pump Driven (W/14 ID Splines For Shaft)(37 Teeth)(.595" Thick)(2.847"OD) 2007-Up	1	
25529A	Converter Reactor, 6F50/6F55 (Bolts To Bell Housing)(This Is Also Called The Drive TransferGear Support) 2007-Up	1	
25532A	Rotor, 6F50/6F55 Pump (7 Vane)(.865" Thick)(1.800"OD)(14 Spline) 2007-Up	1	
25533A	Vane, 6F50/6F55 Pump (.078" Thick)(.865" Long)(.466" Wide) 2007-Up	7	
25534A	Slide, 6F50/6F55 Pump Outer (.868" Thick)(2.120"OD) 2007-Up	1	
25535A	Pivot Pin, 6F50/6F55 Pump Slide (.312"OD)(1.112" Long) 2007-Up	1	
25536A	Use U64536	1	
64536	Spring, 6F50/6F55 Pump Slide 2007-Up	1	
25538A	Ring, 6F50/6F55 Pump Vane (.106" Thick)(1.185"OD)(.955"ID) 2007-Up	2	
25550A	Drum W/Shaft, 6F50/6F55 4-5-6 Clutch (6 Clutch)(12 11/16" Tall) 2007-Up	1	
25574A	Hub, 6F50/6F55 4-5-6 Clutch (1.740" Tall)(1.385"OD) 2007-Up	1	
25582A	Planet, 6F50/6F55 Input (4 Gear)(Steel)(24 Teeth Pinions) 2007-Up	1	
25584A	Planet, 6F50/6F55 Output (5 Gear)(Steel)(29 Teeth Pinions)(54 Lugs) 2007-Up	1	
25586A	Planet, 6F50/6F55 Reaction (3 Gear)(Steel)(32 Teeth Pinions)(12 Lugs) 2007-Up	1	
25592A	Ring Gear, 6F50/6F55 Input Planet (99 Teeth)(12 Lugs)(1.225" Thick)(5.475"OD)(Locks OntoThe Reaction Planet) 2007-Up	1	
25594A	Ring Gear, 6F50/6F55 Output Planet (99 Teeth)(1.355" Thick)(5.470"OD)(Locks Onto The InputPlanet) 2007-Up	1	
25596A	Ring Gear, 6F50/6F55 Reaction Planet (98 Teeth)(18 Lugs)(1.090" Thick)(6 9/16"OD)(LocksOnto The Output Shell) 2007-Up	1	
25612A	Sun Gear, 6F50/6F55 Input Planet (41 Teeth)(.750" Thick)(2.320"OD) 2007-Up	1	
25622A	Shell, 6F50/6F55 Output Planet (6 3/8"OD)(12 Triangle Holes In The OD)(18 Wide Lugs InsideThe Big End) 2007-Up	1	
25624A	Sun Gear & Shell, 6F50/6F55 Reaction (34 Teeth)(2.135"OD Sun Gear)(36 Teeth Clutch Hub)(7 9/16"OD) 2007-Up	1	
25626A	Sun Gear & Shell, 6F50/6F55 Output (41 Teeth Sun Gear)(36 Teeth Clutch Hub)(6 3/4"OD)(16 Triangle Holes In OD) 2007-Up	1	
25634A	Ring Tower, 6F50/6F55 4-5-6 Clutch (Bolts To Ring Cover)(4 Ring)(3 Bolt)(2.067" Long)2007-Up	1	
25644A	Diode, 6F50/6F55 Low/Reverse (10 Lug)(W/36 Teeth Clutch Hub)(1.730" Thick) 2007-Up	1	
25671A	Shaft, 6F50/6F55 Pump (3.150" Long)(14 Splines On Each End) 2007-Up	1	
25678A	Hub, 6F50/6F55 Output (48 Teeth)(2.400" Tall)(1.425"OD Neck) 2007-Up	1	
25689A	Seal, 6F50/6F55 Pinion Shaft Lube Tube (Both Sides)(.595" Thick)(2.040"OD) 2007-Up	2	
25690A	Park Gear, 6F50/6F55 (12 Lugs)(.627" Wide At Lugs)(3.960"OD) 2007-Up	1	
25697A	Lube Tube, 6F50/6F55 Pinion Shaft (7" Long) 2007-Up	1	
25698A	Oil Baffle, 6F50/6F55 Differential (1 Bolt To Bell)(Black Plastic)(Cast # 7F4P-7F409-AB)02007-Up	1	
25699A	Oil Baffle, 6F50/6F55 Differential (2 Bolt To Case)(W/Check Ball) 2007-Up	1	
25710A	Gear, 6F50/6F55 Drive Transfer (69 Teeth)(1.490" Thick)(.988" Wide Gear)(6 9/16"OD)(5.310"ID) 2007-Up	1	
25712A	Transfer Gear, 6F50/6F55 Drive (68 Teeth)(.896" Thick)(6 1/2"OD) 2007-Up	1	
25715A	Differential Assembly, 6F50/6F55 (4X4)(59 Teeth)(1 Groove)(16 Bolt Ring Gear)(2.320"OD OfNeck On Bell Housing Side) 2007-Up	1	
25716A	Differential Housing, 6F50/6F55 4X4 (7 3/4" Tall)(16 Bolt)(2.320"OD Of Neck On Bell HousingSide) 2007-Up	1	
25720A	Ring Gear, 6F50/6F55 (59 Teeth)(1 Groove)(16 Bolt) 2007-Up	1	

25730A	Pinion Gear, 6F50/6F55 (21 Teeth)(1 Groove)(1.445" Wide At Gear)(5.700" Long) 2007-Up	1
25740A	Valve Body, 6F50/6F55 (Cast # 7T4P-7H195-AF) 2007-Up	1
25750A	Bell Housing, 6F50/6F55 AWD (Cast # RF7T4P-7976-BD)(2 3/4" Top Bolts)(2.870"OD Axle Seal Hole)(9 Holes For Transfer Case)	1
25759A	Rear Cover, 6F50/6F55 (8 Bolt)(Cast # RF8A8P-7B332-AA) 2007-Up	1
25760A	Case, 6F50/6F55 (Ford)(Cast # RF7T4P-7006-BE)(14 Pan Bolts)(18 Threaded Holes To Bell) (4 Threaded Bosses On Top) 2007-Up	1
25766A	Pan, 6F50/6F55 Side (14 Bolt) (Plastic) 2007-Up	1
25776AK	Bolt Set, 6F50/6F55 Case To Bell Housing (19 Pieces) 2007-Up	1
25777AK	Bolt Set, 6F50/6F55 Pump To Bell Housing (3 Pieces)(1.185" Long) 2007-Up	1
25778AK	Bolt Set, 6F50/6F55 Pump Assembly (2.287" Long)(5 Pieces) 2007-Up	1
25780AK	Bolt Set, 6F50/6F55 Rear Cover To Case (10 Pieces) 2007-Up	1
25782AK	Bolt Set, 6F50/6F55 Valve Body To Case (19 Pieces) 2007-Up	1
25783AK	Bolt Set, 6F50/6F55 Converter Reactor To Bell Housing (10 Pieces) 2007-Up	1
25784AK	Bolt Set, 6F50/6F55 Converter Reactor Tubes (4 Pieces) 2007-Up	1
25786AK	Bolt Set, 6F50/6F55 Differential Ring Gear (16 Pieces) 2007-Up	1
25788AK	Bolt Set, 6F50/6F55 Side Pan To Case (14 Pieces) 2007-Up	1
25790AK	Bolt Set, 6F50/6F55 Rear Support To Rear Cover (3 Pieces) 2007-Up	1
25791AK	Bolt Set, 6F50/6F55 Solenoid Assembly To Case (13 Pieces) 2007-Up	1
25795A	Nut, 6F50/6F55 Holds Drive Transfer Gear To Converter Reactor (Stepped W/4 Notches) (.275" Thick)(4.255"OD)(3.270"ID) 2007-Up	1
25797A	Nut, 6F50/6F55 External Linkage (Holds Shift Lever On) 2007-Up	1
25845A	Piston Housing, 6F50/6F55 3-5-Reverse Clutch (Steel)(36 Outer Lugs,1 Inner Lug)(.805" Thick) (6 5/16"OD) 2007-Up	1
25862A	Snap Ring, 6F50/6F55 Holds 2-6 Clutch Retainer In Rear Cover (.059" Thick)(7"OD) 2007-Up	1
25867A	Snap Ring, 6F50/6F55 Holds 4-5-6 Clutch Pressure Plate In Drum (.060" Thick)(5.210"OD) 2007-Up	1
25873A	Snap Ring, 6F50/6F55 Holds 1-2-3-4 Clutch Return Spring In Case (8 5/8"OD) 2007-Up	1
25877A	Snap Ring, 6F50/6F55 Holds 4-5-6 Clutch Retainer In Drum (.059" Thick)(2.670"OD) 2007-Up	1
25878A	Snap Ring, 6F50/6F55 Holds 3-5-Reverse Pressure Plate On 4-5-6 Clutch Drum (.060" Thick) (5 1/5"OD) 2007-Up	1
25879A	Snap Ring, 6F50/6F55 Holds 3-5-Reverse Clutch Housing To 4-5-6 Clutch Drum (.060" Thick) (5.010"OD) 2007-Up	1
25882A	Snap Ring, 6F50/6F55 Holds Output Planet Ring Gear To The Input Planet (.068" Thick) (5.240"OD) 2007-Up	1
25885A	Snap Ring, 6F50/6F55 Holds Diode In Case (.117" Thick)(9 1/4"OD) 2007-Up	1
25886A	Snap Ring, 6F50/6F55 Holds Low/Reverse Clutch Spring In Rear Cover (.059" Thick) (9 7/8"OD) 2007-Up	1
25888A	Snap Ring, 6F50/6F55 Holds Shell To Output Planet (.068" Thick)(.710"OD) 2007-Up	1
25889A	Snap Ring, 6F50/6F55 Holds Reaction Planet Ring Gear To Output Shell (.079"OD)(6 3/8"OD) 2007-Up	1
25890A	Snap Ring, 6F50/6F55 Holds Input Planet Ring Gear To Reaction Planet (.080" Thick)(5.460"OD) 2007-Up	1
25898A	Snap Ring, 6F50/6F55 Holds Outer Race # 279B In Transfer Gear (Tapered)(.083" Thick) (5.910"OD) 2007-Up	1
25899A	Snap Ring, 6F50/6F55 Holds Drive Transfer Gear On Pinion Shaft (.062" Thick)(1.848"OD) 2007-Up	1
25960A	Piston, 6F50/6F55 2-6 Clutch (Bonded)(1.250" Tall)(8 1/8"OD)(6 7/8"ID) 2007-Up	1
25962A	Piston, 6F50/6F55 1-2-3-4 Clutch (Bonded)(.640" Thick)(8"OD)(6 3/4"ID) 2007-Up	1
25964A	Piston, 6F50/6F55 4-5-6 Clutch (Aluminum)(1.125" Thick)(4.585"OD)(2.735"ID) 2007-Up	1
25965A	Piston, 6F50/6F55 3-5-Reverse Clutch (Bonded)(1.150" Thick)(6 5/16"OD)(5.130"ID) 2007-Up	1
25967A	Piston, 6F50/6F55 Low/Reverse Clutch (Bonded)(1.815" Thick)(9 3/8"OD) 2007-Up	1
25970A	Spring/Retainer, 6F50/6F55 2-6 Clutch Return (72 Springs)(7"OD) 2007-Up	1
25972A	Spring, 6F50/6F55 1-2-3-4 Clutch Return (10 Lugs)(.064" Thick)(8 1/4"OD) 2007-Up	1
25974A	Spring, 6F50/6F55 4-5-6 Clutch Return (22 Springs)(.775" Thick)(4.120"OD)(3.445"ID) 2007-Up	1
25975A	Spring/Retainer, 6F50/6F55 3-5-Reverse Clutch Return (50 Springs)(.750" Thick)(5.855"OD) 2007-Up	1
25977A	Spring, 6F50/6F55 Low/Reverse Clutch Return (.063" Thick)(9 3/8"OD) 2007-Up	1
25984A	Retainer/Piston, 6F50/6F55 4-5-6 Clutch (Bonded)(.845" Thick)(4.315"OD)(2.610"ID) 2007-Up	1
25991A-2	Detent Spring, 6F50/6F55 Valve Body (1 Bolt)(.950" Wide)(4.340" Long) 2007-Up	1
25991A-5	Nail, 6F50/6F55 Holds PRNDL Switch In Case (1 1/4"Long) 2007-Up	1
25992A-1	Shift Lever, 6F50/6F55 External (L-Shaped)(.902" Wide)(Has A .277"OD Ball) 2007-Up	1
25994A	Park Rod Actuator, 6F50/6F55 (11 1/2" Long) 2007-Up	1
25994A-6	Guide, 6F50/6F55 Park Rod Actuator (Held In Case By 2 Pins) 2007-Up	1
25995A	Park Pawl Assembly, 6F50/6F55 (3 Pieces) 2007-Up	1
25995A-6	Bracket, 6F50/6F55 Park Rod (2 Bolt To Case)(Cast #7T4P-7D419-AC) 2007-Up	1
25999A	Tube Set, 6F50/6F55 Converter Reactor (4 Bolt)(6" Long) 2007-Up	1