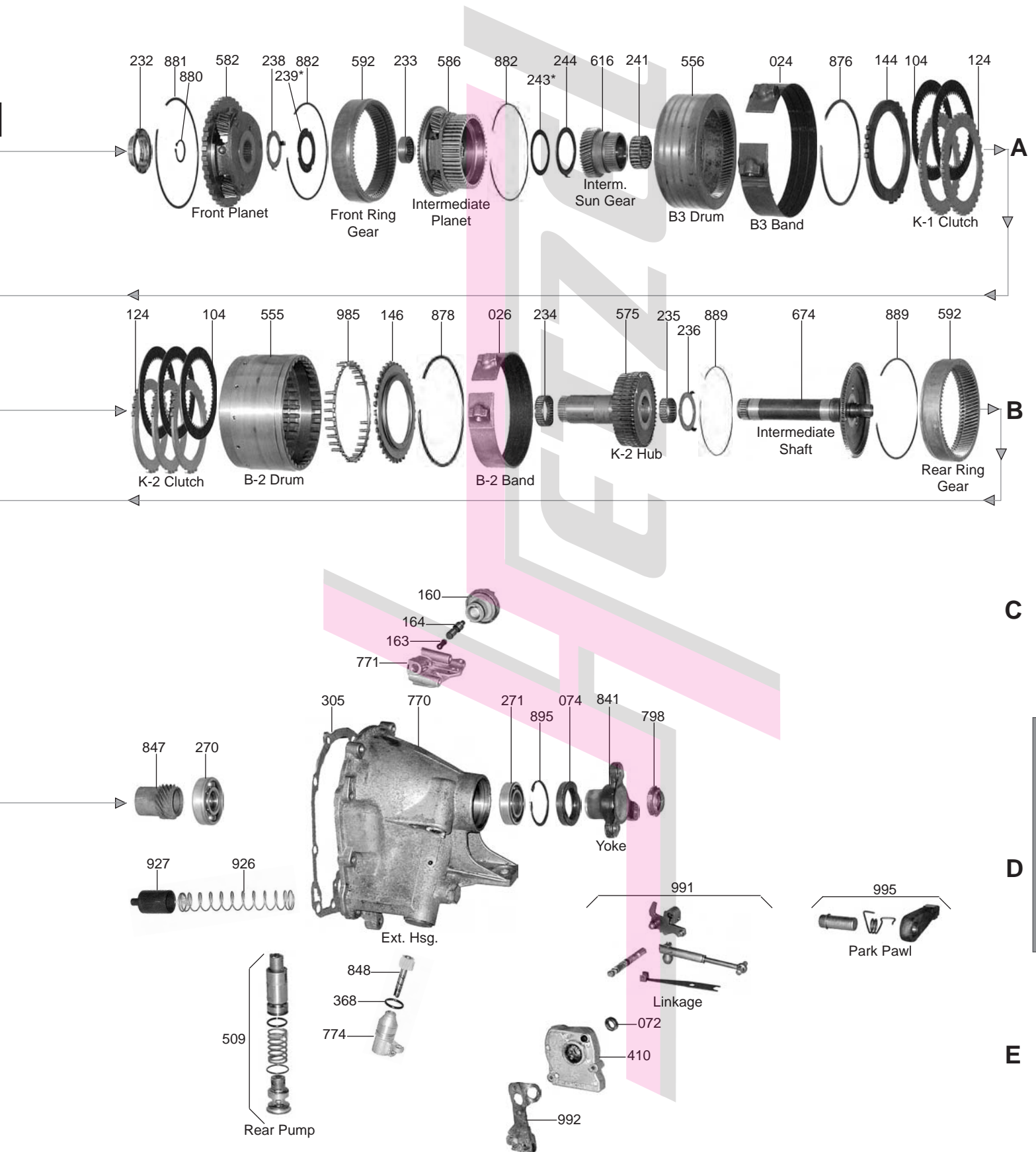


MERCEDES



MERCEDES

# 722.0 / 722.1 / 722.2

RWD 3 & 4 Speed

PART #	PAPER & RUBBER KIT	QTY.	REFERENCE #
58000	Paper & Rubber Kit, 722.0 / 722.1 / 722.2 1970-83	1	
PART #	OVERHAUL KITS	QTY.	REFERENCE #
58002	Overhaul Kit, 722.0 / 722.1 / 722.1 1970-83	1	
PART #	MASTER L/STEEL KIT	QTY.	REFERENCE #
58004	Master L/Steels Kit, 722.0 / 722.1 / 722. 2 1970-83	1	
PART #	MASTER W/STEEL KIT	QTY.	REFERENCE #
58006	Master W/Steels Kit, 722.0 / 722.1 / 722.2 1970-83	1	
PART #	FILTER	QTY.	REFERENCE #
58010	Filter, 722.0 / 722.1 / 722.2 Without Tube 1970-77	1	115-270-0398
58010A	Filter, 722.0 / 722.1 / 722.2 With 1" Long Tube 1972-83	1	109-270-0298
58010B	Filter, 722.0 / 722.1 / 722.2 With 3/4" Long Tube 1977-83	1	123-270-0098
PART #	FILTER KIT	QTY.	REFERENCE #
58011	Filter Kit, 722.0 / 722.1 / 722.2 Without Tube 1970-77	1	
58011A	Filter Kit, 722.0 / 722.1 / 722.2 With 1" Long Tube 1972-83	1	
58011B	Filter Kit, 722.0 / 722.1 / 722.2 With 3/4" Long Tube 1977-83	1	
PART #	BANDS	QTY.	REFERENCE #
58022C	Band, 722.0 / 722.1 / 722.2 Center 1 1/2" Wide (Round Holes In Lugs For Struts) Paper Lining (With 1 Groove) Has A Thin Strapping (.110" Thick With Lining) 1970-83	1	
58022D	Band, 722.0 / 722.1 / 722.2 Center 2" Wide (Round Holes In Lugs For Struts) Paper Lining (With 1 Groove) Has A Thin Strapping (.110" Thick With Lining) 1970-83	1	
58022F	Band, 722.0 / 722.1 / 722.2 Center 1 1/2" Wide (Oval Holes In Lugs For Struts) Paper Lining (With 1 Groove) Has A Thin Strapping (.110" Thick With Lining) 1970-83	1	
58024	Band, 722.0 / 722.1 / 722.2 Front 1 1/2" Wide (Round Holes In Lugs For Struts) Composition Lining (Has Thick Strapping (.170" Thick With Lining) 1970-83	1	
58024A	Band, 722.0 / 722.1 / 722.2 Front 1 1/2" Wide (Oval Holes In Lugs For Struts) Composition Lining (Has Thick Strapping (.170" Thick With Lining) 1970-83	1	
58026	Band, 722.0 / 722.1 / 722.2 Center & Rear 1 1/2" Wide (Round Holes In Lugs For Struts) Composition Lining Has A Thin Strapping (.130" Thick With Lining) 1970-83	1-2	
58026A	Band, 722.0 / 722.1 / 722.2 Center & Rear (2" Wide) Round Holes In Lugs For Struts (Composition Lining) Has A Thin Strapping (.130" Thick With Lining) 1970-83	1-2	
58026B	Band, 722.0 / 722.1 / 722.2 Center & Rear 1 1/2" Wide (Oval Holes In Lugs For Struts) Composition Lining Has A Thin Strapping (.130" Thick With Lining) 1970-83	1-2	
58026C	Band, 722.0 / 722.1 / 722.2 Rear 2" Wide (Split Band) Round Holes In Lugs For Struts (Composition Lining)	1	
58026D	Band, 722.0 / 722.1 / 722.2 Center & Rear (1 1/2" Wide) Round Holes In Lugs For Struts (Composition Lining) Has A Thin Strapping (.130" Thick With Lining) 1970-83	1-2	
PART #	BUSHINGS	QTY.	REFERENCE #
58034	Bushing, 722.1 Pump Body (1 1/16"OD Converter Hub)	1	
58034B	Bushing, 722.0 / 722.2 Pump Body (1 5/8"OD Converter Hub)	1	112-272-4350
58035	Bushing, 722.0 / 722.2 Inner Pump Gear	1	
58044	Bushing, 722.0 / 722.1 / 722.2 Oil Feed Sleeve	2	
PART #	METAL CLAD SEALS	QTY.	REFERENCE #
58070	Seal, 722.1 Front (1 1/16"OD Converter Hub)	1	008-997-2546
58070A	Seal, 722.0 / 722.2 Front (1 5/8"OD Converter Hub)	1	004-997-0547
58074	Seal, 722.0 / 722.1 / 722.2 Extention Housing	1	005-997-1146
PART #	FRICTION CLUTCH	QTY.	REFERENCE #
58104	Friction, 722.0 / 722.1 / 722.2 K1 & K2 Clutch (.083") 51 Teeth	8	
58104A	Friction, 722.0 / 722.1 / 722.2 K1 & K2 Clutch (.098") 51 Teeth	8	
58119	Friction Module, 722.0 / 722.1 / 722.2 (.083") 51 Teeth	1	

PART #	STEEL CLUTCH	QTY.	REFERENCE #
58124.....	Steel, 722.0 / 722.1 / 722.2 K1 & K2 Clutch (2.0mm) (.079") 12 Teeth.....	AR.....	109-272-1526
58124A.....	Steel, 722.0 / 722.1 / 722.2 K1 & K2 Clutch (2.0mm) (.118") 12 Teeth.....	AR.....	109-272-0626
58124B.....	Steel, 722.0 / 722.1 / 722.2 K1 & K2 Clutch (2.0mm) (.138") 12 Teeth.....	AR.....	109-272-1426
58139.....	Steel Module, 722.0 / 722.1 / 722.2 (.079") 12 Teeth.....	1.....	

PART #	CLUTCH PRESSURE PLATES	QTY.	REFERENCE #
58144.....	Pressure Plate, 722.0 / 722.1 / 722.2 K1 Clutch.....	1.....	
58146.....	Backing Plate, 722.0 / 722.1 / 722.2 K2 Clutch.....	1.....	

PART #	MODULATORS	QTY.	REFERENCE #
58160C.....	Modulator, Steel/Plastic (Snap Ring Type) 1977-81.....	1.....	
58160D.....	Modulator, 722.0 / 722.1 / 722.2 Steel (With Green Dot).....	1.....	
58160E.....	Modulator, 722.0 / 722.1 / 722.2 Steel (With Red Top).....	1.....	
58163.....	Valve, 722.0 / 722.1 / 722.2 Under Modulator.....	1.....	
58164.....	Pin, 722.0 / 722.1 / 722.2 Modulator.....	1.....	

PART #	OIL SEALING RINGS	QTY.	REFERENCE #
58175.....	Ring Kit, 722.0 / 722.1 / 722.2.....	1.....	

PART #	WASHERS & BEARINGS	QTY.	REFERENCE #
58210.....	Shim, 722.0 / 722.1 / 722.2 Input Shaft (Front).....	1.....	
58211.....	Ball Bearing, 722.0 / 722.1 / 722.2 Input Shaft (Front).....	1.....	
58212.....	Washer, 722.1 / 722.2 Input Shaft (Front).....	1.....	115-272-4562
58226.....	Washer, 722.0 / 722.1 / 722. 2 Oil Feed Sleeve (Takes 2).....	2.....	115-270-1373
58229.....	Needle Bearing, 722.0 B-2 Hub To Hollow Shaft.....	1.....	
58232.....	Washer, 722.1 / 722.2 Input Shaft To Planet (Beveled Top Hat).....	1.....	115-272-4962
58232A.....	Bearing, 722.0 Input Shaft To Planet (Flat).....	1.....	
58232B.....	Bearing, 722.0 Input Shaft To Planet (450).....	1.....	
58234.....	Bearing, 722.0 Hollow Shaft Front (450).....	1.....	
58235.....	Needle Bearing, 722.0 / 722.1 / 722.2 Intermediate Shaft (Front).....	1.....	
58236.....	Washer, 722.0 / 722.1 / 722.2 K-2 Hub To Intermediate Shaft.....	1.....	
58238.....	Washer, 722.0 Front Planet (Rear) (450).....	1.....	
58238A.....	Washer, 722.1 / 722.2 Front Planet (Rear).....	1.....	
58239.....	Shim, 722.1 / 722.2 Front Planet (Rear).....	1.....	
58241.....	Needle Bearing, 722.1 / 722.2 Sun Gear Inner (3 Pieces).....	1.....	
58241A.....	Needle Bearing, 722.0 Sun Gear Inner (1 Piece).....	1.....	
58242.....	Spacer, 722.0 Snap Ring To B1 Drum.....	1.....	
58243.....	Shim, 722.1 / 722.2 2nd Planet To Sun Gear.....	1.....	
58244.....	Washer, 722.1 / 722.2 2nd Planet To Sun Gear.....	1.....	
58247.....	Washer, 722.0 / 722.1 / 722.2 Rear Sun Gear To Ball Bearing.....	1.....	
58250.....	Bearing, 722.0 / 722.1 / 722.2 Rear Planet (Rear).....	1.....	007-981-3900
58251.....	Needle Bearing, 722.0 / 722.1 / 722.2 Rear Planet (Rear) 2 Pieces.....	1.....	
58263.....	Ball Bearing, 722.0 / 722.1 / 722.2 Output Shaft (Front).....	1.....	
58268.....	Needle Bearing, 722.0 Rear Planet (Inner) (Front) 3/4" Long.....	1.....	
58268A.....	Needle Bearing, 722.0 Rear Planet (Inner) (Front) 1/2" Long.....	1.....	
58269.....	Bearing, 722.2 Intermediate Shaft (.890"ID).....	1.....	
58269A.....	Bearing, 722.0 / 722.1 Intermediate Shaft (.675"ID).....	1.....	
58270.....	Washer, 722.0 / 722.1 / 722.2 Speed-O Gear To Ball Bearing.....	1.....	
58271.....	Ball Bearing, 722.0 / 722.1 / 722.2 Output Shaft (Rear).....	1.....	

PART #	GASKETS & RUBBER COMPONENTS	QTY.	REFERENCE #
58300.....	Gasket, 722.0 / 722.1 / 722. 2 Bottom Pan (Rubber).....	1.....	115-271-1680

PART #	TECHNICAL MANUALS	QTY.	REFERENCE #
58400.....	Technical Manual, 722.0 / 722.1 / 722.2.....	1.....	83-7222TM

PART #	ELECTRICAL COMPONENTS	QTY.	REFERENCE #
58410.....	Neutral Switch, 722.0 / 722.1 / 722.2.....	1.....	
58434.....	Switch, 722.0 / 722.1 / 722.2 Kickdown.....	1.....	

# 722.0 / 722.1 / 722.2

RWD 3 & 4 Speed

PART #	HARD PARTS	QTY.	REFERENCE #
58509	Rear Pump Assembly, 722.0 / 722.1 / 722.2 ( 2 1/8" Steel Collar)	1	
58509A	Rear Pump Assembly, 722.0 / 722.1 / 722.2 ( 2 7/8" Steel Collar)	1	
58510	Pump Body, 722.1 (115-277-0420) Without Plate	1	116-270-0090
58510A	Pump Body, 722.0 / 722.2 (Cast # 1020) Without Plate	1	
58510B	Pump Body, 722.2 (010-277-0420) Without Plate	1	
58529	Shaft, 722.0 / 722.2 Stator (4 1/16" Long) 1.457"OD Surface Where Presses In Bell	1	
58529A	Shaft, 722.0 / 722.2 Stator (4 1/16" Long) 1.573"OD Surface Where Presses In Bell	1	
58529B	Shaft, 722.0 / 722.2 Stator (4 9/16" Long)	1	

PART #	PUMP COMPONENTS	QTY.	REFERENCE #
58543	Eccentric Wheel, 722.0 / 722.2 (Drives The Rear Pump)	1	
58544	Plate, 722.0 / 722.2 Pump (1 1/2" Center Hole With Splines)	1	
58544A	Plate, 722.1 Pump ( 1 1/4" Center Hole) No Splines	1	

PART #	HARD PARTS (Continued)	QTY.	REFERENCE #
58554	Drum, 722.0 Band With K-1 Clutch	1	
58554A	Drum, 722.1 / 722.2 Band With K-1 Clutch	1	
58555	Drum, 722.0 Rear (Except 450)	1	
58555A	Drum, 722.0 Rear (450 Only)	1	
58555B	Drum, 722.1 / 722.2 Rear (3 1/2" Wide)	1	
58556	Drum, 722.1 / 722.2 Second Ring Gear & Band Drum	1	
58556A	Drum, 722.0 Band	1	
58564	Piston Kit, 722.0 / 722.1 / 722.2 K-1 Clutch	1	
58565	Piston Kit, 722.0 / 722.1 / 722.2 K-2 Clutch (B-2 Drum)	1	
58575	Clutch Hub W/Shaft, 722.0 Hollow With Race (450)	1	
58575A	Clutch Hub W/Shaft, 722.1 / 722.2 Hollow W/Cam & Hub (1 1/8" Hub)	1	
58575B	Clutch Hub W/Shaft, 722.1 / 722.2 Hollow W/Cam & Hub (1 3/16" Hub)	1	
58575C	Clutch Hub W/Shaft, 722.1 / 722.2 Hollow W/Cam & Hub (1 5/16" Hub)	1	
58579	Hub, 722.0 / 722.1 / 722.2 B-2 Drum	1	
58582	Planet, 722.0 Front	1	
58582A	Planet, 722.1 / 722.2 Front (1 9/16"OD Hub Inside)	1	
58582B	Planet, 722.1 / 722.2 Front (1 3/4"OD Hub Inside)	1	
58584	Planet, 722.0 With Output Shaft (Uses 3/4" Long Bearing # 268)	1	
58584A	Planet, 722.1 / 722.2 With Output Shaft (Uses 1/2" Long Bearing # 268) Bearing # 268 Is Flush With The Top Of Hole	1	
58584B	Planet, 722.1 / 722.2 With Output Shaft (Uses 1/2" Bearing # 268) Bearing # 268 Sets 1/8" Below Surface	1	
58586	Planet, 722.1 / 722.2 Second (.160" Thick Hub)	1	
58586A	Planet, 722.1 / 722.2 Second (.133" Thick Hub)	1	
58592	Ring Gear, 722.0 / 722.1 / 722.2 Front & Rear Planet (1.140" Thick)	2	
58592A	Ring Gear, 722.0 / 722.1 / 722.2 Front & Rear Planet (1.220" Thick)	2	
58612	Sun Gear, 722.0 Front (450)	1	
58614	Sun Gear, 722.0 / 722.1 / 722.2 Rear	1	
58616	Sun Gear, 722.1 / 722.2 Intermediate	1	

PART #	SPRAGS & ONE WAY CLUTCHES	QTY.	REFERENCE #
58642	Sprag, 722.0 Freewheel Assembly	1	

PART #	HARD PARTS (Continued)	QTY.	REFERENCE #
58670	Input Shaft, 722.2 With Sun Gear (7 1/2" Long)	1	
58670A	Input Shaft, 722.1 With Sun Gear (6 1/2" Long)	1	
58670B	Input Shaft, 722.0 With Flange (7 3/16" Long) (450)	1	
58674	Shaft, 722.0 Intermediate With Hub (Except 450)	1	
58674A	Shaft, 722.0 Intermediate With 1 1/8" Hub (450)	1	
58674B	Shaft, 722.0 Intermediate With 1 1/4" Hub (470)	1	
58674C	Shaft, 722.1 / 722.2 Intermediate With Hub	1	
58680	Governor Assembly, 722.0 / 722.1 / 722.2	1	
58690	Park Gear, 722.0 / 722.1 / 722.2	1	
58697	Oil Distributor Sleeve, 722.0 / 722.1 / 722.2	1	
58740A	Valve Body, 722.0 / 722.1 / 722.2 (100 270 3607 Ink #)	1	
58740B	Valve Body, 722.0 / 722.1 / 722.2 (114 270 5207 Ink #)	1	
58740C	Valve Body, 722.0 / 722.1 / 722.2 (115 270 6107 Ink #)	1	
58740D	Valve Body, 722.0 / 722.1 / 722.2 (116 270 2207 Ink #)	1	
58740E	Valve Body, 722.0 / 722.1 / 722.2 (123 270 0007 Ink #)	1	

MERCEDES

58750.....	Bell Housing, 722.0 (Cast # 103) (450 Model) .....	1
58750A.....	Bell Housing, 722.0 (Cast # 103) (Except 450 Model) .....	1
58750B.....	Bell Housing, 722.1 / 722.2 (Cast #115) .....	1
58750C.....	Bell Housing, 722.1 / 722.2 (Cast #130) .....	1
58760.....	Case, 722.0 / 722.1 / 722.2 (Cast #) 1970-75 .....	1
58760A.....	Case, 722.0 / 722.1 / 722.2 (Cast #) 1976-80 .....	1
58765.....	Pan, 722.0 / 722.1 / 722.2 .....	1
58770.....	Extention Housing, 722.0 / 722.1 / 722.2 .....	1
58774.....	Housing, 722.0 / 722.1 / 722.2 Driven Speed-O Gear .....	1
58798.....	Nut, 722.0 / 722.1 / 722.2 Holds Yoke To Output Shaft .....	1
58841.....	Yoke, 722.0 / 722.1 / 722.2 .....	1
58847.....	Gear, 722.0 / 722.1 / 722.2 Drive .....	1
58848.....	Gear, 722.0 / 722.1 / 722.2 Driven .....	1
58876.....	Snap Ring, 722.0 / 722.1 / 722.2 B-1 Front Clutch Drum (.097" Thick) (.195" Wide) .....	1
58876A.....	Snap Ring, 722.0 / 722.1 / 722.2 B-1 Drum Holds Pressure Plate In (.097" Thick) (.132" Wide) ...	1
58877.....	Snap Ring, 722.0 / 722.1 / 722.2 Holds K-1 Retainer To Drum .....	1
58878.....	Snap Ring, 722.0 / 722.1 / 722.2 Holds Pressure Plate To B-2 Drum .....	1
58879.....	Snap Ring, 722.0 / 722.1 / 722.2 Holds B-2 Hub To B-2 Drum .....	1
58880.....	Snap Ring, 722.1 / 722.2 Front Planet to K-2 Hub .....	1
58881.....	Snap Ring, 722.0 Holds Input Shaft To ring Gear .....	2
58881A.....	Snap Ring, 722.1 / 722.2 Holds Front Planet In B-3 Drum .....	1
58882.....	Snap Ring, 722.0 Holds Front Planet In B-3 Drum .....	1
58882A.....	Snap Ring, 722.1 / 722.2 Holds Front Ring Gear To Intermediate Planet .....	2
58883.....	Snap Ring, 722.0 B-2 Hub .....	1
58886.....	Snap Ring, 722.0 Holds Clutch To B1 Drum .....	1
58889.....	Snap Ring, 722.0 Holds Intermediate Shaft To Rear Ring Gear .....	2
58895.....	Snap Ring, 722.0 / 722.1 / 722.2 Holds Ball Bearing In Extention Housing .....	1
58896.....	Snap Ring, 722.0 / 722.1 / 722.2 Holds B-3 Servo Cover In .....	1
58897.....	Snap Ring, 722.0 / 722.1 / 722.2 Holds B-1 Servo Cover To Case .....	1
58898.....	Snap Ring, 722.0 / 722.1 / 722.2 Holds B-2 Servo Cover In .....	1
58900.....	Servo Assembly, 722.0 / 722.1 / 722.2 B-1 Band .....	1
58901.....	Spring, 722.0 / 722.1 / 722.2 B1 Servo .....	2
58902.....	Piston, 722.0 / 722.1 / 722.2 B1 Servo .....	1
58904.....	Cover, 722.0 / 722.1 / 722.2 B1 Servo .....	1
58905.....	Servo Assembly, 722.0 / 722.1 / 722.2 B-2 Band .....	1
58906.....	Spring, 722.0 / 722.1 / 722.2 B-2 Servo .....	1
58907.....	Piston, 722.0 / 722.1 / 722.2 B-2 Servo .....	1
58909.....	Cover, 722.0 / 722.1 / 722.2 B-2 Servo .....	1
58910.....	Servo Assembly, 722.0 / 722.1 / 722.2 B-3 Band .....	1
58911.....	Spring, 722.0 / 722.1 / 722.2 B-3 Servo .....	1
58912.....	Piston, 722.0 / 722.1 / 722.2 B-3 Servo .....	1
58914.....	Cover, 722.0 / 722.1 / 722.2 B-3 Servo .....	1
58916.....	Strut Assembly, 722.0 / 722.1 / 722.2 Band .....	1
58917.....	Apply Pin, 722.0 / 722.1 / 722.2 Servo .....	1
58920.....	Bolt, 722.0 / 722.1 / 722.2 Band Adjusting .....	1
58921.....	Band Guide, 722.0 / 722.1 / 722.2 Plastic (Cast #) .....	1
58926.....	Spring, 722.0 / 722.1 / 722.2 Accumulator .....	1
58927.....	Piston, 722.0 / 722.1 / 722.2 Accumulator .....	1
58964.....	Piston, 722.0 / 722.1 / 722.2 K-1 Clutch .....	1
58965.....	Piston, 722.0 / 722.1 / 722.2 K-2 Clutch (B-2 Drum) .....	1
58974.....	Spring, 722.0 / 722.1 / 722.2 K-1 Clutch Return .....	1
58975.....	Spring, 722.0 / 722.1 / 722.2 K-2 Clutch Return .....	1
58980.....	Retainer, 722.1 / 722.2 Bearing Input .....	1
58984.....	Retainer, 722.0 / 722.1 / 722.2 K-1 Clutch Spring .....	1
58985.....	Retainer, 722.0 / 722.1 / 722.2 K-2 Clutch Return Spring .....	1
58991.....	Linkage Assembly, 722.0 / 722.1 / 722.2 Internal .....	1
58995.....	Park Pawl Assembly, 722.0 / 722.1 / 722.2 .....	1
58999.....	Oil Tubes, 722.0 / 722.1 / 722.2 .....	1