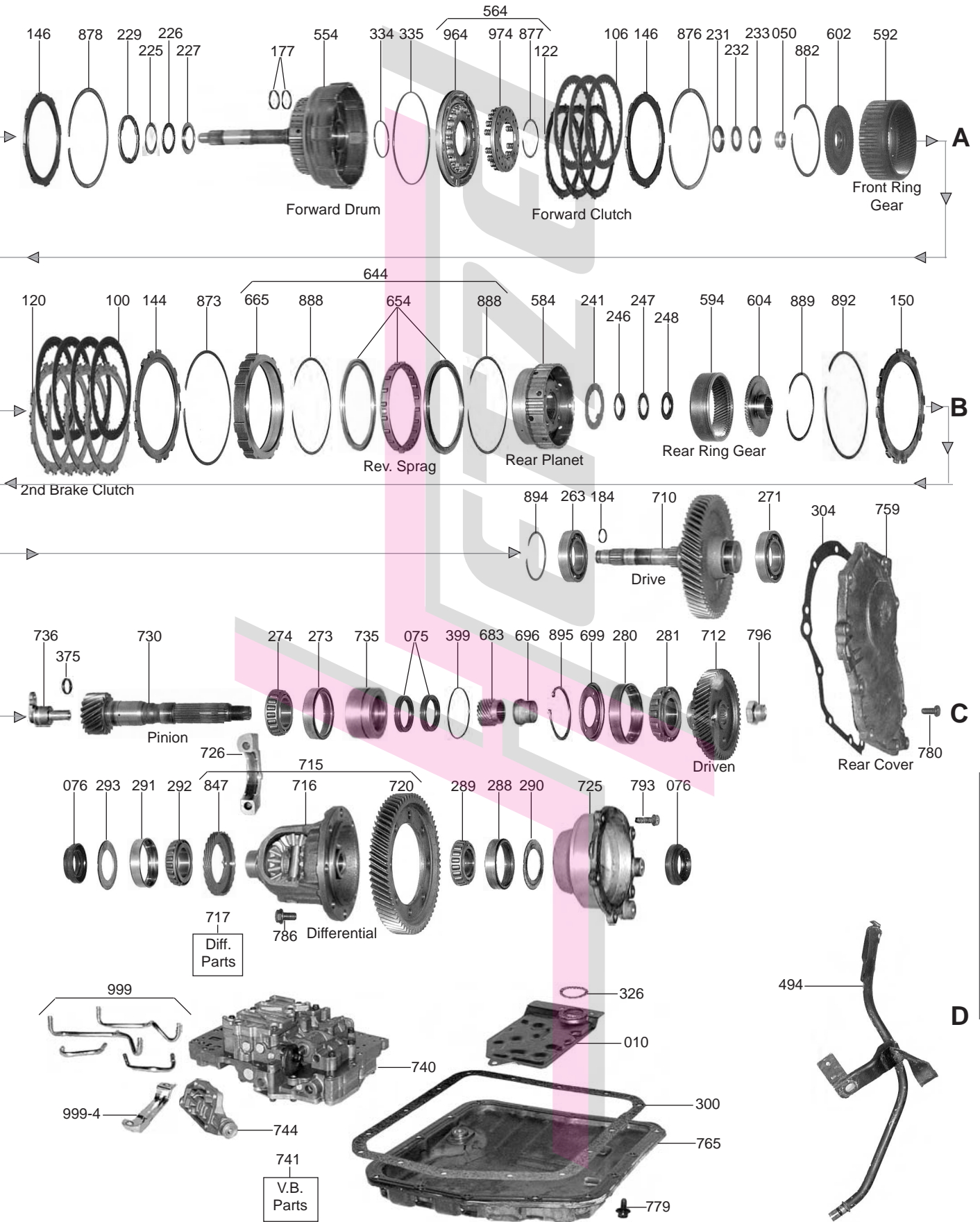


TOYOTA

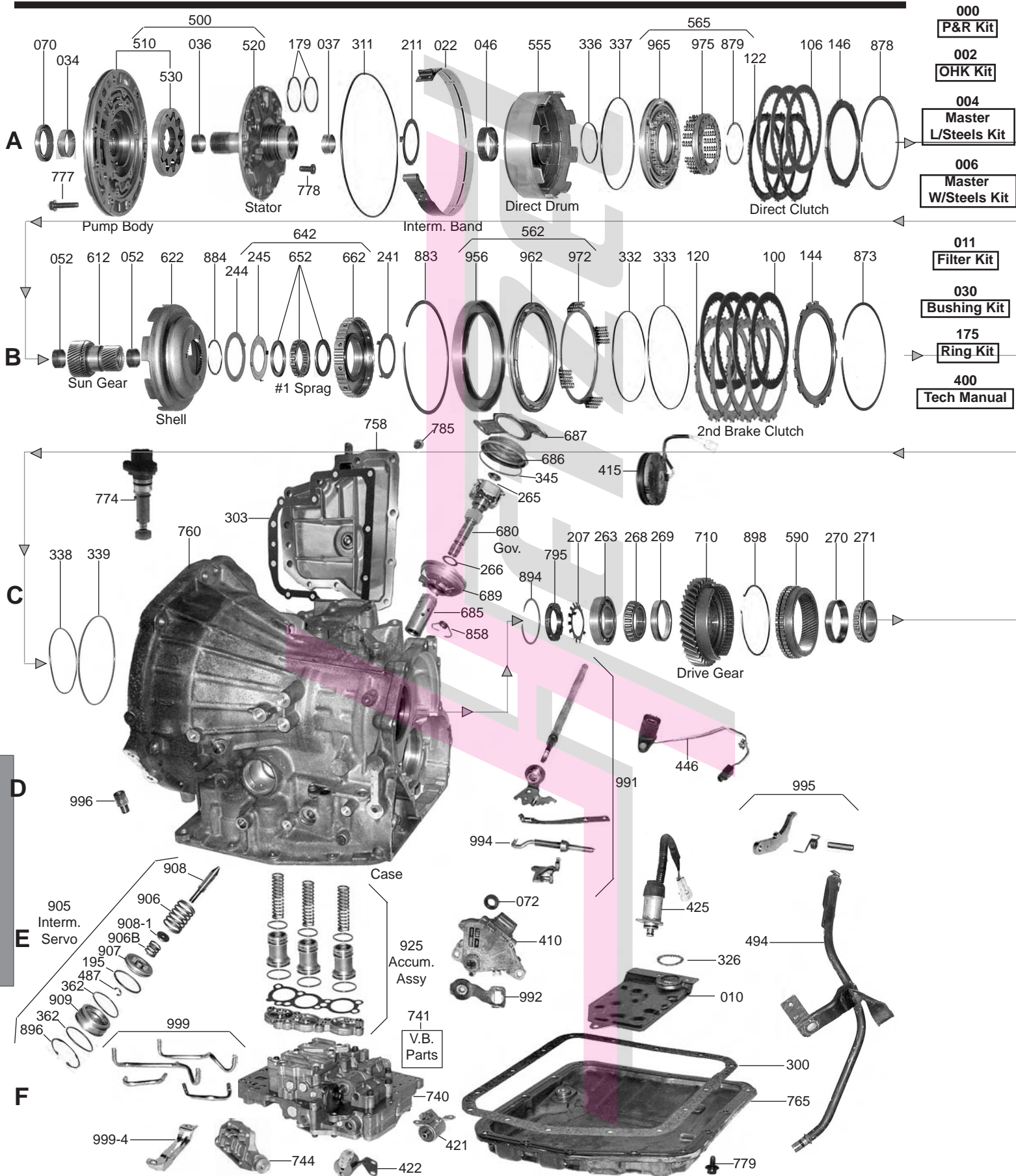


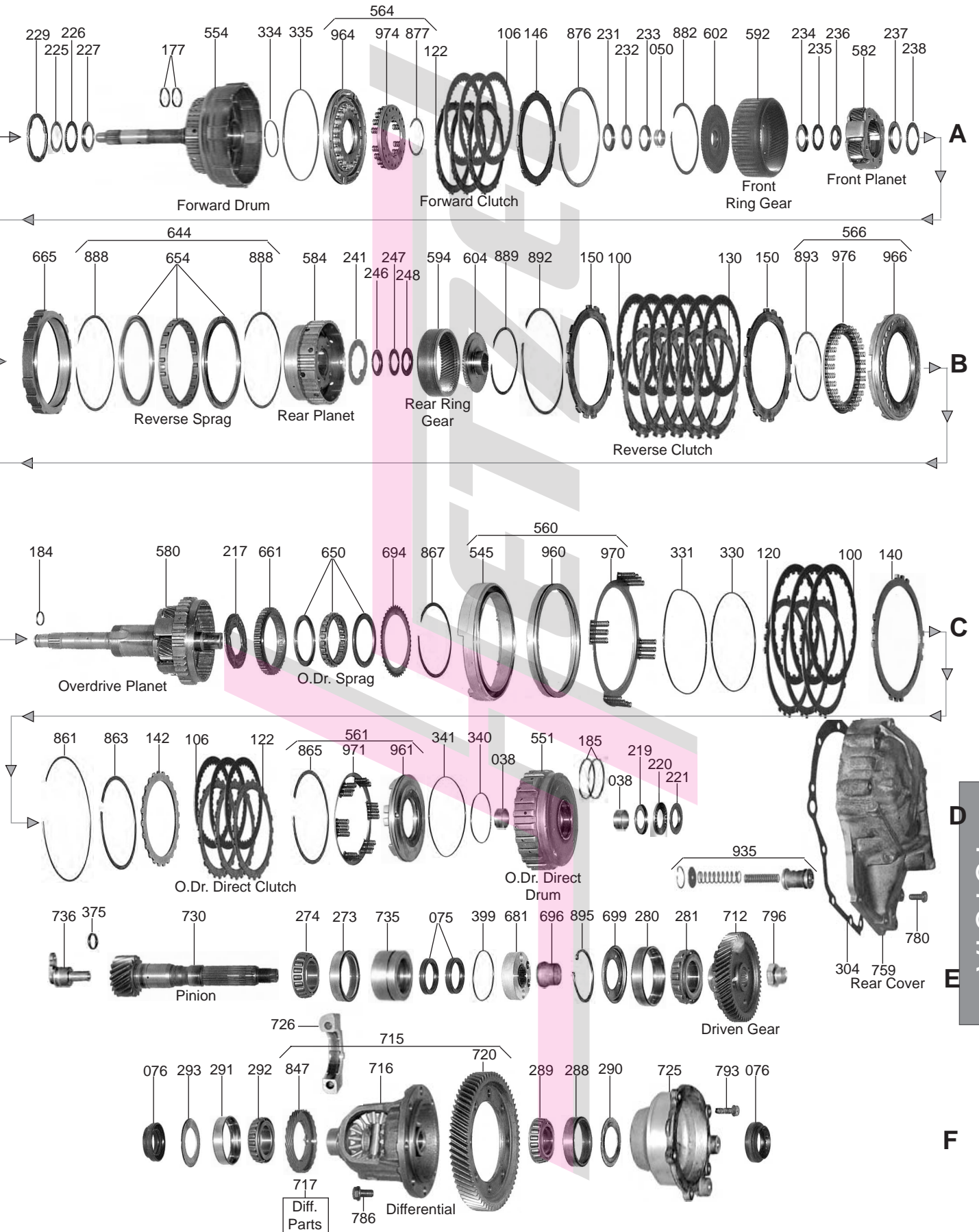
TOYOTA



# A140 / A141 / A142

FWD 4 Speed



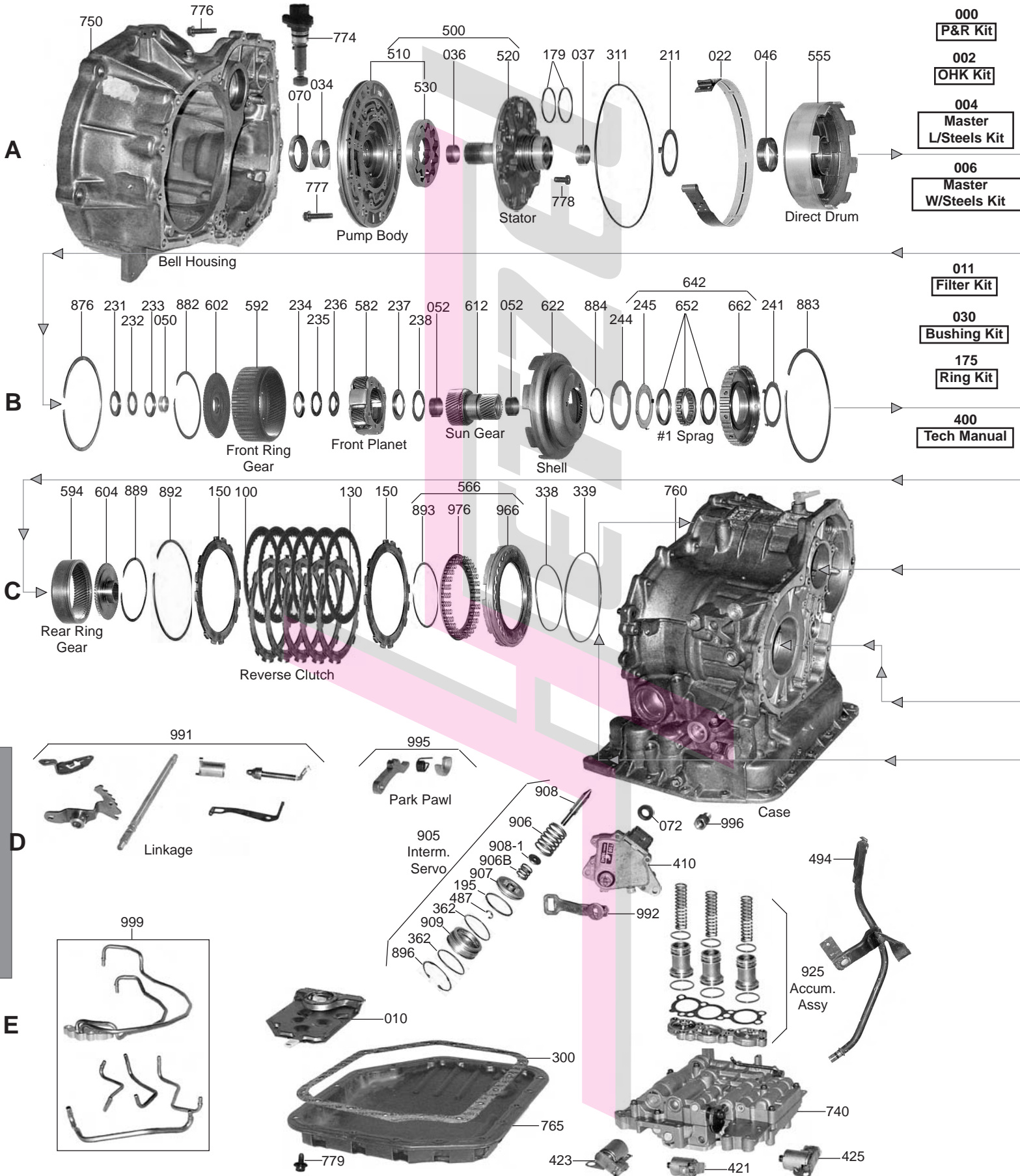


TOYOTA

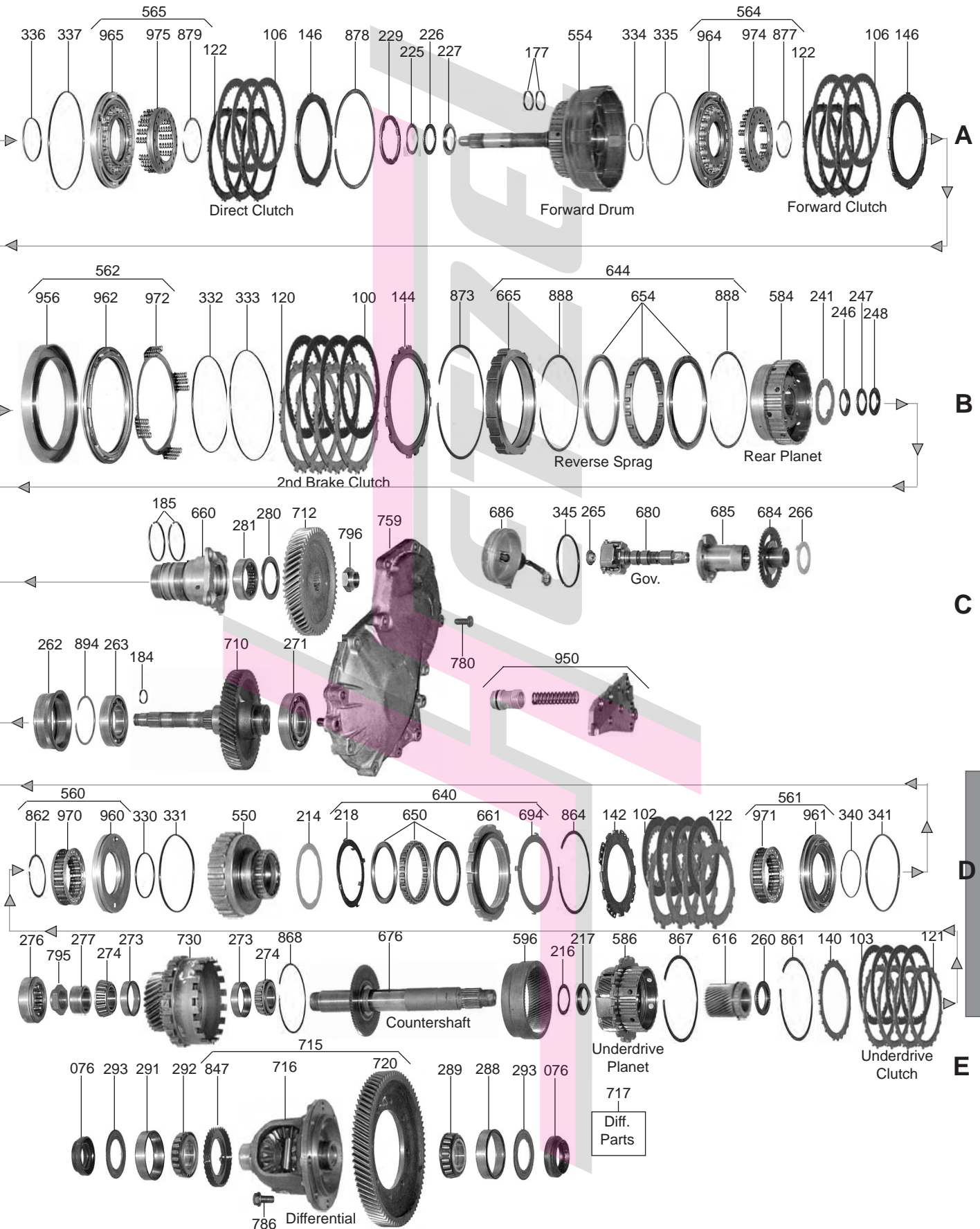


# A240 Thru A247

## FWD 4 Speed Underdrive



TOYOTA



TOYOTA

# A130 thru A247

FWD 3 & 4 Speed

PART #	PAPER & RUBBER KIT	QTY.	REFERENCE #
67000B	Paper & Rubber Kit, A130/A131/A132 1984-Up	1	
67000C	Paper & Rubber Kit, A140/A141/A143 1983-Up	1	
67000D	Paper & Rubber Kit, A240/A241/A242L/A243L/A244E 1985-Up	1	
67000DA	Paper & Rubber Kit, A245E/A246E/A247E 1992-Up	1	

PART #	OVERHAUL KITS	QTY.	REFERENCE #
67002B	Overhaul Kit, A130/A131/A132 1984-96	1	
67002C	Overhaul Kit, A140/A141/A143 1983-Up	1	
67002D	Overhaul Kit, A240/A241/A242L/A243L/A244E 1985-Up	1	
67002DA	Overhaul Kit, A245E/A246E/A247E 1992-Up	1	
67002DBF	Overhaul Kit, A245E 2003-Up	1	

PART #	MASTER L/STEEL KIT	QTY.	REFERENCE #
67004B	Master L/Steels Kit, A130/A131/A132 1984-Up	1	
67004C	Master L/Steels Kit, A140E/A141E (MR2) 1983-E1986	1	
67004CA	Master L/Steels Kit, A140E/A140L/A141L (Camry L1986-8/1991, Celica L1986-8/1993)	1	
67004CB	Master L/Steels Kit, A140E/A140L/A143 (Camry 8/1991-Up, Celica 9/1993-Up)	1	
67004D	Master L/Steels Kit, A240/A241/A242L/A243L/A244E (Corolla 8/1984-5/1992, Celica 9/1985-1993, MR2 6/1986-1993)	1	
67004DA	Master L/Steels Kit, A245E/A246E/A247E 1992-02(When Out Use 67004DA Or 67004DBF)	1	
67004DBF	Master L/Steels Kit, A245E 2003-Up	1	

PART #	MASTER W/STEEL KIT	QTY.	REFERENCE #
67006B	Master W/Steels Kit, A130/A131/A132 1984-Up	1	
67006C	Master W/Steels Kit, A140E/A141E (MR2) 1983-E1986	1	
67006CA	Master W/Steels Kit, A140E/A140L/A141E (Camry L1986-8/1991) (Celica L1986-8/1993)	1	
67006CB	Master W/Steels Kit, A140E/A140L/A143 (Camry 8/1991-Up) (Celica 9/1993-Up)	1	
67006D	Master W/Steels Kit, A240/A241/A242L/A243L/A244E (Corolla 8/1984-5/1992, Celica 9/1989-1993, MR2 6/1986-1993)	1	
67006DA	Master W/Steels Kit, A245E/A246E/A247E (Corolla 6/1992-7/2002)(Celica 1.8L 9/1993-1999) (RAV4 2WD 9/1997-10/1999)(Geo Prism 1.8L 1993-2001)(Matrix 1.8L 2003-06)(Pontiac Vibe 2WD 2003-07)	1	

PART #	FILTER	QTY.	REFERENCE #
67010B	Filter, A130/A140 (With Square Pick-Up) (2"x2 1/4") 1983-97	1	35330-32022
67010BA	Filter, A130/A140 (With Rectangle Pick-Up Opening 1/2" x 2 1/4") 1983-Up	1	61576
67010D	Filter, A240/A241/A243 2WD 1985-Up	1	
67010DA	Filter, A245E/A246E 1993-2	1	
67010DB	Filter, A241H AWD 198-Up (MR2, Paeo, RAV, Terce AWD)	1	3533-12020
67010DC	Filter, A25E / A246E 2003-Up	1	
87010	Filter, A140 AWD (Outlet Hole On Valve Body Side Is 1.015"ID x 1.165"ID)	1	

PART #	FILTER KIT	QTY.	REFERENCE #
67011B	Filter Kit, A130/A140 (1.5L, 1.6L, 2.2L Engine) With Square Pick-Up (2" x 2 1/4") 1983-97	1	
67011BA	Filter Kit, A130/A140 (1.6L, 1.8L, 2.0L & 2.2L Engine) With Rectangle Pick-Up (1/2" x 2 1/4") 1989	1	
67011C	Filter Kit, A140 4x4	1	
67011D	Filter Kit, A240/A241/A243 2WD 1985-Up	1	
67011DA	Filter Kit, A245E/A246E 1993-Up	1	



PART #	BANDS	QTY.	REFERENCE #
67022B	Band, A130/A140/A240 (1" Wide) 1983-Up	1	35810-32020
PART #	BUSHINGS	QTY.	REFERENCE #
67030B	Bushing Kit, A130/A140/A240 1983-Up	1	
57034A	Bushing, A130/A140/A240 Pump Body (1.500"ID)(Brass With Oil Pockets)	1	
57036B	Bushing, A130/A140/A240 Stator (Front)	1	
67037A	Bushing, A130/A140/A240 Stator (Rear)	1	
67038C	Bushing, A140/A240 Overdrive Direct Drum (Or Overdrive Sun Gear)	2	
67046A	Bushing, A130/A140/A240 Direct Drum	1	
67050B	Bushing, A130/A140/A240 Input Hub 1983-Up	1	
67052A	Bushing, A130/A140/A240 Sun Gear	2	
67063D	Bushing, A240 Driven Governor Gear To Case	1	
PART #	METAL CLAD SEALS	QTY.	REFERENCE #
57070A	Seal, A130/A140/A240 Pump 1983-Up	1	90311-38020
60072	Seal, A130/A140/A240 Linkage	1	
67075A	Seal, A130 Pinion Shaft 1983-Up	2	
67076B	Seal, A130/A140/A240 Axle (2.137"OD) 1983-Up	1	90311-34007
67076BA	Seal, A130/A140/A240 Axle (2.180"OD) 1983-Up	2	90311-35010
67076BC	Seal, A130/A140/A240 Axle (2.492"OD) 1983-Up	1	90311-34013
67077D	Seal, A241 (Corolla AWD) Axle (Drivers Side) 1989-92	1	90311-44004
127077A	Seal, A131 Axle (Drivers Side) (2.210"OD) 2000-Up	1	
57078A	Seal, A130/A140/A240 Speed-O Housing	1	
PART #	FRICITION CLUTCH	QTY.	REFERENCE #
67100A	Friction, A130/A140/A240 2nd Brake/Reverse/Overdrive Brake Clutch .067" (33 Teeth) (5.60"OD)	9-12	35677-32040
67100B	Friction, A132L/A140 Reverse Clutch .059" (33 Teeth) (5.60"OD) 1993-Up	5-6	
67100C	Friction, A140 Overdrive Brake .075" (24 Teeth) (6.50"OD)	3	35677-20010
67100CA	Friction, A140/A240 2nd Brake Clutch .075" (33 Teeth) (5.60"OD) 1986-Up	3	
67100D	Friction, A245E Reverse Clutch .069" (33 Teeth) (5.60"OD) 1993-Up	5-6	
67102D	Friction, A240 Underdrive Brake Clutch .067" (26 Teeth) (4.30"OD) 1985-92	3-4	
67102DA	Friction, A240 Underdrive Brake .069" (26 Teeth) (4.30"OD) 1993-Up	3	
67102DB	Friction, A240 Underdrive Brake .075" (34 Teeth) (4.30"OD) (Use 67103C)	3-4	
67103C	Friction, A140 4x4 Differential Lock .075" (34 Teeth) (4.30"OD) (Also Fits A240 Underdrive Brake)	3-11	34261-12020
67106A	Friction, A130/A140/A240 Forward/Direct/Overdrive Direct Clutch .067" (40 Teeth) (4.975"OD)	2-9	35633-32050
67106C	Friction, A140/A240 Direct/Overdrive Direct Clutch .075" (40 Teeth) Smooth (4.975"OD) 1986-Up	2-6	35633-32031
PART #	STEEL CLUTCH	QTY.	REFERENCE #
67120B	Steel, A130/A140/A240 2nd Brake Clutch .071" (12 Teeth) (4.60"ID) (With 4 Notched Teeth) 1983-Up	3-4	34648-32010
67120C	Steel, A140 Overdrive Brake Clutch .071" (12 Teeth) (4.60"ID) 1983-86 (Also Fits A130/A140/A240 Reverse Clutch 1983-Up)	3-12	
67120CA	Steel, A140 Overdrive Brake Clutch .071" (12 Teeth) (5.60"ID) (With 4 Notched Teeth) 8/1986-Up	6	35648-20010
67120CB	Steel, A140 Overdrive Brake .098" (12 Teeth) (5.60"ID) 1991-Up	2	
67121D	Steel, A140/A240E/A240L/A241E Underdrive & Differential Lock Clutch .071" (20 Teeth) (3.56"ID) 1985-Up	3-12	34264-12010
67121DA	Steel, A240 Underdrive Clutch .071" (8 Teeth) (3.420"ID) 1993-Up	3	34264-12020
67122A	Steel, A130/A140/A240 Forward/Direct/Overdrive Direct Clutch .071" (8 Teeth) (4.160"ID)	3-9	
67122C	Steel, A140 Overdrive Direct Clutch .071" (20 Teeth) (4.145"ID) 8/1986-Up	2-3	35634-20010
67122D	Steel, A240 Underdrive Brake Clutch .071" (8 Teeth) (3.15"ID)	3	61475
67130B	Steel, A130/A140/A240 Reverse Clutch .071" (12 Teeth) (4.60"ID) (Use 67120C)	5-8	35648-32020
67130D	Steel, A240 Reverse .071" (12 Teeth) (4.72"ID) 1993-Up	5-8	
PART #	CLUTCH PRESSURE PLATES	QTY.	REFERENCE #
67140C	Pressure Plate, A140 Overdrive Brake Clutch	1	
67140D	Pressure Plate, A240 Underdrive Clutch	1	
67142CA	Pressure Plate, A140 Overdrive Direct Clutch (24 Teeth) (3.08mm) 8/1986-Up	1	
67142D	Pressure Plate, A240 Underdrive Brake Clutch	1	

TOYOTA



# A130 thru A247

FWD 3 & 4 Speed

PART #	CLUTCH PRESSURE PLATES (Continued)	QTY.	REFERENCE #
67144B	Pressure Plate, A130/A140/A240 2nd Brake Clutch	1	
67146A	Pressure Plate, A130/A140/A240 Forward & Direct Clutch (3.37mm) (8 Teeth)	1-2	
67146AA	Pressure Plate, A130/A140/A240 Forward & Direct Clutch (3.00mm) (8 Teeth)	1-2	
67146AB	Pressure Plate, A130/A140/A240 Forward & Direct Clutch (2.80mm) (8 Teeth)	1-2	
67146AC	Pressure Plate, A130/A140/A240 Forward & Direct Clutch (2.50mm) (8 Teeth)	1-2	
67146B	Pressure Plate, A130/A140/A240 Forward & Direct Clutch (3.60mm) (8 Teeth)	1-2	
67146BA	Pressure Plate, A130/A140/A240 Forward & Direct Clutch (3.83mm) (8 Teeth)	1-2	
67146BB	Pressure Plate, A130/A140/A240 Forward & Direct Clutch (4.22mm) (8 Teeth)	1	
67150A	Pressure Plate, A130/A140/A240 Reverse Clutch	1	

PART #	OIL SEALING RINGS	QTY.	REFERENCE #
67175B	Ring Kit, A130 1983-Up	1	
67175C	Ring Kit, A140E/A141E/A142L/A240E 1983-Up	1	
67175D	Ring Kit, A240 1985-Up	1	
67177AT	Ring, A130/A140/A240 Forward Clutch (Teflon)	2-3	
67179A	Ring, A130/A140/A240 Direct Clutch (Metal)	2	61200
67184AT	Ring, A130/A140/A240 Intermediate Shaft (Teflon)	1	
67185CT	Ring, A140 Overdrive Direct Clutch (Teflon)	2	
67185D	Ring, A240 Underdrive Support To Drum (Metal)	2	
67195AT	Ring, A130/A140/A240 2nd Coast Servo (Teflon)	1	

PART #	WASHERS & BEARINGS	QTY.	REFERENCE #
67207C	Lock Washer, A140 Overdrive Planet Bearing To Nut	1	90209-40001
67211AA	Washer, A130/A140/A240 Stator To Direct Drum	1	35616-32010
67214D	Washer, A240 Underdrive Drum To Sprag	1	
67216D	Race, A240 Underdrive Sun Gear To Countershaft	1	
67217C	Washer, A140 Overdrive Planet To Sprag (.057")	1	34737-32011
67217CA	Washer, A140 Overdrive Planet To Sprag (.109")	1	
67217D	Bearing, A240 Underdrive Sun Gear To Center Shaft	1	
67219C	Race, A140 Overdrive Drum To Rear Cover (Front) 1983-86	1	35789-32090
67219CA	Bearing W/Race, A140 Overdrive Drum To Rear Cover 1987-Up	1	90374-28013
67220C	Bearing, A140 Overdrive Drum To Rear Cover 1983-86	1	90374-28004
67221C	Race, A140 Overdrive Drum To Rear Cover (Rear) 1983-Up	1	35789-20020
67225A	Race, A130/A140/A240 Stator To Forward Drum (0.8mm) (Front)	1	35789-32020
67225AB	Race, A130/A140/A240 Stator To Forward Drum (1.4mm) (Front)	1	35789-32030
67226A	Bearing, A130/A140/A240 Stator To Forward Drum	1	90374-28005
67227A	Race, A130/A140/A240 Stator To Forward Drum (Rear)	1	35789-32010
67229A	Washer, A130/A140/A240 Direct Drum To Forward Drum 1983-Up (.138" Thick)(2.210"ID)	1	35616-32021
67231A	Race, A130/A140/A240 Forward Drum To Hub (Front) (Also Fits A130/A140/A240 Forward Hub To Planet) (Front)	1-2	35789-32040
67232A	Bearing, A130/A140/A240 Forward Drum To Hub (Also Fits A130/A140/A240 Forward Hub To Planet)	1-2	90374-22001
67233A	Race, A130/A140/A240 Forward Drum To Hub (Rear)	1	35789-32050
67233D	Race, A245 Forward Drum To Hub (Rear) 1993-95	1	35789-12040
67234A	Race, A130/A140/A240 Forward Hub To Front Planet (Front) (Use 67231A)	1	
67235A	Bearing, A130/A140/A240 Forward Hub To Front Planet (Use 67232A)	1	
67235D	Bearing, A245 Forward Hub To Front Planet 1993-95	1	90374-25007
67236A	Race, A130/A140/A240 Forward Hub To Front Planet (Rear)	1	35789-32060
67237A	Race, A130/A140/A240 Front Planet To Sun Gear (Front)	1	35789-32070
67238A	Bearing, A130/A140/A240 Front Planet To Sun Gear	1	90374-30006
67238D	Bearing, A245 Front Planet To Sun Gear 1993-95	1	90374-28011
67241A	Washer, A130/A140/A240 Rear Planet To Rear Ring Gear (Plastic) Tabs Are In The Center ID Of Washer Straight Across Center	1	35738-12010
67244A	Washer, A130/A140/A240 Shell To Sprag (2 3/4"OD) Plastic	1	35739-32011
67246A	Race, A130/A140/A240 Sun Gear To Ring Gear Hub (Front)	1	35789-22010
67247A	Bearing, A130/A140/A240 Sun Gear To Rear Ring Gear Hub (3 Piece Type)	1	90374-24002
67248A	Race, A130/A140/A240 Sun Gear To Rear Ring Gear Hub (Rear)	1	35789-32080
67260A	Bearing, A240 Underdrive Sun Gear To Support	1	
67262D	Race, A245E Case To Drive Transfer Gear (This Looks Like A Case Sleeve With 2 Cup Races Made Into It)	1	
67263B	Ball Bearing, A130/A240 Case To Intermediate Shaft (Also A240 Intermediate Shaft to Rear Cover)	1-2	90363-40024
67265A	Washer, A130/A140 Governor To Cover (Plastic)	1	
67265D	Washer, A240 Governor To Cover	1	
67266B	Washer, A130/A240 Governor Gear To Case	1	
67266C	Washer, A140 Under The Governor (Steel)	1	

67271A	Ball Bearing, A130 Intermediate Shaft To Rear Cover	1	
67271D	Ball Bearing, A240 Intermediate Shaft To Rear Cover (Use 67263B)	1	90363-40024
67273D	Cup Race, A240 Center Shaft To Pinion	2	
67274B	Bearing W/Race, A130/A140 Pinion (18 Rollers)	1	
67274BA	Bearing W/Race, A130/A140 Pinion (20 Rollers)	1	90366-35084
67274BB	Bearing W/Race, A130/A140 Pinion (21 Rollers)	1	90366-35090
67274D	Tapered Bearing, A240 Center Shaft To Pinion	2	
67276D	Caged Roller Bearing, A240 Bell To Countershaft	1	
67277D	Race, A240 (Inner) For Roller Bearing #276	1	
67280B	Cup Race, A130/A140 Driven Transfer Gear	1	
67280D	Bearing, A240 Underdrive Drum Support To Driven Transfer Gear	1	
67281B	Tapered Bearing, A130/A140 Driven Transfer Gear	1	90366-40010
67281D	Roller Bearing, A240 Support To Center Driven Gear	1	
67289CA	Bearing W/Race, A140 Differential (Ring Gear Side) 23 Rollers 1987-Up (Cast # 44KB721)	1	90366-44001
67290B	Shim, A130/A140 Differential Bearing Cup Race To Aluminum Differential Retainer	1	
67292B	Bearing W/Race, A130 Differential (Both Sides) (20 Rollers) 1984-89 (Cast # TR080702J)	1-2	90368-38006
67292C	Bearing W/Race, A130/A140 Differential (Both Sides) (20 Rollers) 1984-86 6 (Cast # 57390A-N)	1-2	90368-40002
67292CB	Bearing W/Race, A140 Differential (Speed-O Gear Side) (24 Rollers) 1987-Up (Cast # TRA080702)	1	90366-40016
67293	Shim, A130/A140/A240 Between Differential Bearing Cup & Case	1	

PART #	GASKETS & RUBBER COMPONENTS	QTY.	REFERENCE #
67300B	Gasket, A130/A140 Bottom Pan	1	35168-32010
67300D	Gasket, A240 Bottom Pan	1	
67300DA	Gasket, A245E/A246E Bottom Pan (18 Bolt) 1992-02	1	61170A
67300DB	Gasket, A245E/A246E Bottom Pan (18 Bolt) 2003-Up	1	
67303B	Gasket, A130L Differential Cover	1	
67303BA	Gasket, A131L Differential Cover	1	41182-12010
67303BB	Gasket, A132L Differential Cover	1	35144-10010
67303C	Gasket, A140 Differential Cover	1	
67304CB	Gasket, A140 Overdrive Cover (Rear Cover) 6/1991-01	1	
67304C	Gasket, A140 Overdrive Cover 1983-86	1	34112-32010
67311B	O-Ring, A130/A140/A240 Pump	1	90301-99024
67320DB	Gasket, A241H Valve Body (Upper) (Corolla AWD)	1	35433-12040
67321DB	Gasket, A241H Valve Body (Lower) (Corolla AWD)	1	35434-12020
67322DB	Gasket, A241H Valve Body Tube Cover (Corolla AWD)	1	35172-12020
67326B	Gasket, A130/A140 Filter	1	35339-32010
67326D	Gasket, A240 Filter	1	35339-12010
67345B	O-Ring, A130/A140 Governor Cover	1	90301-67001
67375A	O-Ring, A130/A140 Pinion Center Plug	1	
67399B	O-Ring, A130/A140 Pinion Retainer	1	

PART #	TECHNICAL MANUALS	QTY.	REFERENCE #
67400A	Use 67401A	1	
67400B	Technical Manual, A130	1	83-130TM
67400C	Technical Manual, A140	1	83-TOY140TM
67400D	Technical Manual, A240	1	83-TOY240TM
67401A	CD, Technical Manual, (MX17, Sprint, Suzuki) On CD Rom	1	

PART #	ELECTRICAL COMPONENTS	QTY.	REFERENCE #
67410A	Neutral Switch, A130/A140/A240 (9 Prong Connector) (Connector Is 1 1/4" Long & 1/2" Wide)	1	
67410AA	Neutral Switch, A130/A140/A240 (9 Prong Connector) (Connector Is 3/4" Long & 1/2" Wide)	1	
67415C	Sensor, A140 (Replaces Governor) Plastic Housing	1	
67415CA	Sensor, A140 (Replaces Governor) Aluminum Housing (2 Prong Round Connector)	1	
67415CB	Sensor, A140 (Replaces Governor) Aluminum Housing (2 Prong Oval Connector)	1	
67420CK	Solenoid, A140/A141E Shift (2 Solenoid & 2 Brackets) 1984-Up (Also Fits A240E/A241E/A244E 1987-99) (Rostra)	1	52-0230
67420DK	Solenoid Kit, A240E/A241E/A244E (2 Shift & 2 Lock-Up Solenoids) 1987-99 (Rostra)	1	52-9001
67420DAK	Solenoid Kit, A245E/A246E/A247E (2 Shift Solenoids & 1 Bracket) 1989-04 (Rostra)	1	
67420DBK	Solenoid Kit, A245E/A246E/A247E (2 Shift, 1 EPC & 1 Lock-Up Solenoids) 1989-04 (Rostra)	1	52-9004
67420DCK	Solenoid Kit, A245E/A246E/A247E (2 Shift, 1 EPC & 1 Lock-Up Solenoids With Brackets) 2002-04 (Rostra)	1	
67420DDK	Solenoid Kit, A245E/A246E/A247E (2 Shift, 1 EPC & 1 Lock-Up Solenoids With Brackets) 2004-Up (Rostra)	1	

# A130 thru A247

FWD 3 & 4 Speed

PART #	ELECTRICAL COMPONENTS (Continued)	QTY.	REFERENCE #
T67171DA.....	Reprogramming Kit, A245E (Hot Rod/Street Show Off) (Transgo) (Toyota Corolla 1993-02)		
.....	Geo Prizm 1993-01) (For Nitrous Or Turbo) .....	1 .....	
67421C.....	Solenoid, A140 1-2 Shift (With Bracket) .....	1 .....	85420-32020
67421D.....	Solenoid, A240E/A241E Shift (With Bracket) 1987-99.....	2 .....	52-0204
67422C.....	Solenoid, A140 2-3 Shift (With Bracket) .....	1 .....	85420-32040
67423D.....	Solenoid, A240 Underdrive (With Bracket).....	1 .....	
67425B.....	Solenoid, A140 Lock-Up (External With Wire Harness) 1 Prong Round Connector .....	1 .....	
67425BA.....	Solenoid, A140 Lock-Up (External With Wire Harness) 2 Prong Triangle Connector .....	1 .....	
67425BB.....	Solenoid, A140 Lock-Up (External With Connector Made On The Solenoid) 1 Prong.....	1 .....	
67425D.....	Solenoid, A240 Lock-Up (With Bracket) .....	1 .....	
67425DA.....	Solenoid, A245E/A246E Lock-Up (With Bracket).....	1 .....	
67431D.....	Solenoid, A245E/A246E SLT (EPC)(3 7/8" Long)(2 Blade) 2002-03 .....	1 .....	
67431DA.....	Solenoid, A245E/A246E/A247E SLT (EPC) (3 7/8" Long)(2 Pins) 2004-Up .....	1 .....	
67431DC.....	Solenoid, A245E (#3) (EPC) (1 3/8" Long)(1 Blade)(With 2 Bolt Bracket) 2001-Up .....	1 .....	
67436C.....	Sensor, A140 VSS (3 Prong Connector, With Driven Speed-O Gear)(5 7/16" Overall Length)		
.....	(.865"OD Where Housing Goes Into The Case) .....	1 .....	
67436D.....	Sensor, A240 VSS (3 Prong Connector, With Driven Speed-O Gear)(5" Overall Length)		
.....	(.865"OD Where Housing Goes Into The Case) .....	1 .....	
67446CA.....	Wire Harness, A140 (Internal With 2 Prong Connector) .....	1 .....	
67446CE.....	Wire Harness, A140 (Internal With 5 Prong Connector) .....	1 .....	

PART #	HARD PARTS	QTY.	REFERENCE #
67500A.....	Pump Complete, A240 1985-Up (67510A & 67520A).....	1 .....	
67500B.....	Pump Complete, A130/A140 (Toyota Built) 11/1984-Up (67510BB & 67520BA).....	1 .....	
67500BA.....	Pump Complete, A130/A140 (Aisin Warner Built) 4/1984-Up (67510BA & 67520A) .....	1 .....	
67500C.....	Pump Complete, A140 (Toyota Built) 1/1983-4/1983 (67510C & 67520C).....	1 .....	
67510A.....	Pump Body W/Gears, A240 (With 6 Bolts To Case) 1985-Up.....	1 .....	
67510BA.....	Pump Body W/Gears, A130/A140 (Aisin Warner Built) 1984-Up (7 Bolts To Case).....	1 .....	
67510BB.....	Pump Body W/Gears, A130/A140 (Toyota Built) 11/1984-Up (7 Bolts To Case).....	1 .....	
67510C.....	Pump Body W/Gears, A140 (7 Bolts To Case) 1/1983-4/1983 (Fits 67520C Stator).....	1 .....	

PART #	PUMP COMPONENTS	QTY.	REFERENCE #
67520A.....	Stator, A130/A140/A240 Flat Pads (1.850"OD Of Direct Drum Bushing Support) With Bushing		
.....	Inside Rear 4/1983-Up (With Short Vent Channel) .....	1 .....	35370-32022
87520A.....	Stator, Some A240 (Late With Bearing Inside).....	1 .....	
67520BA.....	Stator, A130/A140 Stepped Pads (Toyota Built) 11/1984-Up .....	1 .....	35370-32031
67520C.....	Stator, A140 Flat Pads (With Long Vent Channel) 1/1983-4/1983 .....	1 .....	35370-32010
67529A.....	Shaft, A130/A140/A240 Stator Shaft Tube.....	1 .....	90374-22002

PART #	HARD PARTS (Continued)	QTY.	REFERENCE #
67545C.....	Housing, A140 Overdrive Brake Piston.....	1 .....	
67550D.....	Drum, A240 Underdrive Clutch .....	1 .....	
67551C.....	Drum, A140 Overdrive Direct (8 Teeth On Pressure Plate) 1983-7/1986 .....	1 .....	34601-32011
67551CA.....	Drum, A140 Overdrive Direct (24 Teeth On Pressure Plate) 8/1986-Up .....	1 .....	
67554A.....	Drum, A130/A140/A240 Forward With Shaft (3 Clutch) 2/1984-Up .....	1 .....	35701-32021
67554B.....	Drum, A130/A140/A240 Forward With Shaft (3 Clutch) 1/1983-1/1984.....	1 .....	35701-32010
67554C.....	Drum, A140/A240 Forward With Shaft (4 Clutch) 5/1984-Up (With 2 Rings On Shaft).....	1 .....	35701-32031
67554CA.....	Drum, A140/A240 Forward With Shaft (4 Clutch) With 3 Rings On Shaft.....	1 .....	
67555BA.....	Drum, A130 Direct (2 Clutch) 1 7/8"ID Bushing 8/1983-1/1984 .....	1 .....	35605-32020
67555BB.....	Drum, A130/A240 Direct (2 Clutch) 1 7/8"ID Bushing 1/1984-Up .....	1 .....	35605-20020
67555C.....	Drum, A140 Direct (2 Clutch) 1 7/8"ID Bushing 1/1983-1/1984 .....	1 .....	35605-32010
67555CA.....	Drum, A140 Direct (3 Clutch) 1 7/8"ID Bushing 2/1984-Up (Piston Is .385" Thick) Uses		
.....	1" Wide Band .....	1 .....	35605-32030
67555CB.....	Drum, A140 Direct (3 Clutch) 1 7/8"ID Bushing 2/1984-Up (Piston Is .471" Thick) Uses		
.....	1" Wide Band .....	1 .....	
67560C.....	Piston Kit, A140 Overdrive Brake Clutch 1983-7/1986 .....	1 .....	
67560CA.....	Piston Kit, A140 Overdrive Brake Clutch 8/1986-Up.....	1 .....	
67560D.....	Piston Kit, A240 Underdrive Clutch .....	1 .....	
67561C.....	Piston Kit, A140 Overdrive Direct Clutch 1983-7/1986 .....	1 .....	
67561CA.....	Piston Kit, A140 Overdrive Direct Clutch (.860" Thick) 8/1986-Up.....	1 .....	
67561CB.....	Piston Kit, A140 Overdrive Direct Clutch (.780" Thick) 8/1986-Up.....	1 .....	
67561D.....	Piston Kit, A240 Underdrive Brake Clutch .....	1 .....	
67562B.....	Piston Kit, A130/A140 2nd Brake Clutch (12 Springs) .....	1 .....	
67564A.....	Piston Kit, A130/A140/A240 Forward Clutch (3 Clutch) 2/1984-Up .....	1 .....	
67564B.....	Piston Kit, A130/A140 Forward Clutch (3 Clutch) 1/1983-1/1984 .....	1 .....	



67564BA.....	Piston Kit, A140/A240 Forward Clutch (4 Clutch) 8/1984-Up.....	1	
67565B.....	Piston Kit, A130/A140 Direct Clutch (2 Clutch) 2.250"ID (.385" Thick Piston) .....	1	
67565C.....	Piston, A140 Direct Clutch (2 Clutch) 2.250"ID (.471" Thick Piston).....	1	
67565CA.....	Piston Kit, A140 Direct Clutch (3 Clutch).....	1	
67566B.....	Piston Kit, A130/A140/A240 Reverse Clutch .....	1	
67571C.....	Clutch Hub, A140 Overdrive Brake (Is Also The Pressure Plate For The Overdrive ..... Direct Clutch (8 Teeth) 1983-7/1986 .....	1	34624-32010
67580C.....	Planet, A140 Overdrive With Shaft 1983-7/1986 .....	1	34710-32040
67580CA.....	Planet, A140 Overdrive With Shaft 8/1986-Up.....	1	
67580C-6.....	Pin Plugs, A140 (Overdrive Planet Pinion Gear Pins).....	1	90334-03001
67582A.....	Planet, A130/A140/A240 Front .....	1	
67584A.....	Planet, A130/A140/A240 Rear (1.790" Overall Height).....	1	
67586D.....	Planet, A240 Underdrive .....	1	
67590C.....	Ring Gear, A140 Overdrive .....	1	
67592A.....	Ring Gear, A130/A140/A240 Front (1.550" Tall).....	1	35743-32040
67592AA.....	Ring Gear, A130/A140/A240 Front (1.437" Tall).....	1	35743-32010
67594.....	Ring Gear, A130/A140/A240 Rear (1.100" Tall) .....	1	
67596D.....	Ring Gear, A240 Underdrive Input .....	1	
67602A.....	Hub, A130/A140/A240 Front Planet Ring Gear.....	1	
67604A.....	Hub, A130/A140/A240 Rear Planet.....	1	
67612B.....	Sun Gear, A130/A140/A240 (2 3/4" Long) 27 Teeth (1.465"OD Sprag Race) .....	1	35706-32012
67616D.....	Sun Gear, A240 Underdrive .....	1	
67622A.....	Shell, A130/A140/A240 Input Sun (39 Inner Teeth) .....	1	35790-32050

PART #	SPRAGS & ONE WAY CLUTCHES	QTY.	REFERENCE #
67640D.....	Sprag Assembly, A240 Underdrive .....	1	
67642B.....	Sprag Assembly, A130/A140/A240 One Way Clutch (1.465"ID) The 1.465"ID Is The ..... OD Of The Sun Gear #67612B .....	1	35790-32050
97650.....	Sprag, A140 Overdrive (24 Lugs)(.450" Wide) 1985-Up .....	1	
57650C.....	Sprag, A130/A140/A240 One Way Clutch.....	1	
67650D.....	Sprag, A240 Underdrive Sprag .....	1	
67654A.....	Sprag, A130/A140/A240 #2 Sprag (20 Elements) (4.810"OD).....	1	
67660D.....	Inner Race, A240 Support (Underdrive Drum).....	1	
67661C.....	Outer Race, A140 Overdrive Sprag .....	1	34713-32010
67665A.....	Outer Race, A130/A140/A240 #2 Sprag (4.820"ID).....	1	35795-32010

PART #	HARD PARTS (Continued)	QTY.	REFERENCE #
67676D.....	Shaft, A240 Underdrive Input (Countershaft).....	1	35480-32022
67680B.....	Governor, A130/A140 (Gear Type).....	1	
67680D.....	Governor, A240 (Gear Type) Without Gear.....	1	
67680DA.....	Reluctor, A245E (Replaces Governor).....	1	
67681BA.....	Reluctor, A130/A140 (Replaces Governor Drive Gear).....	1	
67683B.....	Gear, A130/A140 Governor Drive .....	1	
67684D.....	Gear, A240 Driven (For Governor) .....	1	
67685B.....	Support Sleeve, A130 Governor (Aluminum) .....	1	
67685D.....	Support Sleeve, A240 Governor .....	1	
67686B.....	Cover, A130/A140 Governor (For Gear Type Governor).....	1	
67686D.....	Cover, A240 Governor.....	1	
67687B.....	Retainer, A130/A140 Governor Cover.....	1	
67689B.....	Adapter, A130 Governor Body Adapter (Aluminum).....	1	
67694C.....	Retainer, A140 Plate (Overdrive Sprag)(44 Teeth)(.039" Thick)(3.647"OD)(2.626"ID) .....	1	34727-32010
67696B.....	Crush Sleeve, A130/A140 (For Pinion) 1" Long .....	1	41231-32010
67696D.....	Crush Sleeve, A240 (1/2" Long).....	1	41231-12030
67699B.....	Oil Slinger, A130/A140 .....	1	
67710B.....	Gear, A130 Output With Intermediate Shaft (55 Teeth) No Groove .....	1	
67710BA.....	Gear, A130 Output With Intermediate Shaft (55 Teeth) 1 Groove.....	1	
67710C.....	Gear, A140 Counter Drive (37 Teeth).....	1	
67710CA.....	Gear, A140 Counter Drive (55 Teeth).....	1	
67710D.....	Gear, A240 Output With Intermediate Shaft (45 Teeth).....	1	
67710DA.....	Gear, A240 Output With Intermediate Shaft (56 Teeth) No Groove .....	1	
67710DB.....	Gear, A240 Output With Intermediate Shaft (56 Teeth) 1 Groove .....	1	
67710DE.....	Gear, A240 Output Without Intermediate Shaft (56 Teeth) With tapered Bearing.....	1	
67712B.....	Gear, A130/A140 Transfer Driven (35 Teeth) No Groove.....	1	
67712BA.....	Gear, A130/A140 Transfer Driven (35 Teeth) 1 Groove .....	1	
67712BB.....	Gear, A130/A140 Transfer Driven (52 Teeth) .....	1	
67712D.....	Gear, A240 Transfer Driven (50 Teeth) .....	1	

# A130 thru A247

FWD 3 & 4 Speed

PART #	HARD PARTS (Continued)	QTY.	REFERENCE #
67715B	Differential, A130/A140 (65 Teeth) 1 Groove	1	
67715BC	Differential, A130/A140 (67 Teeth) 3 Groove (8 1/2"OD Ring Gear)	1	
67715BD	Differential, A130/A140 (67 Teeth) 2 Groove	1	
67715BE	Differential, A130/A140 (67 Teeth) 3 Groove (7 1/2"OD Ring Gear)	1	
67715BG	Differential, A130/A140 (67 Teeth) 3 Groove (7 7/8"OD Ring Gear)	1	
67715BH	Differential, A130/A140 (67 Teeth) 3 Groove (8"OD Ring Gear)	1	
67715BJ	Differential, A130/A140 (68 Teeth) 1 Groove (20 Roller Bearing By Speed-O Side)		
	23 Roller Bearing Ring Gear Side	1	
67715BL	Differential, A130/A140 (68 Teeth) 1 Groove (24 Roller Bearing By Speed-O Side)		
	22 Roller Bearing Ring Gear Side	1	
67715BM	Differential, A130/A140 (69 Teeth) 5 Groove	1	
67715BN	Differential, A130/A140 (71 Teeth) 3 Groove (1 By Housing) Yellow Speed-O (22 Roller Bearing By Ring Gear)	1	
67715BP	Differential, A130/A140 (71 Teeth) 3 Groove (2 By Housing) Yellow Speed-O Gear	1	
67715BQ	Differential, A130/A140 (71 Teeth) 3 Groove (1 By Housing) Black Speed-O Gear (23 Roller Bearing By Ring Gear)	1	
67715BR	Differential, A130/A140 (71 Teeth) 3 Groove (1 By Housing) Black Speed-O Gear (22 Roller Bearing By Ring Gear)	1	
67715BS	Differential, A130/A140 (71 Teeth) 3 Groove (1 By Housing) Yellow Speed-O Gear (23 Roller Bearing By Ring Gear)	1	
67715BT	Differential, A130/A140 (71 Teeth) 3 Groove (2 By Housing) Yellow Speed-O Gear (22 Roller Bearing By Ring Gear)	1	
67715BU	Differential, A130/A140 (71 Teeth) 3 Groove (2 By Housing) Yellow Speed-O Gear (23 Roller Bearing By Ring Gear)	1	
67715BV	Differential, A130/A140 (71 Teeth) 3 Groove (2 By Housing) Black Speed-O Gear (23 Roller Bearing By Ring Gear)	1	
67715BW	Differential, A130/A140 (71 Teeth) 3 Groove (2 By Housing) Black Speed-O Gear (22 Roller Bearing By Ring Gear)	1	
67715BX	Differential, A130/A140 (71 Teeth) 4 Groove (23 Roller Bearing By Ring Gear) 1.732"ID Of Bearing	1	
67715BY	Differential, A130/A140 (71 Teeth) 4 Groove (22 Roller Bearing By Ring Gear) 1.575"ID Of Bearing	1	
67715BYG	Differential, A130/A140 (71 Teeth) 5 Groove (23 Roller Bearing By Ring Gear) Black Speed-O Gear	1	
67715BZ	Differential, A130/A140 (88 Teeth) No Groove	1	
67715D	Differential, A240 (79 Teeth) 1 Groove (20 Roller Bearing Both Sides) 1.485"ID Bearing On Differential Housing Side (1.638"ID Bearing On Ring Gear Side)	1	
67715DA	Differential, A240 (79 Teeth) 1 Groove (20 Roller Bearing Both Sides) 1.485"ID Of Both Bearings	1	
67715DC	Differential, A240 (80 Teeth) 4 Groove (35 Teeth Yellow Speed-O Gear)	1	
67715DE	Differential, A240 (77 Teeth) 2 Groove (35 Teeth Yellow Speed-O Gear)	1	
67715DG	Differential, A240 (77 Teeth) 5 Groove (35 Teeth Black Speed-O Gear)	1	
67715DH	Differential, A240 (77 Teeth) 5 Groove (35 Teeth Yellow Speed-O Gear)	1	
67715DJ	Differential, A240 (88 Teeth) No Groove (35 Teeth Black Speed-O Gear) 1.058"OD Of Axle Hole	1	
67715DL	Differential, A240 (88 Teeth) No Groove (35 Teeth Black Speed-O Gear) 1.095"OD Of Axle Hole	1	
67715DN	Differential, A240 (89 Teeth) 6 Grooves (27 Teeth Gray Speed-O Gear)	1	
67716B	Housing, A130 Differential (Less Ring Gear) Blue Speed-O Gear (20 Roller Bearing On Ring Gear Side) 21 Roller Bearing On Speed-O Side	1	
67716BA	Housing, A130 Differential (Less Ring Gear) Blue Speed-O Gear (27 Roller Bearings On Both Sides)	1	
67716BB	Housing, A130 Differential (Less Ring Gear) Blue Speed-O Gear (20 Roller Bearings On Both Sides)	1	
67716BC	Housing, A130 Differential (Less Ring Gear) Blue Speed-O Gear (21 Roller Bearings On Both Sides)	1	
67716BQ	Housing, A140 Differential (Less Ring gear) Black Speed-O Gear (23 Roller Bearing On Ring Gear Side) 24 Roller Bearing On Speed-O Side	1	
67725B	Retainer, A130 Differential Bearing	1	
67725C	Retainer, A140 Differential Bearing (2.705"OD)	1	
67725CA	Retainer, A140 Differential Bearing With Hole On Side	1	
67726B	Cap, A130 Differential Bearing Cup To Case With Bolts	1	
67726C	Cap, A140 Differential Bearing Cup To Case With Bolts	1	

TOYOTA

67730B	Pinion, A130/A140 (17 Teeth) 5 Groove	1	
67730BAK	Ring & Pinion, A140 (17 Teeth & 71 Teeth) 5 Groove Each	1	
67730BB	Pinion, A130/A140 (18 Teeth) No Groove	1	
67730BC	Pinion, A130/A140 (18 Teeth) 3 Groove	1	
67730BCK	Ring & Pinion, A130 (18 Teeth Pinion, 67 Teeth Ring Gear) 3 Groove Each	1	
67730BD	Pinion, A130/A140 (18 Teeth) 4 Groove (1 Next To Bearing)	1	
67730BDK	Ring & pinion, A140 (18 Teeth Pinion, 71 Teeth Ring Gear) 4 Grooves Each	1	
67730BE	Pinion, A130/A140 (18 Teeth) 4 Groove (3 Next To Bearing)	1	
67730BF	Pinion, A130/A140 (19 Teeth) 2 Groove	1	
67730BFK	Ring & Pinion, A130/A140 (19 Teeth Pinion, 67 Teeth Ring Gear) 2 Grooves Each (3.52 Ratio)	1	
	(Can Use 67730BGK)	1	
67730BG	Pinion, A130/A140 (19 Teeth) 1 Groove In Center	1	
67730BGK	Ring & Pinion, A130/A140 (19 Teeth Pinion, 65 Teeth Ring Gear) 1 Groove Each (3.42 Ratio)	1	
	(Can Use 67730BFK)	1	
67730BH	Pinion, A130/A140 (19 Teeth) 1 Groove At Edge	1	
67730BJ	Pinion, A130/A140 (19 Teeth) 3 Groove (1 Next To Bearing)	1	
67730BJK	Ring & Pinion, A140 (19 Teeth Pinion, 71 Teeth Ring Gear) 3 Grooves Each (3.74 Ratio)	1	
67730BK	Ring & Pinion, A130 (17 Teeth Pinion, 69 Teeth Ring Gear) 5 Grooves Each	1	
67730BL	Pinion, A130/A140 (19 Teeth) 3 Grooves (2 Next To Bearing)	1	
67730BM	Pinion, A130/A140 (20 Teeth) 1 Groove In Center	1	41211-32010
67730BMK	Ring & pinion, A140 (20 Teeth Pinion, 68 Teeth Ring Gear) 1 Groove In Center (3.40 Ratio)	1	
67730BN	Pinion, A130/A140 (20 Teeth) 2 Groove	1	
67730D	Pinion Gear, A240 (28 Teeth) 1 Groove (With Governor Drive Gear)	1	
67730DA	Pinion Gear, A240 (28 Teeth) 1 Groove (No Governor Drive Gear)	1	
67730DE	Pinion Gear, A240 (29 Teeth) 5 Groove	1	
67730DF	Pinion Gear, A240 (29 Teeth) No Groove (No Governor Drive Gear)	1	
67730DJ	Pinion Gear, A240 (27 Teeth) 4 Groove	1	
67735B	Retainer, A130/A140 Pinion (Aluminum With Seal) Can Use 67735BA	1	
67735BA	Retainer, A130/A140 Pinion (Steel Without Ring) Can Use 67735B	1	
67736B	Pinion Center, A130/A140 (Aluminum) 1 Bolt (1.020"OD)	1	
67740B	Valve Body, A130 Non Lock-Up (Has An Aluminum Rod In Lock-Up Valve Bore)	1	
67740BA	Valve Body, A130 Lock-Up (Has Valve & Spring In Lock-Up Valve Bore)	1	
67740C	Valve Body, A140 (No Solenoids)	1	
67740CA	Valve Body, A140 (With 2 Solenoids)	1	
67740D	Valve Body, A240 (With 2 Solenoids)	1	
67740DA	Valve Body, A240 (With 3 Solenoids)	1	
67740DB	Valve Body, A245E (With 3 Solenoids)	1	
67740DC	Valve Body, A240 (With 1 Solenoids)	1	

PART #	VALVE BODY COMPONENTS	QTY.	REFERENCE #
S67741BT-2	Sleeve, A130 TV Boost Valve (Sonnax)	1	
S67741CT-2	Sleeve, A140 TV Boost Valve (Large Ratio) (Sonnax)	1	

PART #	HARD PARTS (Continued)	QTY.	REFERENCE #
67750D	Bell Housing, A240 (Starter At 3:00) 18 Bolts To Case	1	
67750DA	Bell Housing, A240 (19 Bolts To Case) Cast # 9110	1	
67750DB	Bell Housing, A240 (Double Starter) 18 Bolts To Case (Cast # 9115)	1	
67750DC	Bell Housing, A240 (Starter At 1:00) 18 Bolts To Case (Cast # 9117)	1	
67750DD	Bell Housing, A240 (Starter At 11:00) 17 Bolts To Case (Cast # 9130)	1	
67750DG	Bell Housing, A245E (Starter At 2:00) 17 Bolts To Case (Cast # 9132)	1	
67750DH	Bell Housing, A240 (Starter At 11:00) 18 Bolts To Case (Cast # 9112)	1	
67750DJ	Bell Housing, A240 (Starter At 11:00) 19 Bolts To Case (Cast # 9114)	1	
67750DK	Bell Housing, A240 (Starter At 11:00) 19 Bolts To Case (AWD) (Cast # 9116)	1	
67758B	Differential Cover, A130 (Toyota)	1	
67758BA	Differential Cover, A130 (Nova)	1	
67758C	Differential Cover, A140 (Smooth) No Fins 1983-86	1	
67758CA	Differential Cover, A140 (With Fins) 1987-Up	1	

TOYOTA



# A130 thru A247

FWD 3 & 4 Speed

PART #	HARD PARTS (Continued)	QTY.	REFERENCE #
67759B	Rear Cover, A130 (11 Bolt) No Mount	1	
67759BA	Rear Cover, A130 (11 Bolt) With 3 Bolt Mount	1	
67759C	Rear Cover, A140 (Overdrive) 11 Bolt (No Mount) 1983-7/1986 (Part # 545 Bolts In The Cover)	1	34101-32021
67759CA	Rear Cover, A140 (Overdrive) 11 Bolt (With 2 Bolt Mount) 8/1986-Up	1	
67759CAK	Overdrive Assembly, A140 (11 Bolt Cover) With 2 Bolt Mount 8/1986-Up (Contains: #795 To #759)	1	
67759CB	Rear Cover, A140 (Overdrive) 12 Bolt (With 4 Bolt Mount) 8/1986-Up	1	
67759CBK	Overdrive Assembly, A140 (12 Bolt Cover) With 4 Bolt Mount 8/1986-Up (Contains: #795 To #759)	1	
67759CC	Rear Cover, A140 (Overdrive) 11 Bolt (No Mount) 8/1986-Up (Part # 545 Slides In The Cover)	1	
67759CCK	Overdrive Assembly, A140 (11 Bolt Cover) No Mount 8/1986-Up (Contains #795 To #759)	1	
67759CK	Overdrive Assembly, A140 (11 Bolt Cover) No Mount 1983-7/1986 (Contains: #795 To # 759)	1	
67759D	Rear Cover, A240 (13 Bolt Holes)	1	
67760B	Case, A130 (Starter At 3:00) 15 Round Holes Bell To Motor	1	
67760BA	Case, A130 (Starter At 3:00) 14 Round Holes Bell To Motor	1	
67760BB	Case, A130 (Starter At 11:00) 14 Round Holes Bell To Motor	1	
67760BC	Case, A130 (Double Starter) 14 Round Holes Bell To Motor	1	
67760BD	Case, A130 (Starter At 11:00) 12 Round Holes Bell To Motor	1	
67760BE	Case, A130 (Starter At 2:00) 13 Round Holes Bell To Motor	1	
67760C	Case, A140 (17 Round Holes Bell To Motor) 1983-8/1985	1	
67760CA	Case, A140 (18 Round Holes Bell To Motor) 9/1985-1986	1	
67760CB	Case, A140 (Closed Starter At 1:00) 17 Round Holes Bell To Motor 1987-Up	1	
67760CC	Case, A140 (Closed Starter At 1:00) 18 Round Holes Bell To Motor 1987-Up	1	
67760CD	Case, A140 (Open Starter At 1:00) 18 Round Holes Bell To Motor (11 Bolt Rear Cover) 1987-Up	1	
67760CE	Case, A140 (Open Starter At 1:00) 18 Round Holes Bell To Motor (12 Bolt Rear Cover) (Uses A Speed Sensor In Case) 1987-Up	1	
67760CF	Case, A140 (Open Starter At 1:00) 18 Round Holes Bell To Motor (12 Bolt Rear Cover) (No Speed Sensor In Case)	1	
67760D	Case, A240 (Without Cable Bracket) 18 Bolt Holes To Bell	1	
67760DA	Case, A240 (With 2 Bolt Cabel Bracket) 18 Bolts To Bell	1	
67760DB	Case, A240 (With 2 Bolt Cable Bracket) 19 Bolts To Bell	1	
67760DC	Case, A240 (Without Cable Bracket) 18 Bolts To Bell (Has 3 Threaded Mount Bosses On The Side Facing Linkage) (Cast # 9110)	1	
67760DG	Case, A245E (17 Bolts To Bell) (Cast # 9130)	1	
67760DH	Case, A240 AWD (19 Bolts To Bell) (Cast # 9113)	1	
67765B	Pan, A130/A140 Bottom	1	
67765D	Pan, A240 Bottom	1	
67765DB	Pan, A245E Bottom	1	
67774CK	Housing, A130/A140 Speed-O With Driven Gear (Cable Type)	1	
S67775	Bolt, A130/A140 Converter (9x1.25mm) (Sonnax)	1	
67777BK	Bolt Set, A130/A140/A240 Pump To Case	1	
67778AK	Bolt Set, A130/A140/A240 Stator To Pump Body	1	
67779BK	Bolt Set, A130/A140 Pan To Case	1	
67780BK	Bolt Set, A130 Rear Cover To Case	1	
67780CK	Bolt Set, A140 Overdrive Cover To Case	1	
67782CK	Bolt Set, A140 Valve Body To Case	1	
67784CK	Bolt Set, A140 Overdrive Brake Assembly To Cover 1983-7/1986	1	
67784CAK	Bolt Set, A140 Overdrive Brake Assembly To Cover 1986-Up	1	
67785CK	Bolt Set, A140 Holds Differential Cover To Case	1	
67790DK	Bolt Set, A240 Countershaft Support To Case	1	
67793CK	Bolt Set, A140 Differential Retainer To Case (Rear)	1	
67795C	Nut, A140 Holds Counter Drive Gear To Overdrive Planet	1	90179-40002
67795D	Nut, A240 Holds Pinion To Countershaft	1	
67796B	Nut, A130/A140 Holds Driven Transfer Gear To Pinion	1	
67796D	Nut, A240 Holds Driven Gear To Countershaft	1	
67838B	Axle Flange, A130/A140 Short Shaft (6 Studs)	1	
67847BA	Gear, A130/A140 Drive Speed-O (Yellow) (25 Teeth)	1	33481-32010
67847BB	Gear, A130/A140 Drive Speed-O (Black) (27 Teeth)	1	33481-32020
67858B	Torsion Spring, A130 (For Governor Sleeve)	1	
67861C	Snap Ring, A140 Overdrive Brake Pressure Plate	1	
67861D	Snap Ring, A240 Holds Top Pressure Plate In Underdrive Drum	1	
67862D	Snap Ring, A240 Holds Retainer In Underdrive Drum	1	
67863C	Snap Ring, A140 Holds Overdrive Direct Pressure Plate In (.064")	1	
67864C	Snap Ring, A140 Overdrive Direct Drum (Top)	1	
67864D	Snap Ring, A240 Holds Top Pressure Plate Underdrive Drum	1	

TOYOTA

67865C	..... Snap Ring, A140 Holds Retainer In Overdrive Direct Drum.....	1	
67867C	..... Snap Ring, A140 Holds Retaining Plate In Overdrive Planet.....	1	
67867D	..... Snap Ring, A240 Holds Underdrive Planet To Pinion .....	1	
67868D	..... Snap Ring, A240 Holds Ring Gear On Countershaft .....	1	
67873B	..... Snap Ring, A130/A140/A240 Holds 2nd Brake Pressure Plate .....	2	
67876A	..... Snap Ring, A130/A140/A240 Forward Drum (Top) .....	1	
67877A	..... Snap Ring, A130/A140/A240 Holds Forward Retainer In .....	1	
67878A	..... Snap Ring, A130/A140/A240 Direct Drum (Top) (5 5/16"OD) .....	1	
67882A	..... Snap Ring, A130/A140/A240 Front Planet Hub To Ring Gear .....	1	
67883B	..... Snap Ring, A130/A140 Holds 2nd Brake Drum In Case .....	1	
67884A	..... Snap Ring, A130/A140/A240 Sun Gear To Bowl (Rear) 1.760"OD.....	1	
67886A	..... Snap Ring, A130/A140/A240 Shell To Sun Gear (Front) .....	1	
67888A	..... Snap Ring, A130/A140/A240 Holds Sprag In Outer Race (5.110"OD) .....	2	
67889A	..... Snap Ring, A130/A140/A240 Holds Hub In Rear Ring Gear .....	1	
67892A	..... Snap Ring, A130/A140/A240 Holds Reverse Top Pressure Plate .....	1	
67893A	..... Snap Ring, A130/A140/A240 Holds Reverse Retainer In .....	1	
67894C	..... Snap Ring, A140 Holds Intermediate Shaft Bearing In Case.....	1	
67895B	..... Snap Ring, A130/A140 Holds Pinion Retainer In Case.....	1	
67896B	..... Snap Ring, A130/A140/A240 Holds Servo Cover In .....	1	
67898C	..... Snap Ring, A140 Holds Overdrive Ring Gear In Drive Gear.....	1	
67905B	..... Servo Assembly, A130/A140/A240.....	1	
67906B	..... Spring, A130/A140/A240 Servo .....	1	
67907B	..... Piston, A130/A140/A240 Servo .....	1	
67909B	..... Cover, A130/A140/A240 Servo .....	1	
67925B	..... Accumulator Assembly, A130 .....	1	
67925C	..... Accumulator Assembly, A140 .....	1	
67925D	..... Accumulator Assembly, A240 .....	1	
67950D	..... Accumulator Assembly, A240 B-4 With Oil Gallery Cover.....	1	
67956B	..... Housing, A130/A140/A240 2nd Brake Piston.....	1	
67960C	..... Piston, A140 Overdrive Clutch 1983-Up .....	1	34602-32010
67961C	..... Piston, A140 Overdrive Direct Clutch 1983-7/1986.....	1	
67961CA	..... Piston, A140 Overdrive Direct Clutch (.860" Thick) 8/1986-Up.....	1	
67961CB	..... Piston, A140 Overdrive Direct Clutch (.780" Thick) 8/1986-Up.....	1	
67962B	..... Piston, A130/A140/A240 2nd Brake .....	1	
67964A	..... Piston, A130/A140/A240 Forward Clutch.....	1	
67965B	..... Piston, A130/A140/A240 Direct Clutch (2.250"ID) (.385" Thick) .....	1	
67965C	..... Piston, A140 Direct Clutch (2.250"ID) (.471" Thick) .....	1	
67965CA	..... Piston, A140 Direct Clutch (For 3 Clutch Drum).....	1	
67966A	..... Piston, A130/A140/A240 Reverse Clutch.....	1	
67970C	..... Spring, A140 Overdrive Brake Clutch Return (Also Fits A130/A140/A240 Direct Clutch ..... Return) .....	18-36	90501-11023
67970D	..... Spring, A240 Underdrive Brake Clutch Return.....	1	
67971C	..... Spring, A140 Overdrive Direct Clutch Return.....	1	
67971D	..... Spring, A240 Underdrive Clutch Return .....	1	34360-12010
67972B	..... Retainer W/Spring, A130/A140/A240 2nd Brake .....	1	
67974A	..... Spring, A130/A140/A240 Forward Clutch Return.....	1	
67975A	..... Spring, A130/A140/A240 Direct Clutch Return 1983-Up (Use 67970C) .....	18	
67976A	..... Retainer W/Spring, A130/A140/A240 Reverse Clutch Return .....	1	
67980C	..... Retainer, A140 Overdrive Clutch Return Spring.....	1	34613-30010
67984A	..... Retainer, A130/A140/A240 Forward Clutch Spring.....	1	
67991B	..... Linkage Assembly, A130 (Internal).....	1	
67991C	..... Linkage Assembly, A140 (Internal) .....	1	
67991D	..... Linkage Assembly, A240 (Internal) .....	1	
67991S	..... Sleeve, A130/A140 Holds Pin On Linkage Shaft .....	1	
67992C	..... Shift Lever, A140 (External) .....	1	
67995B	..... Park Pawl Assembly, A130.....	1	
67995C	..... Park Pawl Assembly, A140.....	1	
67996B	..... Cooler Line Fitting, A130/A140 (Straight).....	1	
67996BA	..... Cooler Line Fitting, A130/A140 (90 Degree Elbow) .....	1	
67996BB	..... Cooler Line Fitting, A130/A140 (55 Degree Elbow) .....	1	
67999B	..... Tube Assembly, A130 For Valve Body .....	1	
67999C	..... Tube Assembly, A140 For Valve Body .....	1	