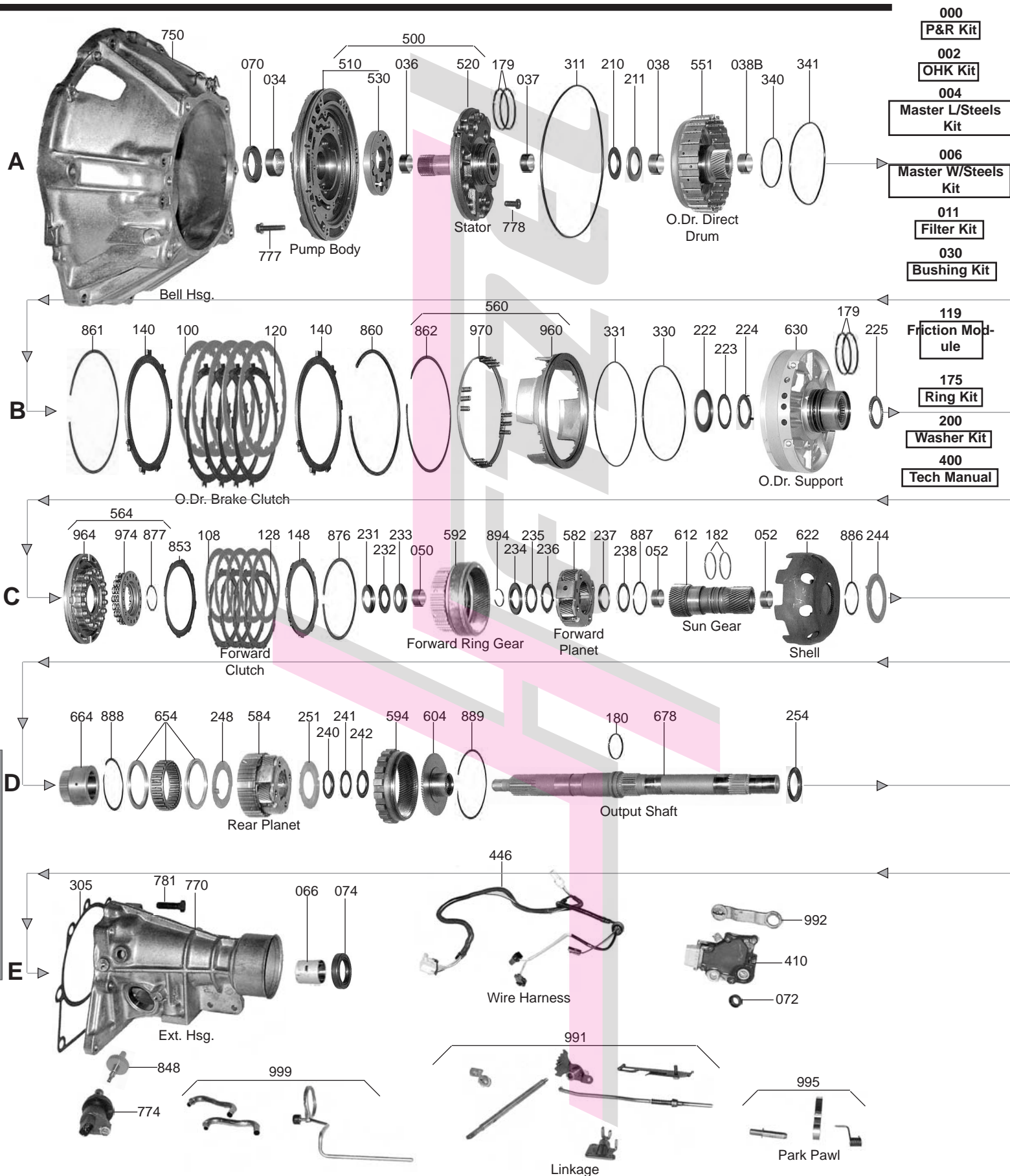


A340 / A341 / A343

RWD 4 Speed



000
P&R Kit

002
OHK Kit

004
Master L/Steels
Kit

006
Master W/Steels
Kit

011
Filter Kit

030
Bushing Kit

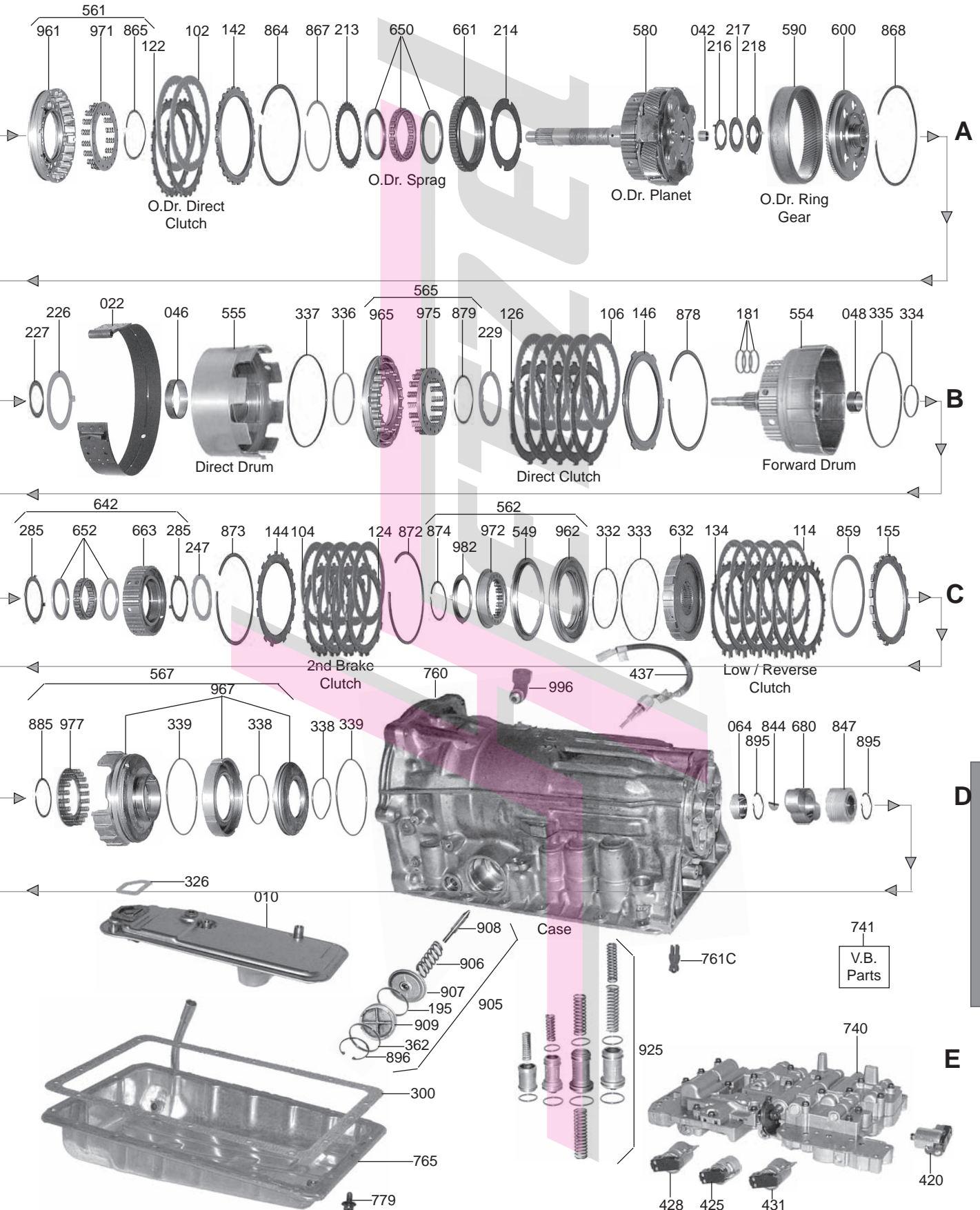
119
Friction Mod-
ule

175
Ring Kit

200
Washer Kit

400
Tech Manual

TOYOTA



TOYOTA

A340 / A341 / A343

RWD 4 Speed

PART #	PAPER & RUBBER KIT	QTY.	REFERENCE #
97000	Paper & Rubber Kit, A340E/A340H 1985-Up (A340E Supra 1989-8/1998, Lexus GS300 1/1993-5/1993,)	1	
97000C	Paper & Rubber Kit, A340E/A341E/A350E (Lexus SC300 8/1991-7/2000; GS300 1/1993-97; SC400 4/1991-9/1997; LS400 5/1989-7/1997) (Toyota 4-Runner 8/2000-2002; Tacoma 8/2000-2002; Supra 1989-8/1998) (Volvo 940 & 960 1991-1997; S-90 1998-2000).....	1	
97000E	Paper & Rubber Kit, A340/A340E/A340F/A340H (Cressida 1987-92, Supra 1986-88, Truck 1985-94, 4-Runner 1985-7/2000, T-100 1993-8/1998, Tacoma 1995-7/2000, Land Cruiser With A343F 1995-98).....	1	
97000EA	Paper & Rubber Kit, A340E/A340F (Land Cruiser 1999-02, Tundra 2/1999-2002, Sequoia 9/2000-2002).....	1	

PART #	OVERHAUL KITS	QTY.	REFERENCE #
97002	Overhaul Kit, A340E/A340F/A340H/A341E/A343F (Toyota/Jeep/Lexus/Volvo) 1985-99 (For Jeep 4x4 Sell 97074B Also).....	1	
97002B	Overhaul Kit, A340E/A340F/A340H/A341E/A343F (Toyota/Jeep/Lexus/Volvo) 2000-Up (For Jeep 4x4 Sell 97074B Also).....	1	
97002C	Overhaul Kit, A340E/A341E/A350E (Lexus SC300 8/1991-7/2000; GS300 1/1993-97; SC400 4/1991-9/1997; LS400 5/1989-7/1997) (Toyota 4-Runner 8/2000-2002; Tacoma 8/2000-2002; Supra 1989-8/1998) (Volvo 940 & 960 1991-1997; S-90 1998-2000).....	1	
97002E	Overhaul Kit, A340/A340E/A340F/A340H (Cressida 1987-92, Supra 1986-88, Truck 1985-94, 4-Runner 1985-7/2000, T-100 1993-8/1998, Tacoma 1995-7/2000, Land Cruiser With A343F 1995-98).....	1	
97002EA	Overhaul Kit, A340E/A340F (Land Cruiser 1999-02, Tundra 2/1999-04, Sequoia 9/2000-02) (When Out Use 97002B).....	1	

PART #	MASTER L/STEEL KIT	QTY.	REFERENCE #
97004	Master L/Steels Kit, A340E/A340F/A340H/A341E/A343F (Toyota/Lexus/Volvo) 1985-99.....	1	
97004A	Master L/Steels Kit, A340E/A340H (AW4 Jeep) 1987-99.....	1	
97004AA	Master L/Steels Kit, A340E/A340H (AW4 Jeep) 2000-Up.....	1	
97004C	Master L/Steels Kit, A340E/A341E (Lexus GS300 1/1993-5/1993, SC400 4/1991-9/1997, LS400 5/1989-9/1997) (All Volvo With 2.9L 91-05).....	1	
97004D	Master L/Steels Kit, A340E/A340H (Toyota Truck 1989-94, 4-Runner 1989-95, T-100 All 1993-94 & T-100 4 Cylinder 1995-96 & 4WD).....	1	
97004E	Master L/Steels Kit, A340E/A340F/A340H/A341E/A343F (Toyota/Lexus/Volvo) 2000-Up.....	1	
97004EA	Master L/Steels Kit, A340E/A340F (Land Cruiser 1999-02, Tundra 2/1999-2004, Sequoia 9/2000-2003, Lexus 1999-02).....	1	
97004EB	Master L/Steels Kit, A340E/A340F (4 Runner 8/2000-02)(Tacoma 8/2000-03).....	1	
97004R	Master L/Steels Kit, A340E/A340H (Montero R/V4AW3) 1994-00.....	1	

PART #	MASTER W/STEEL KIT	QTY.	REFERENCE #
97006	Master W/Steels Kit, A340E/A340H (Toyota) 1985-Up.....	1	
97006A	Master W/Steels Kit, A340E/A340H (AW4 Jeep) 1987-Up.....	1	
97006AA	Master W/Steels Kit, A340E/A340H (AW4 Jeep) 2000-Up.....	1	
97006C	Master W/Steels Kit, A340E/A341E (Lexus SC400 4/1991-9/1997, GS300 1/1993-5/1993, LS400 5/1989-7/1997) (All Volvo With 2.9L 1991-05).....	1	
97006D	Master W/Steels Kit, A340E/A340H (Toyota T100 Truck) 1992-Up.....	1	
97006E	Master W/Steels Kit, A340E/A340F (4 Runner 1996-7/2000, Tacoma 1995-7/2000).....	1	
97006EA	Master W/Steels Kit, A340E/A340F (Land Cruiser 1999-02, Tundra 2/1999-2004, Sequoia 9/2000-2003, Lexus 1999-02).....	1	
97006EB	Master W/Steels Kit, A340E/A340F (4 Runner 8/2000-02)(Tacoma 8/2000-03).....	1	
97006R	Master W/Steels Kit, A340E/A340H (Montero R/V4AW3) 1994-00.....	1	

PART #	FILTER	QTY.	REFERENCE #
97010	Filter, A340E 2WD (3 Bolt) Rectangle Pick-Up Hole.....	1	35330-30011
97010A	Filter, A340F/A340H 4x4 (11 Bolts) 1985-Up.....	1	35303-35010
97010B	Filter, A340E (Jeep) 4x4 (4 Bolt Rectangle Pick-Up).....	1	83504032
97010C	Filter, A341E 2WD (3 Bolt) Oval Pick-Up Hole 1990-Up (Lexus LS400) (Toyota Supra W/Turbo) (Volvo 960/S-90/V-90 1993-00).....	1	
97010CA	Filter, A341E (3 Bolt)(Lexus GS300)(Toyota 4 Runner) 1993-03.....	1	
97010D	Filter, A340F 4x4 (4 Bolt) Oval Pick-Up On Corner (Oval Pick-Up Is 3/8" Tall) 1995-Up.....	1	25330-22010
97010DA	Filter, A340F 4x4 (4 Bolt) Oval Pick-Up Is 3" From Corner (4 Runner 1996-97) (Has 2 Cork Gaskets And Filter To Valve Body).....	1	
97010DB	Filter, A343F (4 Bolt) Oval Pick-Up On Corner (Oval Pick-Up Is 3/4" Tall) 1995-Up (Landcruiser & Tacoma).....	1	

97010DD Filter, A340F / A343F (4 Bolt) Oval Pick-Up Is 3" From Corner (Has 3 Cork Gaskets, Filter To Valve Boy) Oval Pick-p Is 7/8" Tal (Toyota 4x4, Landcruiser Tundra & Lexas With V-8) 1998-Up 1
 9710E Filter, A50E (Lexus 5 Speed)(3 Bolt) 1996-97 1 35330-60020



97015A Filter, A340 Solenoid (Goes In The Valve Body) 2000-Up 1
 97015B Filter, A340 Accumulator (Goes In The Valve Body) 2000-Up 1
 97015C Filter, A340 Regulator (Goes In The Valve Body) 2000-Up 1

PART #	FILTER KITS	QTY.	REFERENCE #
97011	Filter Kit, A340 (Toyota) 2WD 1985-Up	1	
97011A	Filter Kit, A340 (Toyota) 4x4 1985-Up	1	
97011B	Filter Kit, A340 4x4 (Jeep) 4 Bolt (Rectangle Pick-Up)	1	
97011C	Filter Kit, A341 (Lexus) 1991-92	1	
97011D	Filter Kit, A340F (T100) V6 1995-96	1	

PART #	BANDS	QTY.	REFERENCE #
97022	Band, A340/A341 1985-Up	1	35810-30020

PART #	BUSHINGS	QTY.	REFERENCE #
97030	Bushing Kit, A340 1985-Up	1	
57034A	Bushing, A340 Front Pump 1985-Up	1	
57036B	Bushing, A340 Stator (Front)(.848"ID)(.680"Wide)(Babbit)	1	
57036CB	Bushing, A340 Stator (Front)(.864"ID)(.680"Wide)	1	
97037	Bushing, A340 Stator Support (Rear) 1985-Up	1	
97038	Bushing, A340/A341 Overdrive Drum (Front & Rear)	2	
97042	Bushing, A340 Overdrive Planet (Rear)	1	
97046	Bushing, A340 Direct Drum	1	
97050	Bushing, A340 Front Planet Ring Gear 1985-Up	1	
97052	Bushing, A340 Forward Sun Gear (Front & Rear) 1985-Up	2	
97064	Bushing, A340 Case 1985-Up	1	
97066	Bushing, A340 Extension Housing (1.575"ID) (40mm) 1985-Up	1	
97066A	Bushing, A340 Extension Housing (1.378"ID) (35mm) 1985-Up	1	
97066AA	Bushing, A340 Extension Housing (1.496"ID) (38mm) 1984-Up	1	
97066B	Bushing, A340 Extension Housing (44mm)	1	
57066J	Bushing, A340 Extension Housing (1.507"ID)	1	

PART #	METAL CLAD SEALS	QTY.	REFERENCE #
57070A	Seal, A340 Extension Housing 2WD (40x58x11mm) Toyota 1985-Up	1	90311-38020
60072	Seal, A340 Manual Shaft	1	
97074	Seal, A340 Extension Housing 2WD (40x58x11mm) Toyota 1985-Up	1	90311-40001
97074A	Seal, A340 Extension Housing 2WD (38x58x11mm) Jeep 1985-Up	1	
97074B	Seal, A340 Extension Housing 4x4 (Adapter) (49x62x7mm) Jeep 1985-Up	1	83504055
97074C	Seal, A340 Extension Housing 2WD (45x55x11mm) Lexus/Volvo 1990-Up	1	
97078	Seal, A340 S Type Speed-O Driven Gear	1	90310-09001

PART #	FRICITION CLUTCH	QTY.	REFERENCE #
97100	Friction, A340 Overdrive Brake Clutch (.081") 24 Teeth (6.50"OD)(High Energy) 1985-Up	3-5	34633-50010
97100HP	Friction, A340 Overdrive Brake Clutch (.081") 24 Teeth (6.50"OD) Hi-Performance 1985-Up	3-5	
97102	Friction, A340 Overdrive Direct Clutch (.083") 32 Teeth 1985-Up	2	35633-30040
97104	Friction, A340 2nd Brake Clutch (.081") 32 Teeth 1985-Up	4-5	35667-50020
97104E	Friction, A340E/A340F 2nd Brake Clutch (.080")(32 Teeth)(Hi-Energy)(Waved) 2000-Up	4-5	
97104HP	Friction, A340 2nd Brake Clutch (.081") 32 Teeth (Hi-Performance) 1985-Up	4-5	
87106AC	Friction, A340 Direct Clutch (.083") 40 Teeth 1985-Up	4-5	35667-50030
97106B	Friction, A340 Direct Clutch (.079") 40 Teeth (5.20"OD)	5	
97106HP	Friction, A340 Direct Clutch (.069") 40 Teeth (Hi-Performance) 1985-Up	5	
97108	Friction, A340 Forward Clutch (.067") 40 Teeth 1985-Up	6	35633-30040
97108A	Friction, A340 Forward Clutch (.083") 40 Teeth 1985-Up	3-5	35677-30090
97108B	Friction, A340 Forward Clutch (.078") 40 Teeth (Lexus, Volvo) 1990-Up	6-7	35677-30150
97108E	Friction, A340 Forward Clutch (.080") 40 Teeth (Hi-Energy) 1995-Up	6-7	
97108EA	Friction, A340E/A340F Forward Clutch (.067")(40 Teeth)(Hi-Energy)(Waved) 2000-Up	6-7	
97114	Friction, A340 Low/Reverse Clutch (.067") 32 Teeth 1985-Up	6-7	35677-30110
97119	Friction Module, A340 (Fits 97004) 1985-99	1	
97119AA	Friction Module, A340E/A340F/A340H/A341E/A343F 1995-Up (Fits 97004AA)	1	
97119E	Friction Module, A340F (For 6 Cylinder) (Fits 97004E)	1	
97119EA	Friction Module, A340E/A340F 1999-Up	1	
97119S1	Friction Module, A340 (Stage 1) (Fits 97004) 1985-99	1	

PART #	STEEL CLUTCH	QTY.	REFERENCE #
97120	Steel, A340 Overdrive Brake Clutch (.079") 6 Teeth 1985-Up	3-4	34634-30020
97120C	Steel, A340 Overdrive Brake Clutch (Volvo & T100) (.079") 1992-Up	3-4	34634-30021
97122	Steel, A340 Overdrive Direct Clutch (.079") 24 Teeth 1985-Up	1-2	34616-30010
97122A	Steel, A340 Overdrive Direct Clutch (.118") 24 Teeth (4.145"ID) 1990-Up	AR	34616-50010
87122AC	Steel, A340 Direct Clutch (.091")(6 Teeth)(4.160"ID) 1985-Up	AR	
97122C	Steel, A340 Overdrive Direct Clutch (.098") 24 Teeth 1992-Up	1	3549181-0
97124	Steel, A340 2nd Brake Clutch (.071") 16 Teeth 1985-Up	1	35647-30030
97124A	Steel, A340 2nd Brake Clutch (.098") 16 Teeth 1985-Up	4	35647-30020
97124B	Steel, A340 2nd Brake Clutch (.157") 1985-Up	AR	35647-050
97126	Steel, A340 Direct Clutch (.091") 1985-Up (Use 87122AC)	1-4	35647-30011
87122AC	Steel, A340 Direct Clutch (.091") 1985-Up	1-4	35647-30011
97126A	Steel, A340 Direct Clutch (.118") 6 Teeth 1985-Up	3-4	35647-14010
97126B	Steel, A340 Direct Clutch (.087") 24 Teeth	AR	35647-30040
97126C	Steel, A340 Direct Clutch (.071") 6 Teeth 1993-Up	4	35634-30020
97126D	Steel, A340 Direct Clutch (.091") 24 Teeth 2000-Up	4	
97128	Steel, A340 Forward Clutch (.079") 8 Teeth 1985-Up	5	35634-30100
97128A	Steel, A340 Forward Clutch (.071") 8 Teeth 1985-Up (When Out Use 67122A)	6-7	35634-32010
67122A	Friction, A340 Forward Clutch # 128 (.071")(8 Teeth)(4.160"OD)	6-7	
97128C	Steel, A340 Forward Clutch (.091") 8 Teeth 1992-Up	5	35634-30110
97134	Steel, A340 Low/Reverse Clutch (.071") 14 Teeth 1985-Up	5-7	35648-30031

PART #	CLUTCH PRESSURE PLATES	QTY.	REFERENCE #
97140	Pressure Plate, A340 Overdrive Clutch (.122") (Top & Bottom) 1985-Up	1-2	
97140A	Pressure Plate, A340 Overdrive Clutch (.130) (Top & Bottom) 1985-Up	1-2	34625-30090
97140B	Pressure Plate, A340 Overdrive Clutch (.138") (Top & Bottom) 1985-Up	1-2	34625-30080
97140C	Pressure Plate, A340 Overdrive Clutch (.141") (Top & Bottom) 1985-Up	1-2	34625-30070
97140D	Pressure Plate, A340 Overdrive Clutch (.146") (Top & Bottom) 1985-Up	1-2	34625-30060
97140E	Pressure Plate, A340 Overdrive Clutch (.149") (Top & Bottom) 1985-Up	1-2	34625-30050
97140G	Pressure Plate, A340 Overdrive Clutch (.153") (Top & Bottom) 1985-Up	1-2	34625-30040
97140H	Pressure Plate, A340 Overdrive Clutch (.157") (Top & Bottom) 1985-Up	1-2	34625-30100
97142A	Pressure Plate, A340 Overdrive Direct Clutch (.134") 24 Teeth (Stepped) 1985-Up	1	
97144	Pressure Plate, A340 2nd Brake Clutch (.118") 16 Teeth	1	35676-30020
97146A	Pressure Plate, A340 Direct Clutch (6 Teeth) Stepped	1	
97146B	Pressure Plate, A340 Direct Clutch (24 Teeth) Stepped	1	
97148	Pressure Plate, A340 Forward Clutch (.133") 8 Teeth	1	35635-30040
97148A	Pressure Plate, A340 Forward Clutch (.141") 8 Teeth	1	
97148AA	Pressure Plate, A340 Forward Clutch (.149") 8 Teeth	1	
97148B	Pressure Plate, A340 Forward Clutch (.157") 8 Teeth	1	
97148C	Pressure Plate, A340 Forward Clutch (.165") 8 Teeth	1	
97155	Pressure Plate, A340 Low/Reverse Clutch (.157") 14 or 15 Teeth	1	
97155A	Pressure Plate, A340 Low/Reverse Clutch (.165") 14 or 15 Teeth	1	35676-50060
97155B	Pressure Plate, A340 Low/Reverse Clutch (.173") 14 or 15 Teeth	1	35676-50050
97155C	Pressure Plate, A340 Low/Reverse Clutch (.181") 14 or 15 Teeth	1	35676-50040
97155D	Pressure Plate, A340 Low/Reverse Clutch (.189") 14 or 15 Teeth	1	

97155EPressure Plate, A340 Low/Reverse Clutch (.197") 14 or 15 Teeth.....1

PART #	OIL SEALING RINGS	QTY.	REFERENCE #
97175.....	Ring Kit, A340 1985-Up.....	1	
97177.....	Ring, A340 Input Shaft (Metal) 1985-Up	3	35712-30020
97179.....	Ring, A340 Center Support (Metal) 1985-Up	2	35617-30020
97180.....	Ring, A340 Output Shaft (Metal) 1985-Up	1	35735-30021
57182AA.....	Ring, A340 Sun Gear (Metal) 1985-Up	2	35749-30010
97185.....	Ring, A340 Stator Support (Metal) 1985-Up	2	35617-30020
97195.....	Ring, 2nd Coast Servo Brake (Metal) 1985-Up.....	1	35865-30010
97195A	Ring, 2nd Coast Servo Brake (Metal) 1990-91	1	35617-32011

PART #	WASHERS & BEARINGS	QTY.	REFERENCE #
97200A	Washer Kit, A340 (6 Plastic) 1985-Up.....	1	
97210.....	Race, A340 Stator (.031") 1.857"OD (1.110"ID)	1	
97211.....	Bearing W/Race, A340 Stator (.130") 1.975"OD (1.136"ID).....	1	
97213.....	Washer, A340 Overdrive Sprag (Front) 44 Teeth (.040" Thick) 2.630"ID 1985-Up	1	
97214.....	Washer, A340 Overdrive Sprag (Rear) 44 Teeth (.060" Thick) 1985-Up (4 Lugs On ID)	1	
	4 Side Grooves	1	
97216.....	Race, A340 Overdrive Planet (4 Tab) 1.642"OD (Front)	1	
97217.....	Bearing, A340 Overdrive Planet To Ring Gear (1.845"OD) (Also Fits A340 Forward Drum To Hub)	1-2.....	
97218.....	Race, A340 Overdrive Planet (4 Tab) 1.878"OD (Rear).....	1	
97218AK.....	Race W/Bearing, A340 Overdrive Planet (4 Tab) 1.878"OD Race (1.600"OD Bearing)	1	
	Retro Fits The 97217 & 97218	1	
97222.....	Race, A340 Overdrive Hub To Aluminum Support (1.875"OD)	1	
97222A	Race, A340 Overdrive Hub To Aluminum Support (2.313"OD)	1	
97223.....	Bearing W/Race, A340 Overdrive Hub To Aluminum Support (1.875"OD) (Also Fits A340 Forward Planet To Ring Gear #235)(For A 4 Gear Planet).....	1-2.....	
97223A	Bearing W/Race, A340 Overdrive Hub To Aluminum Support (4 Tab Race)	1	
97224.....	Race, A340 Overdrive Hub To Aluminum Support (4 Tab) 1.875"OD (Also Fits A340 Forward Planet To Ring Gear #236) (For A 4 Gear Planet).....	1-2.....	
97225.....	Race, A340 Forward Drum To Overdrive Support (2.00"OD).....	1	
97226.....	Washer, A340 Direct Drum To Overdrive Support (Plastic) 1 Tab	1	
97227.....	Bearing W/Race, A340 Forward Drum To Support (1.878"OD)	1	
97229.....	Washer, A340 Forward Drum To Direct Drum (Plastic) 3 Tab (2 7/8"OD)	1	
97231.....	Race, A340 Forward Drum To Hub (Front) 1.920"OD	1	
97232.....	Bearing, A340 Forward Drum To Hub (1.845"OD) (Use 97217)	1	
97233.....	Race, A340 Forward Drum To Hub (Rear) 1.840"OD	1	
97234.....	Race, A340 Forward Planet To Ring Gear (Front) 2.110"OD	1	
97235.....	Bearing W/Race, A340 Forward Planet To Ring Gear (1.875"OD)(For A 4 Gear Planet) (Use 97223)	1	
97235A	Bearing W/Race, A340 Forward Planet To Ring Gear (2.545"OD)(For A 5 Gear Planet)	1	
97236.....	Race, A340 Forward Planet To Ring Gear (4 Tab)(1.875"OD)(For A 4 Gear Planet)(Use 97224) ..	1	
97236A	Race, A340 Forward Planet To Ring Gear (5 Tab)(2.495"OD)(For A 5 Gear Planet)	1	
97237.....	Race, A340 Forward Planet To Sun Gear (1.868"OD)	1	
97238.....	Bearing, A340 Forward Planet To Sun Gear (1.875"OD)	1	
97240.....	Washer, A340 Sun Gear To Rear Hub (Front) (1.140"ID)	1	
97241.....	Bearing, A340 Sun Gear To Rear Hub (1.760"OD) 1.183"ID (.079" Thick)	1	
97241A	Bearing W/Races, A340 Sun Gear To Hub (2.128"OD) 1.092"ID (.155" Thick)	1	
97241B	Bearing W/Race, A340 Sun Gear To Rear Hub (1.732"OD)(1.088"ID)(.108" Thick)	1	
97242.....	Race, A340 Sun Gear To Rear Hub (Rear) 1.090"ID	1	
97244.....	Washer, A340 Shell To #1 One Way Clutch (Plastic) 3 Tab (3 1/4"OD)	1	
97247.....	Washer, A340 One Way Clutch To 2nd Brake Support (Plastic) 4 Notches On OD (2 7/8"OD).....	1	
97248.....	Washer, A340 #2 One Way Clutch To Rear Planet (Plastic) 2 Inner Tabs (3 1/8"OD)	1	
97248A	Washer, A340 #2 One Way Clutch To Rear Planet (Plastic) 5 Inner Tabs (3 1/8"OD)	1	
97248B	Washer, A340 #2 One Way Clutch To Rear Planet (Plastic) With 2 Inner Tabs That Are Not Straight Across From Each Other	1	
97251.....	Washer, A340 Rear Planet To Rear Hub (Plastic) 2 Inner Tabs (3"OD)	1	
97251A	Washer, A340 Rear Planet To Rear Hub (Plastic) 5 Inner Tabs (3"OD)	1	
97254.....	Bearing W/Race, A340 Rear Hub To Case (2.264"OD)	1	

PART #	GASKETS & RUBBER COMPONENTS	QTY.	REFERENCE #
97300.....	Gasket, A340 Bottom Pan	1	
97305.....	Gasket, A340 Extension Housing 1985-02	1	
97311.....	O-Ring, A340 Pump To Case	1	90301-99033

A340 / A341 / A343

RWD 4 Speed

PART #	GASKETS & RUBBER COMPONENTS (Continued)	QTY.	REFERENCE #
97320A	Gasket, A340E/A340F (Jeep) Valve Body Plate To Case (Upper) 1985-99	1	35433-30064
97320AA	Gasket, A340E/A340F/A343F (Jeep) Valve Body To Case (Upper) 2000-Up	1	
97320EA	Gasket, A340E/A340F Valve Body (Upper) (Tundra 1998-00)	1	
97321A	Gasket, A340#/A340F (Jeep) Valve Body To Plate (Lower) 1985-99	1	
97321AA	Gasket, A340E/A340F/A343F (Jeep) Valve Body To Plate (Lower) 2000-Up	1	
97321EA	Gasket, A340E/A340F Valve Body (Lower) (Tundra 1998-00)	1	
97326	Gasket, A340E/A340H Filter (1 Piece)	1	35336-35010
97326A	Gasket, A340E/A340H Filter (2 Piece)	1	
97386A	Gasket Tube, A340 2nd Brake Clutch (Presses In Case)	1	35339-30070

PART #	TECHNICAL MANUALS	QTY.	REFERENCE #
97400	Technical Manual, A340 (30-80LE) (Isuzu)	1	ISUSY AW30-80LE
97400A	Technical Manual, A340 (Jeep AW-4)	1	

PART #	ELECTRICAL COMPONENTS	QTY.	REFERENCE #
97410	Neutral Switch, A340 (With 1 1/8" x 1/2" Connector)	1	
97410A	Neutral Switch, A340 (With 1 3/4" x 5/8" Connector)	1	
97410AA	Neutral Switch, A340 (With 1 3/8" x 7/8" Connector)	1	
97410B	Neutral Switch, A340 (With Wire Harness With 2 Round Connectors)	1	
97410BA	Neutral Switch, A340 (With Wire Harness With 1 Triangle Connector)	1	
97410BB	Neutral Switch, A340 (With Wire Harness With 1 Rectangle Connector)(With 7 Holes In Connector For Prongs To Plug Into)	1	
97410BC	Neutral Switch, A340 (With Wire Harness With 1 Rectangle Connector)(With 7 Prongs In The Connector)	1	
97420K	Solenoid Kit, A340 (2 Shift & 1 Lock-Up)	1	52-9002
97420AK	Solenoid Kit, A340E (EPC, 2 Shift & Lock-Up With Brackets) 1998-05	1	
97420BK	Solenoid Kit, A341E (2 Shift Solenoids With Bracket) 1990-02 (Rostra)	1	52-9021
97420BAK	Solenoid Kit, A341E/A343E (Lock-Up Control, Accumulator Control & 2 Shift Solenoids) 90-Up	1	
97420CK	Solenoid Kit, A340E/A340F/A340H (2 Solenoids & 2 Brackets) 1985-07	1	
67421D	Solenoid, A340E/A340F/A340H Shift (With Bracket) 1985-04	2	
97425	Solenoid, A340E/A340F/A340H Lock-Up (With Bracket) 1985-07 (Rostra)	1	52-0205
97425B	Solenoid, A341E/A343E Lock-Up Control (SL) 1990-Up	1	
97431A	Solenoid, A340 EPC (SLT) 1998-07	1	
97437A	Sensor, A340 Temperature (Screws Into Case Front) 8 1/2" Long Wire Harness, 2 Prong Connector	1	
97437B	Sensor, A340 Temperature (Screws Into Cooler Fitting)	1	
97437C	Sensor, A340 Temperature (Pushes Into Case) 11 1/2" Long Wire Harness) (2 Prong Connector)	1	
97446	Wire Harness, A340 Internal/External With 3 Internal Connector, 3 External Connectors (Main External Connector Is Rectangle With 7 Wires)	1	
97446B	Wire Harness, A340 Internal (4 Connectors With Case Connector) Case Connector Is Rectangle With 5 Prongs (With Bracket)	1	
97446C	Wire Harness, A340 Internal (3 Connectors With Case Connector) Case Connector Is Square With 3 Prongs	1	
97453B	Solenoid, A341E/A343E Accumulator Control (SLN) 1990-Up	1	

PART #	MISC. COMPONENTS	QTY.	REFERENCE #
97490A	Vent, A340 Case (Metal) 5 1/2" Long	1	
97490B	Vent, A340 Cse (Plastic On Each End With Rubber Hose In Between) 6" Long	1	
97495A	Filter Spacer, A340 (Aluminum) 1 1/4" Deep (Bolts To Valve Body With 4 Bolts, Then Filter Bolts To Spacer) For Deep Pan	1	

PART #	HARD PARTS	QTY.	REFERENCE #
97510A	Pump Body W/Gears, A340 With .370" Thick Gears	1	
97510B	Pump Body W/Gears, A340 With .420" Thick Gears	1	
97510C	Pump Body W/Gears, A340 With .460" Thick Gears	1	
97520A	Stator, A340 (3 3/8" From Flat Surface To End Of Shaft)	1	
97520B	Stator, A340 (3" From Flat Surface To End Of Shaft)	1	
97549	Apply Ring, A340 2nd Brake Clutch (.475" Thick) Aluminum 1985-Up	1	
97549A	Apply Ring, A340 2nd Brake Clutch (.312" Thick) Aluminum 1985-Up	1	
97551	Drum, A340 Overdrive (33 Teeth Sun Gear) (2 Clutch)	1	
97551A	Drum, A340 Overdrive (33 Teeth Sun Gear) (1 Clutch)	1	
97551AA	Drum, A340 Overdrive (33 Teeth Sun Gear) (2 Clutch) With 32 Teeth Excitor Ring	1	
97551AB	Drum, A340 Overdrive (33 Teeth Sun Gear) (2 Clutch) With 16 Teeth Excitor Ring	1	

97551B.....	Drum, A340 Overdrive (31 Teeth Sun Gear) (2 Clutch)	1
97551BA.....	Drum, A340 Overdrive (31 Teeth Sun Gear) (2 Clutch) With 16 Teeth Excitor Ring	1
97551BB.....	Drum, A340 Overdrive (31 Teeth Sun Gear) (2 Clutch) With 32 Teeth Excitor Ring	1
97554.....	Drum, A340 Forward Clutch (1 Check Ball) 1 1/16" From Piston To Top Of The Snap Ring Groove	1
97554A	Drum, A340 Forward Clutch (1 Check Ball) 1 1/4" From Piston To Top Of The Snap Ring Groove	1
97554B	Drum, A340 Forward Clutch (2 Check Ball) 1 1/4" From Piston To Top Of The Snap Ring Groove	1
97554C.....	Drum, A340 Forward Clutch (No Check Ball) 1 5/16" From Piston To Top Of The Snap Ring Groove	1
97555C.....	Drum, A340 Direct (6 Teeth Steels) 5"OD Piston (3/4" From Piston To Top Of The Snap Ring Groove).....	1
97555CA.....	Drum, A340 Direct (6 Teeth Steels) 4 5/8"OD Piston (3/4" From Piston To Top Of the Snap Ring Groove)	1
97555D.....	Drum, A340 Direct (6 Teeth Steels) 5"OD Piston (15/16" From Piston To Top Of the Snap Ring Groove).....	1
97555DA.....	Drum, A340 Direct (6 Teeth Steels) 4 5/8"OD Piston (15/16" From Piston To Top Of the Snap Ring Groove).....	1
97555E	Drum, A340 Direct (24 Teeth Steels) 5 Clutch (5"OD Piston)	1
97560.....	Piston Kit, A340 Overdrive Brake (6 1/4"OD) 1.843" Tall (Fits Support #630 With Cast # 8931)....	1
97560A.....	Piston Kit, A340 Overdrive Brake (6 1/4"OD) 1.755" Tall (Fits Support #630 With Cast # 8931)....	1
97560AA.....	Piston Kit, A340 Overdrive Brake (6 1/4"OD) 1.685" Tall (Fits Support # 630 With Cast # 8931)....	1
97560AB.....	Piston Kit, A340 Overdrive Brake (6 1/4"OD) 1.505" Tall (Fits Support #630 With Cast # 8931)....	1
97560AC.....	Piston Kit, A340 Overdrive Brake (6 1/4"OD) 1.585" Tall (Fits Support #630 With Cast # 8931)....	1
97560B.....	Piston Kit, A340 Overdrive Brake (6"OD) 1.847" Tall (Fits Support #630 With Cast # 8930).....	1
97560BA.....	Piston Kit, A340 Overdrive Brake (6"OD) 1.673" Tall (Fits Support #630 With Cast # 8930).....	1
97561.....	Piston Kit, A340 Overdrive Direct Clutch (4.965"OD) (.760" Thick) 1985-Up.....	1
97562.....	Piston Kit, A340 2nd Brake Clutch (Without Apply ring).....	1
97564.....	Piston Kit, A340 Forward Clutch (.493" Thick Piston)	1
97564B	Piston Kit, A340 Forward Clutch (.453" Thick Piston)	1
97565.....	Piston Kit, A340 Direct Clutch (4 5/8"OD Piston)	1
97565A.....	Piston Kit, A340 Direct Clutch (5"OD Piston)	1
97567.....	Piston Kit, A340 Low/Reverse Clutch (2.645" Tall Piston).....	1
97567A	Piston Kit, A340 Low/Reverse Clutch (2.750" Tall Piston).....	1
97567B	Piston Kit, A340 Low/Reverse Clutch (2.925" Tall Piston).....	1
97580A	Planet, A340 Overdrive With Shaft (33 Teeth Sun Gear) 26 Splines 1985-Up (8 1/8" Overall Length)	1
97580AA.....	Planet, A340 Overdrive With Shaft (33 Teeth Sun Gear) 20 Splines 1985-Up (8 1/8" Overall Length)	1
97580AAK	Planet Kit, A340 Overdrive With Shaft (33 Teeth Sun Gear) 26 Splines (8 1/8" Overall Length) With 97551AA 2 Clutch With 32 Teeth Excitor Ring (Contains: 551, 867, 213, 650, 661, 214, 580, 216, 217, 218, 590, 600, 868)	1
97580AAAK	Planet Kit, A340 Overdrive With Shaft (33 Teeth Sun Gear) 26 Splines (8 1/8" Overall Length) With 97551AB 2 Clutch With 16 Teeth Excitor Ring (Contains: 551, 867, 213, 650, 661, 214, 580, 216, 217, 218, 590, 600, 868)	1
97580AABK....	Planet Kit, A340 Overdrive With Shaft (33 Teeth Sun Gear) 26 Splines (8 1/8" Overall Length) With 97551 2 Clutch, No Excitor Ring (Contains: 551, 867, 213, 650, 661, 214, 580, 216, 217, 218, 590, 600, 868)	1
97580AAGK....	Planet Kit, A340 Overdrive With Shaft (33 Teeth Sun Gear) 20 Splines (8 1/8" Overall Length) With 97551 2 Clutch, No Excitor Ring (Contains: 551, 867, 213, 650, 661, 214, 580, 216, 217, 218, 590, 600, 868)(Race #222 Is 1.875"OD But Does Not Come In This Kit).....	1
97580AAGLK..	Planet Kit, A340 Overdrive W/Shaft (33 Teeth Sun Gear)(20 Splines)(8 1/8" Overall Length) (With 97551 2 Clutch, No Excitor Ring)(With # 551, 867, 213, 650, 661, 214, 580, 216, 217, 218, 590, 600, 868) (Race #222 Is 2.313"OD But Does Not Come In This Kit).....	1
97580AAHK....	Planet Kit, A340 Overdrive With Shaft (33 Teeth Sun Gear) 20 Splines (8 1/8" Overall Length) With 97551 2 Clutch With 16 Teeth Excitor Ring (With #551, 867, 213, 650, 661, 214, 580, 216, 217, 218, 590, 600, 868)(Race #222 Is 1.875"OD But Does Not Come In This Kit).....	1
97580AAHLK..	Planet Kit, A340 Overdrive W/Shaft (33 Teeth Sun Gear)(20 Splines)(8 1/8" Overall Length) (With 975512 2 Clutch With 16 Teeth Excitor Ring)(With # 551, 867, 213, 650, 661, 214, 580, 216, 217, 218, 590, 600, 868)(Race #222 Is 2.313"OD But Does Not Come In This Kit).....	1
97580AB.....	Planet, A340 Overdrive With Shaft (33 Teeth Sun Gear) 20 Splines 1985-Up (8 3/4" Overall Length)	1
97580ABAK....	Planet Kit, A340 Overdrive With Shaft (33 Teeth Sun Gear) 20 Splines (8 3/4" Overall Length) (With 97551AB 2 Clutch With 16 Teeth Excitor Ring)(With # 551, 867, 213, 650, 661, 214,580, 216, 217, 218, 590, 600, 868) (Race # 222 Is 1.875"OD But Does Not Come In This Kit) (Can Use 97580ABBK But Must Sell A 97222A Also)	1
97580ABK	Planet Kit, A340 Overdrive With Shaft (33 Teeth Sun Gear) 20 Splines (8 3/4" Overall Length) With 97551AA 2 Clutch With 32 Teeth Excitor Ring (Contains: 551, 867, 213, 650, 661, 214, 580, 216, 217, 218, 590, 600, 868)	1

A340 / A341 / A343

RWD 4 Speed

PART #	HARD PARTS (Continued)	QTY.	REFERENCE #
97580ABAK	Planet Kit, A340 Overdrive With Shaft (33 Teeth Sun Gear) 20 Splines (8 3/4" Overall Length)		
With 97551AB 2 Clutch With 16 Teeth Excitor Ring (Contains:551, 867, 213, 650, 661, 214, 580, 216, 217, 218, 590, 600, 868)(Race #222 Is 2.313"OD But Does Not Come With This Kit).....	1	
97580ABBK	Planet Kit, A340 Overdrive W/Shaft (33 Teeth Sun Gear)(20 Splines)(8 3/4" Overall Length)		
(With 97551AB 2 Clutch With 16 Teeth Excitor Ring)(With # 551, 867, 213, 650, 661, 214, 580, 216, 217, 218, 590, 600, 868)(Race #222 Is 2.313"OD But Does Not Come In This Kit).....	1	
97580B	Planet, A340 Overdrive With Shaft (31 Teeth Sun Gear) 26 Splines 1985-Up		
(8 1/8" Overall Length).....	1	
97580BA	Planet, A340 Overdrive With Shaft (31 Teeth Sun Gear) 20 Splines 1985-Up		
(8 1/8" Overall Length).....	1	
97580BAK	Planet Kit, A340 Overdrive With Shaft (31 Teeth Sun Gear) 20 Splines (8 1/8" Overall Length)		
With 97551BA 2 Clutch With 16 Teeth Excitor Ring (Contains: 551, 867, 213, 650, 661, 214, 580, 216, 217, 218, 590, 600, 868).....	1	
97580BAAK	Planet Kit, A340 Overdrive With Shaft (31 Teeth Sun Gear) 20 Splines (8 1/8" Overall Length)		
With 97551BB 2 Clutch With 32 Teeth Excitor Ring (Contains: 551, 867, 213, 650, 661, 214, 580, 216, 217, 218, 590, 600, 868).....	1	
97580BB	Planet, A340 Overdrive With Shaft (31 Teeth Sun Gear) 20 Splines 1985-Up		
(8 3/4" Overall Length).....	1	
97580BBK	Planet Kit, A340 Overdrive With Shaft (31 Teeth Sun Gear) 20 Splines (8 3/4" Overall Length)		
With 97551BA 2 Clutch With 16 Teeth Excitor Ring (Contains: 551, 867, 213, 650, 661, 214, 580, 216, 217, 218, 590, 600, 868).....	1	
97580BBAK	Planet Kit, A340 Overdrive With Shaft (31 Teeth Sun Gear) 20 Splines (8 3/4" Overall Length)		
With 97551BB 2 Clutch With 32 Teeth Excitor Ring (Contains: 551, 867, 213, 650, 661, 214, 580, 216, 217, 218, 590, 600, 868).....	1	
97582A	Planet, A340 Forward (4 Gear)		
	1	
97582B	Planet, A340 Forward (5 Gear) Will Not Retro Fit 4 Gear		
	1	
97584A	Planet, A340 Rear (4 Gear) (Uses A 33 Teeth Sun Gear That Is Made Onto The Forward Sun Gear Shaft # 97612A)		
	1	
97584AA	Planet, A340 Rear (4 Gear) (Uses A 42 Teeth Sun Gear That Slides Off Of The Forward Sun Gear Shaft # 97612AA)		
	1	
97584B	Planet, A340 Rear (5 Gear)		
	1	
97590A	Ring Gear, A340 Overdrive Planet (33 Teeth Sun Gear) (4 5/8"OD)		
	1	
97590B	Ring Gear, A340 Overdrive Planet (31 Teeth Sun Gear) (5 1/4"OD)		
	1	
97592A	Ring Gear, A340 With Hub Forward Planet (4.645"OD)		
	1	
97592B	Ring Gear, A340 With Hub Forward Planet (4.487"OD) (16/16"ID Bushing)		
(For A 4 Gear Planet).....	1	
97592BA	Ring Gear, A340 With Hub Forward Planet (4.487"OD) (1 5/8"ID Bushing)		
(For A 5 Gear Planet).....	1	
97594A	Ring Gear, A340 Rear Planet (18 Lug)		
	1	
97600	Hub, A340 Overdrive Ring Gear (4"OD) (#222 Is 1 7/8"OD)		
	1	
97600A	Hub, A340 Overdrive Ring Gear (4"OD) (#222 Is 2 5/16"OD)		
	1	
97600B	Hub, A340 Overdrive Ring Gear (4 13/16"OD)		
	1	
97604	Hub, A340 Rear Ring Gear (4.040"OD)		
	1	
97612A	Sun Gear, A340 Forward (42 Teeth Front Sun Gear & 33 Teeth Rear Sun Gear That Is Made Onto The Shaft)		
	1	
97612AA	Sun Gear, A340 Forward (42 Teeth Front Sun Gear & 42 Teeth Rear Sun Gear #97614AA That Slides Off Of This Shaft)		
	1	
97614AA	Sun Gear, A340 Rear (42 Teeth) Slides Off Of The Forward Sun Gear Shaft # 97612AA		
	1	
97622	Shell, A340 Input (8 Lug)		
	1	
97630	Support, A340 Overdrive (Aluminum) Cast # 8930		
	1	
97630A	Support, A340 Overdrive (Aluminum) Cast # 8931		
	1	
97632	Support, A340 2nd Brake Clutch (16 Lug) 1985-Up		
	1	

PART #	SPRAGS & ONE WAY CLUTCHES	QTY.	REFERENCE #
97642	One Way Clutch Assembly, A340 #1 One Way Clutch	1	
97650	Sprag, A340 Overdrive (24 Lugs)(.450" Wide) 1985-Up	1	
97652	One Way Clutch, A340 #1 One Way Clutch (Intermediate)	1	34601-30030
97654	One Way Clutch, A340 #2 One Way Clutch (Low)	1	35792-14020
97661	Outer Race, A340 Overdrive Sprag (44 Teeth) .530" Thick (2.830"ID) 1985-Up	1	
97664	Inner Race, A340 #2 One Way Clutch	1	

PART #	HARD PARTS (Continued)	QTY.	REFERENCE #
97678A	Output Shaft, A340 2WD (18 5/16") 23 Rear Splines	1	
97678AA	Output Shaft, A340 2WD (18 5/16") 21 Rear Splines	1	
97678AB	Output Shaft, A340 2WD (18 5/16") 26 Rear Splines	1	
97678AE	Output Shaft, A340 2WD (18 7/8") 27 Rear Splines	1	
97678B	Output Shaft, A340 4x4 (16 1/8") 23 Rear Splines (With .709"OD Pilot On Rear Of Shaft)	1	

97678BC.....	Output Shaft, A340 4x4 (16 1/4") 19 Rear Splines.....	1
97678BE.....	Output Shaft, A340 2WD (16 1/2") 23 Rear Splines (With .630"OD Pilot On Rear Of Shaft) Bolt On Yoke (1 1/2" From Front Of Shaft To 1st Snap Ring Groove).....	1
97678BF.....	Output Shaft, A340 2WD (16 1/2") 23 Rear Splines (With .630"OD Pilot On Rear Of Shaft) Bolt On Yoke (1 1/4" From Front Of Shaft To 1st Snap Ring Groove).....	1
97678C.....	Output Shaft, A340 4x4 (13 5/16") 27 Rear Splines.....	1
97678CA.....	Output Shaft, A340 4x4 (13 5/16") 23 Rear Splines.....	1
97678CB.....	Output Shaft, A340 4x4 (13 5/16") 21 Rear Splines.....	1
97678DA.....	Output Shaft, A340 4x4 (11 9/16") 23 Rear Splines.....	1
97678E.....	Output Shaft, A340 4x4 (12 5/16") 23 Rear Splines (1 1/8" From Rear End Of Shaft To Snap Ring Groove).....	1
97678EA.....	Output Shaft, A340 4x4 (12 7/16") 23 Rear Splines (1 11/16" From Rear End Of Shaft To Snap Ring Groove).....	1
97678F.....	Output Shaft, A340 2WD (14 1/8").....	1
97678FB.....	Output Shaft, A340 2WD (14 7/8") 23 Rear Splines (No Pilot On Rear Of Shaft) Bolt On Yoke.....	1
97678GA.....	Output Shaft, A340 2WD (15") Bolt On Yoke.....	1
97680.....	Rotor, A340 Speed Sensor (Aluminum) With Magnet.....	1
97680B.....	Rotor, A340 Speed Sensor (Steel) With 4 Legs.....	1
97740A.....	Valve Body, A340 (3 Solenoid) Uses 1 Tube To Case.....	1
97740AA.....	Valve Body, A340 (3 Solenoid) Uses 2 Tube To Case.....	1
97740AB.....	Valve Body, A340 (3 Solenoid) (Uses 2 Tubes To Case)(Cast # 8930 On Case Side And Cast # 8931 On Filter Side).....	1
97740AE.....	Valve Body, A340 (3 Solenoid) (3 Tubes To Case)(With Cable Operated Throttle Valve) (Cast # 8930 On Case Side And Cast # 8931 On Filter Side).....	1
97740B.....	Valve Body, A340 (3 Solenoid) (3 Tubes To Case) (Cast # 8930 On Case Side & Cast # 8930 On Filter Side).....	1
97740BA.....	Valve Body, A340 (3 Solenoid) (No Tubes To Case) (With Cable Operated Throttle Valve) (Cast # 8938).....	1
97740C.....	Valve Body, A340 (4 Solenoid) (No Tubes To Case) (With Solenoid Operated Throttle Valve) (Has An Accumulator That Looks Like A Solenoid With No Connector) (Cast # 8935).....	1
97740CA.....	Valve Body, A340 (4 Solenoid) (1 Tube To Case) (With Solenoid Operated Throttle Valve) (Has An Accumulator That Looks Like A Solenoid With No Connector) (Cast # 8935).....	1
97740CAA.....	Valve Body, A340 (4 Solenoid)(1 Tube To Case)(With Cable Operated Throttle Valve) (Has An Accumulator That Looks Like A Solenoid With No Connector)(Cast # 8935).....	1
97740CB.....	Valve Body, A340 (4 Solenoid) (2 Tubes To Case) (With Solenoid Operated Throttle Valve) (Has An Accumulator That Looks Like A Solenoid With No Connector) (Cast # 8935).....	1
97740CC.....	Valve Body, A340 (4 Solenoid) (No Tubes To Case) (With Solenoid Operated Throttle Valve) (Has An Accumulator That Looks Like A Solenoid With No Connector) (Cast # 8938).....	1
97740CD.....	Valve Body, A340 (4 Solenoid) (No Tubes To Case) (With Cable Operated Throttle Valve) (Cast # 8932).....	1
97740CE.....	Valve Body, A340 (4 Solenoid) (No Tubes To Case) (No Throttle Valve) (Cast # 8932).....	1
97740D.....	Valve Body, A343F (5 Solenoids) 1998-Up.....	1
97740DA.....	Valve Body, A341E (5 Solenoids) 1993-Up.....	1

PART #	VALVE BODY COMPONENTS	QTY.	REFERENCE #
S97741-6AK...	Retainer Set, A340 Valve (Rectangular) (.654" x .236") 10 Per Pack (Sonnax).....	1	
S97741-6BK...	Retainer Set, A340 Valve (Rectangular) (.592" x .198") 10 Per Pack (Sonnax).....	1	
S97741-6CK...	Retainer Set, A340 Valve (Rectangular) (.572" x .198") 10 Per Pack (Sonnax).....	1	
S97741-6DK...	Retainer Set, A340 Valve (Rectangular) (.832" x .193") 10 Per Pack (Sonnax).....	1	
S97741-6EK...	Retainer Set, A340 Valve (Rectangular) (.645" x .203") 10 Per Pack (Sonnax).....	1	
S97741-6FK...	Retainer Set, A340 Valve (Rectangular) (.551" x .195") 10 Per Pack (Sonnax).....	1	
S97741CK.....	Sleeve Kit, A340 Lock-Up Relay Valve (Contains: 1 Inboard Sleeve, 1 Outboard Sleeve, 1 Separating Spring & 1 Retaining Spring)(Sonnax)(This Only Fits The 3 Solenoid Valve Body) ..1	1	
S97741H-4.....	Pin, A340 Valve Body Plug Pins (Solid) 10 Per Pack (Sonnax).....	1	
S97741N-4K...	Retainer Set, A340 Throttle Valve Stop (10 Per Pack) Sonnax.....	1	
S97741PAK.....	Pressure Regulator Assembly, A340 (Oversize Valve With Spring & Shim) Sonnax (Must Use T-89010-TL Reamer).....	1	
T-89010-TL.....	Reamer, For S97741PAK (Sonnax).....	1	
S97741T-2.....	Sleeve, A340 TV Boost Valve (Sonnax).....	1	
S97741TK.....	Valve & Sleeve, A340 TV Boost (.566"OD)(.523"OD Valve)(Sonnax).....	1	
S97741TAK.....	Valve & Sleeve, A340 TV Boost (.546"OD)(.480"OD Valve)(Sonnax).....	1	

PART #	HARD PARTS (Continued)	QTY.	REFERENCE #
97750A.....	Bell Housing, A340 (Cast # 8930 By Bottom Case Bolt Rear).....	1	
97750B.....	Bell Housing, A340 (Cast # 8934 By Bottom Case Bolt Rear).....	1	
97750C.....	Bell Housing, A340 (Cast # 8936 By Bottom Case Bolt Rear).....	1	
97750D.....	Bell Housing, A340 (Cast # 8931 By Bottom Case Bolt Rear).....	1	
97750E.....	Bell Housing, A340 (Cast # 8948 By Bottom Case Bolt Rear).....	1	

PART #	HARD PARTS (Continued)	QTY	REFERENCE #
97750F	Bell Housing, A340 (Cast # 8939 By Bottom Case Bolt Rear)	1	
97750G	Bell Housing, A340 (Cast # 8942 By Bottom Case Bolt Rear)	1	
97750H	Bell Housing, A340 (Cast # 8937 By Bottom Case Bolt Rear)	1	
97750J	Bell Housing, A340 (Cast # 8946 By Bottom Case Bolt Rear)	1	
97750K	Bell Housing, A340 (Cast # 8928 By Bottom Case Bolt Rear)	1	
97750L	Bell Housing, A340 (Cast # 8929 By Bottom Case Bolt Rear)	1	
97750M	Bell Housing, A340 (Cast # 8925 By Bottom Case Bolt Rear)	1	
97750MA	Bell Housing, A340 (Cast # 8924 By Bottom Case Bolt Rear)	1	
97750N	Bell Housing, A340 (Cast # 8944 By Bottom Case Bolt Rear)	1	
97750P	Bell Housing, A340 (Large Cast Letter "F" On Top Outside)	1	
97760A	Case, A340 (3 Oil Holes To Extension Housing) 6/8 Bolt Extension Housing (No Pulse Generator) No Top Mount (No Thread Hole In Front Of The Cooler Line Fitting)		
	Cast # 8930 Above Metal Tag	1	
97760AA	Case, A340 (3 Oil Holes To Extension Housing) 6/8 Bolt Extension Housing (No Pulse Generator) No Top Mount (With Threaded Hole In Front Of The Cooler Line Fitting)	1	
97760AB	Case, A340 (2 Oil Holes To Extension Housing) 6/8 Bolt Extension Housing (No Pulse Generator) No Top Mount (No Threaded Hole In Front Of The Cooler Line Fitting)	1	
97760AC	Case, A340 (2 Oil Holes To Extension Housing) 6/8 Bolt Extension Housing (No Pulse Generator) No Top Mount (With Threaded Hole In Front Of The Cooler Line Fitting)	1	
97760AD	Case, A340 (2 Oil Holes To Extension Housing) 6/8 Bolt Extension Housing (1 Pulse Generator) No Top Mount (No Threaded Hole In Front Of The Cooler Line Fitting)	1	
97760AE	Case, A340 (2 Oil Holes To Extension Housing) 6/8 Bolt Extension Housing (2 Pulse Generators) No Top Mount (No Threaded Hole In Front Of The Cooler Line Fitting)	1	
97760AM	Case, A340 (2 Oil Holes To Extension Housing) 6/8 Bolt Extension Housing (No Pulse Generator) 4 Hole Top Mount (No Threaded Hole In Front Of The Cooler Line Fitting)		
	Cast # 8934 Above Metal Tag	1	
97760AN	Case, A340 (2 Oil Holes To Extension Housing) 6/8 Bolt Extension Housing (With Pulse Generators) 4 Hole Top Mount (No Threaded Hole In Front Of The Cooler Line Fitting)	1	
97760B	Case, A340 (2 Oil Holes To Extension Housing) 7 Bolt Extension Housing (No Pulse Generator) No Top Mount (With Threaded Hole In Front Of The Cooler Line Fitting) Cast # 8980 Above Metal Tag	1	
97760BA	Case, A340 (2 Oil Holes To Extension Housing) 7 Bolt Extension Housing (1 Pulse Generator) No Top Mount (No Threaded Hole In Front Of The Cooler Line Fitting)		
	Cast # 8980 Above Metal Tag	1	
97760BB	Case, A340 (3 Oil Holes To Extension Housing) 7 Bolt Extension Housing (No Pulse Generator) No Top Mount (With Threaded Hole In Front Of Cooler Line Fitting)	1	
97760D	Case, A340 (1 Oil Hole To Extension Housing) 6/8 Bolt Extension Housing (1 Hole Pulse Generator) No Thread Hole In Front Of The Cooler Line Fitting (Cast # 8835) Tag # 35-50LS (Has A Caged Needle Bearing In Rear Of Case)	1	

PART #	CASE COMPONENTS	QTY	REFERENCE #
97761C	Check Ball Capsule, A340 With Spring (In Case Under Valve Body) Plastic Housing	1	

PART #	HARD PARTS (Continued)	QTY	REFERENCE #
97765A	Pan, A340 (3 7/8" At Deep End) 9 1/2" Tube On Drivers Side (From Drivers Side Tube Angles Up At 10:00)	1	
97765AA	Pan, A340 (3 7/8" At Deep End) 9 1/2" Tube On Drivers Side (From Drivers Side Tube Angles Up At 11:30)	1	
97765AE	Pan, A340 (3 7/8" At Deep End) 12 1/4" Tube On Drivers Side	1	
97765AG	Pan, A340 (3 7/8" At Deep End) 13 1/4" Tube On Passengers Side	1	
97765B	Pan, A340 (2 3/4" At Deep End) 8 3/4" Tube On Passengers Side (From Passengers Side Tube Angles Up At 12.30)	1	
97765BA	Pan, A340 (2 1/8" At Deep End) 7 3/4" Tube On Passengers Side	1	
97765BB	Pan, A340 (2 1/8" At Deep End) 7 3/4" Tube On Drivers Side	1	
97765BC	Pan, A340 (2 1/8" At Deep End) 11 3/4" Tube On Drivers Side	1	
97765C	Pan, A340 (2 1/2" At Deep End) 15" Tube Drivers Side	1	
97770A	Extension Housing, A340 2WD (8 3/4") 6 Bolt (4 Bolt Bottom V Mount) Speed-O Hole On Passengers Side (Sensor Hole On Drivers Side) Cast # 8900	1	
97770AA	Extension Housing, A340 2WD (8 3/4") 6 Bolt (4 Bolt Bottom V Mount) Speed-O Hole & Sensor Hole On Drivers Side With 3 Threaded Bosses	1	
97770AB	Extension Housing, A340 2WD (8 3/4") 6 Bolt (4 Bolt Bottom V Mount) Speed-O Hole & Sensor Hole On Drivers Side With 2 Threaded Bosses (Cast # 8963)	1	
97770AE	Extension Housing, A340 2WD (8 3/4") 6 Bolt (4 Bolt V Mount & 4 Bolt Flat Bottom Mount & A 4 Bolt Top Flat Mount) Speed-O Hole On Passengers Side, Sensor Hole On Drivers Side (Cast # 8921)	1	

97770B Extension Housing, A340 2WD (8 3/4") 7 Bolt (2 Bolt Bottom Flat Mount) Speed-O Hole On Drivers Side	1
97770BE Extension Housing, A340 2WD (8 5/8") 7 Bolt (2 Bolt Bottom Flat Mount) 2"ID Speed-O Hole & Sensor Hole On Drivers Side (Cast # 8916 On Passengers Side)	1
97770C Extension Housing, A340 2WD (8 3/4") 6 Bolt (2 Stud Bottom Mount) Speed-O & Sensor Hole On Drivers Side	1
97770D Extension Housing, A340 2WD (8 3/4") 6 Bolt (4 Bolt Bottom Flat Mount) Speed-O & Sensor Hole On Drivers Side With 3 Threaded Bosses	1
97770E Extension Housing, A340 2WD (8 3/4") 6 Bolt (6 Bolt Top Flat Mount) Speed-O Hole On Passengers Side (Cast # 8912 In Top Mount)	1
97770F Extension Housing, A340 2WD (5 1/2") 7 Bolt (4 Bolt Bottom V Mount) 4 Bolt Cover On Top (Looks Like A 4x4 But Is Not)	1
97770G Extension Housing, A340 2WD (5") 6 Bolt (4 Bolt Flat Rear Facing Mount) Speed-O Hole On Passengers Side (Cast # 8907 Rear Bottom)	1
97770GA Extension Housing, A340 2WD (5") 6 Bolt (4 Bolt Flat Rear Facing Mount) No Speed-O Hole (Cast # 8917 Rear Bottom)	1
97770H Extension Housing, A340 2WD (4 3/4") 6 Bolt (4 Bolt Bottom Flat Mount) Speed-O Hole On Passengers Side, Sensor Hole On Drivers Side	1
97770J Extension Housing, A340 2WD (3 3/4") 6 Bolt (4 Bolt Flat Rear Facing Mount) No Speed-O Hole	1
97770L Extension Housing, A340 4x4 (6 1/4") 7 Bolt (4 Bolt Cover On Top) Sensor On Passengers Side	1
97770M Extension Housing, A340 4x4 (5") 8 Bolt (2 Bolt Bottom Mount) Sensor On Drivers Side (1.863"ID Seal)	1
97770MA Extension Housing, A340 4x4 (5") 8 Bolt (2 Bolt Bottom Mount) Sensor On Drivers Side (1.914"ID Seal)	1
97770N Extension Housing, A340 4x4 (4 1/2") 6 Bolt (4 Bolt Top Flat Mount) Sensor On Passengers Side (Cast # 36117-8906 Top Front)	1
97770P Extension Housing, A340 4x4 (3 5/8") 7 Bolt (Sensor On Passengers Side) 1.914"ID Seal	1
97770Q Extension Housing, A340 4x4 (3 1/2") 7 Bolt (2 Bolt Bottom Flat Mount) No Sensor (1.800"ID Seal)	1
97770QA Extension Housing, A340 4x4 (3 1/2") 7 Bolt (2 Bolt Bottom Flat Mount) Sensor On Drivers Side (1.800"ID Seal) Cast # 8930 Inside Front	1
97774 Housing, A340 Driven Speed-O Gear (Cable Type)	1
97774E Housing, A340 Driven Speed-O Gear (With 3 Prong Connector)(With Outside Of Connector At 12:00, The Bolt Hole Is At 6:30)	1
97774EA Housing, A340 Driven Speed-O Gear (With 3 Prong Connector)(With Outside Of Connector At 12:00, The Bolt Hole Is At 10:00)	1
97774EB Housing, A340 Driven Speed-O Gear (With 3 Prong Connector)(With Outside Of Connector At 12:00, The Bolt Hole Is At 1:00)	1
57775 Bolt, A340 Converter (8 x 1.25mm)	AR
67775 Bolt, A340 Converter (9 x 1.25mm)	AR
97776A Bolt Set, A340 Bell To Case (6 Per Set)	1
97778K Bolt Set, A340 Pump Stator To Body (13 Per Set)	1
97779K Bolt Set, A340 Bottom Pan To Case (19 Per Set)	1
97782AK Bolt Set, A340 Valve Body To Case (17 Per Set)	1
97782BK Bolt Set, A340 Valve Body To Case (20 Per Set)	1
97783K Bolt Set, A340 Case To Overdrive Support (2 Per Set)	1
97844 Key, A340 Holds Speed Rotor To Output Shaft	1
97848 Gear, A340 Driven Speed-O (17 Teeth)	1
97848A Gear, A340 Driven Speed-O (18 Teeth)(2.280" Long)	1
97848A-1 Gear, A340 Driven Speed-O (18 Teeth)(3.250" Long)	1
97848AA Gear, A340 Driven Speed-O (19 Teeth)	1
97853 Cushion, A340 Forward Clutch Steel (8 Teeth)	1
97859 Cushion, A340 Low/Reverse Clutch (.079" Thick) Beveled	1
97860 Snap Ring, A340 Holds Aluminum Support In Case 1985-Up (7 3/16"OD) With 2 Eyelets In Ends	1
97861 Snap Ring, A340 Holds Overdrive Pressure Plate In Case	1
97862 Snap Ring, A340 Holds Overdrive Brake Clutch Retainer In (6 5/8"OD) .193" Thick ID To OD	1
97862A Snap Ring, A340 Holds Overdrive Brake Clutch Retainer In (6 5/8"OD) .174" Thick ID To OD	1
97864 Snap Ring, A340 Holds Overdrive Direct Clutch Pressure Plate In 1985-Up (5 5/16"OD) .245" Thick ID To OD (Also Fits A340 Holds Forward Clutch Pressure Plate In Drum)	1-2
97865 Snap Ring, A340 Holds Overdrive Direct Clutch Retainer In	1
97867 Snap Ring, A340 Holds Overdrive Sprag To Overdrive Planet 1985-Up (.038" Thick) .190" Thick ID To OD (3 15/16"OD)	1
97868 Snap Ring, A340 Holds Overdrive Hub To ring Gear (4 1/4"OD)	1
97868A Snap Ring, A340 Holds Overdrive Hub To Ring Gear (5 1/4"OD)	1
97872 Snap Ring, A340 Holds 2nd Brake Support In Case (5 7/8"OD) .118" Thick	1
97873 Snap Ring, A340 Holds 2nd Brake Clutches In Case (5 9/16"OD) .062" Thick	1
97874 Snap Ring, A340 Holds 2nd Brake Retainer In	1

A340 / A341 / A343

RWD 4 Speed

PART #	HARD PARTS (Continued)	QTY	REFERENCE #
97876	Snap Ring, A340 Holds Forward Pressure Plate In Drum (Use 97864)	1	
97877	Snap Ring, A340 Holds Forward Clutch Retainer In Drum	1	
97878	Snap Ring, A340 Holds Direct Clutch Pressure Plate In Drum (Fits Drum With 6 Tooth Steels) 5 1/2"OD	1	
97878B	Snap Ring, A340 Holds Direct Clutch Pressure Plate In Drum (Fits Drum With 24 Tooth Steels) 5 3/4"OD	1	
97879	Snap Ring, A340 Holds Direct Clutch Retainer In Drum	1	
97885	Snap Ring, A340 Holds Low/Reverse Clutch Retainer In Case	1	
97886	Snap Ring, A340 Holds Shell To Sun Gear (Rear) Flat (.049" Thick)	1	
97887	Snap Ring, A340 Holds Shell To Sun Gear (Front) Round Wire (.090" Thick)	1	
97888	Snap Ring, A340 Holds #2 One Way Clutch In Rear Planet	1	
97889	Snap Ring, A340 Holds Rear Hub To Rear Ring Gear (4 7/16"OD)	1	
97894	Snap Ring, A340 Holds Forward Planet To Output Shaft	1	
97895	Snap Ring, A340 Holds Speed Sensor To Output Shaft	2	
97896	Snap Ring, A340 Holds Servo Cover On Case	1	
97905	Servo Assembly, A340 (2 7/8" Pin)	1	
97905A	Servo Assembly, A340 (3 1/8" Pin)	1	
97906	Spring, A340 Servo	1	
97907	Piston, A340 Servo (Fits 2 7/8" Pin)	1	
97907A	Piston, A340 Servo (Fits 3 1/8" Pin)	1	
97909	Cover, A340 Servo (Fits Servo With 2 7/8" Pin)	1	
97909A	Cover, A340 Servo (Fits Servo With 3 1/8" Pin)	1	
97916	Pin, A340 Band Anchor (In Case)	1	
97925	Accumulator Assembly, A340 (4 Pistons With 7 Loose Springs)	1	
97925A	Accumulator Assembly, A340 (4 Pistons With Springs Attached)	1	
97960	Piston, A340 Overdrive Brake Clutch (6 1/4"OD) 1.843" Tall (Fits Support #630 With Cast # 8931)	1	
97960A	Piston, A340 Overdrive Brake Clutch (6 1/4"OD) 1.755" Tall (Fits Support #630 With Cast # 8931)	1	
97960AA	Piston, A340 Overdrive Brake Clutch (6 1/4"OD) 1.685" Tall (Fits Support # 630 With Cast # 8931)	1	
97960AB	Piston, A340 Overdrive Brake Clutch (6 1/4"OD) 1.505" Tall (Fits Support # 630 With Cast # 8931)	1	
97960AC	Piston, A340 Overdrive Brake Clutch (6 1/4"OD)(1.585" Tall)(Fits Support # 630 With Cast # 8931)	1	
97960B	Piston, A340 Overdrive Brake Clutch (6"OD) 1.847" Tall (Fits Support #630 With Cast # 8930)	1	
97960BA	Piston, A340 Overdrive Brake Clutch (6"OD) 1.673" Tall (Fits Support #630 With Cast # 8930)	1	
97961	Piston, A340 Overdrive Clutch	1	
97962	Piston, A340 2nd Brake Clutch	1	
97964	Piston, A340 Forward Clutch (.493" Thick)	1	
97964B	Piston, A340 Forward Clutch (.453" Thick)	1	
97965	Piston, A340 Direct Clutch (4 5/8"OD)	1	
97965A	Piston, A340 Direct Clutch (5"OD)	1	
97967	Piston Set, A340 Low/Reverse Clutch (2.645" Tall) 3 Piece (The Largest Piston Is 2.645" Overall Height)	1	
97967A	Piston Set, A340 Low/Reverse Clutch (2.750" Tall) 3 Piece (The Largest Piston Is 2.750" Overall Height)	1	
97967B	Piston Set, A340 Low/Reverse Clutch (2.925" Tall) 3 Piece (The Largest Piston Is 2.925" Overall Height)	1	
97970	Retainer W/Springs, A340 Overdrive Brake Clutch (6 1/4"OD)	1	
97970B	Retainer W/Springs, A340 Overdrive Brake Clutch (6"OD)	1	
97971	Retainer W/Springs, A340 Overdrive Direct Clutch Return	1	
97972	Retainer W/Springs, A340 2nd Brake Clutch Return	1	
97974	Retainer W/Springs, A340 Forward Clutch Return	1	
97975	Retainer W/Springs, A340 Direct Clutch Return	1	
97977	Retainer W/Springs, A340 Low/Reverse Clutch (20 Springs)	1	
97977A	Retainer W/Springs, A340 Low/Reverse Clutch (18 Springs)	1	
97977B	Retainer W/Springs, A340 Low/Reverse Clutch (16 Springs)	1	
97982	Retainer, A340 2nd Brake Clutch	1	
97991	Linkage Assembly, A340 Internal (Manual Lever Passenger Side)	1	
97991A	Linkage Assembly, A340 Internal (Manual Lever Drivers Side)	1	
97991A-6	Bracket, A340 Park Rod (3 Bolt)	1	
97991B-6	Bracket, A340 Park Rod (2 Bolt)	1	
97994	Actuator, A340 Park Rod (12")	1	
97994A	Actuator, A340 Park Rod (19")	1	
97995	Park Pawl Assembly, A340	1	

TOYOTA

PART #	HARD PARTS (Continued)	QTY	REFERENCE #
97996	Fitting, A340 Cooler Line (Straight) 2" Tall	1	
97996A	Fitting, A340 Cooler Line (Elbow) 2" Tall	1	
97996AA	Fitting, A340 Cooler Line (Elbow With Small Threaded Hole On Top)	1	
97996AB	Fitting, A340 Cooler Line (Elbow) 3 1/2" Tall	1	
97996AC	Fitting, A340 Cooler Line (Elbow) 3 1/2" Tall With Electric Sensor In The Side	1	
97999	Tube Set, A340 (3 Tube Type)	1	
97999A	Tube Set, A340 (2 Tube Type) Tubes Are 3 1/2" Tall	1	
97999AA	Tube, A340 (2 Tube Type) Tubes Are 1 1/2" Tall	1	
97999B	Tube Set, A340 (1 Tube Type)	1	

