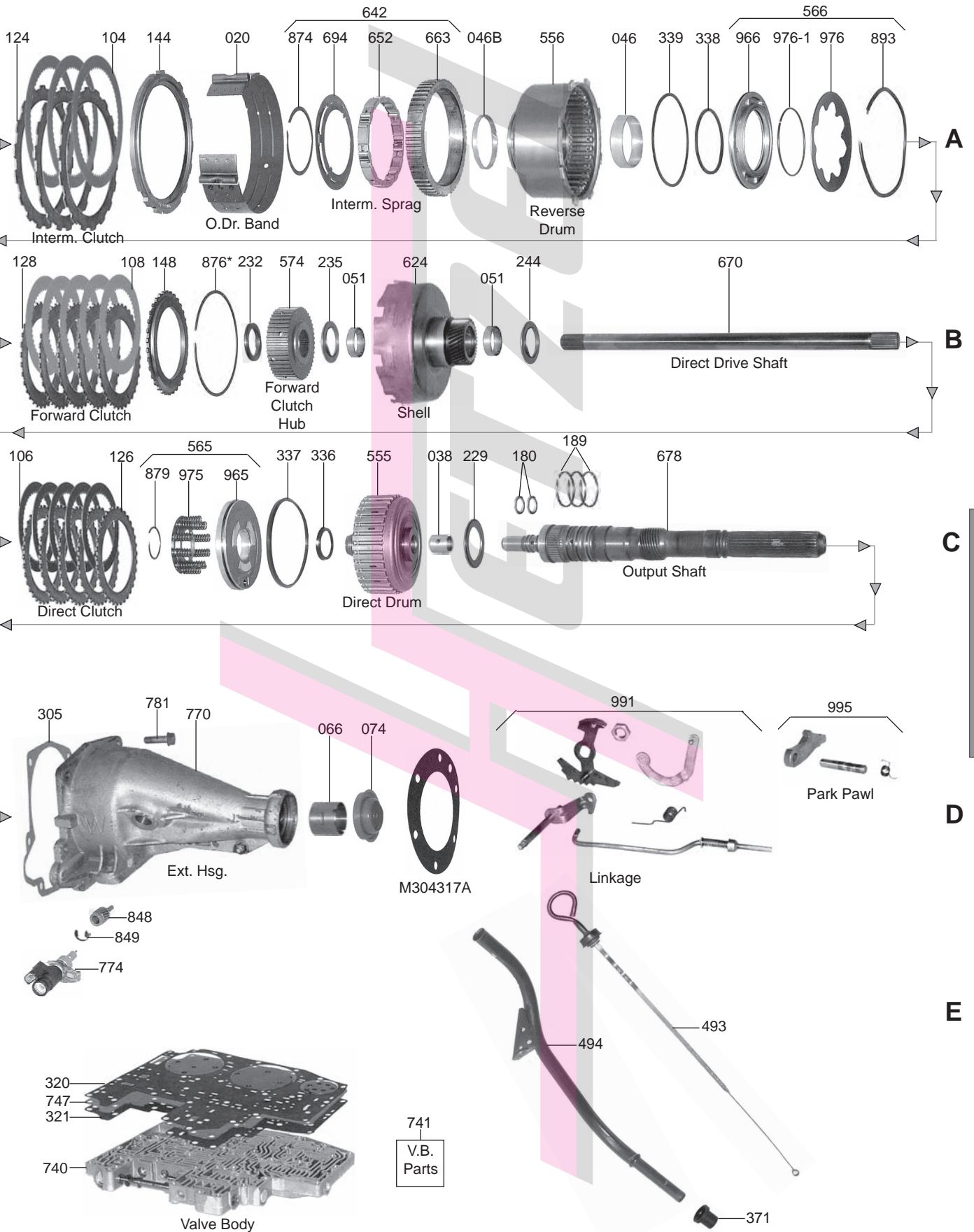


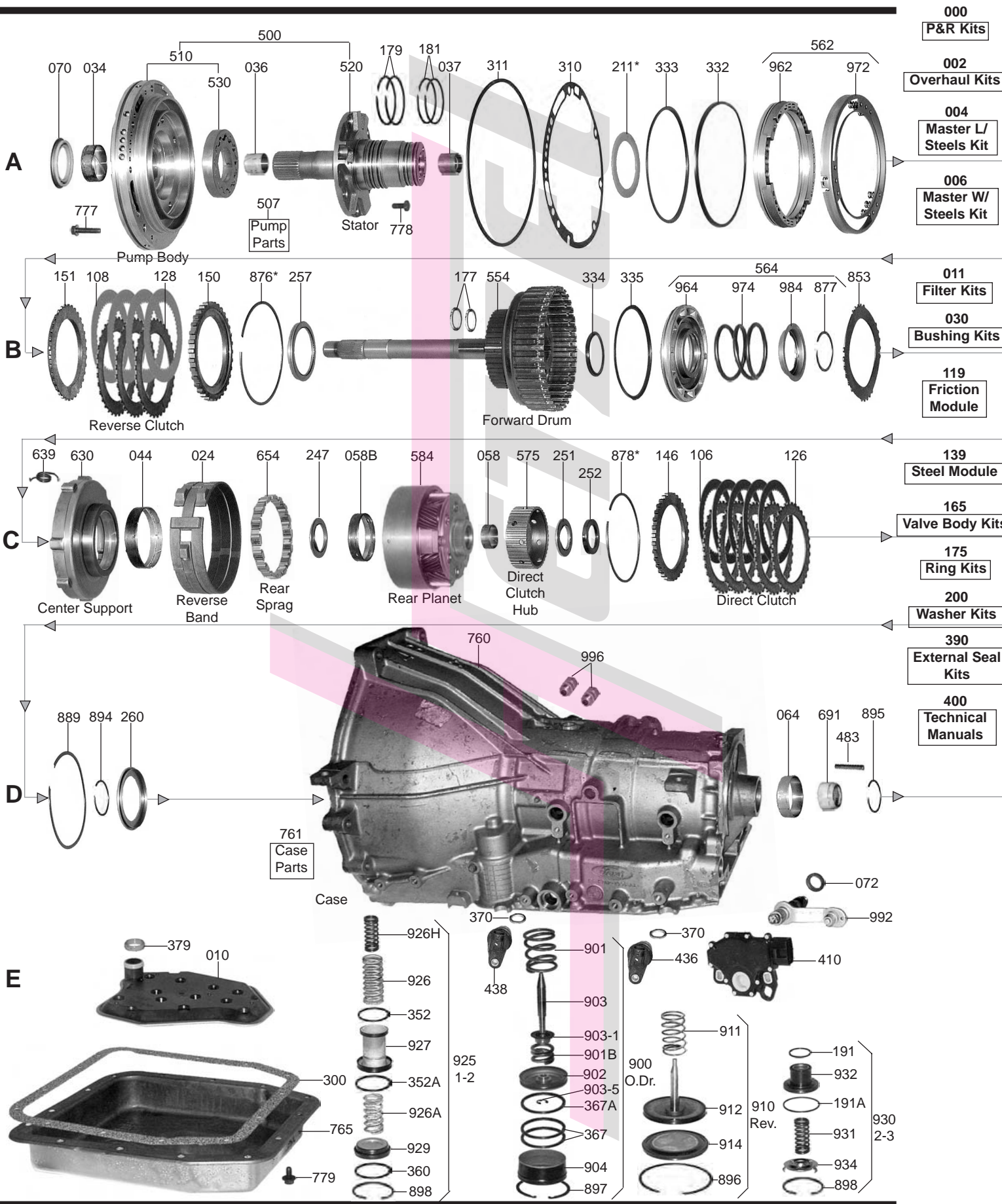
FORD



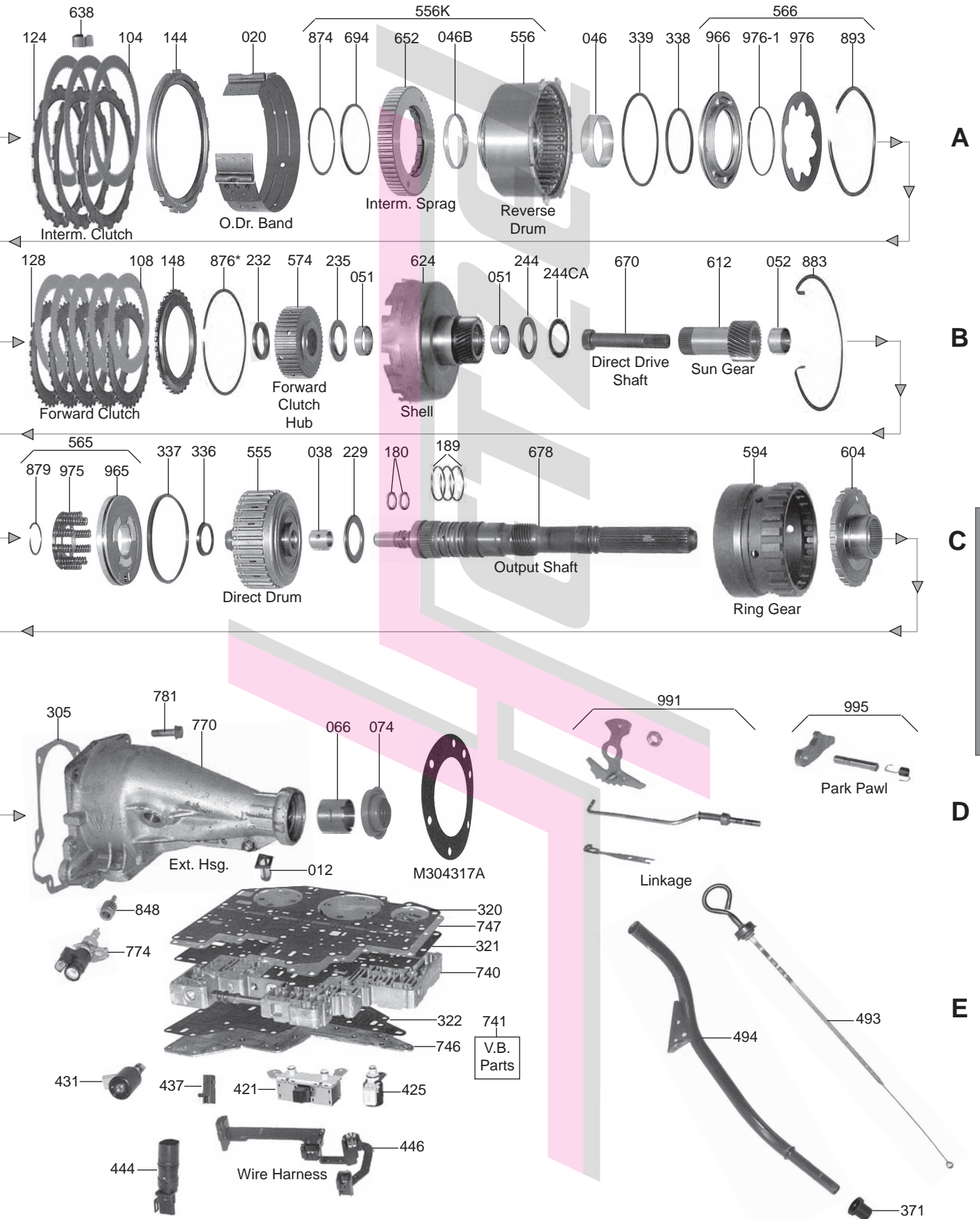
FORD

AODE / 4R70W / 4R75W / 4R70E / 4R75E RWD 4 Speed

FORD



RWD 4 Speed **AODE / 4R70W / 4R75W / 4R70E / 4R75E**



FORD

FORD

PART #	PAPER & RUBBER KIT	QTY.	REFERENCE #
76000	Paper & Rubber Kit, AOD (FIOD) 1980-93	1	
76000E	Paper & Rubber Kit, AODE/4R70W 1992-95	1	
76000GF	Paper & Rubber Kit, 4R70W/4R75W/4R70E/4R75E 1996-Up (Farpak)	1	
PART #	OVERHAUL KITS	QTY.	REFERENCE #
76002	Overhaul Kit, AOD 1980-93	1	
76002E	Overhaul Kit, AODE/4R70W 1992-95 (If Customer Needs Bonded Pan Gasket, Sell 76300EW)	1	
76002GF	Overhaul Kit, 4R70W 1996-03 (Farpak)	1	
76002GW	Overhaul Kit, 4R70W 1996-03 (Bonded Pan Gasket)	1	
76002GZ	Overhaul Kit, 4R70W 1996-03 (Ultra Cork Pan Gasket)	1	
76002HF	Overhaul Kit, 4R75W/4R70E/4R75E (Farpak) 2004-Up	1	
76002HW	Overhaul Kit, 4R75W/4R70E/4R75E (Bonded Pan Gasket) 2004-Up	1	
PART #	MASTER L/STEEL KIT	QTY.	REFERENCE #
76004	Master L/Steels Kit, AOD (FIOD) 1980-E83	1	
76004A	Master L/Steels Kit, AOD (FIOD) L1983-93	1	
76004E	Master L/Steels Kit, AODE 1992-95	1	
76004EA	Master L/Steels Kit, 4R70W 1993-95 (If Customer Needs Bonded Pan Gasket, Sell 76300EW)	1	
76004GF	Master L/Steels Kit, 4R70W 1996-03 (Farpak)	1	
76004GW	Master L/Steels Kit, 4R70W 1996-03 (Bonded Pan Gasket)	1	
76004GZ	Master L/Steels Kit, 4R70W 1996-03 (Ultra Cork Pan Gasket)	1	
76004HF	Master L/Steels Kit, 4R75W/4R70E/4R75E (Farpak Pan Gasket) 2004-Up	1	
76004HW	Master L/Steels Kit, 4R75W/4R70E/4R75E (Bonded Pan Gasket) 2004-Up	1	
PART #	MASTER W/STEEL KIT	QTY.	REFERENCE #
76006	Master W/Steels Kit, AOD (FIOD) 1980-E83	1	
76006A	Master W/Steels Kit, AOD L1983-93 (W/Cast Iron Reverse, Direct & Forward Drums)	1	
76006B	Master W/Steels Kit, AOD L1983-93 (W/Stamped Steel Reverse, Direct & Forward Drums)	1	
76006E	Master W/Steels Kit, AODE 1992-95	1	
76006EA	Master W/Steels Kit, 4R70W 1993-95 (If Customer Needs A Bonded Pan Gasket, Sell 76300EW)	1	
76006GF	Master W/Steels Kit, 4R70W 1996-03 (Farpak)	1	
76006GW	Master W/Steels Kit, 4R70W 1996-03 (Bonded Pan Gasket)	1	
76006GZ	Master W/Steels Kit, 4R70W 1996-03 (Ultra Cork Pan Gasket)	1	
76006HF	Master W/Steels Kit, 4R75W/4R70E/4R75E (Farpak Pan Gasket) 2004-Up	1	
76006HW	Master W/Steels Kit, 4R75W/4R70E/4R75E (Bonded Pan Gasket) 2004-Up	1	
PART #	FILTER	QTY.	REFERENCE #
76010	Filter, AOD 2WD 1980-93	1	E0AZ-7A098-A
76010A	Filter, AOD 4x4 1984-93	1	E4TP-7F003-A
76010E	Filter, AODE 2WD 1992-95	1	F2VY-7A098-AA
76010EA	Filter, AODE/4R70W 4WD 1994-95 (4R70W/4R75W/4R70E/4R75E 2WD & 4x4 1996-Up) Has A Metal Pick-Up Tube	1	F6AZ-7A098-AA
PART #	FILTER KIT	QTY.	REFERENCE #
76011	Filter Kit, AOD 2WD 1980-93	1	
76011A	Filter Kit, AOD 4x4 1984-93	1	
76011E	Filter Kit, AODE 2WD 1992-95	1	
76011EA	Filter Kit, AODE/4R70W 4x4 1994-95 (4R70W/4R75W/4R70E/4R75E 2WD & 4x4 1996-Up)	1	
PART #	MISC. FILTERS	QTY.	REFERENCE #
76012H	Screen, 4R70W/4R75W/4R70E/4R75E Pump (On Valve Body) 2004-Up	1	
76014	Screen, AOD Governor	1	E7AZ-E242-A
76016	Screen, AODE/4R70W/4R75W/4R70E/4R75E Solenoid Feed (In Valve Body) 1992-Up	1	F2VY-7H187-A
PART #	BANDS	QTY.	REFERENCE #
76020	Band, AOD Overdrive Drum (1.5" Wide) 1980-93	1	E0AZ-7F196-A
76020K	Band, AOD Overdrive Drum (1.5" Wide) 1980-93 (Kevlar)	1	
76020E	Band, AOD/AODE/4R70W/4R75W/4R70E/4R75E Overdrive Drum (2" Wide) 1990-Up	1	F2TZ-7F196-A
76020EK	Band, AOD/AODE/4R70W/4R75W/4R70E/4R75E Overdrive Drum (2" Wide) 1992-Up (Raybestos Pro Series)	1	

76024.....Band, AOD/AODE/4R70W/4R75W/4R70E/4R75E Reverse 1980-Up.....1.....F0AZ-7D095-A

PART #	BUSHINGS	QTY.	REFERENCE #
76030.....	Bushing Kit, AOD (With Cast Iron Drums) 1980-89	1	
76030B	Bushing Kit, AOD/AODE/4R70W/4R75W/4R70E/4R75E (With Stamped Steel Drums) 1990-Up..	1	
36034.....	Bushing, AOD/AODE/4R70W/4R75E/4R70E/4R75E Pump (Babbitt) (.760" Tall) 1980-Up.....	1	
76034.....	Bushing, AOD/AODE/4R70W/4R75W/4R70E/4R75E Pump (.702" Tall) 1980-Up (Bronze)	1	
76036.....	Bushing, AOD/AODE/4R70W/4R75W/4R70E/4R75E Stator (Front) 1980-Up	1	
76037.....	Bushing, AOD Stator (Rear) 1980-91	1	
76037B	Bushing, AODE/4R70W/4R75W/4R70E/4R75E (Rear W/Notch) 1992-Up	1	
76038.....	Bushing, AOD Direct Clutch Drum (W/Cast Iron Drum) 1980-89.....	1	
76038A	Bushing, AOD/AODE/4R70W/4R75W/4R70E/4R75E Direct Drum (W/Stamped Steel Drum)		
	1990-Up	1	
76044.....	Bushing, AOD/AODE/4R70W/4R75W/4R70E/4R75E Center Support 1980-Up	1	
76046.....	Bushing, AOD/AODE/4R70W/4R75W/4R70E/4R75E Reverse Clutch Drum (Rear) 1980-Up	1	
76046B	Bushing, AOD/AODE/4R70W/4R75W/4R70E/4R75E Reverse Clutch Drum (Front) 1980-Up	1	
76048.....	Bushing, AOD Forward Drum Shaft 1980-93	1	
76051.....	Bushing, AOD/AODE/4R70W/4R75W/4R70E/4R75E Reverse Sun Gear (Shell) 1980-Up	2	
76052.....	Bushing, AOD/AODE/4R70W/4R75W/4R70E/4R75E Forward Sun Gear 1980-Up	1	
76058.....	Bushing, AOD/AODE/4R70W/4R75W/4R70E/4R75E Planet (Rear) 1.380"OD 1980-Up.....	1	
76058B	Bushing, AOD/AODE/4R70W/4R75W/4R70E/4R75E Planet (Front) 2.770"OD 1980-Up.....	1	
76064.....	Bushing, AOD/AODE/4R70W/4R75W/4R70E/4R75E Case 1980-Up	1	
76064B	Bushing, AOD/AODE Case (Top Hat, Replaces Case Bushing) 1980-Up.....	1	
26066.....	Bushing, AOD Extention Housing (1.500"ID) (Babbitt) 1980-92	1	
76066B	Bushing, AODE/4R70W/4R75W/4R70E/4R75E Extension Housing (1.606"ID)(Bronze)1993-Up..	1	

PART #	METAL CLAD SEALS	QTY.	REFERENCE #
36070.....	Seal, AOD Front W/Out Flange.....	1	C2AZ-7A248-A
36070A	Seal, AOD/AODE Front W/Flange (8.14mm / .320" Overall Thickness)	1	C3OP-7A248-A
76070A	Seal, AOD/AODE Front Pump W/Flange (.360" Thick).....	1	E0AZ-7F273-A
76070B	Seal, AODE/4R70W/4R75W/4R70E/4R75E Front Pump W/Flange (Black Viton) 1992-Up.....	1	E9TZ-7A248-B
76070C	Seal, AODE/4R70W/4R75W/4R70E/4R75E Front Pump W/Flange (Ribbed) 1992-Up	1	
36070E	Seal, AODE/4R70W Front Pump W/Flange (National) 1992-Up	1	EPTZ-7A248-E
36072.....	Seal, AOD/AODE/4R70W/4R75W/4R70E/4R75E Linkage Shaft To Case 1980-Up	1	D5AZ-7B498-A
76073.....	Seal, AOD Throttle Lever 1980-93	1	E0AZ-7F337-A
44074.....	Seal, AOD/AODE Rear (With Flange, Without Boot) 1980-92	1	
76074A	Seal, AODE/4R70W/4R75W/4R70E/4R75E Rear (With Short Boot) 1992-Up.....	1	
44074B	Seal, AOD Rear (With Flange, With Long Boot) 1980-92	1	
76074B	Seal, AODE/4R70W/4R75W/4R70E/4R75E Rear (With Long Boot) 1992-Up	1	
44074C	Seal, AOD/AODE Rear (With Flange, With Short Boot) 1980-92	1	

PART #	FRICTION CLUTCH	QTY.	REFERENCE #
76104.....	Friction, AOD/AODE Intermediate Clutch (.077") 1980-Up	3	E0AZ-7B164-D
76104A	Friction, AODE/4R70W/4R75W/4R70E/4R75E Intermediate Clutch (.066") (Mark VIII) 1993-Up 3-4		
76104APPK	Friction/Steel Kit, AOD/AODE/4R70W/ Intermediate Clutch (.066") Hi-Performance (Contains:		
	4-76104AHP, 4-76124D, 1-76144) (Alto) (Powerpack)	1	
76104B	Friction, AODE/4R70W/4R75W/4R70E/4R75E Intermediate Clutch (.066") (Hi Energy Eclipse)		
	1993-Up	3-4	
76104HP.....	Friction, AOD/AODE Intermediate Clutch (.080") (Hi Performance) 1980-Up.....	3	
76106.....	Friction, AOD/AODE Direct Clutch (.075") 1980-Up.....	5	E0AZ-7B164-A
76106A	Friction, AOD/AODE Direct Clutch (.075") (Hi-Energy) 1980-Up	AR	
76106C	Friction, AOD Direct Clutch (.069") (Commercial) 1980-93.....	AR	
76106CHPK.....	Friction & Steel Kit, AOD Direct Clutch (.059") (Commercial) Hi Performance 1980-93	1	
76106CPK	Friction & Steel Kit, AOD Direct Clutch (.059") (Commercial) 1980-93 (With Pressure Plate).....	1	49750A
76106E	Friction, AODE/4R70W/4R75W/4R70E/4R75E Direct Clutch (Red Devil) (.068") 1994-Up	5	F75Z-7B164-AA
76106EA.....	Friction, AODE/4R70W/4R75W/4R70E/4R75E Direct Clutch (Hi Energy) (.068") 1994-Up	5	
76106EBS1	Friction, AODE/4R70W/4R75W/4R70E/4R75E Direct Clutch (.060")(Stage 1) 1994-Up.....	5	
76106EHPK.....	Friction & Steel Kit, AODE/4R70W/4R75W/4R70E/4R75E Direct Clutch (.068")(Hi Performance)		
	1994-Up	1	
76106EPK	Friction & Steel Kit, AODE Direct Clutch (.059") (Commercial) 1992-Up (With Pressure Plate).....	1	
76106ES1	Friction, AODE/4R75W/4R70E/4R75E Direct Clutch (.068")(Stage 1) 1994-Up (Retro Fits		
	To 1980)	5	
76106HP.....	Friction, AOD/AODE Direct Clutch (.075") (Hi Performance) 1980-Up	5	
76106HPA.....	Friction, AOD/AODE Direct Clutch (.075") (Hi Performance) 1980-Up (Indy Reds).....	5	

FORD

PART #	FRICTION CLUTCH (Continued)	QTY.	REFERENCE #
76108.....	Friction, AOD Reverse Clutch (.080") 1980-L83	4	E0AZ-7B164-B
76108A	Friction, AOD Forward (1980-89) AOD/AODE Reverse (1983-Up) (.061") (5.250"OD) Can Use This For Forward 1990-Up	5-10	E0AZ-7B164-A
76108AHP	Friction, AOD Forward (1980-89) AOD/AODE Reverse (1983-Up) (.061") (5.250"OD) Hi Performance	5-10	
76108AHPA	Friction, AOD Forward (1980-89) AOD/AODE Reverse (1983-Up) (.061") (5.250"OD) Indy Reds (Can Use This For The Forward 1990-Up)	5-10	
76108AS1	Friction, AOD Forward (1980-89)/AOD/AODE Reverse (1983-Up)(.061")(5.250"OD)(Stage 1) (Can Use This For The Forward 1990-Up).....	1	
76108B	Friction, AOD/AODE/4R70W/4R75W/4R70E/4R75E Forward Clutch (.061") (5.36"OD) 1990-Up With Stamped Steel Drum (Can Use 76108A In Place Of This)	5	F2VP-7E311-A
76119A.....	Friction Module, AOD 1980-93.....	1	
76119AHP	Friction Module, AOD (Blue Plate Special) (Raybestos) 1983-Up	1	
76119E	Friction Module, AODE/4R70W 1993-98	1	
76119EA.....	Friction Module, AODE/4R70W/4R75W/4R70E/4R75E (With Hi Energy Direct & Intermediate Friction) 1994-Up	1	
76119EHP	Friction Module, AODE/4R70W (Generation 2) 1993-98 (Retros To 1980)	1	
76119ES1	Friction Module, AODE/4R70W 1993-Up (Stage 1)(Retro Fits To 1980)	1	

PART #	STEEL CLUTCH	QTY.	REFERENCE #
76124.....	Steel, AOD/AODE Intermediate Clutch (.069") 1980-Up.....	3	E0AZ-7B442-B1
76124A	Steel, AOD/AODE/4R70W/4R75W/4R70E/4R75E Intermediate Clutch (.079") 1980-Up.....	AR	E0AZ-7B442-B2
76124B	Steel, AOD/AODE Intermediate Clutch (.089") 1980-Up.....	AR	E0AZ-7B442-B3
76124C	Steel, AOD/AODE Intermediate Clutch (.099") 1980-Up.....	AR	E0AZ-7B442-B4
76126.....	Steel, AOD Direct Clutch (.070") (28 Teeth) 1980-89.....	4	E0AZ-7B442-A
76126A	Steel, AOD/AODE Direct Clutch (.070") (34 Teeth) 1990-95.....	5-6	E9SZ-7B442-A
76126AA.....	Steel, 4R70W/4R75W/4R70E/4R75E Direct Clutch (.079") (34 Teeth) 1996-Up.....	5-6	
76126B	Steel, AOD/AODE/4R70W/4R75W/4R70E/4R75E Direct Clutch (.059") (34 Teeth) 1990-Up	5-6	
76126C	Steel, AOD Direct Clutch (.060") (28 Teeth) (Commercial) 1980-89	AR	
76126D	Steel, AOD Direct Clutch (.070") (28 Teeth) (Kolene) 1980-89	AR	
76128.....	Steel, AOD Forward & Reverse Clutch (.068") (54 Teeth) 1980-89	8	C8AZ-7B442-A
76128A	Steel, AOD/AODE/4R70W/4R75W/4R70E/4R75E Forward Clutch (.069") (34 Teeth) 1990-Up	5	F0SZ-7B442-A
76128AA.....	Steel, AOD/AODE/4R70W/4R75W/4R70E/4R75E Forward Clutch (.069") (34 Teeth) (Kolene) 1990-Up	5	
76128B	Steel, AOD/AODE/4R70W/4R75W/4R70E/4R75E Reverse Clutch (.068") (32 Teeth) 1990-Up	3-4	F2TZ-7B442-A
76128BA.....	Steel, AOD/AODE/4R70W/4R75W/4R70E/4R75E Reverse Clutch (.068") (32 Teeth)(Kolene) 1990-Up	1	
76137EPPK....	Friction/Steel Module, AODE (With Powerpack Direct Friction) 1992-95 (Hi-Performance)	1	
76137PPK	Friction/Steel Module, AOD (With Powerpack Direct Friction) 1980-Up (Contains: Kolene Steels (8 Forward (.068"), 8 Direct (.060"), 2 Direct (.070"), 3 Intermediate (.069"), 1 Direct Pressure Plate, 9 Forward Frictions, 8 Powerpack Frictions, 3 Intermediate Frictions).....	1	
76139.....	Steel Module, AOD 1980-E89.....	1	
76139E	Steel Module, AODE 1992-95.....	1	
76139EA.....	Steel Module, AODE/4R70W/4R75W/4R70E/4R75E 1994-Up	1	

PART #	CLUTCH PRESSURE PLATES	QTY.	REFERENCE #
76144.....	Pressure Plate, AOD Intermediate Clutch (.406") 1980-93.....	1	E0AZ-7B066-D
76144A	Pressure Plate, AOD Intermediate Clutch (.563") 1982-93.....	1	E0AZ-7B066-A
76144E	Pressure Plate, AODE/4R70W/4R75W/4R70E/4R75E Intermediate Clutch (.258") 1992-Up	1	F3LY-7B066-BA
76146.....	Pressure Plate, AOD Direct Clutch (.218") (28 Teeth) 1980-89	1	E0AZ-7B066-E
76146A	Pressure Plate, AOD/AODE/4R70W/4R75W/4R70E/4R75E Direct Clutch (.218") (34 Teeth) 1990-Up	1	E9AZ-7B066-A
76146B	Pressure Plate, AOD/AODE/4R70W Direct Clutch (.240") (34 Teeth) 1990-03	1	
76146BB.....	Pressure Plate, AOD/AODE/4R70W Direct Clutch (.380") (34 Teeth) 1990-03	1	
76146C	Pressure Plate, AOD Direct Clutch (.128") (28 Teeth) (Commercial) 1980-89.....	1	
76148.....	Pressure Plate, AOD Forward Clutch 1980-89	1	E0AZ-7B066-C
76148A	Pressure Plate, AOD/AODE/4R70W/4R75W/4R70E/4R75E Forward Clutch 1990-Up.....	1	F0SZ-7B066-B
76150.....	Pressure Plate, AOD Reverse Clutch (54 Teeth) Top 1980-89	1	
76150A	Pressure Plate, AOD/AODE/4R70W/4R75W/4R70E/4R75E Reverse Clutch Top (.200" Thick) (34 Teeth) 1990-Up	1	F2TZ-7B066-A
76150B	Pressure Plate, AOD/AODE/4R70W/4R75W/4R70E/4R75E Reverse Clutch Top (.325" Thick) (34 Teeth) 1990-Up	1	
76150C	Pressure Plate, AOD/AODE/4R70W/4R75E/4R70E/4R75E Reverse Clutch (Top) (.345" Thick) (34 Teeth) 1990-Up	1	
76150E	Pressure Plate, AOD/AODE/4R70W/4R75W/4R70E/4R75E Reverse Clutch (Top)(.400" Thick) (34 Teeth) 1990-Up	1	

76151.....	Pressure Plate, AOD Reverse Clutch (54 Teeth) Bottom (Beveled) 1980-89	1	E0AZ-7B066-B
76151A	Pressure Plate, AOD/AODE/4R70W/4R75E/4R70E/4R75E Reverse Clutch (34 Teeth) Bottom (Beveled) 1990-Up.....	1	F2TZ-7B066-B

PART #	VALVE BODY KITS	QTY.	REFERENCE #
S76165	Shift Correction Package, AOD 1980-93 (Superior).....	1	KAOD
T76165	Shift Kit, AOD 1979-93 (Transgo).....	1	SK@ AOD
S76165E	Shift Correction Package, AODE/4R70W 1992-00 (Superior)	1	KAOD-E
T76165E	Shift Kit, AODE/4R70W 1991-07 Transgo)	1	SK@ AODE
S76165ES	Valve Body Kit, AODE/4R70W (W/Steel Boost Valve & Sleeve) 1991-07 (Superior).....	1	KAOD-E-V
S76165K.....	Shift Correction Package, AOD W/Boost Valve & Sleeve 1980-93 (Superior)	1	KAOD-V
A76169	Valve Body Kit, AOD 2 Stage Pac 1981-Up (Fairbanks).....	1	23001-2
S76171	Shift Correction Package, AOD (High Performance) 1980-93 (Superior)	1	KAOD-HP
T76171	Reprogramming Kit, AOD High Performance 1983-93 (Heavy Duty & High Performance)(Holds 1st/2nd/3rd To Any RPM)	1	
T76171E	Reprogramming Kit, AODE High Performance	1	
T76173E	Reprogramming Kit, AODE 1991-Up Full Manual Control Stick Shift	1	

PART #	OIL SEALING RINGS	QTY.	REFERENCE #
76175A	Ring Kit, AOD (Metal With Seal Plated Governor Rings) 1980-93.....	1	
76175AA.....	Ring Kit, AOD (Without Chrome Rings) (Metal) 1980-93	1	
76175E	Ring Kit, AODE/4R70W 1992-03	1	
76175G.....	Ring Kit, 4R70W/4R75W/4R70E/4R75E 2004-Up.....	1	
76177ET	Ring, AODE/4R70W/4R75W/4R70E/4R75E Input Shaft (1.130"OD) Scarf Cut (Teflon) 1992-Up.....	2	F2VY-7B497-A
76177EAT	Ring, AODE/4R70W/4R75W/4R70E/4R75E Input Shaft (1.130"OD) Solid (Teflon) 1992-Up.....	2	
54177DBT	Ring, 4R70W/4R75W/4R70E/4R75E Direct Clutch 1996-Up (Updated) (Teflon, Solid)	2	
76179.....	Ring, AOD/AODE/4R70W/4R75W/4R70E/4R75E Stator (Reverse Clutch) 2.624"OD (Metal) 1980-Up	2	E0AZ-7D020-A
76179T	Ring, AOD/AODE/4R70W/4R75W/4R70E/4R75E Stator (Reverse Clutch) 2.624"OD (Teflon) 1980-Up	2	
76180.....	Ring, AOD/AODE/4R70W Output Shaft (Direct Clutch) .914"OD (Metal) 1980-95.....	2	E3AZ-7F274-A
76180T	Ring, AOD/AODE/4R70W Output Shaft (Direct Clutch) .914"OD (Teflon) (Scarf Cut) 1980-95.....	2	E3AZ-7F274-A
76181.....	Ring, AOD Stator (Forward Clutch) 2.374"OD (Metal) 1980-92.....	2	E0AZ-7D019-A
76181E	Ring, AODE/4R70W Stator (Forward Clutch) 2.374"OD (Metal, Hardened) 1993-03.....	2	F4AZ-7D019-A
76181G.....	Ring, 4R70W/4R75W/4R70E/4R75E Stator (Forward Clutch) 2.374"OD (Teflon) 2004-Up.....	2	
76189.....	Ring, AOD/AODE/4R70W/4R75W/4R70E/4R75E Output Shaft To Case 1.752"OD (Metal, Cast Iron) 1980-Up	3-4	E0AZ-7F273-A
76189A	Ring, AOD/AODE/4R70W/4R75W/4R70E/4R75E Output Shaft To Case 1.752"OD (Metal, Seal Plated) 1980-Up	3-4	E6AZ-7F273-A
76191.....	Ring, AOD 2-3 Accumulator (Upper) 1.223"OD (Metal) 1980-Up (Rubber Is 76352)	1	
76191T	Ring, AOD/AODE 2-3 Accumulator (Upper) 1.223"OD (Teflon) 1980-86	1	E0AZ--7F273-A
76191AT	Ring, AOD/AODE 2-3/3-4 Accumulator (Lower) 1.994"OD (Teflon) 1980-Up (Also Fits 1-2 (Lower)	2-3	E0AZ-7F249-A
76192T	Ring, AOD 3-4 Accumulator 1.596"OD (Teflon) 1980-Up & AODE 1-2 (Upper) (Rubber Is 76352)	1-2	E0AZ-7F248-A

PART #	WASHERS & BEARINGS	QTY.	REFERENCE #
76200.....	Washer Kit, AOD/AODE/4R70W/4R75W/4R70E/4R75E 1980-Up (Contains 5 Pump Selective Washers Only).....	1	
76201A	Bearing Kit, AOD (Torrington) (7 Pieces) 1980-E92.....	1	
76201E	Bearing Kit, AODE (Torrington) (8 Pieces) 1992-95.....	1	
76201EA.....	Bearing Kit, 4R70W (Torrington) (7 Pieces) 1993-96.....	1	
76201G.....	Bearing Kit, 4R70W/4R75W/4R70E/4R75E (Torrington) 2003-Up	1	
76211	Washer, AOD/AODE/4R70W/4R75W/4R70E/4R75E Stator (.052") #1 (Green) 1980-Up.....	1	E0AZ-7D014-A
76211A.....	Washer, AOD/AODE/4R70W/4R75W/4R70E/4R75E Stator (.070") #2 (Yellow) 1980-Up.....	1	E0AZ-7D014-B
76211B	Washer, AOD/AODE/4R70W/4R75W/4R70E/4R75E Stator (.087") #3 (Brown) 1980-Up.....	1	E0AZ-7D014-C
76211C	Washer, AOD/AODE/4R70W/4R75W/4R70E/4R75E Stator (.104") #4 (Red) 1980-Up	1	E0AZ-7D014-D
76211D	Washer, AOD/AODE/4R70W/4R75W/4R70E/4R75E Stator (.121") #5 (Blue) 1980-Up.....	1	E0AZ-7D014-E
76229.....	Bearing W/Race, AOD Direct Drum To Rear Ring Gear Hub 1980-93	1	E0AZ-7F240-A
76229B	Bearing W/Races, AODE/4R70W Direct Drum (Rear) .135" Thick (2.620"OD) 1992-03.....	1	F1AZ-FF240-A
76229H.....	Bearing W/Races, 4R70W/4R75W/4R70E/4R75E Direct Drum (Rear) .135" Thick (2.665"OD) 2003-Up (Retro Fits 76229B)	1	3C3Z-7F240-AA
76232.....	Use 36238A.....	1	E9TZ-7D2234-A
76235.....	Bearing W/Races, AOD/AODE/4R70W Sun Shell (Front)(2.200"OD)(.129" Thick) 1980-03 (Also Fits AOD Sun Shell Rear # 244 1980-93)(Can Use 76235H)	1-2	E0AZ-7C096-A
76235H.....	Bearing W/Races, 4R70W/4R75W/4R70E/4R75E Sun Shell (Front) (2.310"OD) 2004-Up (Will Retro Fit 1980-Up)	1-2	3L3Z-7C096-AA
36238A	Bearing W/Races, AOD/AODE/4R70W/4R75W/4R70E/4R75E Forward Drum To Hub 1980-Up	2	E9TZ-7D2234-A

AOD / AODE / 4R70W / 4R75W / 4R70E / 4R75E

RWD 4 Speed

PART #	WASHERS & BEARINGS (Continued)	QTY.	REFERENCE #
76244A	Bearing, AOD Sun Shell (Rear) 1980-93 (Use 76235)	1	E0AZ-7C096-A
76244B	Bearing W/Races, AODE/4R70W Sun Shell (Rear) (2.040"OD) (.169" Thick) 1992-00	1	F3LY-7F244-A
76244C	Bearing W/1 Race, 4R70W/4R75W/4R70E/4R75E Sun Shell (Rear) (.145" Thick) 2001-Up		
	(Uses A Seperate Race # 76224CA On The Back)	1	3L3Z-7D234-AA
76244CA	Race, 4R70W/4R75W/4R70E/4R75E Sun Shell (Rear) (.058" Thick) (1.457"ID) 2001-Up (Goes With # 76244C Bearing)	1	3L3Z-7D235-AA
76247	Bearing, AOD/AODE/4R70W Rear Planet (Inside Planet) 1980-Up (Use 76251)	1	E0AZ-7F243-A
76247A	Washer, AOD Rear Planet (Bronze) Bearing Replacement 1980-Up	1	
76251	Bearing W/Races, AOD/AODE/4R70W Direct Drum To Hub (.185" Thick)(28 Needles) 1980-03	1-2	E0AZ-7F243-A
76251H	Bearing W/Races, 4R70W/4R75W/4R70E/4R75E Direct Drum To Hub (.185" Thick)(20 Needles) 2004-Up	1	
76252	Race, AOD Direct Drum To Hub 1980-93	1	E0AZ-7F237-A
76252B	Race, AODE/4R70W/4R75W/4R70E/4R75E Direct Drum To Hub 1992-Up	1	F4AZ-7F237-A
76257	Washer, AOD Reverse Drum To Forward Drum 1980-84	1	E0AZ-7A166-A
76257A	Bearing, AOD/AODE/4R70W/4R75W/4R70E/4R75E Reverse Drum To Forward Drum 1983-Up	1	E1TZ-7A166-A
76260	Bearing W/Race, AOD Rear Ring Gear Support To Case 1980-92	1	E0AZ-7F242-A
76260A	Bearing W/Race, AODE/4R70W Rear Ring Gear Support To Case (3.435"OD) 1992-03 (Use 76260H)	1	F3LY-7F242-A
76260H	Bearing W/Race, 4R75W/4R70E/4R75E Rear Ring Gear Support To Case (3.115"OD) 2004-Up (Retro Fits To 1992)	1	3L3Z-7F242-AA

PART #	GASKETS & RUBBER COMPONENTS	QTY.	REFERENCE #
76300	Gasket, AOD Pan 1980-93 (Cork)	1	E0AZ-7A191-A
76300F	Gasket, AOD Pan 1980-93 (Farpak)	1	
76300E	Gasket, AODE/4R70W/4R75W/4R70E/4R75E Pan 1992-Up (Cork)	1	F2VY-7A191-A
76300EF	Gasket, AODE/4R70W/4R75W/4R70E/4R75E Pan 1992-Up (Farpak)	1	
76300EW	Gasket, AODE/4R70W/4R75W/4R70E/4R75E Pan 1992-Up (Bonded)	1	
76305	Gasket, AOD/AODE Extension Housing 1980-95	1	E0AZ-7086-A
76305G	Gasket, 4R70W/4R75W/4R70E/4R75E Extension Housing (Silicone Beaded) 1993-08	1	F6AZ-7086-A
76310	Gasket, AOD Pump 1980-93	1	E3SZ-7A136-A
76310A	Gasket, AODE/4R70W/4R75W/4R70E/4R75E Pump 1992-Up	1	F2VY-7A136-A
76311	O-Ring, AOD/AODE/4R70W/4R75W/4R70E/4R75E Pump 1980-Up	1	E0AZ-7A248-A
76320	Gasket, AOD Valve Body (Upper) 1980-93	1	E0AZ-7C099-B
76320E	Gasket, AODE/4R70W Valve Body (Upper) (Yellow) 1992-95	1	F2VY-7C155-A
76320EA	Gasket, 4R70E/4R75W/4R70W/4R75E Valve Body (Upper) 1996-Up	1	F7AZ-7C155-AA
76321	Gasket, AOD Valve Body To Plate (Lower) 1980-89	1	E9AZ-7D100-A
76321B	Gasket, AOD Valve Body To Plate (Lower) 1990-93	1	F0AZ-7D100-A
76321E	Gasket, AODE Valve Body To Plate (Lower) 1992-95	1	F3LY-7D100-A
76321EA	Gasket, 4R70W Valve Body To Plate (Lower) (White Stripe) 1996-00	1	F7AZ-7D100-AA
76321EB	Gasket, 4R70W/4R75W/4R70E/4R75E Valve Body To Plate (Lower) (Blue Stripe) 2001-Up	1	
76322E	Gasket, AODE Valve Body To Valve Body Cover Plate 1992-95	1	F2VY-7H173-A
76322EA	Gasket, 4R70W/4R75W/4R70E/4R75E Valve Body To Cover 1996-Up	1	F6AZ-7H173-A
76326	Gasket, AOD Filter 1980-93	1	E0AZ-7E062-A
76332	Lip Seal, AOD/AODE/4R70W Intermediate Clutch (Inner) 1980-03	1	E0AZ-7F225-A
76333	Lip Seal, AOD/AODE/4R70W Intermediate Clutch (Outer) 1980-03	1	E0AZ-7F224-A
76334	Lip Seal, AOD/AODE/4R70W/4R75W/4R70E/4R75E Forward Clutch (Inner) 1980-Up	1	E0AZ-7C099-A
76335	Lip Seal, AOD/AODE/4R70W/4R75W/4R70E/4R75E Forward Clutch (Outer) 1980-Up	1	E0AZ-7A548-A
76336	Lip Seal, AOD/AODE/4R70W/4R75W/4R70E/4R75E Direct Clutch (Inner) 1980-Up	1	E0AZ-7C099-B
76337	Lip Seal, AOD/AODE/4R70W/4R75W/4R70E/4R75E Direct Clutch (Outer) 1980-Up	1	E0AZ-7A548-B
76338	Lathe Cut Seal, AOD/AODE/4R70W/4R75W/4R70E/4R75E Reverse Clutch (Inner) 1980-Up	1	E0AZ-7D404-A
76339	Lathe Cut Seal, AOD/AODE/4R70W/4R75W/4R70E/4R75E Reverse Clutch (Outer) 1980-Up	1	E0AZ-7D403-A
76352E	O-Ring, AODE 1-2 Accumulator (Small) 1992-96	1	
76352EA	O-Ring, AODE 1-2 Accumulator (Large) 1992-96	1	
76352K	O-Ring Kit, AOD Accumulator O-Rings & Metal Rings Kit	1	
76354	O-Ring, AOD 3-4 Accumulator Cover 1980-92 (Also Fits AODE 1-2 Accumulator Cover 1992-96)	1-2	E0AZ-7F294-A
76360	O-Ring, AODE 1-2 Accumulator Cover 1992-96 (Use 76354)	1	
76367	Lathe Cut Seal, AOD/AODE/4R70W/4R75W/4R70E/4R75E Overdrive Servo Cover 1980-Up	2	E0AZ-7D026-A
76367A	O-Ring, AOD Overdrive Servo Piston (1.937") 1980-93	1	E0AZ-7D024-A
76367AA	O-Ring, AOD Overdrive Servo Piston (2.250") 1980-93	1	E0AZ-7D024-B
76367AB	O-Ring, AOD Overdrive Servo Piston (2.437") 1989-93	1	E9SZ-7D024-A
44371A	O-Ring, AOD/AODE/4R70W Filler Tube 1980-Up	1	6264902
76374	O-Ring, AOD/AODE/4R70W Output Shaft To Yoke 1980-Up	1	
76377	O-Ring, AOD Neutral Safety Switch 1980-93	1	87009-S100
T76378V	O-Ring, AOD/AODE/4R70W/4R75W/4R70E/4R75E Cooler Line (Viton) Push In Type (5/16" Line) (Teckpak)	1	

76379.....	Boot, AOD Filter To Case 1980-93.....	1.....	
76379A.....	Seal, AODE/4R70W Filter To Case 1992-Up.....	1.....	
76390.....	External Seal Kit, AOD 1980-Up.....	1.....	
76390E.....	External Seal Kit, AODE/4R70W/4R75W/4R70E/4R75E (Cork) 1992-Up.....	1.....	

PART #	TECHNICAL MANUALS	QTY.	REFERENCE #
76400.....	Technical Manual, AOD 1980-93.....	1.....	83-AODTM
76400E.....	Technical Manual, AODE 1992-Up.....	1.....	83-AODETM
76400EA.....	Tech Manual, 4R70W (Update Hand Book) (ATSG).....	1.....	
76407A.....	Technical Video, AODE With Manual.....	1.....	83-SGVT-24

PART #	ELECTRICAL COMPONENTS	QTY.	REFERENCE #
56410A.....	Switch, AOD Neutral Safety (4 Prong) 1980-89.....	1.....	D6RY-7A247-B
76410B.....	Switch, AOD Neutral Safety (4 Pin) 1990-93.....	1.....	FOVY-7A247-A
76410E.....	Switch, AODE Neutral Safety (8 Pin) 1992-97.....	1.....	F5AZ-7A247-A
76410EA.....	Switch, 4R70W Neutral Safety (11 or 12 Pin) 1997-03 (Except Crown Victoria & Grand Marque).....	1.....	F7LZ-7F293-AB
76410EB.....	Switch, 4R70W Neutral Safety (11 or 12 Pin) 1997-03 (Crown Victoria & Grand Marque).....	1.....	
76410H.....	Switch, 4R70W/4R75W/4R70E/4R75E Neutral Safety (11 Pin) 2004-Up.....	1.....	
76416A.....	Shudder Fix, AODE TC (Circuit Board) 1992-97 (ATG).....	1.....	76918-SF
T76420.....	Shift Solenoid Pack, AODE Dual Solenoid 1992-Up (Teckpak).....	1.....	
T76420K.....	Solenoid Master Kit, AODE 1992 (Teckpak).....	1.....	MS-AODE
T76420AK.....	Solenoid Master Kit, AODE L1995-97 (Contains: 1 Shift Pack, 1 Lock-Up, 1 Pressure Regulator Solenoid) (Teckpak).....	1.....	MS-AODE-95
76421.....	Solenoid, AODE/4R70W Shift (Dual Pack) 1992-97.....	1.....	F5AZ-7G484-A
76421A.....	Solenoid, 4R70W/4R75W/4R70E/4R75E Shift (Dual) 1998-Up.....	1.....	F8AZ-7G484-AB
T76425.....	Solenoid, AODE/4R70W Lock-Up Solenoid 1992-E95 (Teckpak).....	1.....	
76425B.....	Solenoid, AODE/4R70W Lock-Up (TCC) (PWM) (Black Or Red Connector) 1992-E95.....	1.....	F2VP-7G136-AC
76425BA.....	Solenoid, AODE/4R70W Lock-Up (TCC) (PWM) (White Connector) (Cast # F5AP) L1995-97.....	1.....	F5AZ-7G136-AA
76425BB.....	Solenoid, 4R70W/4R75W/4R70E/4R75E Lock-Up (TCC) 1998-Up.....	1.....	F8AZ-7G136-AA
76425C.....	Solenoid, 4R70W/4R70E/4R75W/4R75E Lock-Up (TCC)(Software) 2008-Up.....	1.....	
76431.....	Solenoid, AODE/4R70W EPC (Electronic Pressure Control) 1992-97.....	1.....	F6AZ-7G383-AA
76431A.....	Solenoid, 4R70W/4R75W/4R70E/4R75E EPC (Electronic Pressure Control)(With Green Or Red Connector) 1998-04.....	1.....	F8AZ-7G383-AA
76431B.....	Solenoid, 4R70W/4R75W/4R70E/4R75E EPC (Electronic Pressure Control) (With Tan Or Yellow Connector) 2001-04.....	1.....	XL3Z-7G383-AB
76431C.....	Solenoid, 4R70W/4R75W/4R70E/4R75E EPC 2005-08 (With Tan Or Yellow Connector, This Replaces The Black Connector).....	1.....	5C2Z-7G383-AB
76431D.....	Solenoid, 4R70W/4R75W/4R70E/4R75E EPC 2009-Up.....	1.....	
76436A.....	Sensor, AODE/4R70W Output Speed (With 2 O-Rings) 1992-00.....	1.....	F4AZ-7H103-A
76436B.....	Sensor, 4R70W/4R75W/4R70E/4R75E Output Speed (With 1 O-Ring) 2001-03.....	1.....	XR3Z-7H103-AA
76436C.....	Sensor, 4R75W/4R70E/4R75E Output Speed 2004-Up.....	1.....	
86437.....	Sensor, AODE/4R70W Transmission Oil Temperature 1992-97.....	1.....	F1DZ-7H141-A
76438A.....	Sensor, 4R70W/4R75W/4R70E/4R75E Turbine Shaft Speed (With 1 O-Ring) 2004-Up.....	1.....	3L3Z-7M101-AA
76444A.....	Connector, 4R70W/4R75W/4R70E/4R75E Case 1998-Up.....	1.....	F8AZ-7G276-AA
86445EBK.....	Repair Kit, 4R70W External Wire Harness (Rostra).....	1.....	
76446A.....	Wire Harness, AODE/4R70W Internal With 9 Pin Connector 1992-97.....	1.....	F2VY-7G276-A
76446E.....	Wire Harness, 4R70W/4R75W/4R70E/4R75E Internal 1998-Up (Black Plastic Enclosed Circuit Board With Connectors)(With TOT Sensor).....	1.....	
76446F.....	Wire Harness, 4R70E/4R75E/4R70W/4R75W Internal 2008-Up (Soft Wire)(Black Connector).....	1.....	F8AZ-7G276-BA
86445ECK.....	Repair Kit, AXOD/AXODE/AX4N Speed Sensor Wire Harness Connector (Fits 36438, 36774D, 86774B, 86774C, 86774H, F85Z-2L373AB).....	1.....	
F85Z-2L373AB.....	Speed Sensor, Rear Axle Housing (Output Speed) 1990-97 Aerostar, 1990 Bronco II, 1990-06 E-150/250/350, 1990-03 F-150, 1991-01 Expedition/Mountaineer, 1990-99 F250, 1999-04 SD F250-F450, 2000-06 Excursion, 1990-03 Ranger, 2000-01 Sportrac, 1997-02 Expedition.....	1.....	
76447.....	Interceptor, AODE Adjustable Electronic Modulator (External) Allows TCC & Line Pressure To Be Fine Tuned.....	1.....	INT 76 A
76449.....	E Place, AODE Electronic Controller Kit (ATG).....	1.....	EP76-A

PART #	MISC. COMPONENTS	QTY.	REFERENCE #
M462F.....	Union, 5/16".....	1.....	
76483.....	Pin, AODE (Oversize) Under #691 Sleeve Blocks Off Governor Oil Not Needed On AODE.....	1.....	
26487.....	Grommet, AOD Linkage Grommet (5/16"ID).....	1.....	D4AZ-7341-A
26487A.....	Grommet, AOD Linkage Grommet (5/8"ID).....	1.....	
76487A.....	Bushing, AOD Carburetor-End Of T.V. Rod (Steel Replacement Bushing).....	1.....	F3SZ-7H303-B
76487AK.....	Bushing, AOD Carburetor-End Of T.V. Rod (Steel Replacement Bushing) (3 Per Pack).....	1.....	

AOD / AODE / 4R70W / 4R75W / 4R70E / 4R75E

RWD 4 Speed

PART #	MISC. COMPONENTS (Continued)	QTY.	REFERENCE #
26487B	Grommet, AOD Passing Gear Grommet (Narrow Groove) Green	1	E0AZ-7F330-A
26487BA	Grommet, AOD Passing Gear Grommet (Wide Groove) Black	1	
26487BW	Grommet, AOD/AODE/4R70W Passing Gear (Narrow Groove) Yellow	1	
26487C	E-Clips, AOD Linkage	1	
T76496	Cooler Line Repair Kit, AOD (Teckpak)	1	E3AZ-7D273-A
T76496C	Retaining Clip, AOD/AODE/4R70W Cooler Line Fitting (Plastic, Push In Type) Ford (Teckpak)	1	
T76496K	Kit, O-Ring Installation (Cooler Line, Ford) (Teckpak)	1	
44497-1	Detent Cable End, AOD Teardrop Style Connector (This Is The OE Style (No Slot) Cable Must Be Crimped)	1	

PART #	HARD PARTS	QTY.	REFERENCE #
76500	Pump, AOD 1980-93	1	
76500A	Pump, AODE 1992-94 (.568" Pump Gears) (Can Use 76500B)	1	
76500B	Pump, AODE/4R70W (.608" Pump Gears)(Uses An Aluminum Intermediate Piston) 1995-03	1	
76500H	Pump, 4R70W/4R75W/4R70E/4R75E (.608" Gears)(Uses A Bonded Intermediate Piston) 2004-Up	1	3L3Z-7A103-AA
76500HA	Pump, 4R70W/4R75W/4R70E/4R75E (.655" Gears)(Uses A Bonded Intermediate Piston) 2006-Up	1	
76510	Pump Body, AOD (Cast Iron) 1980-93	1	E0AZ-7A103-A
76510A	Pump Body, AODE (Aluminum) 1992-94 (.568" Gears) (Can Use 76510B)	1	F2AZ-7A103-A
76510B	Pump Body, AODE/4R70W (Aluminum) (.608" Gears) (Uses Aluminum Intermediate Piston) 1995-03	1	
76510G	Pump Body, 4R70W/4R75W/4R70E/4R75E (.608" Gears)(Uses A Bonded Intermediate Piston) 2004-Up	1	
76510GA	Pump Body, 4R70W/4R75W/4R70E/4R75E (.655" Gears)(Uses A Bonded Intermediate Piston) 2006-Up	1	
76520	Stator, AOD Pump 1980-93	1	E0AZ-7A108-A
76520A	Stator, AODE Pump 1992-94 (Can Use 76520B)	1	F4AZ-7A108-A
76520AC	Stator, AODE Conversion	1	
76520B	Stator, 4R70W Pump (Uses Metal Rings #181) 1995-03	1	
76520G	Stator, 4R70W/4R75W/4R70E/4R75E Pump (Uses Teflon Rings #181) 2004-Up	1	3L3Z-7A108-AA

PART #	PUMP COMPONENTS	QTY.	REFERENCE #
S76507S	Stator Support Sleeve, AOD/AODE/4R70W Prevents Converter Release Leakage (Sonnax)	1	76204-01
36530	Gear Set, AOD Pump 1980-93	1	C6AP-7C010-B
76530A	Gear Set, AODE Pump (.569" Thick) 1992-94	1	
76530B	Gear Set, AODE/4R70W/4R75W/4R70E/4R75E Pump (.608" Thick) 1995-Up	1	

PART #	HARD PARTS (Continued)	QTY.	REFERENCE #
76554K	Drum, AOD Forward With Hollow Input Shaft (5 Clutch) Cast Iron 1980-93 (Input Shaft Has A Bushing Inside Front)	1	E4AZ-7F207-A
76554AK	Drum, AOD Forward With Hollow Input Shaft (5 Clutch) Stamped Steel 1989-93 (Input Shaft Has A Bushing Inside Front)	1	F0SZ-7F207-A
76554BK	Drum, AOD Forward With Hollow Input Shaft (4 Clutch) Cast Iron 1980-93 (Input Shaft Has A Bushing Inside Front)	1	
76554CK	Drum, AODE/4R70W/4R75W/4R70E/4R75E Forward With Solid Shaft (5 Clutch) (Stamped Steel) 1992-Up	1	E4AZ-7F207-B
76555	Drum, AOD Direct (3 Clutch) (Cast Iron) 1980-81	1	
76555A	Drum, AOD Direct (3 Clutch) (Cast Iron) 1982-93	1	
76555B	Drum, AOD Direct (4 Clutch) (Cast Iron) 1980-81	1	
76555BA	Drum, AOD Direct (4 Clutch) (Cast Iron) 1982-93	1	
76555BB	Drum, AOD/AODE/4R70W Direct Clutch (4 Clutch) (Stamped Steel) 1989-98 (Use 76555D)	1	
76555CA	Drum, AOD Direct (5 Clutch) (Cast Iron) 1982-93	1	F2AZ-7F283-B
76555CB	Drum, AOD Direct (6 Clutch) (Cast Iron) 1982-93	1	
76555D	Drum, AODE/4R70W/4R75W/4R70E/4R75E Direct (4 or 6 Clutch) (Stamped Steel) 1989-Up (The 6 Clutch Uses A 76146A Pressure Plate)	1	
76555DK	Drum Kit, AOD/AODE/4R70W/4R75W/4R70E/4R75E Direct (6 Clutch) (Stamped Steel) 1989-Up (Contains: Drum, Piston Kit, Frictions, Steels & Pressure Plate)	1	F2AZ-7F283-A
76556	Drum, AOD Reverse W/Out Sprag (4 Clutch) Uses A Washer # 257 (Cast Iron) 1980-E83	1	E0WY-7D044-B
76556K	Drum, AOD Reverse With Sprag (4 Clutch) Uses A Washer # 257 (Cast Iron) 1980-E83	1	
76556A	Drum, AOD Reverse W/Out Sprag (4 Clutch) Uses A Bearing # 257 (Cast Iron) L1983-93 (Can Use 76556AAK)	1	E2AZ-7D044-B
76556AK	Drum, AOD Reverse With Sprag (4 Clutch) Uses A Bearing # 257 (Cast Iron) L1983-93 (Can Use 76556AAK)	1	
76556AAK	Drum, AOD Reverse With Sprag (4 Clutch) Uses A Bearing # 257 L1983-93 (Contains: A 3 Clutch Drum With Machined Pressure Plate & Snap Ring Groove)	1	

76556BDrum, AOD Reverse W/Out Sprag (3 Clutch) Uses A Washer # 257 (Cast Iron) 1980-E831E2AZ-7D044-A
76556BKDrum, AOD Reverse With Sprag (3 Clutch) Uses A Washer # 257 (Cast Iron) 1980-E831
76556CDrum, AOD Reverse W/Out Sprag (3 Clutch) Uses A Bearing # 257 (Cast Iron) L1983-931E5TZ-7D044-C
76556CKDrum, AOD Reverse With Sprag (3 Clutch) Uses A Bearing # 257 (Cast Iron) L1983-931
76556DDrum, AODE Reverse W/Out 7 Roller Sprag (4 Clutch) (Stamped Steel) 1992-951F4AZ-7D044-A
76556DKDrum, AODE Reverse With 7 Roller Sprag (4 Clutch) (Stamped Steel) 1992-951
76556EDrum, 4R70W Reverse W/Out 14 Roller Sprag (4 Clutch) (Stamped Steel) 1995-971F3LY-7D044-A
76556EKDrum, 4R70W Reverse With 14 Roller Sprag (4 Clutch) (Stamped Steel) 1995-971
76556GDrum, 4R70W/4R75W/4R70E/4R75E Reverse W/Out Diode Sprag 1998-Up (3 or 4 ClutchAccording to Pressure Plate Used) (Stamped Steel) (Has 14 Splines On Drum Where Diode InnerRace Rides)1F8AZ-7D044-AA
76556GKDrum, 4R70W/4R75W/4R70E/4R75E Reverse With Diode Sprag 1998-Up (3 or 4 ClutchAccording to Pressure Plate Used) (Stamped Steel) (Has 14 Splines On Drum Where DoideInner Race Rides)1
76556HDrum, 4R70W/4R75W/4R70E/4R75E Reverse (Without Diode Sprag) 1998-Up (3 Or 4 ClutchAccording To Pressure Palte Used)(Stamped Stel)(Has 78 Splines On Drum Where Diode InnerRace Rides)1
76556HKDrum, 4R70W/4R75W/4R70E/4R75E Reverse (With Diode Sprag) 1998-Up (3 Or 4 ClutchAccording To Pressure Palte Used)(Stamped Steel)(Has 78 Splines On Drum Where DiodeInner Race Rides)1
76562Piston Kit, AOD/AODE/4R70W Intermediate Clutch (Aluminum) 1980-031
76562HPiston Kit, 4R70W/4R75W/4R70E/4R75E Intermediate Clutch (Bonded) 2004-Up1
76564Piston Kit, AOD Forward Clutch 1980-931
76564APiston Kit, AODE Forward Clutch (1.050" Overall Thickness) (No Cast #) 1992-951
76564BPiston Kit, 4R70W/4R75W/4R70E/4R75E Forward Clutch (1.020" Overall Thickness)(Cast # RFF6) 1995-Up1
76565Piston Kit, AOD Direct Clutch (Cast Iron Drum) (Check Ball Is Staked In Piston, NoMetal Retainer) (Can Use 76565A) 1980-931
76565APiston Kit, AOD Direct Clutch (Cast Iron Drum) (Has A Metal Check Ball Retainer) 1980-931
76565BPiston Kit, AOD/AODE/4R70W/4R75W/4R70E/4R75E Direct Clutch (Stamped Steel Drum)1989-Up1
76566Piston Kit, AOD Reverse Clutch (.414") 1980-931
76566APiston Kit, AODE/4R70W/4R75W/4R70E/4R75E Reverse Clutch (.494") 1992-Up1
76574Clutch Hub, AOD Forward Clutch 1980-931E0AZ-7B067-A
76574AClutch Hub, AODE/4R70W/4R75W/4R70E/4R75E Forward Clutch 1992-Up1F2AZ-7B067-A
76575AClutch Hub, AOD Direct Clutch (Cast #AA) 1980-821E0AZ-7F236-A
76575AAClutch Hub, AOD/AODE/4R70W/4R75W/4R70E/4R75E Direct Clutch (Cast #AB) 1983-Up1E0AZ-7F236-B
76583HAPlanet Kit, 4R70W/4R75W/4R70E/4R75E (Top Cover Is 5.115"OD And Is Welded On) 2004-Up(Contains: 76624HA, 594C, 244C, 244CA, 612A, 584H)1
76584Planet, AOD 1980-82 (Use 76584A)1
76584APlanet, AOD/AODE (Top Cover Is 4.750"OD) 1983-UP1E6AZ-7A398-A
76584BPlanet, AODE/4R70W (Top Cover Is 4.845"OD & Rivited On) (25 Teeth On Long Gears)1992-031F2AZ-7A398-A
76584HPlanet, 4R70W/4R75W/4R70E/4R75E (Top Cover Is 5.115"OD & Is Welded On) 2004-Up(Will Retro Fit The 76584B)(Can Use 76584B)1
76594Ring Gear, AOD Planet (72 Teeth No Holes) 1980-831E0AZ-7A153-A
76594ARing Gear, AOD/AODE Planet (72 Teeth With Holes) 1983-951F2AZ-7A153-A
76594BRing Gear, AODE/4R70W (88 Teeth With Holes) (Park Lugs Are 15/16" Long) 1992-Up1F3AZ-7A153-A
76594CRing Gear, 4R70W/4R75W/4R70E/4R75E (88 Teeth No Holes)(Park Lugs Are 1 5/8" Long)2004-Up13L3Z-7A233-BA
76604Hub, AOD Ring Gear (5.380"OD) (Bearing #229 Has 1 Race) 1980-911E0AP-7D164-A
76604AAHub, AOD/AODE Ring Gear (5.380"OD) (Bearing # 229 Has 2 Races) 1992-951
76604CHub, AODE/4R70W/4R75W/4R70E Ring Gear (5.160"OD) 1992-Up1F3LY-7D164-B
76612Sun Gear, AOD/AODE Forward (30 Teeth) 1980-951E0AZ-7A399-A
76612ASun Gear, AODE/4R70W Forward (31 Teeth, 1.177" Thick Gear (No Groove On Splines)(Uses A 1 Piece Bearing # 244B) 1992-001F3LY-7A399-A
76612HSun Gear, 4R75W/4R70E/4R75E Forward (31 Teeth, 1.167" Thick Gears)(1 Groove On Splines)(Uses A 2 Piece Bearing #244C & 244CA) 2001-Up1
76624Shell W/Sun Gear, AOD (36 Teeth) (4 3/8" Tall) (Use With Cast Iron Reverse Drum) 1980-931E0AZ-7A019-A
76624AShell W/Sun Gear, AOD/AODE (36 Teeth) (4 1/8" Tall) (Use With Stamped Steel ReverseDrum) 1989-971F2AZ-7A019-A
76624BShell W/Sun Gear, AODE/4R70W (38 Teeth) (2.058" Thick) 1992-00 (The 2.058" Thick IsFrom Where Bearing #235 To Bearing #244 Rides)1
76624CShell W/Sun Gear, 4R70W (38 Teeth) Made With Ferrous Metal 2001-03 (2.023" Thick FromWhere Bearing #235 TO Bearing #244 Rides)1
76624CKShell W/Sun Gear Kit, 4R70W (38 Teeth) (With #624, 244 & 612) 2001-03 (Made Of FerrousMetal) (Will Retro Fit All AODE 38 Teeth 1992-03)14L3Z-7D234-AA

FORD

PART #	HARD PARTS (Continued)	QTY.	REFERENCE #
76624H	Shell W/Sun Gear, 4R70W/4R75W/4R70E/4R75E (38 Teeth) 2004 (With 8 Rivets On Inside Front) Non Ferrous Metal (Non Magnetic)	1	
76624HA	Shell W/Sun Gear, 4R70W/4R75W/4R70E/4R75E (38 Teeth) 2005-Up (No Rivets) Non Ferrous Metal (Non Magnetic) Retro Fit 2004	1	5L3Z-7A019-AB
76630	Center Support, AOD/AODE/4R70W (With 6 Outer Lugs) 1980-03	1	E0AZ-7A130-A
76630H	Center Support, 4R70W/4R75W/4R70E/4R75E (With 5 Outer Lugs) 2004-Up	1	
76638E	Anti-Rattle Clip, 4R70W/4R75W/4R70E/4R75E (Sets Between The Case And The Intermediate Steels And Pressure Plate) 2004-Up	1	
76639	Spring, AOD/AODE/4R70W Anti-Clunk (Round Type) 1980-03	1	F5AZ-7F277-AA
76639H	Spring, 4R70W/4R75W/4R70E/4R75E Anti-Clunk (Horse Shoe Type) 2004-Up	1	2L3Z-7F277-AA

PART #	SPRAGS & ONE WAY CLUTCHES	QTY.	REFERENCE #
76652	Sprag, AOD/AODE Intermediate (7 Roller) Tan (Can Use 76652B)	1	E0AZ-7A089-A
76652A	Sprag, 4R70W Intermediate (14 Roller) 1995-97	1	F7LY-7A089-AA
76652B	Sprag, AOD/AODE/4R70W Intermediate (7 Roller) Green 1980-97	1	
76652C	Mechanical Diode, 4R70W/4R75W/4R70E/4R75E Intermediate (14 Inner Splines) 1998-Up	1	F8AZ-7A089-AA
34654	Sprag, AOD/AODE/4R70W/4R75W/4R70E/4R75E Rear 1980-Up	1	930681

PART #	HARD PARTS (Continued)	QTY.	REFERENCE #
76663	Outer Race, AOD/AODE/4R70W Intermediate Sprag (7 Roller) 1980-97	1	E0AZ-7F221-A
76663K	Outer Race Kit, AOD/AODE Intermediate Sprag (7 Roller) (Contains: # 76663, 76694, 76874) 1980-95	1	
76663B	Outer Race, 4R70W Intermediate Sprag (14 Roller) 1995-97	1	F3LY-7F221-A
76663BK	Outer Race Kit, 4R70W Intermediate Sprag (14 Roller) (Contains: # 76663B, 76694A & 76874A) 1995-97	1	
76670	Shaft, AOD Direct Drive 1980-93	1	E9SZ-7F208-A
76670A	Shaft, AODE/4R70W/4R75W/4R70E/4R75E Direct Drive 1992-Up	1	F8AZ-7F351-AA
76678A	Output Shaft, AOD (16" Long) (7 Teeth Speed-O With 3 Governor Oil Holes) 1980-87	1	E8VY-7060-A
76678AA	Output Shaft, AOD (16" Long) (7 Teeth Speed-O With 4 Governor Oil Holes) 1988-93	1	
76678AB	Output Shaft, AODE/4R70W (16" Long) (7 Teeth Speed-O With 2 Governor Oil Holes) 1992-03	1	
76678AD	Output Shaft, 4R70W/4R75W/4R70E/4R75E 2WD (16" Long) (No Speed-O)(With 2 Oil Holes) 2004-Up	1	
76678B	Output Shaft, AOD (16" Long) (8 Teeth Speed-O With 3 Governor Oil Holes) 1980-87	1	E0VY-7D060-A
76678BA	Output Shaft, AOD (16" Long) (8 Teeth Speed-O With 4 Governor Oil Holes) 1988-93	1	
76678BB	Output Shaft, AODE (16" Long) (8 Teeth Speed-O With 2 Governor Oil Holes) 1992-Up	1	
76678C	Output Shaft, AOD (16" Long) (9 Teeth Speed-O With 3 Governor Oil Holes) 1980-87	1	E1TZ-7060-A
76678CA	Output Shaft, AOD (16" Long) (9 Teeth Speed-O With 4 Governor Oil Holes) 1988-93	1	
76678D	Output Shaft, AOD (15" Long) (8 Teeth Speed-O With 3 Governor Oil Holes) 1980-87	1	E8AZ-7060-A
76678DA	Output Shaft, AOD (15" Long) (8 Teeth Speed-O With 4 Governor Oil Holes) 1988-93	1	
76678DB	Output Shaft, AODE/4R70W (15" Long) (8 Teeth Speed-O With 2 Governor Oil Holes) 1992-03	1	
76678E	Output Shaft, AOD (15" Long) (7 Teeth Speed-O With 3 Governor Oil Holes) 1980-87	1	E2AZ-7060-A
76678EA	Output Shaft, AOD (15" Long) (7 Teeth Speed-O With 4 Governor Oil Holes) 1988-93	1	
76678EB	Output Shaft, AODE/4R70W (15" Long) (7 Teeth Speed-O With 2 Governor Oil Holes) 1992-03	1	
76678G	Output Shaft, AOD (15" Long) (9 Teeth Speed-O With 3 Governor Oil Holes) 1980-87	1	
76678GB	Output Shaft, 4R70W/4R75W/4R70E/4R75E 2WD (15" Long) (No Speed-O With 2 Oil Holes) 2004-Up (Can Use 76678DB Or 76678EB)	1	
76678H	Output Shaft, AOD 4x4 (11 1/2" Long) (With 3 Governor Oil Holes) 1980-87	1	
76678HA	Output Shaft, AOD 4x4 (11 1/2" Long) (With 4 Governor Oil Holes) 1988-93	1	
76678HB	Output Shaft, AODE/4R70W/4R75W/4R70E/4R75E 4x4 (11 1/2" Long) (With 2 Governor Oil Holes) 1992-Up	1	
76680	Governor, AOD With Weight 1980-93	1	
T-1695	Tool, AOD Governor Bore Case Sleeve	1	
T-1695-SL	Replacement Sleeve, AOD Governor Bore Case (Use With T-1695)	1	
T-1695-SLE	Replacement Sleeve, AODE Governor Bore Case (Use With T-1695)	1	
76681K	High Rev Kit, AOD Governor Kit (Transgo) 1979-Up	1	
76681-3	Spring, AOD Governor 1980-93	1	
76691A	Sleeve, AODE Yoke (Rubber)	1	
76694	Retainer, AOD Intermediate Sprag (2 Square Tabs) 1980-92	1	F3AZ-7D191-A
76694A	Retainer, AODE/4R70W/4R75W/4R70E/4R75E Intermediate Sprag (2 Round Tabs) 1992-Up (With Snap Ring)	1	F3AZ-7D191-A
76740	Valve Body, AOD 1980-81	1	
76740A	Valve Body, AOD 1982-88	1	
76740B	Valve Body, AOD 1989-93	1	
76740C	Valve Body, AODE (Electronic) 1992 (Use 76740D)	1	F2VY-7A100-A
76740D	Valve Body, AODE (Electronic) (.225"OD Dowel Pins) 1992-95	1	

76740E	Valve Body, 4R70W (Electronic) (.163"OD Dowel Pins) 1996-97 (Cast # RFF6AP)	
	Uses A Wire Harness	1
76740EA	Valve Body, 4R70W (Electronic) (.163"OD Dowel Pins) 1998-00 (Cast # RFF6AP) Uses	
	A Black Plastic Enclosed Circuit Board	1
76740F	Valve Body, 4R70W/4R75W/4R70E/4R75E (W/Only 2 Round Backing Plates On Top Of Valve	
	Body) (Cast # RF-1L3P-7A092- AA) 2001-Up	1

PART #	VALVE BODY COMPONENTS	QTY.	REFERENCE #
76741-3K	Spring Kit, AOD Throttle Valve Buzz Fix 1980-89	1	
76741-5	Check Ball, AOD/AODE Valve Body (.312" or 5/16") (Viton) 1980-Up	1	E7DZ-7E195-A
44741-5	Check Ball, AOD/AODE/4R70W Valve Body (.250" or 1/4") (Steel) 1980-Up	7	
S76741A-1A	Valve, AODE/4R70W/4R75W ByPass Clutch Control (Oversize)(Sonnax)(Must Use T-76948-TL6		
	Also)	1	
T-76948-TL6	Reamer Set, For S76741A-1A	1	
S76741A-1K	Relief Valves, AOD (In Valve Body) (10 Per Kit) (Sonnax) 1980-93	1	10000-01K
S76741AK	Bypass Kit, AODE/4R70W/4R75W/4R70E/4R75E Bypass Clutch Control Sleeve & Plunger		
	(Sonnax) 1993-Up	1	76948-04K
S76741B-1	TV Plunger, AOD (Oversized Where Plunger Exits The Valve Body Bore) (Uses With		
	T-76970-RM Reamer) (Sonnax) 1980-93	1	76970
T-76970-RM	Reamer, AOD (TV Plunger Bore) (Use With S76741B-1) (Bores Only Where TV Plunger		
	Exits The Valve Body) (Sonnax) 1980-93	1	76970-RM
S76741BBK	Sleeve Kit, AOD Throttle Valve Plug & Sleeve (Factory Style) (Sonnax) 1980-93	1	76989-03K
S76741BK	Sleeve Kit, AOD Throttle Valve Plug & Sleeve (Sleeve Uses 2 O-Rings) (Sonnax) 1980-93	1	76989K
S76741D-6	Plugs, AOD/AODE Valve Body End Plugs (Small) (3 Per Kit) (Sonnax) 1980-Up	1	76999-SML
S76741DK	Valve Kit, AOD 1-2 Capacity Modulator Valve (Oversize) (Contains: 1 Valve, 2 Springs,		
	2 O-Rings & 1 End Plug) (Sonnax) (Use With T-76991-TL Reamer) 1980-93	1	76991-01K
T-76991-TL	Reamer & Jig, AOD (Use With S76741DK) (1-2 Capacity Modulator Valve Kit)		
	(Sonnax) 1980-93	1	76991-TL
S76741E-6	Plugs, AOD/AODE Valve Body End Plugs (Large) (3 Per Kit) (Sonnax) 1980-Up	1	76999-LRG
76741G-5	Check Ball, AOD/AODE Valve Body (.312" or 5/16") (Torlon) 1980-Up	1	
S76741LAK	Boost Valve & Sleeve, 4R70W/4R75W/4R70E/4R75E Overdrive Servo Regulator (Sonnax)		
	1995-Up	1	
S76741NAK	TV Control Valve Kit, AOD (Oversize) (Use With T-76970-TL Reamer) (Contains: Oversized		
	TV Valve, Spring, & TV Plunger) (Sonnax) 1980-93	1	76970-02K
T-76970-TL	Reamer, AOD TV Control Valve (For S76741NAK) (Oversized Reamer With Guide)		
	(Sonnax) 1980-93	1	76970-TL
S76741P-1	Valve, AODE Main Pressure Regulator Prevents Low Line Pressure (Sonnax) 1992-95	1	76948-01
S76741P-3	Spring, AODE Pressure Regulator (Sonnax) (5 Per Set) 1992-95	1	
S76741PA-1	Valve, 4R70W/4R75W/4R70E/4R75E Main Pressure Regulator 1996-Up (Sonnax)	1	76948-09
S76741PA-1K	Valve & Spring Kit, 4R70W/4R75W/4R70E/4R75E (Elevated Pressure Regulator) Sonnax		
	1996-Up	1	
S76741PCK	Sure Cure Kit, AODE 1992-95 (Sonnax)	1	SC-AODE
S76741PDK	Sure Cure Kit, 4R70W/4R75W/4R70E/4R75E 1996-Up (Sonnax)	1	SC-AODE-1
S76741PEK	Valve Assembly, AODE/4R70W (Pressure Regulator) 1991-95 (Contains: Oversized Pressure		
	Valve, Oversized Reverse Boost Valve & Sleeve) (Sonnax) (Must Use T-76948-TL4		
	Reamer Also)(Should Use T-76948-BST)	1	
S76741PFK	Valve Assembly, 4R70W/4R75W/4R70E/4R75E (Pressure Regulator) 1996-Up (Contains:		
	Oversized Pressure Valve, Oversized Reverse Boost Valve Sleeve) (Sonnax) (Must Use		
	T-76948-TL4 Reamer Also)(Should Use T-76948-BST)	1	
T-76948-TL4	Oversize REamer, For S76741PEK & S76741PFK (Sonnax)	1	
T-76948-BST	Bore Sizing Tool For S76741PEK & S76741PFK	1	
A76741PK	Boost Valve & Sleeve, AODE/4R70W/4R75W/4R70E/4R75E (Steel Boost Valve & Sleeve)		
	(Superior) 1992-Up	1	K026
S76741PK	Boost Valve & Sleeve, AODE/4R70W/4R75W/4R70E/4R75E (Pressure Regulator Prevents Poor		
	Reverse Boost) (Sonnax) 1992-Up	1	76948-02K
S76741S-6	Plugs, AOD/AODE Valve Body End Plugs (Medium) (3 Per Kit) (Sonnax) 1980-Up	1	76999-MED
S76741S-6K	End Plug Kit, AOD/AODE Valve Body (3 Medium, 1 Small Plug & 8 Small O-Rings)		
	1980-E83 (Sonnax)	1	76999-04K
S76741SK	Shift Valve & Sleeve Assembly, AODE 3/4 Shift With End Plugs (Sonnax)	1	76999-05K
S76741SBK	Valve & Spring Kit, AODE/4R70W/4R75W/4R70E/4R75E (Solenoid Regulator Valve)(Contains:		
	Valve, Spring, End Plug & O-Rings) (Sonnax)(Should Use T-76948-BST2)	1	
S76741TAK	Boost Valve Kit, AOD Pressure Regulator (Factory Style) 1980-93 (Sonnax)	1	76990-03K
A76741TBK	Boost Valve & Sleeve, AOD Reverse (Superior)	1	
S76741TBK	Boost Valve Kit, AOD Pressure Regulator (Factory Style) (Large Ratio) 1980-93 (Sonnax)	1	76990-04K
S76741TK	Boost Valve Kit, AOD Pressure Regulator (With O-Rings) (Uses O-Rings On Sleeve)		
	1980-93 (Sonnax)	1	76990K
S76741VK	Valve & Spring Kit, AODE/4R70W/4R75W/4R70E/4R75E (Solenoid Regulator Valve)(Contains:		
	Valve, Spring, End Plug O-Rings)(Sonnax) (Should Use T-76948-BST2)	1	
T-76948-BST2	Reamer, AODE/4R70W/4R75W/4R70E/4R75E (For S76741VK)	1	

PART #	VALVE BODY COMPONENTS (Continued)	QTY.	REFERENCE #
44741V-5	Check Ball, AOD/AODE/4R70W/4R75W/4R70E/4R75E Valve Body (.250") (Viton)	1	
S76746-4K	Capsule, AODE/4R70W/4R75W EPC Limit (Goes Into The Valve Body Cover Plate)(Sonnax)		
	(Limits EPC Pressure To 80 PSI)(Must Use Tool # T-76948-TL32)	1	
T-76948-TL32	Tool For S76746-4K	1	
76747GA	Plate, 4R70W/4R75W/4R70E/4R75E Valve Body Seperator L2000-Up (Superior "Super Tough Plate")	1	
76748E-6	Reinforcing Plate, AODE (Large Middle One) Holds Valve Body Seperator On 1992-94 (W/Bolts)	1	
	(OE Fix For Damaged Forward Clutches)	1	F4AZ-7F282-A
S76748EA-6K	Reinforcing Plate Kit, 4R70W/4R75W (Small One) Holds Valve Body Seperator On 2001-Up		
	(Sonnax)(Contains: Plate, Gasket, 2 Bolts)	1	

PART #	HARD PARTS (Continued)	QTY.	REFERENCE #
76843	Bracket, AODE/4R70W EPC Solenoid 1992-97	1	F3AZ-7H111-A
76843A	Bracket, AODE/4R70W EPC Solenoid 1998-Up	1	F6AZ-7H111-A
76760	Case, AOD (Early, Small Cooler Line Fittings) 11/16" (Cast # RFE0)	1	
76760A	Case, AOD (Late, Large Cooler Line Fittings) 3/4" (Cast # RFE3 Or RFE4)	1	
76760B	Case, AODE (2 Bolt Starter) (Cast # RFF4) (.225"OD Valve Body Dowel Pins) 1994-6/96	1	
76760BB	Case, AODE (3 Bolt Starter) (Cast # RFF2 Or RFF4-AA) (.225"OD Valve Body Dowel Pins) 1992-93	1	
76760BC	Case, AODE (3 Bolt Starter) (Cast # RFF4-AC) (.225"OD Valve Body Dowel Pins) 1994-95	1	
76760D	Case, 4R70W (3 Bolt Starter) (Cast # RFF7) (.163"OD Valve Body Dowel Pins) (With Output Sensor Hole) 1996-03	1	
76760E	Case, 4R70W (2 Bolt Starter) (Cast # RFF7) (.163"OD Valve Body Dowel Pins) (With Output Speed Sensor Hole) 6/96-2003	1	
76760H	Case, 4R70W/4R70E (2 Bolt Starter) (Cast # RF3L3P) 2004-Up (With Turbine Shaft & Output Speed Sensor Holes)	1	
76760HA	Case, 4R75W/4R75E (3 Bolt Starter) (Cast # RF3L3P or RF6C2P) 2004-Up (With Turbine Shaft & Output Speed Sensor Holes)	1	

PART #	CASE COMPONENTS	QTY.	REFERENCE #
S56761-2CK	Sleeve, AOD/AODE/4R70W Shift Linkage Shaft (With 1 Sleeve, 1 3mm Pin & 1 .125" Pin)		
	Use W/T-56361-TL	1	56361-01K
T-76761A-6	Alignment Pin Adapters, 4R70W Valve Body To Case (Teckpak) Allows The Use Of Late Model Valve Bodies On Early Units	1	
T-SERVO-FIX	Servo Pin Bore Reaming Fixture, AOD/AODE/4R70W/4R75W/4R70E/4R75E (Sonnax)	1	
T-56361-TL	Tool Kit, AOD/AODE/4R70W For S56761-2CK	1	56361-TL
T-TK56RTD	Tool Kit, AOD/AODE/4R70W Shift Linkage Pin Remover & Installer (Teckpak)	1	

PART #	HARD PARTS (Continued)	QTY.	REFERENCE #
76765	Pan, AOD 2WD 1980-93	1	
76765A	Pan, AODE/4R70W/4R75W/4R70E/4R75E 2WD 1992-Up	1	
76765AA	Pan, AOD 4x4 1980-93	1	
76765B	Pan, AODE/4R70W/4R75W/4R70E/4R75E 4x4 1992-Up	1	
76770	Extension Housing, AOD/AODE 2WD (10 1/2") Small Seal 1980-92	1	
76770A	Extension Housing, AOD/AODE 2WD (11 1/2") Small Seal 1980-92	1	
76770B	Extension Housing, AOD/AODE 4x4 (6 3/8") Aluminum W/2 Threaded Bosses For Shifter (Cast # RF-F67P-7A040-AA)	1	
76770BA	Extension Housing, AOD/AODE 4x4 (6 3/8") Aluminum W/1 Threaded Boss For Shifter	1	
76770BC	Extension Housing, AODE/4R70W 4x4 (6 3/8" Long) Aluminum W/2 Threaded Bosses For Shifter (Cast # RF-F2TP-7A040-BA or RF-3L3P-7A040-AB)	1	
76770C	Extension Housing, AODE/4R70W 2WD (10 1/2" Long) Large Seal (With Speed-O Hole) 1993-03	1	
76770D	Extension Housing, AODE/4R70W 2WD (11 1/2") Large Seal 1993-03	1	
76770H	Extension Housing, 4R70W/4R75W/4R70E/4R75E 2WD (10 1/2") 2004-Up (No Speed-O Hole)	1	
76770HA	Extension Housing, 4R70W/4R75W/4R70E/4R75E 2WD (11 1/2" Long) 2004-Up (No Speed-O Hole)(Large Seal)	1	
76774	Housing, AOD Driven Speed-O (Cable Driven) 1980-93	1	
86774B	Speed-O Housing, AOD/AODE/4R70W (With 2 Pin Connector)(.871"OD Housing Below O-Ring) (Less Speed-O Driven Gear)(Does Not Use A Cable)	1	
86774C	Speed-O Housing, AOD/AODE (With 2 Pin Connector)(.871"OD Housing Below O-Ring)(Less Speed-O Driven Gaer)(Uses A Cable)	1	
26775	Converter Nut, AOD/AODE Flange Type (Standard Thread)	1	
26775A	Converter Nut, AOD/AODE Self Locking (Standard Thread)	1	
76777K	Bolt Set, AOD/AODE/4R70W/4R75W/4R70E/4R75E Pump To Case (7 Pieces) 1980-Up	1	
76778K	Bolt Set, AOD/AODE/4R70W/4R75W/4R70E/4R75E Stator To Pump Body (7 Pieces) 1980-Up	1	
76779AK	Bolt Set, AODE/4R70W/4R75W/4R70E/4R75E Bottom Pan (14 Bolts) 1992-Up	1	

76781K	Bolt Set, AOD/AODE/4R70W/4R75W/4R70E/4R75E Extension Housing To Case 2WD (6 Pieces) 1980-Up	1	
76781AK	Bolt Set, AOD/AODE/4R70W/4R75W/4R70E/4R75E Extension Housing To Case 4x4 (6 Pieces) 1980-Up	1	
76782K	Bolt Set, AOD/AODE/4R70W/4R75W/4R70E/4R75E Valve Body To Case (25 Pieces) 1980-Up	1	
44839	Pan Magnet, AOD/AODE/4R70W Rectangular	1	
44839A	Pan Magnet, AOD/AODE/4R70W Round	1	
76843	Bracket, AODE/4R70W EPC Solenoid 1992-97	1	F3AZ-7H111-A
76843A	Bracket, 4R70W/4R75W/4R70E/4R75E EPC Solenoid 1998-Up	1	
76848	Gear, AOD Speed-O Driven	1	
76853	Cushion, AOD Forward Clutch (For Cast Iron Drum) 1980-90	1	
76853A	Cushion, AOD/AODE/4R70W/4R75W/4R70E/4R75E Forward Clutch (.070") Steel Drum 1989-Up	1	
76853B	Cushion, AOD/AODE/4R70W/4R75W/4R70E/4R75E Forward Clutch (.034") Steel Drum 1989-Up	1	F0SZ-7E085-A
76853C	Cushion, AOD/AODE/4R70W/4R75W/4R70E/4R75E Forward Clutch (.083") Steel Drum 1989-Up	1	
76874	Snap Ring, AOD/AODE/4R70W/4R75W/4R70E/4R75E Holds Intermediate Sprag Retainer To Reverse Drum (.043") 1980-Up	1	391267-S
76874A	Snap Ring, AOD/AODE Holds Intermediate Sprag Retainer To Reverse Drum (Spiral, Updated)	1	11501326
S76874AK	Snap Ring Kit, AOD/AODE Holds Intermediate Sprag Retainer To Reverse Drum (Spiral Snap Ring & Snap Ring Lock) (3 Per Pack) (Sonnax)	1	76554RK
76876A	Snap Ring, AOD/AODE/4R70W/4R75W/4R70E/4R75E Forward & Reverse Clutch (.064") 1980-Up	1	C8AZ-7D483-C
76876C	Snap Ring, AOD/AODE/4R70W/4R75W/4R70E/4R75E Forward & Reverse Clutch (.078") 1980-Up	1	C7AZ-7D483-A
76876CA	Snap Ring, AOD/AODE/4R70W/4R75W/4R70E/4R75E Forward & Reverse Clutch (.084") 1980-Up	1	
76876D	Snap Ring, AOD/AODE/4R70W/4R75W/4R70E/4R75E Forward & Reverse Clutch (.092") 1980-Up	1	C8AZ-7D483-C
76876E	Snap Ring, AOD/AODE/4R70W/4R75W/4R70E/4R75E Forward & Reverse Clutch (.106") 1980-Up	1	C8AZ-7D483-A
76877	Snap Ring, AOD/AODE/4R70W/4R75W/4R70E/4R75E Holds Forward Clutch Retainer In Drum 1980-Up	1	388099-S
76878EA	Snap Ring, AODE/4R70W/4R75W/4R70E/4R75E Direct Clutch (.052") 1992-Up	1	F3AZ-7D483-A
76878EB	Snap Ring, AODE/4R70W/4R75W/4R70E/4R75E Direct Clutch (.068") 1992-Up	1	F3AZ-7D483-B
76878EC	Snap Ring, AODE/4R70W/4R75W/4R70E/4R75E Direct Clutch (.082") 1992-Up	1	F3AZ-7D483-C
76878ED	Snap Ring, AODE/4R70W/4R75W/4R70E/4R75E Direct Clutch (.096") 1992-Up	1	F3AZ-7D483-D
76879	Snap Ring, AOD/AODE/4R70W/4R75W/4R70E/4R75E Holds Direct Retainer In Drum 1980-Up	1	388104-S2
S76880	Retaining Ring, AOD (Shaft To Direct Drum) (5 Per Kit) (Sonnax) (Prevents Direct Drive Shaft From Contacting Output Shaft) 1980-93	1	76811-01K
76883	Snap Ring, AOD/AODE/4R70W Holds Center Support To Case (Has 2 Hooks At Each End) 1980-02	1	388501-S
76883H	Snap Ring, 4R70W/4R75W/4R70E/4R75E Holds Center Support To Case (Has 1 Hook At The End) 2003-Up	1	
76889	Snap Ring, AOD Holds Ring Gear Hub (Flat) 1980-93	1	
76889E	Snap Ring, AODE/4R70W/4R75W/4R70E/4R75E Holds Ring Gear To Hub (.060" Thick) (Wavy) 1992-Up	1	
76893	Snap Ring, AOD/AODE/4R70W/4R75W/4R70E/4R75E Holds Reverse Clutch Return Spring In Drum 1980-Up	1	E0AZ-7A577-A
76894	Snap Ring, AOD/AODE/4R70W/4R75W/4R70E/4R75E Holds Ring Gear Hub To Output Shaft (.062" Thick) (1.950"OD) 1980-Up	1	97713-S
76895	Snap Ring, AODE/4R70W/4R75W/4R70E/4R75W Holds # 691 Sleeve To Output Shaft 1992-Up	1	
76896	Snap Ring, AOD Holds Reverse Servo In Case 1980-93	1	38815-S
76896E	Snap Ring, AODE/4R70W/4R75W/4R70E/4R75E Holds Reverse Servo In Case 1992-Up	1	
76897	Snap Ring, AOD Holds Overdrive Servo In Case 1980-93	1	388216-S
76897E	Snap Ring, AODE/4R70W/4R75W/4R70E/4R75E Holds Overdrive Servo In Case 1992-Up	1	F2VY-7384-B
76898	Snap Ring, AOD Holds 2-3 Accumulator In Case 1980-93	1	97631-S
76898E	Snap Ring, AODE/4R70W/4R75W/4R70E/4R75E Holds 2-3 & 1-2 Accumulator In Case (.077" Thick) (2.230"OD) 1992-Up	2	F2VY-7384-A
76899	Snap Ring, AOD Holds 3-4 Accumulator In Case 1980-93	1	97626-S
76900	Servo Assembly, AOD Overdrive (V-8 302) (W/Letter C) 1980-93	1	E0AZ-7F200-B
76900A	Servo Assembly, AOD Overdrive (V-8 351) (W/Letter B) 1980-93	1	
76900B	Servo Assembly, AOD Overdrive (V-6) 1980-93	1	
76900E	Servo Assembly, AODE/4R70W Overdrive Servo (2.680"OD) (Bonded) 1992-03	1	
76900EA	Servo Assembly, AODE/4R70W Overdrive Servo (2.500"OD) (Bonded) 1993-98	1	
76900H	Servo Assembly, 4R70W/4R75W/4R70E/4R75E Overdrive Servo (2.725"OD) (Bonded) 2004-Up	1	

FORD

PART #	HARD PARTS (Continued)	QTY.	REFERENCE #
76900SK	Servo Assembly, AOD Overdrive Servo (Superior Super Servo) (2.874"OD) (Cover, Piston, Pin, Spring & O-Rings) 1980-93 (Superior)	1	
76901	Spring, AOD Overdrive Servo (Green) 1980-93	1	
76901A	Spring, AOD Overdrive Servo (White) 1980-93	1	
76901E	Spring, AODE Overdrive Servo 1992	1	
76901EA	Spring, AODE/4R70W Overdrive Servo (Yellow) (2.080" Long) 1993-03	1	F2VY-7F201-A
76901H	Spring, 4R70W/4R75W/4R70E/4R75E Overdrive Servo (Green) (2.235" Long) 2004-Up	1	
76902	Piston, AOD Overdrive Servo (V-8 302) (Stamped "C") (2.183"OD) 1980-93	1	E0AZ-7F200-A
76902A	Piston, AOD Overdrive Servo (V-8 351) (Stamped "B") (2.490"OD) 1980-93	1	E0AZ-7F200-B
76902B	Piston, AOD Overdrive Servo (V-6) (Stamped "A") (2.675"OD) 1980-93	1	E9SZ-7F200-A
76902E	Piston, AODE/4R70W Overdrive Servo (Bonded Rubber) (2.680"OD) 1992-03	1	F2VY-7H188-A
76902EA	Piston, AODE/4R70W Overdrive Servo (Bonded Rubber W/Sleeve) (2.500"OD) 1993-98	1	F7AZ-7H188-AA
76902ESK	Piston Set, AODE/4R70W (Overdrive Servo)(Superior Super Servo)(Contains: Aluminum Piston, Teflon Seal & Lip Seal) 1992-03	1	
76902H	Piston, 4R70W/4R75W/4R70E/4R75E Overdrive Servo (Bonded Rubber) (2.725"OD) 2004-Up	1	
S76903	Pin, AODE/4R70W Overdrive Servo (1 Pin, 2 O-Rings, 1 Washer) 1992-Up (Sonnax)	1	76833E
S76903G	Pin, AOD Overdrive Servo (1 Pin, 2 O-Rings, 1 Washer) 1980-93 (Sonnax)	1	76833
76904	Cover, AOD Overdrive Servo (V-8 302) 1980-93	1	
76904A	Cover, AOD Overdrive Servo (V-8 351) 1980-93	1	E0AZ-7D027-D
76904B	Cover, AOD Overdrive Servo (V-6) 1980-93	1	
76904E	Sleeve, AODE/4R70E Overdrive Servo (2.680"ID) 1992-03	1	
76904EA	Sleeve, AODE/4R70W Overdrive Servo (2.500"ID) 1993-98	1	
76904H	Sleeve, 4R70W/4R75W/4R70E/4R75E Overdrive Servo (2.725"ID) 2004-Up	1	
76911	Spring, AOD/AODE/4R70W/4R75W/4R70E/4R75E Reverse Servo 1980-Up	1	E0AZ-7D031-B
76912	Piston, AOD/AODE/4R70W/4R75W/4R70E/4R75E Reverse Servo (1 Groove) 1980-Up	1	E0AZ-7D189-A
76912A	Piston, AOD/AODE/4R70W/4R75W/4R70E/4R75E Reverse Servo (2 Groove) 1980-Up	1	E0AZ-7D189-B
76912B	Piston, AOD/AODE/4R70W/4R75W/4R70E/4R75E Reverse Servo (3 Groove) 1980-Up	1	E0AZ-7D189-C
76914	Cover, AOD/AODE/4R70W/4R75W/4R70E/4R75E Reverse Servo 1980-Up	1	E0AZ-7D036-A
76925E	Accumulator Assembly, AODE 1-2 Accumulator 1992-Up (O-Ring Type) 1992-95	1	
76925EA	Accumulator Assembly, AODE/4R70W 1-2 Accumulator (Bonded Rubber) 1994-03	1	
S76925EK	Sleeve Kit, AODE 1-2 Accumulator (Piston, Sleeves, Cover & O-Rings) (Sonnax) (Uses Installation Tool # T-76890-TL) 1992-Up	1	76890-01K
T-76890-TL	Installation Tool For S76925EK	1	76890-TL
76925H	Accumulator Assembly, 4R70W/4R75W/4R70E/4R75E 1-2 Accumulator (Bonded Rubber) (With 3 Springs) 2004-Up	1	
76926A	Spring, AODE 1-2 Accumulator (Pink) 1992-95	1	
76926AA	Spring, AODE 1-2 Accumulator (Green) 1992-95	1	
76926B	Spring, AODE/4R70W/4R75W/4R70E/4R75E 1-2 Accumulator (Violet) 1992-Up	1	
76926E	Spring, AODE/4R70W/4R75W/4R70E/4R75E 1-2 Accumulator (Purple) (Hi Performance) 1992-Up	1	F3LY-7F284-A
76926G	Spring, 4R70W/4R75W/4R70E/4R75E 1-2 Accumulator (Yellow) 1995-Up	1	
76926H	Spring, 4R70W/4R75W/4R70E/4R75E 1-2 Accumulator (Blue) 2004-Up (This Spring Is Inside Of The 76926 Spring)	1	
S76926K	Spring Set, AODE 1-2 Accumulator (Medium) (10 Per Pack) 1980-93 (Sonnax)	1	76948-08
76927A	Piston, AODE 1-2 Accumulator 1992-95 (Aluminum, O-Ring Type)	1	
76927B	Piston, AODE/4R70W/4R75W/4R70E/4R75E 1-2 Accumulator (Bonded Rubber) 1994-Up	1	F7AZ-7F251-AA
76929A	Cover, AODE/4R70W/4R75W/4R70E/4R75E 1-2 Accumulator (Bonded Rubber) 1994-Up	1	F4AZ-7F247-A
76930	Accumulator Assembly, AOD 2-3 Accumulator 1980-93	1	
76930E	Accumulator Assembly, AODE/4R70W 2-3 Accumulator 1992-96	1	
76930EA	Accumulator Assembly, 4R70W 2-3 Accumulator 1997-00 (Bonded Rubber) Overall Height Of The Cover Is .496"	1	
76930H	Accumulator Assembly, 4R70W/4R75W/4R70E/4R75E 2-3 Accumulator (Bonded Rubber) 2001-Up (Overall Height Of The Cover Is .586")	1	
76931	Spring, AOD/AODE/4R70W 2-3 Accumulator (1.880" Long) 1980-03	1	E0AZ-7F285-A
76931H	Spring, 4R70W/4R75W/4R70E/4R75E 2-3 Accumulator 2004-Up (1.745" Long)	1	
76932	Piston, AOD 2-3 Accumulator 1980-93	1	E0AZ-7F251-A
S76932K	Piston Kit, AOD/AODE/4R70W 2-3 Accumulator 1980-96 (Sonnax) (Contains: 2 Sleeves, 1 Piston & 2 D-Rings)	1	
76932E	Piston, AODE/4R70W 2-3 Accumulator 1992-96	1	
76932EA	Piston, AODE/4R70W/4R75W/4R70E/4R75E 2-3 Accumulator (Bonded Rubber) 1997-Up	1	F7AZ-7H292-AB
76934	Cover, AOD 2-3 Accumulator 1980-93	1	E0AZ-7B264-A
76934E	Cover, AODE/4R70W 2-3 Accumulator 1992-96	1	F2AZ-7B264-A
76934EA	Cover, 4R70W 2-3 Accumulator (.496" Overall Height) 1997-00	1	
76934H	Cover, 4R70W/4R75W/4R70E/4R75E 2-3 Accumulator (.585" Overall Height) 2001-Up	1	
76935	Accumulator Assembly, AOD 3-4 Accumulator 1980-81	1	
76935A	Accumulator Assembly, AOD 3-4 Accumulator 1982-88	1	
76935B	Accumulator Assembly, AOD 3-4 Accumulator 1989-93	1	E0AZ-7F288-A

76936.....	Spring, AOD 3-4 Accumulator 1980-88.....	1.....	E0AZ-7F285-A
76936A.....	Spring, AOD 3-4 Accumulator 1989-93.....	1.....	F3LY-7F284-A
76937.....	Piston, AOD 3-4 Accumulator 1980-81.....	1.....	E0AZ-7F287-A
76937A.....	Piston, AOD 3-4 Accumulator 1982-88.....	1.....	E2AZ-7F287-A
76937B.....	Piston, AOD 3-4 Accumulator 1989-93.....	1.....	E2AZ-7F287-A
76939.....	Cover, AOD 3-4 Accumulator 1980-81.....	1.....	E0AZ-7F247-A
76939A.....	Cover, AOD 3-4 Accumulator 1982-88.....	1.....	E2AZ-7F247-A
76939B.....	Cover, AOD 3-4 Accumulator 1989-93.....	1.....	
76962.....	Piston, AOD/AODE/4R70W Intermediate Clutch (Aluminum) 1980-03.....	1.....	F2AZ-7E005-A
76962H.....	Piston, 4R70W/4R75W/4R70E/4R75E Intermediate Clutch (Bonded) 2004-Up.....	1.....	
76964.....	Piston, AOD Forward Clutch (W/Cast Iron Drum) 1980-93.....	1.....	E0AZ-7A262-A
76964E.....	Piston, AOD/AODE/4R70W/4R75W/4R70E/4R75E Forward Clutch (W/Stamped Steel Drum) 1989-Up.....	1.....	
76965.....	Piston, AOD Direct Clutch (Cast Iron Drum) (Can Use 76965A) (Check Ball Is Staked Into Piston, No Metal Retainer) 1980-93.....	1.....	
76965A.....	Piston, AOD Direct Clutch (Cast Iron Drum) (Has A Metal Check Ball Retainer) 1980-93.....	1.....	
76965E.....	Piston, AOD/AODE/4R70W/4R75W/4R70E/4R75E Direct Clutch (Stamped Steel Drum) 1989-Up.....	1.....	F2VY-7A262-A
76966.....	Piston, AOD Reverse Clutch 1980-93.....	1.....	E0AZ-7D402-A
76966E.....	Piston, AODE/4R70W/4R75W/4R70E/4R75E Reverse Clutch 1992-Up.....	1.....	F2TZ-7D402-A
76972.....	Retainer With Springs, AOD Intermediate Clutch 1980-93.....	1.....	E0AZ-7F222-A
76972E.....	Retainer With Springs, AODE/4R70W Intermediate Clutch 1992-03 (With 9 Springs).....	1.....	
76972H.....	Retainer, 4R70W/4R75W/4R70E/4R75E Intermediate Clutch Spring 2004-07.....	1.....	
76972HA.....	Retainer W/Spring, 4R70W/4R75W/4R70E/4R75E Intermediate Clutch 2007-Up (With 24 Springs).....	1.....	
76974.....	Spring, AOD/AODE/4R70W/4R75W/4R70E/4R75E Forward Clutch Return 1980-Up.....	1.....	E0AZ-7A480-A
76975.....	Retainer With Springs, AOD/AODE/4R70W/4R75W/4R70E/4R75E Direct Clutch Return 1980-Up.....	1.....	E5AZ-7F235-A
76976.....	Spring, AOD/AODE/4R70W/4R75W/4R70E/4R75E Reverse Clutch Return 1980-Up.....	1.....	E0AZ-7B070-A
76982H.....	Return Spring, 4R70W/4R75W/4R70E/4R75E Intermediate Clutch (Waved)(.085" Thick) (7 3/4"OD) 2004-07.....	1.....	
76984.....	Retainer, AOD/AODE/4R70W/4R75W/4R70E/4R75E Forward Clutch Spring 1980-Up.....	1.....	E0AZ-7A527-A
76991.....	Linkage Assembly, AOD Internal 1980-93.....	1.....	
76991E.....	Linkage Assembly, AODE/4R70W/4R75W/4R70E/4R75E Internal 1992-Up.....	1.....	
T-TK56RTD.....	Tool Kit, AOD/AODE/4R70W Shift Linkage Pin Remover & Installer (Teckpak).....	1.....	
76992.....	Shift Lever, AOD/AODE External (Cast # E4ZP AA) 1983-93.....	1.....	E4ZZ-7A256-A
76992A.....	Shift Lever, AOD External (Cast # E0AP) 1980-Up.....	1.....	E0AZ-7A256-A
76992AA.....	Shift Lever, AOD External (Cast # E0WP BB) 1980-Up.....	1.....	E0WY-7A256-A
76992AB.....	Shift Lever, AOD External (Cast # E1TP AA) 1980-Up.....	1.....	E1TZ-7A256-A
73992AC.....	Shift Lever, AOD External (Cast # E9SP BA) (Floor Shift, 1991 T-Bird).....	1.....	E9SZ-7A256-A
76992AD.....	Shift Lever, AOD External (Cast # E9SP BA) 1988-93.....	1.....	F2UZ-7A256-A
76992AE.....	Shift Lever, AODE/4R70W/4R75W/4R70E/4R75E External (Cast # F4SP AA) 1992-Up.....	1.....	
76992AF.....	Shift Lever, AODE/4R70W/4R75W/4R70E/4R75E External (Cast # F4AP AA) 1992-Up.....	1.....	
76992B.....	Shift Lever, AODE/4R70W/4R75W/4R70E/4R75E External (Cast # F75P) 1992-Up.....	1.....	
76992BA.....	Shift Lever, AODE/4R70W/4R75W/4R70E/4R75E External (Cast # F7AP AA) 1992-Up.....	1.....	
76992BB-1.....	Lever, AODE/4R70W/4R75W/4R70E/4R75E External (Without Shaft)(3.680" Long, Offset) (Cast # F7 Or F75)(Some 1994-Up).....	1.....	
76992BC-1.....	Lever, AODE/4R70W/4R75W/4R70E/4R75E External (Without Shaft)(3.670" Long, Straight) (Cast # F3UP-7A253-A)(Some 1994-Up).....	1.....	
76995.....	Park Pawl Assembly, AOD 1980-E84.....	1.....	
76995A.....	Park Pawl Assembly, AOD/AODE/4R70W/4R75W/4R70E/4R75E L1984-Up.....	1.....	
T76996.....	Fitting, AOD/AODE/4R70W Cooler (Screw In) (1/4" Pipe Thread) Pipe Thread Screws In To Case (For A 5/16" Push-In Cooler Line).....	1.....	FS-190
T86996.....	Fitting, AODE/4R70W Cooler Line (Push-In) (1/4" Pipe Thread, 5/16" Line) Metal Clip Type.....	1.....	
56996A.....	Fitting, AOD/AODE/4R70W Cooler (16.5mm Thread Screw-In To Case) (For A 3/8" Screw-In Cooler Line) (Uses A 22mm Wrench).....	1.....	
T76996A.....	Fitting, AOD/AODE/4R70W Cooler (16.5mm Thread Screw-In Thread Screws In To The Case) For A 5/16" Push-In Cooler Line.....	1.....	
T86996C.....	Clip, AODE/4R70W Cooler Line Retainer (Metal) (For T86996)(Teckpak).....	1.....	