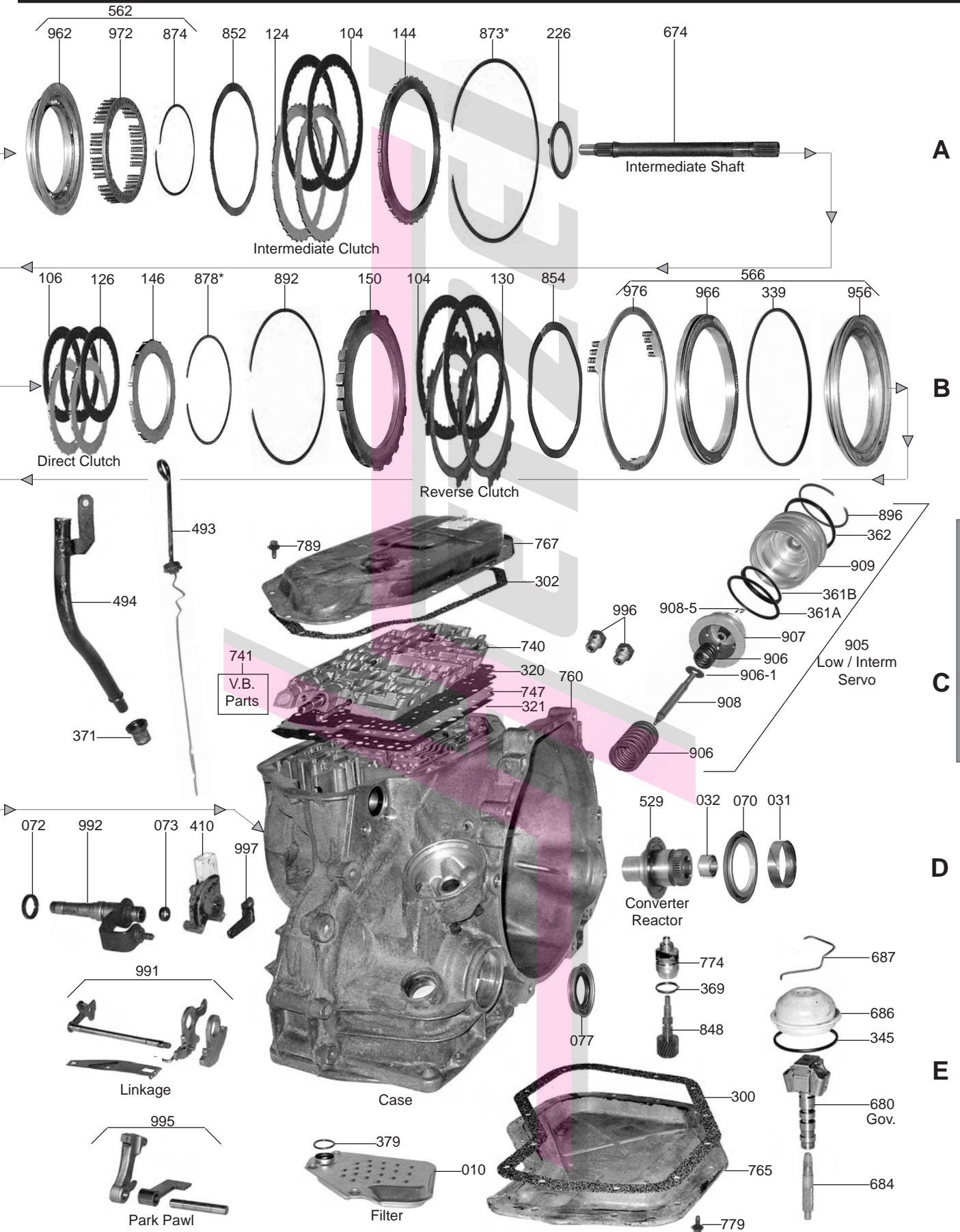


FORD



FORD

PART #	PAPER & RUBBER KIT	QTY.	REFERENCE #
66000.....	Paper & Rubber Kit, ATX 1981-Up.....	1	
PART #	OVERHAUL KITS	QTY.	REFERENCE #
66002.....	Overhaul Kit, ATX 1981-Up	1	
PART #	MASTER L/STEEL KIT	QTY.	REFERENCE #
66004.....	Master L/Steels Kit, ATX 1981-91	1	
66004A	Master L/Steels Kit, ATX 1992-Up.....	1	
PART #	MASTER W/STEEL KIT	QTY.	REFERENCE #
66006.....	Master W/Steels Kit, ATX 1981-91	1	
66006A	Master W/Steels Kit, ATX 1992-Up	1	
PART #	FILTER	QTY.	REFERENCE #
66010.....	Filter, ATX 1981-Up	1	E9FZ-7A098-A
PART #	FILTER KIT	QTY.	REFERENCE #
66011	Filter Kit, ATX 1981-Up.....	1	
PART #	MISC. FILTERS	QTY.	REFERENCE #
66014.....	Filter, ATX Governor	1	E1FZ-7E242-A
PART #	BANDS	QTY.	REFERENCE #
66022.....	Band, ATX Low/Intermediate 1981-84	1	E1FZ-7D034-B
66022A	Band, ATX Low/Intermediate 1985-Up.....	1	E9FZ-7D034-A
PART #	BUSHINGS	QTY.	REFERENCE #
66030.....	Bushing Kit, ATX 1981-Up.....	1	
66031.....	Bushing, ATX Converter Hub 1981-Up	1	E1EP-7N805-A
66032.....	Bushing, ATX Converter Reactor 1981-Up	1	E1EP-7F437-A
66035.....	Bushing, ATX Inner Pump Gear 1981-Up	1	E1EP-7B259-A
66036.....	Bushing, ATX Stator 1981-Up	1	
66046.....	Bushing, ATX Direct Drum 1981-Up.....	1	E1EP-7F233-A
66046A	Bushing, ATX Direct Clutch (Oversize) 1981-Up.....	1	
66046B	Bushing, ATX Turbine Shaft 1981-Up	1	E1EP-7F214-A
66052.....	Bushing, ATX Sun Gear (Use 66058)	1	E1EP-7D065-A
66058.....	Bushing, ATX Planet & Sun Gear 1981-Up.....	1-2	E1EP-7D065-A
66060.....	Bushing, ATX Planet Ring Gear (Top Hat Style) 1981-Up	1	E1EP-7F440-A
66064.....	Bushing, ATX Transfer Housing 1981-Up	1	E1EP-7F366-A
PART #	METAL CLAD SEALS	QTY.	REFERENCE #
66070.....	Seal, ATX Front 1981-Up	1	E6FZ-7F401-A
66072.....	Seal, ATX Linkage 1981-Up	1	E1FZ-7B498-A
76073.....	Seal, ATX Throttle Lever 1981-Up.....	1	E0AZ-7F337-A
66076.....	Seal, ATX Axle (Both) 1981-Up	1-2	E1FZ-1177-A
66077.....	Seal, ATX Axle (Differential Retainer Side) (Use 66076).....	1	EF1Z-1177-A
PART #	FRICTION CLUTCH	QTY.	REFERENCE #
66104.....	Friction, ATX Intermediate & Reverse Clutch (.078") 1981-91	4-6.....	E1FZ-7B164-B
66104A	Friction, ATX Intermediate & Reverse Clutch (.078") 1992-Up	4-6.....	F23Z-7B164-B
66106.....	Friction, ATX Direct Clutch (.076") 1981-Up.....	3-4.....	E1FZ-7B164-A
66119.....	Friction Module, ATX 1981-91	1	
66119A.....	Friction Module, ATX 1992-Up	1	
PART #	STEEL CLUTCH	QTY.	REFERENCE #
66124.....	Steel, ATX Intermediate Clutch (.070") (6 5/8"ID) 1981-91	2-3.....	E2FZ-7B442-A
66124A	Steel, ATX Intermediate Clutch (.070") (6 1/16"ID) 1992-Up.....	3	F23Z-7B442-A

66126.....	Steel, ATX Direct Clutch (.070") 1981-Up.....	3-4.....	E1FZ-7B442-A
66130.....	Steel, ATX Reverse Clutch (.070") 1981-91.....	2-3.....	E1FZ-7B442-C
66130A.....	Steel, ATX Reverse Clutch (.070") 1992-Up.....	3.....	F23Z-7B442-B
66139.....	Steel Module, ATX 1981-91.....	1.....	
66139A.....	Steel Module, ATX 1992-Up.....	1.....	

PART #	CLUTCH PRESSURE PLATES	QTY.	REFERENCE #
66144.....	Pressure Plate, ATX Intermediate Clutch (6 5/8"ID) 1981-91.....	1.....	E23Z-7B066-A
66144A.....	Pressure Plate, ATX Intermediate Clutch (6 1/16"ID) 1992-Up.....	1.....	
66146.....	Pressure Plate, ATX Direct Clutch 1981-Up.....	1.....	E1FZ-7B066-A
66150.....	Pressure Plate, ATX Reverse Clutch 1981-Up.....	1.....	F23Z-7B066-B

PART #	VALVE BODY KITS	QTY.	REFERENCE #
S66165.....	Valve Body Kit, ATX 1981-Up (Superior).....	1.....	KATX
T66165.....	Shift Kit, ATX 1981-Up (Transgo).....	1.....	SK® FX

PART #	OIL SEALING RINGS	QTY.	REFERENCE #
66175.....	Ring Kit, ATX (Metal) 1981-Up.....	1.....	
66175T.....	Ring Kit, ATX (Teflon) 1981-Up.....	1.....	
66179.....	Ring, ATX Intermediate Clutch (2.072"OD) (Metal) 1981-Up.....	3.....	E1FZ-7D020-A
66179T.....	Ring, ATX Intermediate Clutch (2.072"OD) (Teflon) 1981-Up.....	3.....	E1FZ-7D020-A
66183.....	Ring, ATX Direct Clutch (1.572"OD) (Metal) 1981-Up.....	2.....	E1FZ-7D019-A
66183T.....	Ring, ATX Direct Clutch (1.572"OD) (Teflon) 1981-Up.....	2.....	E1FZ-7D019-A

PART #	WASHERS & BEARINGS	QTY.	REFERENCE #
66200.....	Washer Kit, ATX 1981-Up.....	1.....	
66201A.....	Bearing Kit, ATX (Torrington) 1981-Up.....	1.....	
66210.....	Washer, ATX Stator (.046") (# EA) 1981-Up.....	1.....	E1FZ-7D014-E
66210A.....	Washer, ATX Stator (.056") (# AA) 1981-Up.....	1.....	E1FZ-7D014-A
66210B.....	Washer, ATX Stator (.064") (# BA) 1981-Up.....	1.....	E1FZ-7D014-B
66210C.....	Washer, ATX Stator (.072") (# CA) 1981-Up.....	1.....	E1FZ-7D014-C
66210D.....	Washer, ATX Stator (.080") (# DA) 1981-Up.....	1.....	E1FZ-7D014-D
66211.....	Bearing W/Races, ATX Stator To Intermediate Drum (.140" Thick, 2.600"OD, 1.930"ID) 1981-Up.....	1.....	E1FZ-7F374-A
66211A.....	Bearing W/Races, ATX Stator To Intermediate Drum (.195" Thick, 2.718"OD, 1.930"ID) 1981-Up.....	1.....	
66226.....	Bearing, ATX Intermediate Drum To Direct Drum 1981-92.....	1.....	E1FZ-7F373-A
66226B.....	Washer, ATX Intermediate Drum To Direct Drum 1992-Up.....	1.....	
66229.....	Washer, ATX Direct Drum To Sprag 1981-Up.....	1.....	E1FZ-7A623-A
66232.....	Washer, ATX Direct Drum To Sun Gear (4 Tab) 1981-Up.....	1.....	E1FZ-7F369-A
66251.....	Washer, ATX Planet To Sun Gear Drum (Front) 1981-Up.....	1.....	E1FZ-7D423-A
66254.....	Bearing, ATX Ring Gear To Planet (Rear) 1981-Up.....	1.....	E1FZ-7F473-A
66257.....	Washer, ATX Low/Intermediate Drum To Final Drive Housing 1981-Up.....	1.....	E1FZ-7F368-A
66268.....	Bearing, ATX Final Drive Gear To Final Drive Housing 1981-Up.....	1.....	E1FZ-7F405-A
66271.....	Caged Needle Bearing, ATX Final Drive Input Gear (.775" Long) 1981-E83.....	1.....	E1FZ-7F403-A
66271A.....	Caged Needle Bearing, ATX Final Drive Input Gear (.845" Long) L1983-Up.....	1.....	F2FZ-7F403-A
66272.....	Bearing, ATX Final Drive Gear To Case 1981-Up.....	1.....	E1FZ-7F404-A
T66275.....	Axle Stabilizer, ATX (Teckpak) 1981-Up.....	1.....	86125LRB
66279.....	Caged Needle Bearing, ATX Final Drive Housing To Input Gear 1981-Up.....	1.....	E1FZ-7F380-A
66282.....	Cup Race, ATX Idler Gear (Fits 31 & 39 Teeth Gears) 1981-Up.....	2.....	JLM67041P
66283.....	Cone Bearing, ATX Idler Gear (Fits 31 & 39 Teeth Gears) 1981-Up.....	2.....	JLM67020P
66284K.....	Shim Kit, ATX Idler Gear (.005") (10 Per Pack) 1981-Up (Sonnax).....	1.....	86539-Z5
66288.....	Cup Race, ATX Differential (Both Sides) 1981-E83.....	2.....	
66289.....	Cone Bearing, ATX Differential (Both Sides) 1981-E83.....	2.....	
66289A.....	Ball Bearing, ATX Differential (Both Sides) L1983-Up.....	2.....	E3FZ-4221-B
66290A.....	Shim, ATX Differential Ball Bearings (Both Sides) L1983-Up.....	2.....	E3FZ-4067-A

PART #	GASKETS & RUBBER COMPONENTS	QTY.	REFERENCE #
66300.....	Gasket, ATX Bottom Pan (Cork) 1981-Up.....	1.....	
66302.....	Gasket, ATX Control Cover (Top Pan) (Cork) 1981-Up.....	1.....	E1FZ-7F396-A
66303.....	Gasket, ATX Differential Bearing Retainer 1985-Up.....	1.....	
66310.....	Gasket, ATX Pump 1981-Up.....	1.....	E1FZ-7A136-A
66311.....	O-Ring, ATX Pump 1981-Up.....	1.....	E1FZ-7A248-A
66320.....	Gasket, ATX Valve Body (Upper) 1981-Up.....	1.....	E8FZ-7D100-A
66321.....	Gasket, ATX Valve Body (Lower) 1981-Up.....	1.....	E8FZ-7C155-A
66332.....	Lip Seal, ATX Intermediate Clutch (Inner) 1981-Up.....	1.....	E1FZ-7F225-A
66333.....	Lip Seal, ATX Intermediate Clutch (Outer) 1981-Up.....	1.....	E1FZ-7F224-A

PART #	GASKETS & RUBBER COMPONENTS (Continued)	QTY.	REFERENCE #
66336	Lip Seal, ATX Direct Clutch (Inner) 1981-Up	1	E5FZ-7C099-A
66337	Lip Seal, ATX Direct Clutch (Outer)	1	
66338	Lip Seal, ATX Reverse Clutch (Inner) 1981-Up	1	E1FZ-7D404-A
66339	Lip Seal, ATX Reverse Clutch (Outer) 1981-Up	1	E1FZ-7D403-A
66339A	Seal, ATX Reverse Clutch Housing (Outer) 1981-Up	1	E1FZ-7A548-A
66345	Seal, ATX Governor Cover 1981-Up	1	N801011-S
66361A	Lip Seal, ATX Low/Intermediate Servo (Large) 1981-Up	1	E1FZ-7D024-A
66361B	Lip Seal, ATX Low/Intermediate Servo (Small) 1981-82	1	E1FZ-7D025-A
66361BA	Lip Seal, ATX Low/Intermediate Servo (Small) (2.281"ID) 1983-84	1	E3FZ-7D025-A
66361BB	Lip Seal, ATX Low/Intermediate Servo (Small) (2.309"ID) 1985-Up	1	E4FZ-7D025-A
66361BC	Lip Seal, ATX Low/Intermediate Servo (Small) 1985-Up	1	E5FZ-7D025-A
66361BD	Lip Seal, ATX Low/Intermediate Servo (Small) (2.281"ID) 1986-Up	1	E6FZ-7D025-A
66362A	O-Ring, ATX Low/Intermediate Servo Cover	2-3	E1FZ-7D026-A
66369	O-Ring, ATX Speed-O Housing 1981-Up	1	E0AZ-7F337-A
44371A	O-Ring, ATX Filler Tube 1981-82	1	6264902
44371B	Boot, ATX Filler Tube 1983-Up	1	1259475
66374	O-Ring, ATX Idler Gear Shaft 1981-Up	1	N800679-S
66379	Seal, ATX Oil Filter Gasket 1981-Up	1	E1FZ-7E062-A
66387	O-Ring, ATX Differential Retainer 1981-Up	1	
66390	External Seal Kit, ATX 1981-Up		

PART #	TECHNICAL MANUALS	QTY.	REFERENCE #
66400	Technical Manual, ATX 1981-Up	1	83-ATXTM

PART #	ELECTRICAL COMPONENTS	QTY.	REFERENCE #
66410	Neutral Switch, ATX 1981-Up	1	E1FZ-7A247-A

PART #	MISC. COMPONENTS	QTY.	REFERENCE #
M462F	Union, 5/16"	1	
26487	Grommet, ATX Linkage (5/16"ID)	1	D4AZ-7341-A
26487A	Grommet, ATX Linkage (5/8"ID)	1	
26487B	Grommet, ATX Passing Gear (Narrow Groove) Green	1	E0AZ-7F330-A
26487BA	Grommet, ATX Passing Gear (Wide Groove)	1	
26487BW	Grommet, ATX Passing Gear (Narrow Groove) Yellow	1	
26487C	E-Clips, ATX Linkage 1981-Up	1	
T76496C	Retaining Clip, ATX Cooler Line (Push In) (Teckpak)	1	S-190

PART #	HARD PARTS	QTY.	REFERENCE #
66500	Pump, ATX Washer Type (3 Holes For #210) Can Use 66500A	1	E1FZ-7A103-A
66500A	Pump, ATX Bearing Type (Can Use 66500)	1	
66510	Pump Body W/Gears, ATX 1981-Up	1	E1AZ-7D043-A
66520	Stator, ATX Washer Type (3 Holes For #210)	1	E6FZ-7A108-A
66520A	Stator, ATX Bearing Type	1	
66528	Sleeve, ATX Converter Turbine (Goes Inside Converter) 1981-Up	1	E7SZ-7A878-A
66529	Converter Reactor, ATX With 1/2" Conver Splines 1981-85	1	E1FZ-7A108-A
66529A	Converter Reactor, ATX With 7/16" Conver Splines 1986-L87	1	E6FZ-7A108-A
66529B	Converter Reactor, ATX With 1/2" Converter Splines L1987-Up	1	
66530	Gear Set, ATX Pump 1981-Up	1	
66543	Insert, ATX Oil Pump Drive Gear 1981-Up	1	E1FZ-7F402-A
66552	Drum, ATX Intermediate Clutch (4 Clutch) 1981-Up	1	E1FZ-7D044-A
66552A	Drum, ATX Intermediate Clutch (6 Clutch) 1983-Up	1	E3FZ-7D044-A
66555	Drum, ATX Direct Clutch (3 Clutch) (Uses A Bearing # 226) 1981-92	1	E4FZ-7F283-A
66555A	Drum, ATX Direct Clutch (4 Clutch) (Uses A Bearing # 226) 1981-92	1	E4FZ-7F283-B
66555BA	Drum, ATX Direct Clutch (3 Clutch) (Uses A Washer # 226) 1992-Up	1	
66557	Drum, ATX Low/Intermediate W/Sun Gear (52 Teeth) 1st Design 1981-84	1	E1FZ-7A626-A
66557A	Drum, ATX Low/Intermediate W/Sun Gear (56 Teeth) (5/8" Wide) 2nd Design 1984-87	1	E4FZ-7A626-A
66557B	Drum, ATX Low/Intermediate W/Sun Gear (56 Teeth) (3/4" Wide) 3rd Design 1988-Up	1	E7FZ-7A626-A
66562	Piston Kit, ATX Intermediate Clutch 1981-Up	1	
66565	Piston Kit, ATX Direct Clutch 1981-Up	1	
66566	Piston Kit, ATX Reverse Clutch 1981-Up	1	
66584	Planet, ATX 1st Design (29 Teeth Sun Gear # 614) 1981-E85	1	E1FZ-7A398-A
66584A	Planet, ATX 2nd Design (31 Teeth Sun Gear # 614) L1985-86	1	E4FZ-7A398-A
66584B	Planet, ATX 3rd Design (31 Teeth Sun Gear # 614) 1987-Up	1	E2FZ-7A398-A

66594.....	Ring Gear, ATX Planet 1st Design (29 Teeth Sun Gear # 614) 1981-E85	1	E3FZ-7A153-A
66594A	Ring Gear, ATX Planet 2nd Design (31 Teeth Sun Gear # 614) L1985-86	1	E4FZ-7A153-A
66594B	Ring Gear, ATX Planet 3rd Design (31 Teeth Sun Gear # 614) 1987-Up.....	1	E7FZ-7A153-A
66594C	Ring Gear, ATX Planet 4th Design (31 Teeth Sun Gear # 614) 1987-Up (Angled Teeth On Inside Are 7/8" Long That Planet Rides On)	1	
66614.....	Sun Gear, ATX 1st/3rd/Reverse (29 Teeth) 1981-E85	1	E3FZ-7N107-A
66614A	Sun Gear, ATX 1st/3rd/Reverse (31 Teeth) L1985-Up	1	E4FZ-7N107-A

PART #	SPRAGS & ONE WAY CLUTCHES	QTY.	REFERENCE #
66652.....	Sprag, ATX Intermediate 1981-Up	1	E1FZ-7A089-A

PART #	HARD PARTS (Continued)	QTY.	REFERENCE #
66671.....	Pump Shaft, ATX Oil Pump Drive 1981-Up.....	1	E1FZ-7B328-A
66673.....	Shaft, ATX Input 1981-Up	1	
66674.....	Shaft, ATX Intermediate 1981-Up	1	E1FZ-7F351-A
66679.....	Shaft, ATX Idler 1981-Up.....	1	
66680.....	Governor, ATX (10 Teeth, 1 Spring) 1981-Up.....	1	E1FZ-7C053-B
66680A	Governor, ATX (10 Teeth, 2 Spring) 1981-Up.....	1	
S66681-5.....	Pin, ATX Governor Body To Weights 9181-Up (Sonnax)	2	86412-01
66683.....	Gear, ATX Speed-O Drive Gear (2 Lug).....	1	E3FZ-17285-B
66683A	Gear, ATX Speed-O Drive Gear (4 Lug).....	1	E8FZ-17285-A
66683S	Gear, ATX Speed-O Drive Gear (Split Link) (For 2 Lug)	1	
66684K	Gear, ATX Governor Gear Kit 1981-Up	1	E2FZ-7F419-A
66686.....	Cover, ATX Governor 1981-Up.....	1	
66687.....	Retainer, ATX Governor Cover 1981-Up.....	1	
66710.....	Gear, ATX Final Drive Input (20 Teeth) (2 9/16" Long) 1981-Up	1	E3FZ-7F342-A
66710A	Gear, ATX Final Drive Input (22 Teeth) (2 9/16" Long) 1981-Up	1	E4FZ-7F342-A
66710B	Gear, ATX Final Drive Input (23 Teeth) (2 9/16" Long) 1981-Up	1	
66710C	Gear, ATX Final Drive Input (23 Teeth) (1 3/4" Long) 1981-Up	1	
66710D	Gear, ATX Final Drive Input (26 Teeth) (2 9/16" Long) 1981-Up	1	
66710E	Gear, ATX Final Drive Input (27 Teeth) (1 3/4" Long) (2 7/8" OD Of Gear) 1981-Up	1	E6FZ-7F342-A
66710F	Gear, ATX Final Drive Input (27 Teeth) (1 3/4" Long) (2 11/16" OD Of Gear) 1981-Up.....	1	
66710G	Gear, ATX Final Drive Input (27 Teeth) (2 9/16" Long) (2 7/8" OD Of Gear) 1981-Up	1	
66710H	Gear, ATX Final Drive Input (27 Teeth) (2 9/16" Long) (2 11/16" OD Of Gear) 1981-Up.....	1	
66710J	Gear, ATX Final Drive Input (29 Teeth) (2 9/16" Long) 1981-Up	1	
66710K	Gear, ATX Final Drive Input (31 Teeth) (2 9/16" Long) 1981-Up	1	
66710L	Gear, ATX Final Drive Input (33 Teeth) (2 9/16" Long) 1981-Up	1	
66710M	Gear, ATX Final Drive Input (34 Teeth) (2 9/16" Long) 1981-Up	1	
66714K	Idler Gear W/Bearing, ATX (26 Teeth) 1981-Up.....	1	
66714AK	Idler Gear W/Bearing, ATX (28 Teeth) 1981-Up.....	1	
66714BK	Idler Gear W/Bearing, ATX (31 Teeth) (Bearing # RTR0506M) 1981-Up.....	1	
66714CK.....	Idler Gear W/Bearing, ATX (31 Teeth) (Bearing # 4T-CR0584PX2) 1981-Up.....	1	
66714DK.....	Idler Gear W/Bearing, ATX (31 Teeth) (Bearing # 57446) 1981-Up	1	
66714EK.....	Idler Gear W/Bearing, ATX (31 Teeth) (Bearing # JLM67041P) 1981-Up.....	1	E4FZ-7F475-A
66714FK	Idler Gear W/Bearing, ATX (34 Teeth) 1981-Up.....	1	E73Z-7F475-A
66714GK	Idler Gear W/Bearing, ATX (39 Teeth) (Bearing # JLM67041P) 1981-Up.....	1	E6TZ-7F475-A
66714HK.....	Idler Gear W/Bearing, ATX (39 Teeth) (Bearing # 4T-CR-0584PX2) 1981-Up.....	1	
66714JK	Idler Gear W/Bearing, ATX (40 Teeth) 1981-Up.....	1	
66714LK	Idler Gear W/Bearing, ATX (41 Teeth) 1981-Up.....	1	
66714MK	Idler Gear W/Bearing, ATX (45 Teeth) 1981-Up.....	1	
66715.....	Differential Assembly, ATX (71 Teeth) (Ball Bearing Type) L1983-Up.....	1	31466-20300
66715A	Differential Assembly, ATX (83 Teeth) (Ball Bearing Type) L1983-Up	1	
66715B	Differential Assembly, ATX (86 Teeth) (Tapered Bearing Type) 1981-E83	1	
66715C	Differential Assembly, ATX (86 Teeth) (Ball Bearing Type) L1983-Up	1	
66715D	Differential Assembly, ATX (88 Teeth) (Ball Bearing Type) (1.029"ID Axle) L1983-Up	1	
66715E	Differential Assembly, ATX (88 Teeth) (Ball Bearing Type) (1.112"ID Axle, 23 Splines) L1983-Up	1	
66715EA.....	Differential Assembly, ATX (88 Teeth) (Ball Bearing Type) (1.112"ID Axle, 25 Splines) L1983-Up	1	
66725.....	Retainer, ATX Differential (Aluminum, Tapered Bearing Type) 1981-E83	1	E1FZ-7F447-A
66725A	Retainer, ATX Differential (Aluminum, Ball Bearing Type) L1983-E85	1	E3FZ-7F447-A
66725B	Retainer, ATX Differential (Steel, Ball Bearing Type) L1985-Up (Can Use 66725A).....	1	E5FZ-7F447-A
66735.....	Housing, ATX Final Drive Gear (Cast # 7F334) 1981-84	1	
66735A	Housing, ATX Final Drive Gear (Cast # RFE2) 1985-86	1	
66735B	Housing, ATX Final Drive Gear (Cast # RE6EP) L1986-Up.....	1	
66740.....	Valve Body, ATX 1981-82	1	
66740A	Valve Body, ATX 1983-86	1	
66740B	Valve Body, ATX 1987-Up	1	

PART #	VALVE BODY COMPONENTS	QTY.	REFERENCE #
S66741A-2.....	Sleeve, ATX Throttle Valve Plunger Sleeve (In Valve Body) (Sonnax)	1	86940-01
S66741B-2.....	Sleeve, ATX Throttle Control Valve Sleeve (Sonnax)	1	86940-03
S66741B-3K ...	Spring Set, ATX Throttle Control Valve (5 Per Set) (Sonnax)	1	86940-02
S66741E-3.....	Spring, ATX 1-2 Accumulator (Inner) Late (Sonnax)	1	
S66741TK.....	Valve & Sleeve, ATX Boost (Sonnax)	1	

PART #	HARD PARTS (Continued)	QTY.	REFERENCE #
66760.....	Case, ATX 1.6L (W/Tapered Differential Bearing) 1981-E83	1	
66760A.....	Case, ATX 1.6L (W/Roller Differential Bearing) L1983-84	1	
66760B.....	Case, ATX 1.6L (W/4 Mounting Holes Above Differential) 1985	1	
66760C.....	Case, ATX 1.6L (W/4 Mounting Holes Above Differential) 1986-Up	1	
66760D.....	Case, ATX 2.5L (Taurus, Sable) 1986-Up	1	
66765.....	Pan, ATX Bottom (Early Blue) 1981-E85	1	
66765A.....	Pan, ATX Bottom (Late, Gray or Black) L1985-86	1	
66765B.....	Pan, ATX Bottom 1987-Up	1	
66767.....	Pan, ATX Top 1981-Up	1	
66774.....	Housing, ATX Driven Speed-O 1981-Up	1	E7FZ-17K288-A
66775A.....	Converter Nut, ATX (Metric) 1981-Up	1	
66779K.....	Bolt Set, ATX Bottom Pan To Case	13	
66799.....	Nut, ATX Idler Gear	1	
66848G.....	Gear, ATX Driven Speed-O (23 Teeth) (Blue) 1981-UP	1	E5FZ-17271-A
66848H.....	Gear, ATX Speed-O Driven (25 Teeth) (Green) 1981-Up	1	E3FZ-17271-A
66848HA.....	Gear, ATX Speed-O Driven (25 Teeth) (Black) 1981-Up	1	E6FZ-17271-A
66848J.....	Gear, ATX Speed-O Driven (26 Teeth) (Natural) 1981-Up	1	E1FZ-17271-A
66852.....	Cushion, ATX Intermediate Clutch 1981-Up	1	
66854.....	Cushion, ATX Reverse Clutch 1981-Up	1	
66858.....	Cushion, ATX Direct Clutch 1981-Up	1	
66873.....	Snap Ring, ATX Holds Intermediate Pressure Plate In Drum (.053") 1981-Up	1	
66873A.....	Snap Ring, ATX Holds Intermediate Pressure Plate In Drum (.063") 1981-Up	1	
66873B.....	Snap Ring, ATX Holds Intermediate Pressure Plate In Drum (.074") 1981-Up	1	
66874.....	Snap Ring, ATX Holds Intermediate Retainer In Drum 1981-Up	1	
66878.....	Snap Ring, ATX Holds Direct Clutch Pressure Plate In Drum (.054") 1981-Up	1	
66878A.....	Snap Ring, ATX Holds Direct Clutch Pressure Plate In Drum (.066") 1981-Up	1	
66878B.....	Snap Ring, ATX Holds Direct Clutch Pressure Plate In Drum (.079") 1981-Up	1	
66879.....	Snap Ring, ATX Holds Direct Retainer In Drum 1981-Up	1	
66880.....	Snap Ring, ATX Holds Intermediate Shaft To Drum 1981-Up	1	
66892.....	Snap Ring, ATX Holds Reverse Clutch Pressure Plate In Case 1981-Up	1	
66896.....	Snap Ring, ATX Holds Low/Intermediate Servo In 1981-Up	1	
66905.....	Servo Assembly, ATX Low/Intermediate (W/No Groove Apply Pin) 1981-Up	1	
66905A.....	Servo Assembly, ATX Low/Intermediate (W/1 Groove Apply Pin) 1981-Up	1	
66905B.....	Servo Assembly, ATX Low/Intermediate (W/2 Groove Apply Pin) 1981-Up	1	
66905C.....	Servo Assembly, ATX Low/Intermediate (W/3 Groove Apply Pin) (Cast # P) 1981-Up	1	
66905CA.....	Servo Assembly, ATX Low/Intermediate (W/3 Groove Apply Pin) (Cast # E) 1981-Up	1	
66905D.....	Servo Assembly, ATX Low/Intermediate (W/4 Groove Apply Pin) 1981-Up	1	
66905E.....	Servo Assembly, ATX Low/Intermediate (W/5 Groove Apply Pin) 1981-Up	1	
66906.....	Spring, ATX Low/Intermediate Servo 1981-Up	1	
66907.....	Piston, ATX Low/Intermediate Servo 1981-Up	1	
66908.....	Pin, ATX Low/Intermediate Servo (No Groove) 1981-Up	1	
66908A.....	Pin, ATX Low/Intermediate Servo (1 Groove) 1981-Up	1	
66908B.....	Pin, ATX Low/Intermediate Servo (2 Groove) 1981-Up	1	
66908C.....	Pin, ATX Low/Intermediate Servo (3 Groove) 1981-Up	1	
66908D.....	Pin, ATX Low/Intermediate Servo (4 Groove) 1981-Up	1	
66908E.....	Pin, ATX Low/Intermediate Servo (5 Groove) 1981-Up	1	
66909.....	Cover, ATX Low/Intermediate Servo 1981-Up	1	
66956.....	Housing, ATX Reverse Piston 1981-Up	1	
66962.....	Piston, ATX Intermediate Clutch 1981-Up	1	
66965.....	Piston, ATX Direct Clutch 1981-Up	1	
66966.....	Piston, ATX Reverse Clutch 1981-Up	1	
66972.....	Retainer W/Spring, ATX Intermediate Clutch 1981-Up	1	E3FZ-7F222-A
66975.....	Retainer W/Spring, ATX Direct Clutch 1981-Up	1	
66976.....	Retainer W/Spring, ATX Reverse Clutch 1981-Up	1	
66991.....	Linkage Assembly, ATX Internal 1981-Up	1	
66992.....	Shift Lever, ATX External 1981-83	1	
66992B.....	Shift Lever, ATX External (F3 Cast #) 1984-86	1	
66992E.....	Shift Lever, ATX External (F6 Cast #) 1987-Up	1	
66995.....	Park Pawl Assembly, ATX 1981-UP	1	

FORD



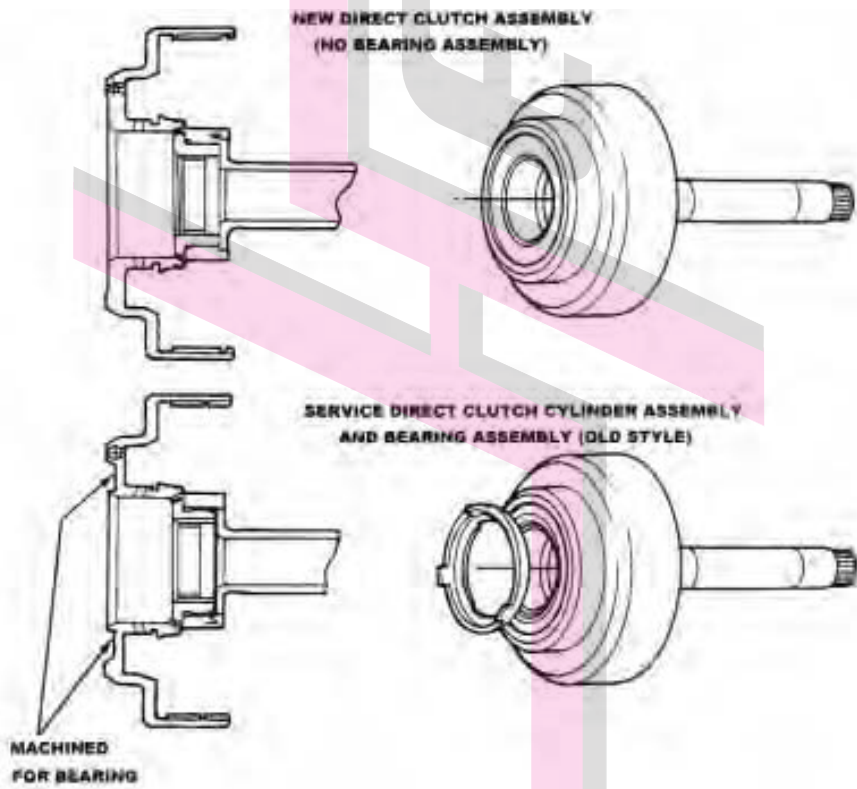
Technical Bulletin #450

Transmission: ATX
 Subject: Direct to intermediate clutch bearing omitted
 Application:
 Issue Date: January, 1998

ATX

Direct to Intermediate Clutch Bearing Omitted

1993 and later model ATX transaxles do not use a bearing between the direct and intermediate clutch drums. These drums are fully interchangeable with earlier drums, however, the drum that does not use the bearing can not be used in an application that uses the split torque converter (with planet). All other style ATX converters connect the direct and intermediate drums together, therefore, a bearing is not needed.



FORD