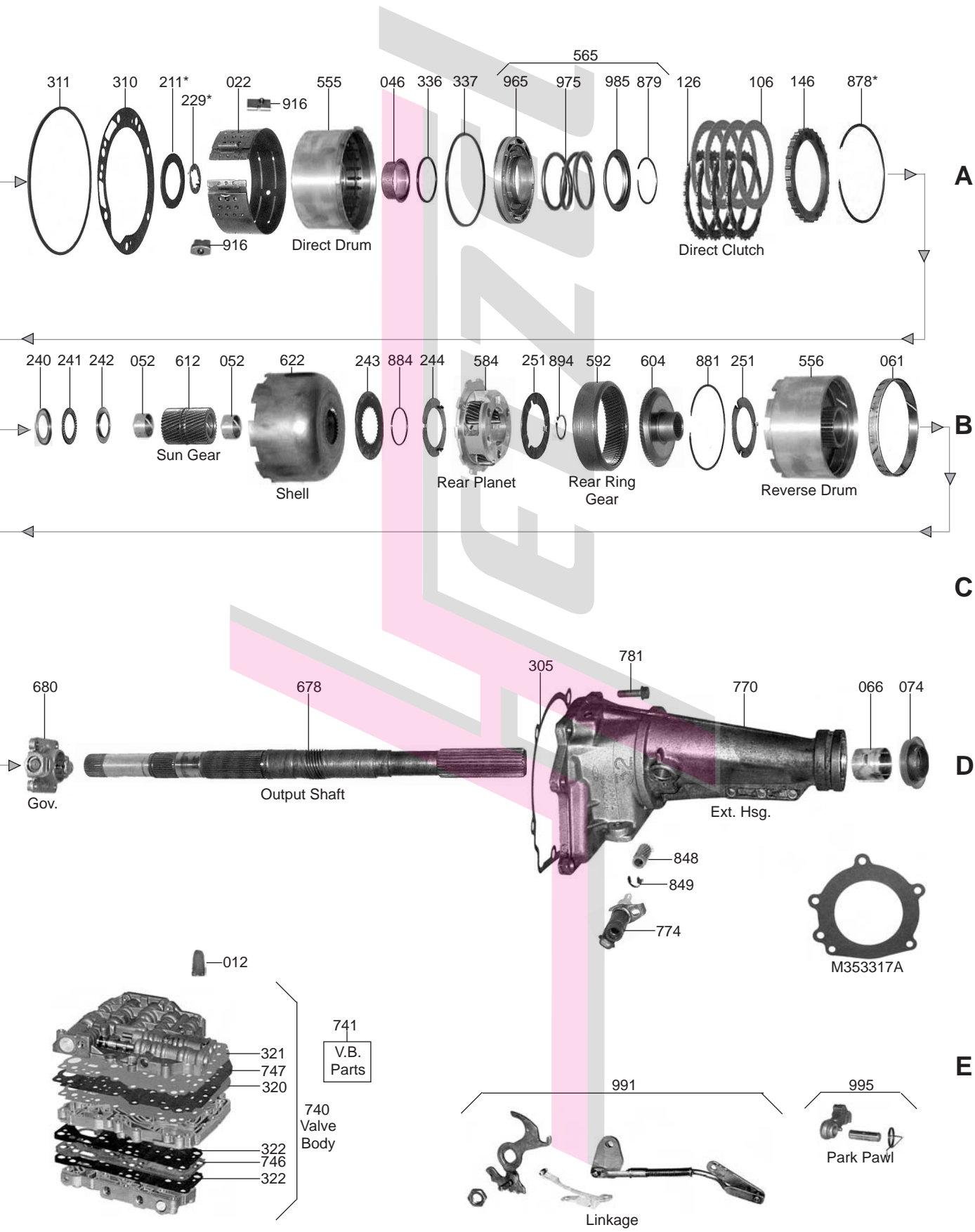


- 000 P&R Kit
- 002 OHK Kit
- 004 Master L/Steels Kit
- 006 Master W/Steels Kit
- 011 Filter Kit
- 030 Bushing Kit
- 119 Friction Module
- 139 Steel Module
- 165 V.B. Kit
- 175 Ring Kit
- 200 Washer Kit
- 390 External Seal Kit
- 400 Tech Manual

FORD



FORD

PART #	PAPER & RUBBER KIT	QTY.	REFERENCE #
26000.....	Paper & Rubber Kit, C-4 1964-69 .....	1 .....	
26000C.....	Paper & Rubber Kit, C-4 1970-83 .....	1 .....	
26000E.....	Paper & Rubber Kit, C-5 1982-86 .....	1 .....	
PART #	OVERHAUL KITS	QTY.	REFERENCE #
26002.....	Overhaul Kit, C-4 1964-69 .....	1 .....	
26002C.....	Overhaul Kit, C-4 Combo 1970-83.....	1 .....	
26002E.....	Overhaul Kit, C-5 1982-86 .....	1 .....	
PART #	MASTER L/STEEL KIT	QTY.	REFERENCE #
26004.....	Master L/Steels Kit, C-4 1964-69.....	1 .....	
26004C.....	Master L/Steels Kit, C-4 Combo 1970-83 .....	1 .....	
26004E.....	Master L/Steels Kit, C-5 1982-86.....	1 .....	
PART #	MASTER W/STEEL KIT	QTY.	REFERENCE #
26006.....	Master W/Steels Kit, C-4 1964-69.....	1 .....	
26006C.....	Master W/Steels Kit, C-4 Combo 1970-83.....	1 .....	
26006E.....	Master W/Steels Kit, C-5 1982-86.....	1 .....	
PART #	FILTER	QTY.	REFERENCE #
26010.....	Filter, C-4 1964.....	1 .....	C4AZ-7A098-B
26010A.....	Filter, C-4 1965-69 .....	1 .....	C5AZ-7A098-C
26010B.....	Filter, C-4 Flat (Shallow Pan) 1970-83.....	1 .....	D0DZ-7A098-B
26010C.....	Filter, C-4 W/Hump (Deep Pan) 1974-83.....	1 .....	D4FZ-7A098-A
26010D.....	Filter, C-4 Bronco (4x4) 1973-77.....	1 .....	D3BZ-7A098-A
26010E.....	Filter, C-5 (2WD) 1982-86.....	1 .....	E2DZ-7A098-A
26010EA.....	Filter, C-5 (4x4) 1982-86 .....	1 .....	E3TZ-7A098-A
26010G.....	Filter, C-4 (Felt) (Flat) Shallow Bottom 1970-83.....	1 .....	
PART #	FILTER KIT	QTY.	REFERENCE #
26011.....	Filter Kit, C-4 1964 (Cork) .....	1 .....	
26011A.....	Filter Kit, C-4 1965-69 (Cork) .....	1 .....	
26011B.....	Filter Kit, C-4 Flat (Shallow Pan) 1970-83 (Cork).....	1 .....	
26011C.....	Filter Kit, C-4 W/Hump (Deep Pan) 1974-83 (Cork).....	1 .....	
26011D.....	Filter Kit, C-4 Bronco (4x4) 1973-77 (Cork) .....	1 .....	
26011E.....	Filter Kit, C-5 (2WD) 1982-86 (Cork).....	1 .....	
26011EA.....	Filter Kit, C-5 (4x4) 1982-86 (Cork).....	1 .....	
26011G.....	Filter Kit, C-4 (Felt) (Flat) Shallow Bottom 1970-83 (Cork).....	1 .....	
PART #	MISC. FILTERS	QTY.	REFERENCE #
26012.....	Screen, C4/C5 Pump Inlet .....	1 .....	
26014.....	Screen, C-4 Governor .....	1 .....	C7AZ-7E424-A
PART #	BANDS	QTY.	REFERENCE #
26022.....	Band, C-4/C-5 Intermediate (Flex) 1965-86.....	1 .....	D9AZ-7D034-C
26022K.....	Band, C-4/C-5 Intermediate (Flex) 1965-86 Kevlar.....	1 .....	
26022A.....	Band, C-4 Intermediate (Rigid) (1.280") W/Arrow 1964-E65 .....	1 .....	
26022AA.....	Band, C-4 Intermediate (Rigid) (1.280") No Arrow 1964-E65 .....	1 .....	
26022B.....	Band, C-4 Intermediate (Rigid) (2.100") 1965-67.....	1 .....	
26022S.....	Band, C-4/C-5 Intermediate (Slip-In Or Snap) 1965-86.....	1 .....	D9AZ-7D034-A
26024.....	Band, C-4/C-5 Reverse (Rear) 1964-86 .....	1 .....	D0AZ-7D095-A
PART #	BUSHINGS	QTY.	REFERENCE #
26030.....	Bushing Kit, C-4 1964-69 .....	1 .....	
26030B.....	Bushing Kit, C-4/C-5 1970-86 .....	1 .....	
26034.....	Bushing, C-4/C-5 Pump (Babbitt).....	1 .....	C0AP-7B258-A
26034A.....	Bushing, C-4/C-5 Pump (Bronze) .....	1 .....	
26036.....	Bushing, C-4 Front Stator 1964-69 .....	1 .....	C4AZ-7B261-A
26036A.....	Bushing, C-4/C-5 Front Stator 1970-86 .....	1 .....	D0AZ-7B261-A

26037	Bushing, C-4/C-5 Rear Stator 1970-86	1	D0AZ-7D018-A
26037A	Bushing, C-4 Rear Stator 1964-69	1	C4AZ-7D018-B
26046	Bushing, C-4 Direct Drum 1964-69	1	C4AZ-7D046-A
26046A	Bushing, C-4/C-5 Direct Drum 1970-86	1	D0AP-7D046-B
26050	Bushing, C-4/C-5 Forward Clutch Hub	1	C6AZ-7E059-A
26052	Bushing, C-4/C-5 Sun Gear	2	C4AZ-7D065-A
26061	Bushing, C-4/C-5 Reverse Brake Drum	1	C4AZ-7D001-A
26064	Bushing, C-4/C-5 Case	1	C4AZ-7D001-A
26066	Bushing, C-4/C-5 Extension Housing (1.500"ID) (Babbit) 1964-86	1	

PART #	METAL CLAD SEALS	QTY.	REFERENCE #
36070	Seal, C-4/C-5 Front (W/Out Flange)	1	C2AZ-7A248-A
36070A	Seal, C-4/C-5 Front (With Flange)	1	C3OP-7A248-A
36072	Seal, C-4/C-5 Linkage	1	D5AZ-7B498-A
44074	Seal, C-4/C-5 Rear (Small W/Out Boot)	1	
44074B	Seal, C-4/C-5 Rear (Small W/Long Boot)	1	
44074C	Seal, C-4/C-5 Rear (Small W/Short Boot)	1	
26074T	Seal, C-4/C-5 Rear (Large, Truck W/Bolt On Yoke)	1	

PART #	FRICTION CLUTCH	QTY.	REFERENCE #
26106	Friction, C-4/C-5 Direct Clutch (.078") (Waffle) 1965-86	3-4	C5AZ-7B164-D
26106A	Friction, C-4 Direct Clutch (.093") (Waffle) 1964-65	3-4	C4AP-7B164-B
26106G	Friction, C-4/C-5 Direct Clutch (.078") (Parallel Grooves) 1981-86	3-4	E2SZ-7B164-A
26106HD	Friction, C-4/C-5 Direct Clutch (.078") (Heavy Duty) 1965-86	3-4	
26106HP	Friction, C-4/C-5 Direct Clutch (.078") (Hi Performance) 1965-86	3-4	
26108	Friction, C-4/C-5 Forward Clutch (.061") (Smooth) 1964-86	4-5	
26108HD	Friction, C-4/C-5 Forward Clutch (.061") (Heavy Duty) 1964-86	4-5	
26108HP	Friction, C-4/C-5 Forward Clutch (.061") (Hi Performance) 1964-86	4-5	
26108S1	Friction, C-4/C-5 Forward Clutch (.061") (Smooth) (Stage 1) 1964-86 (Also Fits C-4/C-5 Direct Clutch 1964-86)	4-5	
26119	Friction Module, C-4/C-5 1964-Up	1	
26119HP	Friction Module, C-4/C-5 (Hi-Performance) Blue Plates 1964-Up	1	
26119AHP	Friction Module, C-4/C-5 (Hi Performance) Indy Reds 1964-Up	1	

PART #	STEEL CLUTCH	QTY.	REFERENCE #
26126	Steel, C-4 Forward & Direct Clutch (C-5 Forward) (.078") 1964-86	3-4	
26126A	Steel, C-4 Forward Clutch 1964-67	3-4	
26126B	Steel, C-4 Forward & Direct Clutch (C-5 Forward) (.078") 1964-86 (Kolene)	3-4	
26126C	Steel, C-4/C-5 Direct Clutch (.060") (Thin) 1964-86	3-4	
26126E	Steel, C-5 Direct Clutch (.090") 1982-86	3-4	
26126X	Steel, C-4/C-5 Forward & Direct Clutch (.095") Oversized 1964-86	AR	
26139	Steel Module, C-4 1964-83	1	
26139E	Steel Module, C-5 1982-86	1	

PART #	CLUTCH PRESSURE PLATES	QTY.	REFERENCE #
26146	Pressure Plate, C-4/C-5 Forward & Direct Clutch (Top)(.220")(28 Teeth)(3.573"ID)	1	
26146A	Pressure Plate, C-4/C-5 Forward & Direct Clutch (Top)(.141")(28 Teeth)(3.573"ID)	1	E1AZ-7B066-B
26146B	Pressure Plate, C-4/C-5 Forward & Direct Clutch (.297") Top	1	E2SZ-7B066-B
26149	Pressure Plate, C-4/C-5 Forward Clutch (.267") Bottom	1	
26149A	Pressure Plate, C-4/C-5 Forward Clutch (.313") Bottom	1	E1AZ-7B066-A

PART #	MODULATORS	QTY.	REFERENCE #
26160	Modulator, C-4 White Stripes (Screw In) 1964-72	1	C4AZ-7A377-B
26160A	Modulator, C-4 Dual Red Stripe (Push In) 1973-76	1	D3OZ-7A377-A
26160B	Modulator, C-4 Single Blue Stripe	1	D9AZ-7A377-A
26160G	Modulator, C-4/C-5 Single Green Stripe (Push In) 1974-86	1	D5AZ-7A377-B
26160W	Modulator, C-5 Single White Stripe (Push In) 1982-86	1	E2TZ-7A377-A
26160Y	Modulator, C-4 Single Yellow Stripe (Push In) 1973-83	1	D2AZ-7A377-A
44162	Hose, C-4/C-5 Modulator (Elbow)	1	
26163	Valve, C-4 Under Modulator Pin (.435"OD) (For Screw In Type Modulator) 1966-72	1	
26163A	Valve, C-4/C-5 Under Modulator Pin (.375"OD) (For Push In Type Modulator) 1972-86	1	
26164	Modulator Pin, C-4/C-5	1	

FORD

PART #	VALVE BODY KITS	QTY.	REFERENCE #
T26165	Shift Kit, C-4 All 1964 & Early 65 Mustang (Corrects, Reduces Chatter & Spin Up)	1	SK® 4
T26165A	Shift Kit, C-4 1965-66 Except 64 1/2 Mustang (Corrects, Reduces Soft Shifts Spin Up 3-2, Long 2-3)	1	SK® 4L
T26165C	Shift Kit, C-4 1967-69 (6 Cylinder Only) Was T26165B But Now Included In T26165C)	1	SK® 4S
T26165E	Shift Kit, C-4 1970-72 (Corrects, Reduces Soft 2-3, 2nd Band Failure, Kickdown To Easy, Provides More Overall Line For Kickdowns)	1	SK® 4-71
T26165F	Shift Kit, C-4/C-5 1973-Up (Corrects, Reduces Shuttle Shifts, 3-2 Cut Loose, 2nd Band Failure, No Reverse Hot, 1-2 Slide, Soft 2-3)	1	SK® C5
T26169	Reprogramming Kit, C-4 1967-69 Automatic Shift, Heavy Duty, Competition / Off Road / Heavy Duty	1	47-2
T26169A	Reprogramming Kit, C-4 1970-Up Automatic Shift, Heavy Duty, Competition / Off Road / Heavy Duty	1	40-2
T26171	Reprogramming Kit, C-4 1967-69 Stick Shift Full Manual Converts Back To Auto C-5 Heavy Duty &	1	47-3
	Hi Performance Use 1973-Up C-4 Valve Body & Filter With 40-2 Kit		
T26171A	Reprogramming Kit, C-4 1970-Up Stick Shift Full Manual Converts Back To Auto	1	40-3

PART #	OIL SEALING RINGS	QTY.	REFERENCE #
26175	Ring Kit, C-4 1964-69	1	
26175A	Ring Kit, C-4 1970-77	1	
26175AT	Ring Kit, C-4 1970-77 (Teflon)	1	
26175B	Ring Kit, C-4/C-5 1978-86	1	
26175BT	Ring Kit, C-4/C-5 (Teflon) 1978-86	1	
26175C	Ring Kit, C-4/C-5 Combo 1970-86	1	
26179	Ring, C-4 Direct Clutch (1.750"OD) (.093" Wide) Metal 1964-69	2	0445-016-002A
26179A	Ring, C-4/C-5 Direct Clutch (1.800"OD) (.093" Wide) Metal 1970-86	2	C4AZ-7D011-A
26181	Ring, C-4 Forward Clutch (1.707"OD) (.093" Wide) Metal 1964-69	2	C4AZ-7D019-B
26181A	Ring, C-4 Forward Clutch (1.757"OD) (.093" Wide) Metal 1970-77	2	D0AZ-7A019-A
26181B	Ring, C-4/C-5 Forward Clutch (1.757"OD) (.123" Wide) Metal 1978-86	2	D7AZ-7D019-A
26189	Ring, C-4/C-5 Governor (2.687"OD) (.093" Wide) Metal 1964-86	3	C4AZ-7D011-A
26189T	Ring, C-4/C-5 Governor (2.687"OD) (.093" Wide) Teflon 1964-86	3	

PART #	WASHERS & BEARINGS	QTY.	REFERENCE #
26200	Washer Kit, C-4 1964-69	1	
26200C	Washer Kit, C-4/C-5 1970-86	1	
26211	Washer, C-4 Stator To Direct Drum W/Out Tangs (.040") 1964-66	1	C4AZ-7D014-A
26211A	Washer, C-4 Stator To Direct Drum W/Out Tangs (.055") 1964-66	1	C4AZ-7D014-B
26211B	Washer, C-4 Stator To Direct Drum W/Out Tangs (.072") 1964-66	1	C4AZ-7D014-C
26211BA	Washer, C-4/C-5 Stator To Direct Drum W/Tangs (.072") 1966-86	1	D0AZ-7D014-A
26211C	Washer, C-4/C-5 Stator To Direct Drum W/Out Tangs (.089") 1966-86	1	C4AZ-7D014-D
26211CA	Washer, C-4/C-5 Stator To Direct Drum W/Tangs (.089") 1966-86	1	D0AZ-7D014-B
26211D	Washer, C-4/C-5 Stator To Direct Drum W/Out Tangs (.106") 1966-86	1	C4AZ-7D014-E
26211DA	Washer, C-4/C-5 Stator To Direct Drum W/Tangs (.106") 1966-86	1	D0AZ-7D014-C
26211EA	Washer, C-4/C-5 Stator To Direct Drum W/Tangs (.123") 1966-86	1	D0AZ-7D014-D
26211GA	Washer, C-4/C-5 Stator To Direct Drum W/Tangs (.140") 1966-86	1	D0AZ-7D014-K
26211K	Washer Kit, C-4 Stator To Direct Drum W/Out Tangs 1964-66	1	
26211AK	Washer Kit, C-4 Stator To Direct Drum W/Tangs 1967-Up	1	
26229	Washer, C-4/C-5 Stator To Forward Drum #1 (.042") 1964-86	1	D0AZ-7D091-F
26229A	Washer, C-4/C-5 Stator To Forward Drum #2 (.057") 1964-86	1	D0AZ-7D091-B
26229B	Washer, C-4/C-5 Stator To Forward Drum #3 (.074") 1964-86	1	D0AZ-7D091-C
26229C	Washer, C-4/C-5 Stator To Forward Drum #4 (.091") 1964-86	1	D0AZ-7D091-J
26229D	Washer, C-4/C-5 Stator To Forward Drum #5 (.108") 1964-86	1	D0AZ-7D091-K
26229K	Washer Kit, C-4/C-5 Stator To Forward Drum 1964-86	1	
26232	Washer, C-4 Forward Drum To Clutch Hub (7 Tabs & 4 Rectangle Holes) 1964-69	1	C4AZ-7D090-A
26232A	Washer, C-4/C-5 Forward Drum To Clutch Hub (6 Tabs & 3 Round Holes) 1970-86	1	D0AZ-7D090-A
26235	Washer, C-4/C-5 Hub To Front Planet	1	C4AZ-7A242-A
26240	Race, C-4/C-5 Front Planet To Sun Gear (Front) Stays In Planet	1	
26241	Bearing, C-4/C-5 Front Planet To Sun Gear (Stays In Planet)	1	
26242	Race, C-4/C-5 Front Planet To Sun Gear (Rear)	1	
26243	Race, C-4/C-5 Input Shell To Rear Planet	1	
26244	Washer, C-4 Input Shell To Rear Planet 1964-71 (Use 26235)	1	C4AZ-7A242-A
26244B	Washer, C-4/C-5 Shell To Rear Planet (3 Tabs)(2.150"ID) 1972-86	1	D2OZ-7A242-A
26251	Washer, C-4 Rear Planet To Rear Hub & Rear Hub To Reverse Drum (3 Inner Tabs)(2.050"ID) (Can Use 26251A) 1964-79	2	C4AZ-7C096-A
26251A	Washer, C-4/C-5 Rear Planet To Rear Hub To Rear Hub To Reverse Drum (3 Outer Tabs) (2.050"ID) 1980-86 (Can Use 26251)	2	E0AZ-7C096-B

26257.....	Washer, C-4/C-5 Rear Sprag Inner Race To Case (2 Wide ID Tabs & 2 ID Cut-Outs) 1964-69 .....(Can Use 26257A) .....	1 .....	E0AZ-7D072-A
26257A.....	Washer, C-4/C-5 Rear Sprag Inner Race To Case (2 Narrow ID Tabs & No Cut-Outs) 1970-86.....	1 .....	
26263.....	Washer, C-4/C-5 Case To Parking Gear (Steel)(With 3 Outer Notches)(1.215"ID) 1964-86 .....	1 .....	C4AZ-7B368-A

PART #	GASKETS & RUBBER COMPONENTS	QTY.	REFERENCE #
26300.....	Gasket, C-4/C-5 Bottom Pan 1964-86 (Cork) .....	1 .....	
26300F.....	Gasket, C-4/C-5 Bottom Pan 1964-86 (Farpak).....	1 .....	
26305.....	Gasket, C-4/C-5 Extention Housing 1964-86.....	1 .....	C4AZ-7B442-C
26305A.....	Gasket, Extention Housing Bronco 4x4 .....	1 .....	
26307.....	Gasket, C-4/C-5 Front Servo Cover 1964-86.....	1 .....	C4AZ-7D026-C3
26310.....	Gasket, C-4/C-5 Pump 1964-86.....	1 .....	E1AZ-7A136-A
26311.....	O-Ring, C-4 Pump 1964-65 .....	1 .....	376950-S
26320.....	Gasket, C-4 Valve Body 1964-66.....	1 .....	C5AZ-7D100-B
26320A.....	Gasket, C-4 Valve Body 1967-69.....	1 .....	
26320B.....	Gasket, C-4 Valve Body (In Line 6 Cylinder & V6) 1970-83.....	1 .....	D4OP-7D100-A
26320BA.....	Gasket, C-4 Valve Body (4 Cylinder & V6) 1970-83 .....	1 .....	D7FZ-7D100-A
26320E.....	Gasket, C-5 Valve Body 1982-86.....	1 .....	E3DZ-7D100-A
26322.....	Gasket, C-5 3-2 Timing Body Seperator 1982-86.....	1 .....	E2DZ-7F497-A
26326.....	Gasket, C-4 Filter (Paper) 1973-83.....	1 .....	D3BZ-7E062-A
26327.....	Gasket, C-4 Modulator To Case (Screw In Type Modulator).....	1 .....	C2AP-7B426-A
26334.....	O-Ring, C-4 Forward Clutch Piston Inner 1964-69 .....	1 .....	B5AZ-7A294-E
26334A.....	O-Ring, C-4/C-5 Forward Clutch Piston Inner 1970-86 .....	1 .....	DOAZ-7A294-A
26335.....	Lathe Cut Seal, C-4 Forward Clutch Piston Outer 1964-78.....	1 .....	C4AZ-7A548-C
26335A.....	Lip Seal, C-4/C-5 Forward Clutch Piston Outer 1978-86.....	1 .....	D8OZ-7A548-A
26336.....	O-Ring, C-4 Direct Clutch Piston (Inner) 1964-67.....	1 .....	B5AZ-7A294-E
26336A.....	Lathe Cut Seal, C-4 Direct Clutch Piston (Inner) 1968-69.....	1 .....	C8AZ-7D404-B
26336B.....	Lathe Cut Seal, C-4/C-5 Direct Clutch Piston (Inner) 1970-86 .....	1 .....	DOAP-7D404-A
26337.....	Lathe Cut Seal, C-4 Direct Clutch Piston (Outer) 1964-5/81 .....	1 .....	C8AZ-7A548-B
26337A.....	Lip Seal, C-4/C-5 Direct Clutch Piston (Outer) 6/81-1986 .....	1 .....	E1AZ-7A548-A
26346.....	O-Ring, C-4/C-5 Modulator (Use 36349) .....	2 .....	1P-77265-B
26349.....	O-Ring, C-4/C-5 Detent & Modulator .....	2 .....	386078-S
26361.....	Seal, C-4 Intermediate Servo.....	1 .....	
26361A.....	Lathe Cut Seal, C-4 Intermediate Servo (Small 1.823"ID) 1965-70.....	1 .....	C5ZZ-7D025-A
26361AA.....	Lathe Cut Seal, C-4 Intermediate Servo (Small 1.945"ID) 1965-74 .....	1 .....	C5DZ-7D025-A
26361AB.....	Lathe Cut Seal, C-4 Intermediate Servo (Small 2.060"ID) 1964-77 .....	1 .....	C4DZ-7D025-A
26361AC.....	Lathe Cut Seal, C-4 Intermediate Servo (Small 2.271"ID) 1964-83.....	1 .....	D9FZ-7D025-A
26361AD.....	O-Ring, C-5 Intermediate Servo (Small 2.237"ID) 1982-86 .....	1 .....	E2SZ-7D025-A
26361AE.....	O-Ring, C-5 Intermediate Servo (Small 2.362"ID) 1982-86 .....	1 .....	E2DZ-7D025-A
26361AG.....	Lathe Cut Seal, C-4 Intermediate Servo (Small 2.381"ID) 1964-83.....	1 .....	D9AZ-7D025-A
26361AH.....	Lathe Cut Seal, C-4 Intermediate Servo (Small 2.505"ID) 1964-83.....	1 .....	D5TZ-7D025-A
26361AJ.....	O-Ring, C-5 Intermediate Servo (Small 2.550"ID) 1982-86 .....	1 .....	E1AZ-7D025-A
26361AK.....	O-Ring, C-5 Intermediate Servo (Small 2.612"ID) 1982-86 .....	1 .....	E1AZ-7D025-B
26361AL.....	Lathe Cut Seal, C-4 Intermediate Servo (Small 2.687"ID) 1965-68.....	1 .....	C5AZ-7D025-A
26361AM.....	Lathe Cut Seal, C-4 Intermediate Servo (Small 3.060"ID) 1965-68.....	1 .....	
26361B.....	Lathe Cut Seal, C-4 Intermediate Servo (Large 2.807"ID) 1970-77.....	1 .....	DOAZ-7D024-A
26361BA.....	Lathe Cut Seal, C-4 Intermediate Servo (Large 2.867"ID) 1972-83.....	1 .....	D2DZ-7D024-A
26361BB.....	Lathe Cut Seal, C-4 Intermediate Servo (Large 3.390"ID) 1964-83.....	1 .....	D5TZ-7D024-A
26361BC.....	O-Ring, C-5 Intermediate Servo (Large) (3.487"ID) 1982-86.....	1 .....	E1AZ-7D024-A
26364.....	Lathe Cut Seal, C-4/C-5 Reverse Servo Cover 1964-86 .....	1 .....	DOAZ-7D040-A
103368.....	O-Ring, C-4/C-5 Speed-O Housing.....	1 .....	87036594
44371A.....	O-Ring, C-4/C-5 Filler Tube .....	1 .....	6264902
26378.....	O-Ring, C-4/C-5 Cooler Lines & Fittings .....	4 .....	38892-S94
26385.....	Hockey Puck, C-4/C-5 Intermediate Accumulator Check Valve Seal (Rubber) 1964-86 .....	1 .....	D9AZ-7D376-A
56385.....	Orifice Puck, C-5 Intermediate Accumulator Check Valve Seal (White Plastic) 1982-86.....	1 .....	
26390.....	External Seal Kit, C-4/C-5 W/Pan Gasket 1966-86.....	1 .....	

PART #	TECHNICAL MANUALS	QTY.	REFERENCE #
26400.....	Technical Manual, C-4/C-5.....	1 .....	83-C5TM

PART #	ELECTRICAL COMPONENTS	QTY.	REFERENCE #
26410.....	Switch, C-4 Neutral Safety (With 1 Round 4 Blade Connector) .....	1 .....	E2DZ-7A347A
26410C.....	Switch, C-4 Neutral Safety (With 2 Flat 1 Pin/1Hole Connector)(These Are For .....Australia/New Zealand).....	1 .....	
26414.....	Switch, C-4 Spark Control.....	1 .....	D2AZ-7E440-A

PART #	MISC. COMPONENTS	QTY.	REFERENCE #
26487	Grommet, C-4/C-5 Linkage Grommet 5/16"ID	1	D4AZ-7341-A
26487A	Grommet, C-4/C-5 Linkage Grommet 5/8"ID	1	
26487B	Grommet, Ford Passing Gear (Narrow Groove) (Green)	1	E0AZ-7F330-A
26487BA	Grommet, Ford Passing Gear (Wide Groove) (Black)	1	
26487BW	Grommet, Ford Passing Gear (Narrow Groove) (Yellow)	1	
26487C	E-Clip, C-4/C-5	1	

PART #	HARD PARTS	QTY.	REFERENCE #
26500	Pump, C-4 (O-Ring Type) (Uses A No Tang Washer #211) 1964-66	1	C4AZ-7A103-G
26500A	Pump, C-4 (Uses A Washer #211 With Tangs) 1967-69	1	
26500B	Pump, C-4 1970-77 (Can Use 26500C If Customer Has The Wide Rings # 26181B)	1	D0AZ-7A103-A
26500C	Pump, C-4 1978-83	1	D7AZ-7A103-A
26500D	Pump, C-5 Lock-Up 1982-86	1	E2SZ-7A103-A
26510	Pump Body W/Gears, C-4 (O-Ring Type) 1964-66	1	
26510A	Pump Body W/Gears, C-4/C-5 (W/Out O-Ring) 1966-86	1	
26520	Stator, C-4 (Uses A Washer #211 With No Tangs) 1964-66 (Uses .790"ID Bushings & .093" Wide Rings #181)	1	
26520A	Stator, C-4 (Uses A Washer #211 With Tangs) 1966-69 (Uses .790"ID Bushings & .093" Wide Rings #181)	1	D0AZ-7A108-A
26520AA	Stator, C-4 1970-77 (Uses .845" Wide Bushings & .093" Wide Rings #181)	1	
26520B	Stator, C-4 (W/Spring) 1978-83 (Uses .845"ID Bushings ^ .123" Wide Rings #181)	1	D7AZ-7A108-A
26520C	Stator, C-5 (W/Out Spring) 1982-86 (Uses .845" ID Bushings & .123" Wide Rings #181)	1	E2SZ-7A208-A
26530	Pump Gears, C-4/C-5	1	C4AZ-7C010-F
26554	Drum, C-4 Forward (4 Clutch) (24 Spline) 1964-69	1	
26554A	Drum, C-4 Forward (5 Clutch) (24 Spline) 1964-69	1	
26554AC	Drum, C-4 Forward Clutch (5 Clutch) (26 Spline) 1970 Only	1	D0AZ-7A360-A
26554AE	Drum, C-4 Forward Clutch (5 Clutch) (24 Spline) 1971-80	1	D8OZ-7A360-A
26554B	Drum, C-4/C-5 Forward Clutch (5 Clutch) (24 Spline) 1981-86	1	E1DZ-7A360-A
26555A	Drum, C-4 Direct Clutch (4 Clutch) (2 7/16" Tall) 1964 Only	1	
26555AA	Drum, C-4 Direct Clutch (4 Clutch) (2 11/16" Tall) 1964-69	1	
26555B	Drum, C-4 Direct Clutch (4 Clutch) 1970-81	1	
26555C	Drum, C-5 Direct Clutch (3 Clutch) 1982-86	1	
26556	Drum, C-4/C-5 Reverse (Rear Band Drum) 1964-86	1	
26564	Piston Kit, C-4 Forward Clutch (2.250"ID) (Cast #C4-AP) 1964-69	1	
26564A	Piston Kit, C-4/C-5 Forward Clutch (2.300"ID) (Cast #RF-DO) 1970-Up	1	
26565	Piston Kit, C-4 Direct Clutch (1 Spring Type) 1970-83	1	
26565A	Piston Kit, C-5 Direct Clutch (1 Spring Type) 1982-86	1	
26565AA	Piston Kit, C-4 Direct Clutch (10 Spring Type) 1964-69	1	
26574	Hub, C-4 Forward Clutch (W/Out Bushing) 1964	1	
26574A	Clutch Hub, C-4 Forward Clutch 1965-80	1	
26574B	Hub, C-4/C-5 Forward Clutch 1981-86	1	
26582	Planet, C-4 Front (Uses A 3 Piece Bearing Inside) 1964-83	1	
26582A	Planet, C-5 Front (Uses A 1 Piece Bearing Inside) 1982-86	1	
26584	Planet, C-4/C-5 Rear 1964-86	1	
26592	Ring Gear, C-4/C-5 Front & Rear Planet 1964-86	2	
26604	Hub, C-4/C-5 Output Shaft 1964-86	1	
26612	Sun Gear, C-4 W/Small Lube Holes 1964-80	1	
26612A	Sun Gear, C-4/C-5 W/large Lube Holes 1981-86	1	
26622	Shell, C-4/C-5 Primary Sun Gear 1965-86	1	

PART #	SPRAGS & ONE WAY CLUTCHES	QTY.	REFERENCE #
26654K	Sprag Kit, C-4 Spring & Roller Kit 1964-81	1	C4AZ-7D098-A
26654AK	Sprag Kit, C-5 Spring & Roller Kit 1982-86	1	

PART #	HARD PARTS (Continued)	QTY.	REFERENCE #
26664	Inner Race, C-4 Sprag 1964-73	1	
26664A	Inner Race, C-4/C-5 Sprag 1974-86	1	
26665	Outer Race, C-4 Sprag 1964-E73	1	
26665A	Outer Race, C-4/C-5 Sprag L1973-86	1	
26670	Input Shaft, C-4 (24 & 24 Spline) 1964-69	1	
26670A	Input Shaft, C-4 (26 & 26 Spline) 1970 Only	1	
26670B	Input Shaft, C-4/C-5 (26 & 24 Spline) 1974-86	1	

26678.....	Output Shaft, C-4/C-5 2WD (7 Teeth Speed-O Gear).....	1
26678A.....	Output Shaft, C-4/C-5 2WD (8 Teeth Speed-O Gear).....	1
26678AB.....	Output Shaft, C-4/C-5 (8 Teeth Speed-O Gear) 1965-Up.....	1
26678B.....	Output Shaft, C-4/C-5 (9 Teeth Speed-O Gear) 1965-Up.....	1
26678C.....	Output Shaft, C-4/C-5 (Bolt On Yoke Type).....	1
26678D.....	Output Shaft, C-4 4x4 (12" Long).....	1
26678E.....	Output Shaft, C-4/C-5 4x4 (13 1/4" Long).....	1
26680.....	Governor, C-4 1964-72.....	1
26680A.....	Governor, C-4 (Orange Ink Identification) 1973-83.....	1
26680B.....	Governor, C-5 (Pink/Black Ink Identification).....	1
26685.....	Support, C-4/C-5 Governor.....	1
26690.....	Gear, C-4/C-5 Parking.....	1
26697.....	Oil Distribution Sleeve, C-4/C-5 1970-86.....	1
26740.....	Valve Body, C-4 (8 Bolt) 1965-66 (Detents On Manual Valve).....	1
26740A.....	Valve Body, C-4 (9 Bolt) 1970-83.....	1
26740B.....	Valve Body, C-4 (9 Bolt) Pinto 1973-83.....	1
26740C.....	Valve Body, C-5 Lock-Up 1982-86.....	1
26740D.....	Valve Body, C-4 (8 Bolt) 1967-69 (Detents On Manual Valve).....	1
26740E.....	Valve Body, C-4 (8 Bolt) 1970 (W/Slider Manual Valve).....	1

PART #	VALVE BODY COMPONENTS	QTY.	REFERENCE #
26741-1K.....	Check Valve & Spring, C-4 (Under Filter).....	1	D5AZ-7E368-A
S26741TK.....	Boost Valve & Sleeve, C-4/C-5 (Hi-Performance) (Sonnax).....	1	
A26741V-5.....	Check Ball, C-4/C-5 Valve Body (.212")(Rubber).....	AR	
26746.....	Plate, C-5 Lock-Up 1982-86.....	1	
26747.....	Plate, C-4 Valve Body Separator 1970-83.....	1	

PART #	HARD PARTS (Continued)	QTY.	REFERENCE #
26750AC.....	Bell Housing, C-4 (4 Cylinder) Top Bolts 5 1/8" (3 Bolt Starter) Bolts To Pump.....	1	
26750AD.....	Bell Housing, C-4 (4 Cylinder) Top Bolts 4 3/4" (3 Bolt Starter At 11:00) Cast #D8BP 7976AA (Bolts To Pump).....	1	
26750BD.....	Bell Housing, C-4 (V-6) Top Bolts 3 1/2" (Bolts To Pump).....	1	
26750CA.....	Bell Housing, C-4 (302) With 10 3/4" Converter (W/Out Cable Mount Holes) Bolts To Pump.....	1	
26750CB.....	Bell Housing, C-4 (302) With 11 3/4" Converter (W/Cable Mount Holes) Bolts To Pump.....	1	
26750CC.....	Bell Housing, C-4 (302) With 12 3/4" Converter (W/Cable Mount Holes) Bolts To Pump.....	1	
26750CD.....	Bell Housing, C-4 (302) With 12 3/4" Converter (W/Out Cable Mount Holes) Bolts To Pump.....	1	
26750CE.....	Bell Housing, C-4 (302) With 12 3/4" Converter (W/Cable Mount Holes) Bolts To Case.....	1	
26750CF.....	Bell Housing, C-4 (302) With 12 3/4" Converter (W/Out Cable Mount Holes) Bolts To Case.....	1	
26750D.....	Bell Housing, C-4 (460 Big Block) Bolts To Case.....	1	
26750EA.....	Bell Housing, C-5 (Top Bolts 5") (W/Cable Mount Holes) Bolts To Pump 1982-86.....	1	
26750EB.....	Bell Housing, C-5 (Top Bolts 5") (W/Out Cable Mount Holes) Bolts To Pump 1982-86.....	1	
26750EC.....	Bell Housing, C-5 (Top Bolts 5") (With Cable Mount Holes) Bolts To Case 1982-86.....	1	
26750EG.....	Bell Housing, C-5 (Top Bolts 7") Bolts To Pump 1982-86.....	1	
26760.....	Case, C-4 (Screw In Modulator) Bell Bolts To Pump 1964-66 (Uses A Pump Body With O-Ring).....	1	
26760A.....	Case, C-4 (Screw In Modulator) Bell Bolts To Pump 1966-72 (Uses A Pump Body With No O-Ring).....	1	
26760AC.....	Case, C-4 Screw In Modulator) Bell Bolts To Case 1966-72 (Humpback Case) (Uses A Pump Body With No O-ring).....	1	
26760B.....	Case, C-4 (Push In Modulator) Bell Bolts To Pump 1972-83.....	1	
26760C.....	Case, C-4 (Push In Modulator) Bell Bolts To Case 1972-83 (Humpback Case).....	1	
26760D.....	Case, C-4/C-5 (Push In Modulator) Bell Bolts To Pump 1982-86 (Fine Thread Band Adjustment).....	1	
26760E.....	Case, C-4/C-5 (Push In Modulator) Bell Bolts To Case 1982-86 (Fine Thread Band Adjustment).....	1	
26765.....	Pan, C-4 2WD (Less Filler Tube) (Filler Tube Screws Into Pan).....	1	
26765A.....	Pan, C-4 2WD (Filler Tube Is In The Case).....	1	
26765B.....	Pan, C-5 Lock-Up 2WD 1982-86.....	1	
26765C.....	Pan, C-4 4x4 (Has Filler Tube In Case) Flat Bottom.....	1	
26765D.....	Pan, C-4 4x4 (W/Hump) (Filler Tube Is In The Case).....	1	
26770.....	Extension Housing, C-4/C-5 2WD (Car) W/Vent 1970-Up.....	1	
26770A.....	Extension Housing, C-4/C-5 (Truck, Bolt-On Type Yoke) 1970-86.....	1	
26770B.....	Extension Housng, C-4/C-5 4x4 (6 3/4" Aluminum).....	1	
26770C.....	Extension Housng, C-4 2WD (No Vent) 1964-69.....	1	
26775.....	Converter Nut, C-4/C-5 Flange Type.....	4	
26775A.....	Converter Nut, C-4/C-5 Self Locking.....	4	
26775C.....	Converter Plug, C-4/C-5 Allen Head.....	1	
26775D.....	Converter Plug, C-4/C-5 7/16" Hex Head.....	1	
S36779.....	Pan Bolt, C-4 (Sonnax).....	AR	



PART #	HARD PARTS (Continued)	QTY.	REFERENCE #
26797	Nut, C-4/C-5 Holds On Detent Lever	1	
26843	Bracket, C-4/C-5 Modulator	1	
26877	Snap Ring, C-4/C-5 Holds Forward Clutch Return Spring In (.082" Thick)(5"OD)	1	
26878	Snap Ring, C-4/C-5 Forward & Direct Clutch (.060"-.066")	1	
26878A	Snap Ring, C-4/C-5 Forward & Direct Clutch (.070"-.080")	1	
26878B	Snap Ring, C-4/C-5 Forward & Direct Clutch (.088"-.094")	1	
26878C	Snap Ring, C-4/C-5 Forward & Direct Clutch (.102"-.106")	1	
26879	Snap Ring, C-4/C-5 Holds Direct Clutch Retainer In	1	
26881	Snap Ring, C-4/C-5 Holds Forward Clutch Hub To Front Ring Gear & Gear	2	
26884	Snap Ring, C-4/C-5 Holds Bowl To Sun Gear	1	
26894	Snap Ring, C-4/C-5 Holds Rear Hub To Output Shaft (Wire Type) (Can Use 26895)	1	
26895	Snap Ring, C-4/C-5 Holds Governor Support To Output Shaft (.050" Thick With 2 Eyelets)	1	
26905	Servo Assembly, C-4/C-5 Intermediate	1	
S26905AA	Servo Assembly, C-4/C-5 Intermediate (Shelby Hi-Performance) Sonnax (Purple Anodized Cover)	1	
S26905AB	Servo Assembly, C-4/C-5 Intermediate (Shelby Hi-Performance) Sonnax (Non-Anodized Cover)	1	
26906	Spring, C-4/C-5 Intermediate Servo Return	1	
26907	Piston, C-4/C-5 Intermediate Servo	1	
26909	Cover, C-4/C-5 Intermediate Servo	1	
26911	Spring, C-4/C-5 Reverse Servo	1	
26912	Piston, C-4/C-5 Reverse Servo	1	D1AZ-7D189-A
26914	Cover, C-4/C-5 Reverse (Rear) Servo	1	
26916	Strut Assembly, C-4/C-5 Intermediate Band	1	
26917	Strut Assembly, C-4/C-5 Reverse (Rear) Band	1	
26919	Bolt, C-4 Band Adjusting (Coarse Thread) 1964-81	1-2	
26919A	Bolt, C-4/C-5 Band Adjusting (Fine Thread) 1982-86	1-2	
26922	Nut, C-4 Band Adjustment (Coarse Thread) 1964-81	1-2	380850-S
26922A	Nut, C-4/C-5 Band Adjustment (Fine Thread) 1982-86	1-2	389049-S
26964	Piston, C-4/C-5 Forward Clutch	1	
26965	Piston, C-4/C-5 Direct Clutch	1	
26974	Spring, C-4/C-5 Forward Clutch Return	1	E1AZ-7B070-A
26975	Spring, C-4/C-5 Direct Clutch Return	1	
26985	Retainer, C-4/C-5 Direct Clutch Spring	1	
26989	Retainer, C-4 Sprag (W/Out Springs) 1964-81	1	D807-7D191-A
26989A	Retainer, C-5 Sprag (With Snap On Springs) 1982-86	1	
26991	Linkage Assembly, C-4/C-5 Internal	1	
26991-1	Kickdown Lever, C-4 (Internal)	1	
26995	Park Pawl Assembly, C-4/C-5	1	
26996	Fitting, C-4/C-5 Cooler Line (90 Degree Elbow) (5/16" Line x 1/8" Pipe Thread) Screw In Flared	1	E2SZ-7D273-A
26996A	Fitting, C-4/C-5 Cooler Line (Straight) (5/16" Line x 1/8" Pipe Thread) Screw In Flared	1	
26997	Lever, C-4/C-5 Detent	1	
26999	Tube Set, C-4/C-5 Oil	1	

FORD

As Seen In  
Transmission  
**TECH/TALK**  
Automotive Technical Newsletters

## Ford Escort Squealing Noise

**Complaint:**

A Ford Escort with the F4EAT transaxle exhibits a squealing-type noise that is coming from the bellhousing and converter area. The first impression is a torque-converter problem. However, replacing the converter doesn't make the noise go away.

**Cause:**

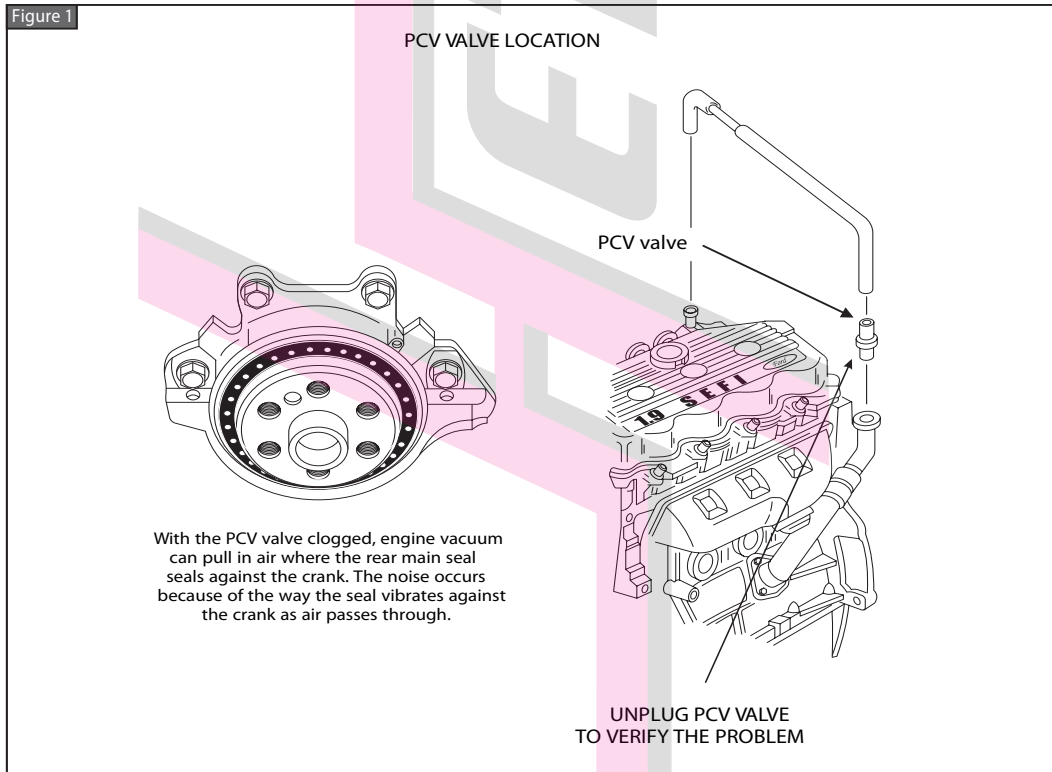
This condition may be caused by a clogged PCV pollution-control valve. If the valve won't allow air to be drawn through it, engine vacuum may become strong enough to pull in air through the rear-main engine seal. If this occurs, a high-pitched squealing noise may result from the vibration of the seal against the

crankshaft as air is pulled through the seal into the engine (see Figure 1). Disconnect the PCV valve as shown in Figure 1 to verify that it is the problem. The squealing should stop immediately.

**Correction:**

Replacing the PCV valve will correct this problem. See Figure 1.

TD



©2006 Transmission Digest