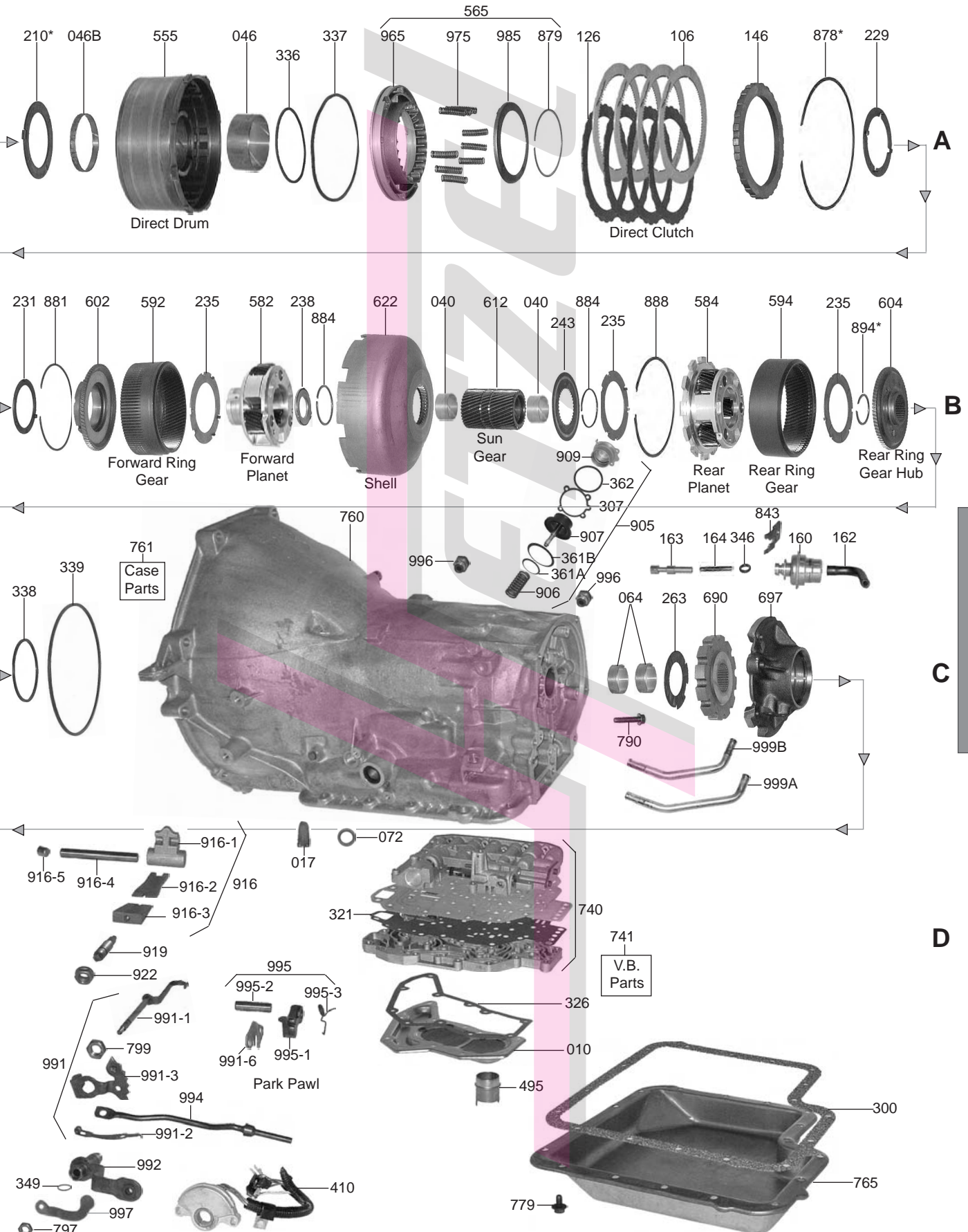
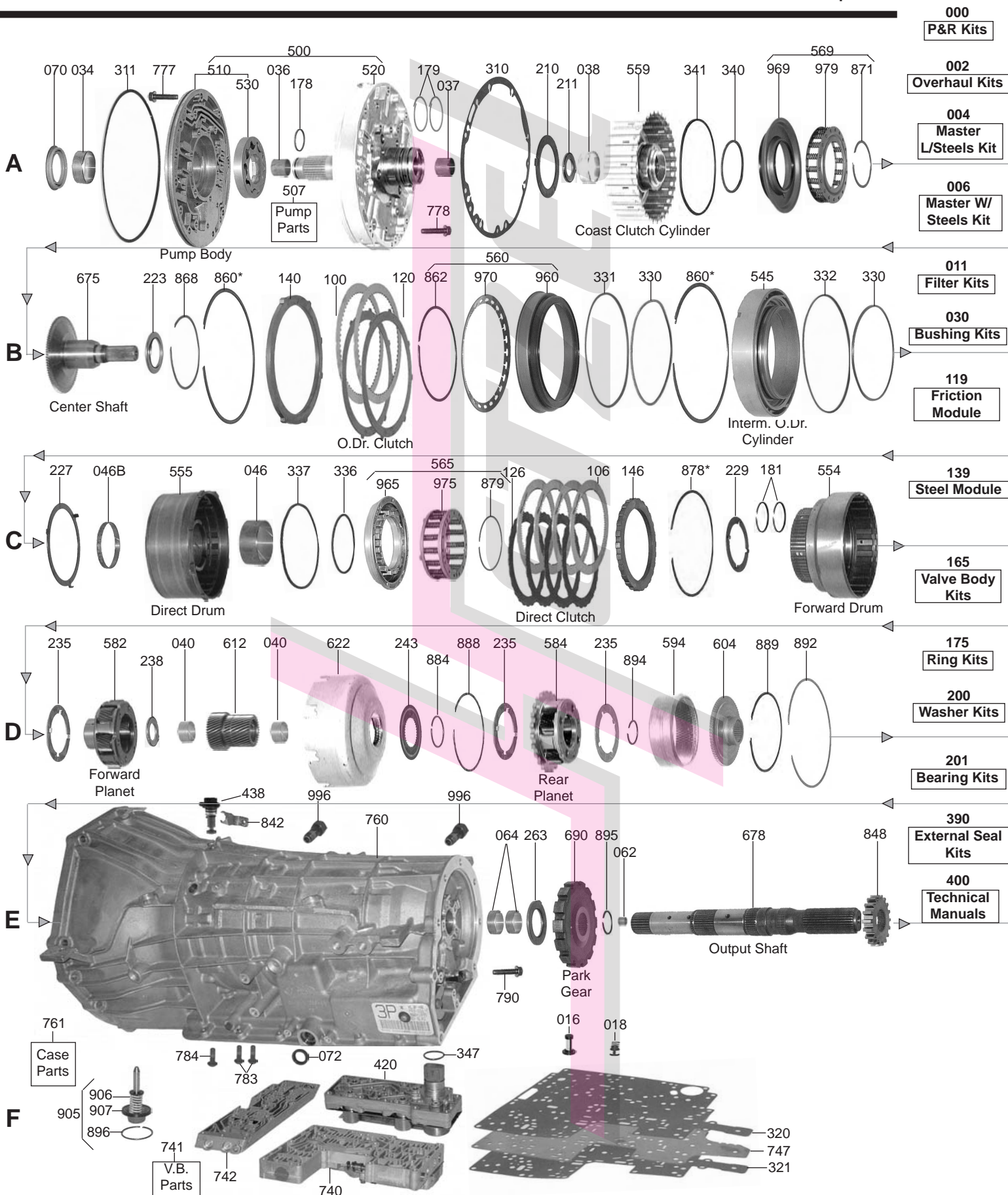


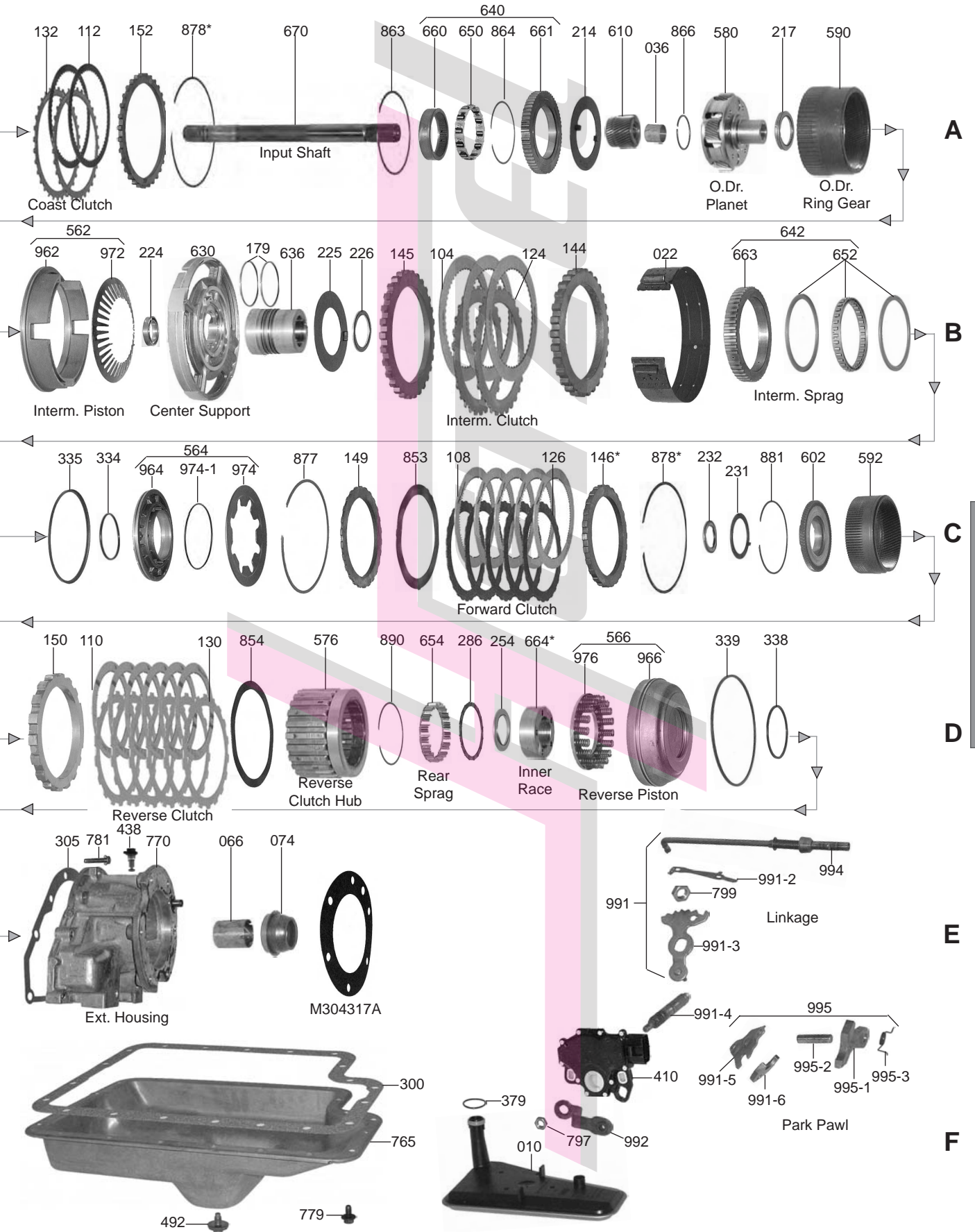
FORD



FORD

FORD





FORD

C6 / E4OD / 4R100

RWD 3 & 4 Speed

FORD

PART #	PAPER & RUBBER KIT	QTY	REFERENCE #
36000	Paper & Rubber Kit, C-6 1966-E76	1	
36000C	Paper & Rubber Kit, Combo 1968-Up	1	
36000E	Paper & Rubber Kit, E4OD 1989-95	1	

PART #	OVERHAUL KITS	QTY	REFERENCE #
36002	Overhaul Kit, C-6 1966-E76	1	
36002C	Overhaul Kit, C-6 Combo 1968-Up	1	
36002E	Overhaul Kit, E4OD 1989-95	1	
36002EB	Overhaul Kit, E4OD/4R100 (Cork) 1996-Up (W/2.506"OD Rear Seal) For 4R100 W/PTO You Must Sell 36301 Also (For Super Duty You Must Sell The 36074E 3.180"OD Rear Seal)	1	
36002EBW	Overhaul Kit, E4OD/4R100 (Bonded Pan Gasket) 1996-Up (W/2.506"OD Rear Seal) (.015" Valve Body Gasket) 4R100 W/PTO You Must Sell 36301 Also (For Super Duty You Must Sell The 36074E, 3.180"OD Rear Seal)	1	

PART #	MASTER L/STEEL KIT	QTY	REFERENCE #
36004	Master L/Steels Kit, C-6 1966-E67	1	
36004A	Master L/Steels Kit, C-6 L1967-E76	1	
36004B	Master L/Steels Kit, C-6 L1976-Up	1	
36004BS1	Master L/Steels Kit, C-6 (Stage 1) L1976-Up	1	
36004E	Master L/Steels Kit, E4OD 1989-95	1	
36004EB	Master L/Steels Kit, E4OD (W/72 Teeth Reverse Frictions) 1996-3/97	1	
36004EBW	Master L/Steels Kit, E4OD (With 72 Teeth Reverse Frictions)(With Bonded Pan Gasket) 1996-E97	1	
36004ED	Master L/Steels Kit, E4OD/4R100 (W/24 Teeth Reverse Frictions) 4/97-Up (W/2.506"OD Rear Seal) (For 4R100 W/PTO You Must Sell 36301 Also) (This Kit Has The 50 Teeth Intermediate Friction. If customer Has 60 Teeth Friction He Must Use 36555CK)	1	
36004EG	Master L/Steels Kit, 4R100 (24 Teeth Reverse & 32 Teeth Overdrive Frictions) 1998-Up (2.506"OD Rear Seal) (With PTO You Must Sell 36301 Also)	1	

PART #	MASTER W/STEEL KIT	QTY	REFERENCE #
36006	Master W/Steels Kit, C-6 1966-E67	1	
36006A	Master W/Steels Kit, C-6 L1967-E76	1	
36006B	Master W/Steels Kit, C-6 L1976-Up	1	
36006E	Master W/Steels Kit, E4OD 1989-95	1	
36006EB	Master W/Steels Kit, E4OD (W/72 Teeth Reverse Frictions) 1996-3/97	1	
36006ED	Master W/Steels Kit, E4OD/4R100 (W/24 Teeth Reverse Frictions) 4/97-UP (W/2.506"OD Rear Seal) (For 4R100 W/PTO You Must Sell 36301 Also)(This Kit Has The 50 Teeth Intermediate Friction. If Customer Has 60 Teeth Friction He Must Use 36555CK)	1	
36006EG	Master W/Steels Kit, 4R100 (24 Teeth Reverse & 32 Teeth Overdrive Frictions) .125" Intermediate Steels 1998-Up (2.506"OD Rear Seal) With PTO You Must Sell 36301 Also (For Super Duty You Must Use The 36074E 3.180"OD Rear Seal)	1	

PART #	FILTER	QTY	REFERENCE #
36010A	Filter, C-6 2WD 1966-74	1	C6AZ-7A098-B
36010B	Filter, C-6 2WD 1975-Up	1	D5AZ-7A098-A
36010C	Filter, C-6 4x4 1973-Up	1	D3TZ-7A098-A
36010E	Filter, E4OD/4R100 2WD 1989-Up	1	E9TZ-7G186-BA
36010EA	Filter, E4OD/4R100 4X4 1989-Up	1	E9TZ-7A098-B

PART #	FILTER KIT	QTY	REFERENCE #
36011A	Filter Kit, C-6 2WD 1966-74	1	
36011B	Filter Kit, C-6 2WD 1975-Up	1	
36011C	Filter Kit, C-6 4x4 1973-Up	1	
36011E	Filter Kit, E4OD/4R100 2WD 1989-Up	1	
36011EA	Filter Kit, E4OD/4R100 4x4 1989-Up	1	

PART #	MISC. FILTERS	QTY	REFERENCE #
36014	Screen, C-6 Governor	1	D0AZ-7E387-A
36016	Screen, E4OD/4R100 Solenoids (Fits On Seperator Plate)	1	E9TZ-7G308-B
36017	Screen, C-6 Pump Inlet	1	
36018	Screen W/Spring, E4OD Intermediate Accumulator 1991-96 (Sets in Case Under Spacer Plate)	1	F1TZ-7H194-A

PART #	BANDS	QTY	REFERENCE #
36022	Band, C-6 Intermediate (Flex)	1	D9AZ-7D034-B
36022A	Band, C-6 Intermediate (Rigid) 2" Wide	1	
36022B	Band, C-6 Intermediate (Rigid) 2 1/4" Wide 1967-69	1	
36022E	Band, E4OD/4R100 Intermediate (Flex) 1989-Up	1	E9TZ-7D034-A
36022K	Band, C-6 Intermediate (Flex)(Raybestos Pro Series)	1	
36022S	Band, C-6 Intermediate (Slip On or Snap Band)	1	

PART #	BUSHINGS	QTY	REFERENCE #
36030	Bushing Kit, C-6 1966-Up	1	
36030E	Bushing Kit, E4OD/4R100 1989-Up	1	
36034	Bushing, C-6/E4OD Pump Body (Babbitt)(.760" Tall)	1	C6AZ-7B258-A
36034B	Bushing, C-6 Pump Body (Bronze) (.755" Tall)	1	E0AZ-7B258-A
36034E	Bushing, E4OD Pump Body (Bronze)(Aftermarket)(.760" Tall) 1989-95	1	
36034EB	Bushing, E4OD/4R100 Pump Body (.702" Tall) 1996-Up (Can Use 76034)	1	
76034	Bushing, E4OD/4R100 Pump (Bronze) (.702" Tall) 1996-Up	1	
36036	Bushing, C-6/E4OD/4R100 Stator (Front) & Overdrive Sun Gear	1-2	C6AZ-7B261-C
36037	Bushing, C-6/E4OD/4R100 Stator (Rear)	1	C6AZ-7D018-A
36038	Bushing, E4OD Coast Clutch Drum (Bronze) 1989-97 (Use 56046B)	1	
36038A	Bushing, E4OD/4R100 Coast Clutch Drum (Bronze) 1998-Up	1	
36040	Bushing, C-6/E4OD/4R100 Sun Gear (Primary)	2	C6AZ-7D065-A
36046	Bushing, C-6 Direct Drum (Rear)(1.241" Wide)	1	C6AZ-7D046-A
36046A	Bushing, E4OD/4R100 Direct Drum (Rear) (1.111" Wide)	1	
36046B	Bushing, C-6/E4OD/4R100 Direct Drum (Front)(.359" Wide)	1	C6AZ-7D046-B
56046B	Bushing, E4OD Coast Clutch Drum (Bronze) 1989-97	1	
56062	Bushing, E4OD Output Shaft Pilot	1	
56062A	Bearing, E4OD Output Shaft Pilot (Use 56268)	1	
56268	Bearing, E4OD Output Shaft Pilot	1	
36064	Bushing, C-6/E4OD/4R100 Case (W/3 Oil Grooves) Fits C-6 Front & E4OD/4R100 Front & Rear (2 Piece Type)	1-2	C6AZ-7025-D
36064B	Bushing, C-6 Case (Rear) W/Out Oil Groove (2 Piece Type)	1	C6AZ-7025-B
36064BA	Bushing, C-6/E4OD/4R100 Case (W/1 Oil Groove) (Rear) (2 Piece Type)	1	
S36064H	Bushing, C-6/E4OD Case (Early 1 Piece Type)Sonnax 1989-94 (With 3 Grooves To The Front)	1	
S36064HX	Bushing, C-6/E4OD Case (Early 1 Piece Type) Sonnax (Oversized)	1	
	Use With T-36008A, T-36605-03, T-36605-04	1	36008A
S36064HA	Bushing, E4OD/4R100 Case (Sold Separately) Sonnax 1995-Up (Late 1 Piece Type)(With 3 Grooves To The Front & 1 To The Back)	1	
S36064HAX	Bushing, E4OD/4R100 Case (Late 1 Piece Type) Sonnax (Oversized)	1	
	Use With T-36008A, T-36605-03, T-36605-04	1	
36066	Bushing, C-6/E4OD/4R100 Extension Housing (1.690"ID)(Bronze)	1	B5AZ-7A034-A
36066B	Bushing, C-6 Extension Housing (Babbitt)	1	C1VY-7A034-A
36066D	Bushing, 4R100 Extension Housing (Super Duty)(1.890"ID) 1998-Up (Teflon Coated)	1	
36066T	Bushing, C-6/E4OD/4R100 Extension Housing (Teflon Coated)	1	
T-36008A	Installation Tool, Rear Case Bushing (Sonnax)	1	
T-36605-03	Reamer, Case Bushing (S36064HX & S36064HAX) (Sonnax)	1	
T-36605-04	Fixture, Case Bushing Reamer (T-36605-03) (Sonnax)	1	

PART #	METAL CLAD SEALS	QTY	REFERENCE #
36070	Seal, C-6 Front Pump W/Out Flange	1	C2AZ-7A248-A
36070A	Seal, C-6 Front Pump W/Flange (.320" Thick)	1	C3OP-7A248-A
76070A	Seal, C-6 Front Pump W/Flange (.360" Thick)	1	
76070B	Seal, E4OD/4R100 Front Pump W/Flange (Black Viton) 1992-Up	1	
36070C	Seal, E4OD/4R100 Front Pump W/Flange (Brown Viton) 1992-Up	1	
36070E	Seal, E4OD/4R100 Front Pump W/Flange (National) 1992-Up	1	
36072	Seal, C-6/E4OD/4R100 Linkage Shaft	1	D5AZ-7B498-A
36074	Seal, C-6/E4OD/4R100 Rear (2.506"OD) W/Out Boot	1	D5AZ-7052-A
36074B	Seal, C-6/E4OD/4R100 Rear (2.506"OD) W/Boot	1	D5AZ-7052-A
36074C	Seal, C-6 Rear (3.066"OD)(Truck W/Bolt On Yoke) 1968-Up	1	B3TZ-7A011-A
36074E	Seal, 4R100 Rear (3.180"OD)(Super Duty) 1998-Up	1	F81Z-7052-AA

PART #	FRICITION CLUTCH	QTY	REFERENCE #
36100	Friction, E4OD/4R100 Overdrive Clutch .078" (64 Teeth) 1989-Up	2	E9TZ-7B164-A
136100A	Friction, 4R100 Overdrive Clutch (.078")(32 Teeth)(High Energy) 1998-Up	2	
36100EA	Friction, 4R100 Overdrive Clutch .078" (32 Teeth) 1998-Up	2-3	F81P-7B164-AA
36100EAHP	Friction, 4R100 Overdrive Clutch (.078") 32 Teeth (Hi-Performance) 1998-Up	2-3	
36100EB	Friction, 4R100 Overdrive Clutch (.070") 32 Teeth 1998-Up	2-3	
36104E	Friction, E4OD Intermediate Clutch .078" (50 Teeth) (Waffle) 1989-Up	3	E9TZ-7B164-B
36104EA	Friction, E4OD/4R100 Intermediate Clutch (.078") (50 Teeth) (Starburst) 1998-Up	3	F75P-F219-BA

C6 / E4OD / 4R100

RWD 3 & 4 Speed

PART #	FRICITION CLUTCH (Continued)	QTY	REFERENCE #
36104EAS1	Friction, E4OD/4R100 Intermediate Clutch (.078")(50 Teeth)(Starburst)(Stage 1) 1998-Up Retro Fits To 1989	3	
36104EB	Friction, E4OD/4R100 Intermediate Clutch (.078") (50 Teeth) (Hi-Energy) 2001-Up	3	
36104EHP	Friction, E4OD/4R100 Intermediate Clutch .078" (50 Teeth) (Hi-Performance) 1989-Up	3	
36104EPPK	Friction/Steel Kit, E4OD/4R100 Intermediate Clutch (Hi-Performance) Power Pack (Includes: Pressure Plates, 1 Sided Friction, 1 Sided Steels) (Alto)	1	
36104EZPK	Friction/Steel Kit, E4OD/4R100 Intermediate Clutch "Z Pak" 1989-Up	1	
36106	Friction, C-6/E4OD/4R100 Direct Clutch .077" (Waffle)(Grey) 1966-Up	3-4	C8AZ-7B164-H
36106B	Friction, E4OD/4R100 Direct Clutch .077 (Grooved)(Tan) 1996-Up	3-5	
36106CPK	Friction & Steel Kit, C-6/E4OD Direct .063" (Smooth)(Tan)(Power Pack) Includes: 8-36106(.063"); 9-36126(.059"); 1-36146(.120"); & 1-36878D	1	
36106CPPK	Friction & Steel Kit, C-6/E4OD Direct .063" (Red Hi-Performance)(Power Pack) Includes: 8-36106(.063"), 8-36126(.059" Kolene), 1-36126(.090" Kolene), 1-36126(.120") & 1-36878D	1	
36106CS1	Friction, C-6/E4OD/4R100 Direct Clutch (.062")(Stage 1) 1966-Up	AR	
36106E	Friction, E4OD/4R100 Direct Clutch .077" (Smooth) 1989-Up	4	E9TZ-7B164-D
36106HP	Friction, C-6/E4OD Direct Clutch .077" (Hi-Performance) 1966-Up	3-4	
36106HPK	Friction Kit, C-6/E4OD Direct Clutch .077" (Hi-Performance) 5 Per Kit	1	
36108	Friction, C-6 Forward Clutch .060" 1966-E77	4-5	
36108A	Friction, C-6 Forward Clutch .061" (Smooth) 1967-E76	3-5	D2AZ-7B164-A
36108AHP	Friction, C6 Forward Clutch (.061") (Red Eagle High Performance) 1967-E76 (Alto)	3-5	
36108B	Friction, C-6/E4OD Forward Clutch .075" (Smooth) L1976-Up	4	D6AZ-7B164-B
36108BHP	Friction, C-6/E4OD Forward Clutch .075" (Hi-Performance) L1976-Up	4	
36108BHPK	Friction Kit, C-6/E4OD Forward Clutch .075" (Hi-Performance) L1976-Up (4 Per Kit)	1	
36108C	Friction, C-6/E4OD/4R100 Forward Clutch .075" (Hardcore)(Smooth)	4-5	F2TP-7E311-AA
36108DPPK	Friction & Steel Kit, C-6/E4OD Forward Clutch .063" (Red Hi-Performance)(Power Pack) Includes: 6-36108(.063), 6-36126(.059" Kolene), 1-36149, 1-36146(1.22")	1	
36110	Friction, C6-E4OD Reverse Clutch .078" (72 Teeth) 1966-E97	4-6	D6AZ-7B164-A
36110EA	Friction, E4OD/4R100 Reverse Clutch (.078") 24 Teeth 1998-Up	4-6	F7TZ-7B164-AA
36110EAHP	Friction, E4OD/4R100 Reverse Clutch (.078") 24 Teeth (Hi Performance)(Brown) 1998-Up	1	
36110HP	Friction, C-6/E4OD Reverse Clutch .075" (72 Teeth) (Hi-Performance) 1966-E97	4-6	
36110HPK	Friction Kit, C-6/E4OD Reverse Clutch .075" (72 Teeth) (Hi-Performance) 66-E97(5 Per Kit)	1	
36112	Friction, E4OD/4R100 Coast Clutch (.078") 1989-Up	2-3	E9TZ-7B164-C
36112HP	Friction, E4OD/4R100 Coast Clutch (.078") Hi-Performance 1989-Up	2-3	
36119A	Friction Module, C-6 L1967-E76	1	
36119B	Friction Module, C6 L1967-Up	1	
36119BHP	Friction Module, C-6 (Hi-Performance) Indy Reds 1967-Up	1	
36119BS1	Friction Module, C-6 (Stage 1) L1976-Up	1	
36119E	Friction Module, E4OD 1989-E97	1	
36119EB	Friction Module, E4OD (With 72 Teeth Reverse Frictions) 1996-E97	1	
36119ED	Friction Module, E4OD/4R100 (With 24 Teeth Reverse & 64 Teeth Overdrive Frictions) L1997-L98	1	
36119EG	Friction Module, 4R100 (With 24 Teeth Reverse & 32 Teeth Overdrive Frictions) 1998-Up	1	
36119EGHP	Friction Module, 4R100 (With 24 Teeth Reverse & 32 Teeth Overdrive Frictions)(Generation 2) 1998-Up	1	
36119EGS1	Friction Module, 4R100 (With 24 Teeth Reverse & 32 Teeth Overdrive Frictions) (Stage 1) 1998-Up	1	
36119EHP	Friction Module, E4OD (Generation 2) 1989-95	1	
36119ES1	Friction Module, E4OD (Stage 1) 1989-95	1	

PART #	STEEL CLUTCH	QTY	REFERENCE #
36120	Steel, E4OD/4R100 Overdrive Clutch .080" 1989-Up	2-3	EPTZ-7B442-A
36120HP	Steel, E4OD/4R100 Overdrive Clutch (.080")(6 Teeth)(Kolene) 1989-Up	2-3	1
36124	Steel, E4OD/4R100 Intermediate Clutch .080" 1989-Up	2-3	E9TZ-7B442-B
36124A	Steel, 4R100 Intermediate Clutch .125" 1998-Up (Use 36145)	3	
36124HP	Steel, E4OD/4R100 Intermediate Clutch (.080")(Koleen) 1989-Up	3	
36126	Steel, C-6/E4OD/4R100 Forward & Direct Clutch (.078") 1966-Up	8-9	E9TZ-7B442-D
36126A	Steel, C-6/E4OD/4R100 Forward & Direct Clutch (.078") Kolene	8-9	
36126B	Steel, C-6 Forward Clutch .081" (Waved) (26 Teeth) 1967-76	1	
36126X	Steel, C-6/E4OD/4R100 Forward & Direct .095" (Oversized)	AR	
36130	Steel, C-6/E4OD/4R100 Reverse Clutch .068" 1966-Up	4-6	E9TZ-7B442-E
36130A	Steel, C-6/E4OD/4R100 Reverse Clutch .068" (Kolene)	4-6	
36130X	Steel, C-6/E4OD/4R100 Reverse Clutch .081" (Oversized)	AR	
36130XK	Steel Kit, E4OD Reverse & Forward/Direct (Oversize) 1989-Up Contains: 4-36130X, 3-36126X, & 1-36870	1	
36132	Steel, E4OD/4R100 Coast Clutch .080" (60 Teeth) 1989-Up (For Cast Iron Drum)	2	E9TZ-7B442-C
36132E	Steel, 4R100 Coast Clutch .079" (32 Teeth) 1998-Up (For Stamped Steel Drum)	2-3	F81Z-7B442-AA

36139.....	Steel Module, C-6 1966-Up.....	1
36139HP.....	Steel Module, C6 1996-Up (High Performance)	1
36139E.....	Steel Module, E4OD/4R100 (W/Cast Iron Coast Clutch Drum) 1989-98.....	1
36139ED.....	Steel Module, E4OD/4R100 L1997-L98.....	1
36139EG.....	Steel Module, 4R100 (With .125" Thick Intermediate Steels) 1998-Up	1
36139EHP.....	Steel Module, E4OD/4R100 (High Performance)(Kolene)1989-98 (With Cast Iron Coast Clutch Drum)	1

PART #	CLUTCH PRESSURE PLATES	QTY	REFERENCE #
36140.....	Pressure Plate, E4OD Overdrive Clutch .490"	1	E9TZ-7B066-B
36140A.....	Pressure Plate, E4OD/4R100 Overdrive Clutch .320"	1	F3TZ-7B066-A
36140B.....	Pressure Plate, E4OD/4R100 Overdrive Clutch (.203")(6 Teeth).....	1	
36144.....	Pressure Plate, E4OD Intermediate Clutch (Rear) .580"	1	F1TZ-7B066-A
36144A.....	Pressure Plate, E4OD Intermediate Clutch (Rear) .415"	1	E9TZ-7B066-D
36144B.....	Pressure Plate, 4R100 Intermediate Clutch (Rear) .325"	1	
36145.....	Pressure Plate, E4OD/4R100 Intermediate Clutch (.125")(6 1/8"ID)(Front)(Also Fits 4R100 Intermediate Steel).....	1	E9TZ-7B066-C
36146.....	Pressure Plate, C-6/E4OD/4R100 Forward & Direct Clutch (Top) Flat .337".....	1-2	C6AZ-7B066-B
36146HD.....	Pressure Plate, C-6/E4OD Forward & Direct Clutch (Top) Flat .220"	1-2	
36146J.....	Pressure Plate, C-6/E4OD/4R100 Forward Clutch (.250") (Top) Flat (Powerpack) 1989-Up	1	
36149.....	Pressure Plate, C-6/E4OD/4R100 Forward Clutch (Beveled)(Bottom).....	1	C6AZ-7B066-A
36150.....	Pressure Plate, C-6 Reverse Clutch	1	
36150E.....	Pressure Plate, E4OD/4R100 Reverse Clutch .547"	1	E9TZ-7B066-A
36152.....	Pressure Plate, E4OD/4R100 Coast Clutch (60 Teeth) Cast Iron Drum.....	1	E9TZ-7B066-E
36152A.....	Pressure Plate, 4R100 Coast Clutch (32 Teeth) Stamped Steel Drum (1998-Up).....	1	

PART #	MODULATORS	QTY	REFERENCE #
26160.....	Modulator, C-6 White Stripe (Single Line) (Screw-In) 1966-72	1	C4AZ-7A377-B
36160A.....	Modulator, C-6 Blue Stripe (Push-In) 1973-Up	1	
36160B.....	Modulator, C-6 Black Stripe (Single Line) (Push-In) 1973-Up.....	1	D3TZ-7A377-A
36160G.....	Modulator, C-6 Green Stripe (Single Line)(Push-In)1977-Up	1	D7OZ-7A377-A
36160P.....	Modulator, C-6 Purple Stripe (Single Line)(Push-In) 1975-Up	1	D5AZ-7A377-A
44162.....	Hose, C-6 Modulator (Elbow) 1966-Up	1	C1AZ-7B087-E
36163.....	Valve, C-6 Under Modulator Pin.....	1	D5AZ-7D080-A
S36163X.....	Valve, C-6 Oversized Modulator System (Sonnax).....	1	36833-01K
36164K.....	Pin Kit, C-6 Modulator (4 Pieces).....	1	D8AZ-7A380-A

PART #	VALVE BODY KITS	QTY	REFERENCE #
S36165.....	Valve Body Kit, C-6 (Superior)	1	KC6
T36165.....	Shift Kit, C-6 Diesel & Gas 1967-Up (Transgo).....	1	SK6
S36165S.....	Valve Body Kit, C-6 (W/Steel Boost Valve & Sleeve) All Models (Superior).....	1	KC-6-V
A36165E.....	Valve Body Kit, E4OD/4R100 1989-04 (Ratiotek)(Trancel).....	1	
S36165E.....	Valve Body Kit, E4OD/4R100 1989-Up (Superior)	1	KE4OD
T36165E.....	Shift Kit, E4OD/4R100 1989-Up (Transgo)	1	SKE4OD
S36165ES.....	Valve Body Kit, E4OD (W/Steel Boost Valve & Sleeve) 1989-00 (Superior).....	1	KE4OD-V
A36169.....	2 Stage Pack, C-6 1967-Up (Superior)	1	51310-2
T36169.....	Reprogramming Kit, C-6 (Gas Only) 1967-Up Heavy Duty Towing & Competition (Transgo)	1	67-1 & 2
T36169E.....	Reprogramming Kit, E4OD Heavy Duty & Hi-Performance (Gas & Diesel) 1989-Up (Transgo).....	1	E4OD-HD2
T36169EA.....	Reprogramming Kit, E4OD/4R100 Heavy Duty & Hi-Performance (Towing "Tugger", Downhill Hold Back Use, Exhaust Brake, Diesel & Gas Hop Up) The Tugger Kit 1989-2004 (Transgo)	1	4R100-HD2
A36169EPT.....	Valve Body Kit, E4OD/4R100 Powertow 1989-04 (Fairbanks)	1	
A36171.....	Transaction Kit, C-6 1967-Up (Fairbanks).....	1	51312
T36173.....	Reprogramming Kit, C-6 (Gas Only) 1967-Up Full Manual Control, Competition Stick	1	67-3

PART #	OIL SEALING RINGS	QTY	REFERENCE #
36175.....	Ring Kit, C-6 (Metal) 1966-Up.....	1	
36175T.....	Ring Kit, C-6 (Teflon) 1966-Up	1	
36175E.....	Ring Kit, E4OD/4R100 1989-Up	1	
36178AT.....	Ring, E4OD/4R100 L/Up (On Stator, Front) (Teflon).....	1	
36179.....	Ring, C-6/E4OD/4R100 Direct Clutch (Metal).....	2	C6AZ-7D025-A
36179A.....	Ring, E4OD/4R100 Coast Clutch (Metal).....	2	
36181.....	Ring, C-6/E4OD/4R100 Forward Clutch (Metal) 1966-Up	2	C6AZ-7D019-B
26189.....	Ring, C-6 Governor (Metal) 1966-Up	3	C4AZ-7D011-A

PART #	WASHERS & BEARINGS	QTY	REFERENCE #
36200	Washer Kit, C-6 W/Out Selective 8 Metal 1969-Up	1	
36200A	Washer Kit, C-6 W/Out Selective 10 Metal 1966-Up	1	
36200AA	Washer Kit, C-6 W/Plastic Selectives	1	
36200E	Washer Kit, E4OD/4R100 (W/3 Pinion Planets)(13 Pieces) 1989-Up	1	
36200EA	Washer Kit, E4OD (W/4 Pinion Planets) (12 Pieces) 1989-Up	1	
36200EB	Washer Kit, 4R100 (10 Pieces) 1998-Up	1	
36201A	Bearing Kit, C-6 (3 Bearings) Torrington	1	
36201E	Bearing Kit, E4OD Torrington	1	
36210A	Washer, C-6 Stator Support .057" (Metal)	1	C6AZ-7D014-A
36210AA	Washer, C-6 Stator Support .057" (Plastic)	1	C6AZ-7D014-AP
36210B	Washer, C-6 Stator, Support .074" (Metal)	1	C6AZ-7D014-B
36210BA	Washer, C-6 Stator Support .074" (Plastic)	1	C6AZ-7D014-BP
36210C	Washer, C-6 Stator Support .089" (Metal)	1	C6AZ-7D014-C
36210CA	Washer, C-6 Stator Support .089" (Plastic)	1	C6AZ-7D014-CP
36210D	Washer, C-6 Stator Support .104" (Metal)	1	C6AZ-7D014-D
36210DA	Washer, C-6 Stator Support .104" (Plastic)	1	C6AZ-7D014-DP
36210E	Washer, C-6 Stator Support .119" (Metal)	1	C6AZ-7D014-E
36210EA	Washer, C-6 Stator Support .119" (Plastic)	1	C6AZ-7D014-EP
36210G	Washer, E4OD/4R100 Stator Support (Metal)	1	
36210GA	Washer, E4OD/4R100 Stator (.055" Thick) (Plastic)	1	F1TZ-7D014-A
36211	Bearing, E4OD/4R100 Stator To Overdrive Sun Gear	1	F6TZ-7E486-AA
36213E	Ball Bearing, E4OD/4R100 Coast Clutch Drum To Stator (PTO Type Only) (Used In Place Of Bushing # 038)(.510"OD)(3.346"OD)(2.361"ID)	1	
36214	Washer, E4OD Overdrive Planet To Overdrive Sprag (W/2 Inner Tabs) (Metal) 1989-97	1	
36214A	Washer, E4OD Overdrive Planet To Overdrive Sprag (W/2 Inner Tabs) (Plastic) 1997-98	1	F1TZ-7L339-A
36214B	Washer, 4R100 Overdrive Planet To Overdrive Sprag 1999-Up (Plastic) This Washer Has a V Notch	1	F81Z-7L339-AA
36217	Bearing W/Races, E4OD/4R100 Overdrive Planet To Hub	1	F4TZ-7F240-A
36223	Use 36254C	1	
36224	Ball Bearing, E4OD/4R100 (Presses In Center Support) Aftermarket Type (1.000"ID, 2.000"OD)	1	R-16
36224A	Ball Bearing, E4OD/4R100 (Presses In Center Support) OE Type (1.180"ID, 1.850"OD)	1	E6DZ-76178-A
36225	Washer, E4OD/4R100 Center Support To Direct Drum (Plastic)	1	E9TZ-7C326-A
36225B	Washer, E4OD/4R100 Center Support To Direct Drum (Metal)	1	F1TZ-7L326-A
36226	Use 66211	1	
66211	Bearing W/Races, E4OD/4R100 Center Support To Forward Drum (.140" Thick, 2.600"OD, 1.930"ID)	1	E1FZ-7F374-A
36227	Washer, E4OD/4R100 Intermediate Drum To Sprag (Metal)	1	
36227A	Washer, E4OD/4R100 Intermediate Drum To Sprag (Plastic)	1	F3TZ-7G401-A
36229	Washer, C-6 Direct Drum To Forward Drum	1	C6AZ-7C096-A
36229A	Washer, E4OD Direct Drum To Forward Drum 1989-97 (1998-Up Does Not Use Washer Here)	1	E9TZ-7C096-A
36231	Washer, C-6/E4OD/4R100 Forward Drum To Hub (Plastic)	1	C9AZ-7D090-A
36231A	Washer, C-6/E4OD/4R100 Forward Drum To Hub (Metal)	1	
36232	Bearing W/Out Races, C-6 Forward Drum To Forward Planet (3 Piece Type) Also Fits C-6 Forward Planet To Sun Gear	1	C6AZ-7D234-B
36232A	Bearing W/Races, C-6/E4OD/4R100 Forward Drum To Forward Planet (1 Piece Type) (Also Fits 4R100 Forward Planet To Sun Gear)	1	E0AZ-7F231-A
36235	Washer, E4OD Forward Hub To Forward Planet (4 Tab) For 4 Gear Planet	3	E9TZ-7A166-A
36235A	Washer, E4OD Forward Hub To Forward Planet (3 Narrow Tabs) For 3 Gear Forward Planet	3	F0TZ-7A166-C
36235AA	Washer, E4OD/4R100 Rear Planet (3 Wide Tabs) For 3 or 6 Gear Rear Planet	2	F0TZ-7A166-D
36235B	Washer, C-6 Front & Rear Planet (6 Tab) For 3 Gear Planet	2	C6AZ-7A166-A
36235C	Washer, C-6 Rear Planet (4 Tab) For 4 Gear Planet	2	C6SZ-7A166-A
36235CA	Bearing W/Races, E4OD/4R100 Forward Hub To Forward Planet 1997-Up	1	F81Z-7A166-AA
S36236AK	Shim Kit, C-6 (Goes Under #235)(.010")(10 Per Kit) Sonnax (6 Slots)	1	36428-Z
S36236BK	Shim Kit, C-6 (Goes Under #235)(.010")(10 Per Kit) Sonnax (4 Slots)	1	36428A-Z
S36236EK	Shim Kit, E4OD/4R100 (Goes Under #235)(.010") Sonnax (10 Per Kit)	1	36420-Z
36237	Race, C-6 Sun Gear (Front) 1966-77	1	C6AZ-7D236-A
36238	Bearing W/Out Races, C-6 Forward Planet To Sun Gear (3 Piece Type) Stays In Planet (Use 36232)	1	C6AZ-7D234-B
36238A	Bearing W/Races, C-6/E4OD Forward Planet To Sun Gear (1 Piece Type) Stays In Planet	1	E9TZ-7D234-A
36239	Race, C-6 Sun Gear (Rear) 1966-77	1	C6ZA-7D235-A
36243	Race, C-6/E4OD/4R100 Input Shell	1	C6AZ-7D066-B
S36243S	Shim, C-6 Sun Shell Saver (Fits Between Shell & Snap Ring) Sonnax	1	
26251	Washer, C-6 Output Hub To Sprag Race (3 Tang) 1970-76	1	
36254	Washer, C-6 Output Hub To Sprag Race (2 Tang) 1966-69	1	C6AZ-7D422-B
36254A	Washer, C-6 Output Hub To Sprag Race (3 Tang) 1970-76 (Use 26251)	1	
36254B	Bearing W/Race, C-6 Output Hub To Sprag Race	1	E7TZ-7D422-A

36254C	Bearing W/Races, C-6/E4OD/4R100 Output Hub To Sprag Race (Also Fits E4OD/4R100 Overdrive Hub To Center Support # 36223)	1-2	E6DZ-7G178-A
36263	Washer, C-6/E4OD Parking Gear To Case	1	D3TZ-7B368-A
36263A	Bearing W/Races, 4R100 Parking Gear To Case 1998-Up	1	
56268	Bearing, E4OD Output Shaft Pilot	1	
36286	Washer, C-6/E4OD Sprag To Snap Ring	1	3717682

PART #	GASKETS & RUBBER COMPONENTS	QTY	REFERENCE #
36300	Gasket, C-6 Bottom Pan	1	C6AZ-7A191-B
36300E	Gasket, E4OD/4R100 Bottom Pan (Cork) 1989-Up	1	E9TZ-7A191-A
36300EW	Gasket, E4OD/4R100 Bottom Pan (Bonded Rubber) 1996-Up	1	F6TZ-7A191-A
36305	Gasket, C-6 Extension Housing	1	C6AZ-7086-A
36305E	Gasket, E4OD/4R100 Extension Housing	1	E9TZ-7086-B
M301317B	Gasket, C-6 Adapter To Transfer Case (203 Transfer Case)	1	
M302317A	Gasket, C-6 Adapter To Transfer Case (205 Transfer Case)	1	
M304317A	Gasket, C-6/E4OD Adapter To transfer Case (208 Transfer Case)	1	
36307A	Gasket, C-6 Intermediate Servo Cover	1	D4AZ-7D026-A
S36307AK	Seal Kit, C-6 (R-Code Servo Cover)(Gasket & 5 O-Rings) For S36907DK (Sonnax)	1	
36309E	Gasket, E4OD/4R100 Pump Bolt Washer	9	E9TZ-7G379-A
36310	Gasket, C-6 Pump	1	E0AZ-7A136-B
36310E	Gasket, E4OD/4R100 Pump	1	E9TZ-7A136-A
36311	O-Ring, C-6 Pump	1	C6AZ-7A248-B
36311E	O-Ring, E4OD/4R100 Pump	1	E9TZ-7A248-A
36316E	Gasket Kit, E4OD Center Support Plate (5 Per Kit) (Sonnax)	1	36742G
36319E	Gasket, 4R100 PTO Cover 1998-Up	1	
36320E	Gasket, E4OD Spacer Plate To Case (Upper) 1989 Only	1	E9TZ-7C155-B
36320EA	Gasket, E4OD Spacer Plate To Case (Upper) 1990-95	1	F1TZ-7C155-A
36320EB	Gasket, E4OD Spacer Plate To Case (Upper) 1996-97	1	F6TZ-7C155-A
36320EC	Gasket, E4OD/4R100 Spacer Plate To Case (Upper) 1998-05 (This Is Not For PTO Models) (Light Blue Stripe)	1	
36320ED	Gasket, E4OD/4R100 Spacer Plate To Case (Upper) 1998-05 (For PTO Models)	1	
36321	Gasket, C-6 Valve Body (Lower) 1967-Up	1	D6AZ-7D100-A
36321A	Gasket, C-6 Valve Body (Lower) 1966	1	
36321E	Gasket, E4OD Valve Body To Spacer Plate (Lower) 1989	1	E9TZ-7D100-B
36321EA	Gasket, E4OD Valve Body To Spacer Plate (Lower) 1990-95 (.008" Thick)(Yellow Stripe)	1	F0TZ-7D100-A
36321EAA	Gasket, E4OD Valve Body To Spacer Plate (Lower) 1996-97 (.008" Thick)(Green Stripe)	1	
36321EB	Gasket, E4OD/4R100 Valve Body To Spacer Plate (Lower) 1998-04 (.008" Thick)(Blue Stripe)	1	F6TZ-7D100-Z
36326	Gasket, C-6 Oil Filter	1	C6AZ-7E062-A
36330	Lip Seal, E4OD/4R100 Intermediate & Overdrive Clutch (Inner) (Also Filts E4OD Overdrive Clutch (Inner) W/Aluminum Piston 1989-94)	2	E9TZ-7F252-A
36331	Lip Seal, E4OD Overdrive Clutch (Outer) W/Aluminum Piston 1989-95	1	E9TZ-7A548-A
36332	Lip Seal, E4OD/4R100 Intermediate Clutch (Outer) 1989-Up	1	E9TZ-7F224-A
36334	Lip Seal, C-6/E4OD/4R100 Forward Clutch (Inner)	1	E9TZ-7A548-F
36335A	Lip Seal, C-6/E4OD/4R100 Forward Clutch (Outer)	1	D6AZ-7A548-A
36336	Lathe Cut Seal, C-6 Direct Clutch (Inner) L1976-Up	1	C8AZ-7C099-A
36336E	Lip Seal, E4OD/4R100 Direct Clutch (Inner) 1989-04	1	
36337	Lathe Cut Seal, C-6 Direct Clutch (Outer)	1	C8AZ-7A548-C
36337E	Lip Seal, E4OD/4R100 Direct Clutch (Outer) 1989-04	1	
36337V	Lip Seal, C6 Direct Clutch (Outer)(Viton) 1989-Up	1	
36338	Lathe Cut Seal, C-6/E4OD Reverse Clutch (Inner) 1968-95	1	C7AZ-7D404-A
36338B	Lip Seal, E4OD/4R100 Reverse Clutch (Inner) 1996-Up	1	F6TZ-7D404-A
36339	Lathe Cut Seal, C-6/E4OD Reverse Clutch (Outer) 1966-95	1	C8AZ-7D403-A
36339B	Lip Seal, E4OD/4R100 Reverse Clutch (Outer) 1996-Up	1	F6TZ-7F403-A
36340	Lip Seal, E4OD/4R100 Coast Clutch (Inner) Cast Iron Drum	1	E9TZ-7A548-C
36341	Lip Seal, E4OD/4R100 Coast Clutch (Outer) Cast Iron Drum	1	E9TZ-7A548-B
36347	O-Ring, E4OD/4R100 Solenoid Pack Connector 1989-Up	1	87034-S94
36349	O-Ring, C-6 Throttle Shaft & Modulator	1	386078-S
36349A	Seal, C-6 Throttle Shaft (W/4 Lobes) Replaces 36349	1	
36361A	O-Ring, C-6 Intermediate Servo Piston (Small) 1.700"OD	1	
36361AA	O-Ring, C-6 Intermediate Servo Piston (Small) 1.750"OD	1	
36361AB	O-Ring, C-6 Intermediate Servo Piston (Small) 1.760"OD	1	
36361AC	O-Ring, C-6 Intermediate Servo Piston (Small) 1.785"OD	1	
36361AD	O-Ring, C-6 Intermediate Servo Piston (Small) 2.030"OD	1	
36361AE	O-Ring, C-6 Intermediate Servo Piston (Small) 2.060"OD	1	
36361AG	O-Ring, C-6 Intermediate Servo Piston (Small) 2.180"OD	1	
36361B	O-Ring, C-6 Intermediate Servo Piston (Large) 2.344"OD	1	
36361BA	O-Ring, C-6 Intermediate Servo Piston (Large) 2.391"OD	1	
36361BB	O-Ring, C-6 Intermediate Servo Piston (Large) 2.690"OD	1	
36361BC	O-Ring, C-6 Intermediate Servo Piston (Large) 2.725"OD	1	
36361BD	O-Ring, C-6 Intermediate Servo Piston (Large) 2.735"OD	1	

C6 / E4OD / 4R100

RWD 3 & 4 Speed

FORD

PART #	GASKETS & RUBBER COMPONENTS (Continued)	QTY	REFERENCE #
36361BE	O-Ring, C-6 Intermediate Servo Piston (Large) 2.782"OD	1	
36361BG	O-Ring, C-6 Intermediate Servo Piston (Large) 3.151"OD	1	
36362	O-Ring, C-6 Intermediate Servo Cover	1	
36364T	O-Ring, C-6 Cooler Line	1	380892-S94
36390	External Seal Kit, C-6 (W/Pan Gasket) 1966-Up	1	
36390E	External Seal Kit, E4OD/4R100 (W/Pan Gasket) 1989-Up	1	
PART #	TECHNICAL MANUALS	QTY	REFERENCE #
36400	Tech Manual, C-6	1	83-C6TM
36400E	Tech Manual, E4OD	1	83-E4ODTM
36400EA	Tech Manual, 4R100 Ford Trucks 1999-Up	1	4R100
36400EB	Tech Manual, 4R100 (Update Hand Book) (ATSG)	1	
A36400ED-1	Diagnostic Manual, E4OD ("Are They Really That Tough") Book One (ATRA)	1	
A36400ED-2	Diagnostic Manual, E4OD ("Are They Really That Tough") Book Two (ATRA)	1	
36400EH	Handbook, E4OD 1989-96 Update	1	83-E4ODTM-U1
36407E	Video, E4OD Technical Video (ATSG)	1	83-SGVT025
M402-8	ATSM-8 Trouble Shooting: Common Complaints/Fixes For E4OD	1	TISM-8
PART #	ELECTRICAL COMPONENTS	QTY	REFERENCE #
26410	Switch, C-6 Neutral Safety (With 1 Round 4 Blade Connector)	1	E2DZ-7A242-A
36410A	Switch, E4OD Manual Lever Position Switch 1990-96 Cast # F0	1	F5TZ-7A247-A
36410B	Switch, E4OD Manual Lever Position Switch 1995-96 (Use 36410A)	1	F5TZ-7A247-B
36410C	Switch, E4OD/4R100 Manual Lever Position Switch (Cast # F7) 1997-04 (12 Pin Digital)(Ford Has Changed To An 11 Pin Switch But Still Fits 12 Pin)	1	F7TZ-7F239-AA
26414	Switch, C-6 Spark Control	1	D2AZ-7E440-A
36420	Solenoid Pack, E4OD 1989-94 (9 Pin) .100" Thick Plastic Connector	1	E9TZ-7G391-A
36420AA	Solenoid Pack, E4OD/4R100 1995-97 (Diesel) Non-PWM Units (Also Fits 95-98 (Gas)	1	F81Z-7G391-BA
R36420AB	Rebuilt Solenoid Pack, E4OD/4R100 1995-98 (Gas)(ATG) Non-PWM Units Second Delay (Will Not Work On A 4R100 Diesel Application)	1	
36420AC	Solenoid Pack, 4R100 1998-Up (Diesel) PWM Units (Also Fits 1999-Up (Gas) PWM Units	1	F81Z-7G391-CB
36438	Sensor, 4R100 Turbine Shaft Speed (Non-PTO) 1998-04 (Also Fits 4R100 Output Shaft Speed Sensor, All Models)	1	F817-7M101-AA
36438A	Sensor, 4R100 Turbine Shaft Speed (PTO Models) 1998-Up	1	
36445EK	Repair Harness End, E4OD Plugs 1989-94	1	
36445EAK	Repair Harness End, E4OD Plugs 1995-Up	1	
86445ECK	Repair Kit, AXOD/AXODE/AX4N Speed Sensor Wire Harness Connector (Fits 36438, 36774D, 86774B, 86774C, 86774H, F85Z-2L373AB)	1	
F85Z-2L373AB	Speed Sensor, Rear Axle Housing (Output Speed) 1990-97 Aerostar, 1990 Bronco II, 1990-06 E-150/250/350, 1990-03 F-150, 1991-01 Expedition/Mountaineer, 1990-99 F250, 1999-04 SD F250-F450, 2000-06 Excursion, 1990-03 Ranger, 2000-01 Sporttrac, 1997-02 Expedition	1	
36447C	Controller, E4OD Coast Clutch 1989-94	1	
36447CA	Controller, E4OD Coast Clutch 1995-98	1	
36447E	Interceptor, E4OD Adjustable Electron Modulator 1989-94 (Allows TCC & Line Pressure To Be Fine Tuned)	1	INT36A
36447EA	Interceptor, E4OD Adjustable Electron Modulator 1995-Up	1	INT36B
36447L	Adaptor, E4OD 1988-92 (For The Rostra LU1)	1	
LU1	Lockup Delay Module For Vehicle W/Speed Sensor	1	
PART #	MISC. COMPONENTS	QTY	REFERENCE #
M462F	Union, 5/16"	1	
36484E	Orifice Cup Plug, E4OD/4R100 Output Shaft (Front) Replaces Bushing	1	39150-S
26487	Grommet, C-6 Linkage (5/8"ID)	1	D4AZ-7341-A
26487A	Grommet, C-6 Linkage (5/16"ID)	1	
26487B	Grommet, C-6 Passing Gear (Narrow Groove)	1	E0AZ-7F330-A
26487BA	Grommet, C-6 Passing Gear (Wide Groove)	1	
26487C	E-Clip, C-6 Linkage	1	
36495	Pick Up Tube, C-6 4x4 Filter	1	D3TZ-7A102-C
T76496C	Retaining Clip, C-6 Cooler Line (Push-In) Teckpak	1	
PART #	HARD PARTS	QTY	REFERENCE #
36500	Pump, C-6 1966-E67	1	
36500A	Pump, C-6 (Gas) 1967-Up (W/Drain Back Valve)	1	C8AZ-7A103-B
36500B	Pump, C-6 (Gas & Diesel) 1983-Up (W/Out Drain Back Valve)	1	
36500C	Pump, E4OD (Cast # RFE9 or RFF1) 11 Bolt (Less Valves) 1989-94	1	F5TZ-7A103-A

36500CA.....	Pump, E4OD (Cast # RFF5) 11 Bolt (Less Valves) 1995-98 (9 Teeth Inner Gear)Retro Fits To 1989	1	F81Z-7A103-BA
36500D.....	Pump, E4OD/4R100 (Cast # RF-F8) 12 Bolt (Less Valves) 1998-Up (Uses A Cast Iron Coast Clutch Drum)	1	
36500DA.....	Pump, 4R100 (Cast # RFF8) 12 Bolt (Less Valves) 1998-Up (Uses A Stamped Steel Coast Clutch Drum) Non-PWM	1	XC3Z-7A103-EA
36500DB.....	Pump, 4R100 (Cast # RFF8) 12 Bolt (Less Valves) 1998-Up (Uses A Stamped Steel Coast Clutch Drum) PWM Type.....	1	F81Z-7A103-CA

PART #	PUMP COMPONENTS	QTY	REFERENCE #
36507-3K.....	Shudder Spring Kit, E4OD (In Plug).....	1	SGSF-E4OD
36507A.....	Poppet Valve, C-6 Drain Back (Valve Only-No Orifice Plug) This is the Valve Only—Does Not Include Cup Plug	1	
36507AK.....	Poppet Valve Set, C-6 Drain Back (In Stator) (Valves & Orifice Plugs) (5 Per Pack).....	1	
36507CCK.....	Valve Assembly, E4OD TCC Control (Valve, Spring, Plug, Clip)1989-97(.430"OD Valve) Fits 11 Bolt Stator	1	
36507CDK.....	Valve Assembly, 4R100 TCC Control (Valve, Spring, Plug, Clip) (Diesel) 1998-Up (.600"OD On Valve End Next To Spring).....	1	
S36507CEK.....	Valve Assembly, 4R100 TCC Control Boost Valve & Sleeve (Sonnax) For PWM Units Only	1	
36507CGK.....	Valve Assembly, E4OD/4R100 TCC Control (Valve, Spring, Plug, Clip) (Gas) 1998-Up (.530"OD Valve).....	1	
36507CK.....	Valve Assembly, E4OD/4R100 TCC Lock-Up Kit On-Off (Transgo) (Valve, Spring, Bushing) Converts Long Soft Pulse Lock-Up To A Short Crisp On/Off Lock-up) Use with T36165E	1	
36507E-1A.....	Drain Back Valve, E4OD/4R100 W/Spring (In Stator).....	1	E9TZ-7H132-B
36507EK.....	Pump Kit, E4OD (Code 62 Fix) (Bushings, Drain Back Valve & Plugs).....	1	
S36507G-1.....	Valve, E4OD Line To Lube Pressure Regulator (W/Check Valve) Sonnax	1	
S36507PAK.....	Valve Assembly, E4OD/4R100 Pressure Regulator Boost (Sonnax) Factory Style No O-Rings (W/Valve & Sleeve).....	1	
36507PK.....	Valve Assembly, E4OD/4R100 Pressure Regulator Boost (Valve & Sleeve) Steel (Superior).....	1	E9TZ-7D003-AA
36507PPK.....	Valve Assembly, E4OD/4R100 Pressure Regulator 1989-Up (Valve, 2 Springs, Spring Retainer, Boost Valve & Sleeve, Clip).....	1	

PART #	HARD PARTS (Continued)	QTY	REFERENCE #
36510.....	Pump Body, C-6 1966-Up	1	
36510C.....	Pump Body, E4OD (Cast # RFE9) 11 Bolt 1989-94 (3.950"OD Outer Gear, 10 Teeth Inner Gear) Can Use 36510CA	1	
36510CA.....	Pump Body, E4OD (Cast # RFF5) 11 Bolt 1995-98 (4.083"OD Outer Gear, 9 Teeth Inner Gear) ..	1	
36510D.....	Pump Body, E4OD/4R100 (Cast # RF-F8)(12 Bolt) 1998-Up	1	
36520.....	Stator, C-6 1966-E67	1	
36520A.....	Stator, C-6 (Gas) L1967-Up (W/Drain Back Valve) Can Use 36520B.....	1	
36520B.....	Stator, C-6 (Gas & Diesel) 1983-Up (No Drain Back Valve).....	1	
36520C.....	Stator, E4OD (Less Valves) (Cast # RFEP or RFF1) 1989-94	1	
36520CA.....	Stator, E4OD (Less Valves) (Cast # RFF5) Bushing Type 1995-97	1	
36520D.....	Stator, E4OD/4R100 (Cast # RF-F8)(12 Bolts To Body) 1998-Up (Less Valves) (Uses A Cast Iron Coast Clutch Drum	1	
36520DA.....	Stator, 4R100 (Non PWM) (Gas & Diesel)(12 Bolt) 1998-Up (Uses Stamped Steel Coast Clutch Drum) (Less Valves).....	1	C6AP-7C010-B
36520DB.....	Stator, 4R100 (PWM) (Gas & Diesel)(12 Bolt) 1998-Up (Uses Stamped Steel Coast Clutch Drum) (Less Valves).....	1	
36530.....	Pump Gears, C-6	1	
36530X.....	Pump Gears, C-6 (Oversized).....	1	
36530A.....	Pump Gears, E4OD (10 Teeth Inner Gear)(3.950"OD Outer Gear) 1989-94.....	1	
36530B.....	Pump Gears, E4OD/4R100 (9 Teeth Inner Gear)(4.083"OD Outer Gear) 1995-Up	1	
36530BX.....	Pump Gears, E4OD/4R100 (9 Teeth Inner Gear) (Oversize) 1995-Up	1	
36545.....	Cylinder, E4OD Intermediate/Overdrive Clutch (For Aluminum Pistons) 1989-95.....	1	
36545A.....	Cylinder, E4OD/4R100 Intermediate/Overdrive Clutch(Uses Bonded Overdrive Piston) 96-Up.....	1	F6TZ-7G384-AA
36554.....	Drum, C-6 Forward Clutch (31 Splines, 4 Clutch) 1966-E71	1	E9TZ-7A548-C
36554A.....	Drum, C-6 Forward Clutch (31 Splines, 5 Clutch) 1966-E71	1	
36554B.....	Drum, C-6 Forward Clutch (31 Splines, 3 Clutch) 1966-E71	1	
36554C.....	Drum, C-6 Forward Clutch (30 Splines, 5 Clutch) 1971-E76	1	
36554D.....	Drum, C-6 Forward Clutch (30 Splines, 4 Clutch) L1976-Up	1	
36554E.....	Drum, C-6 Forward Clutch (30 Splines, 4 Clutch) L1971-Up	1	
36554EA.....	Drum, C-6 Forward Clutch (30 Splines, 3 Clutch) 1971-E76	1	
36554G.....	Drum, C-6 Forward Clutch (30 Splines, 5 Clutch) L1976-Up	1	
36554H.....	Drum, E4OD/4R100 Forward Clutch (4 Clutch) 1989-Up (Spline Length Is The Full Length of The Drum Bore).....	1	
36554HA.....	Drum, E4OD/4R100 Forward Clutch (4 Clutch) 1998-Up (Spline Length Is Only 1/2 The Length Of The Drum Bore) (Retro Fits To 1989).....	1	F81Z-7A360-AA
36554J.....	Drum, E4OD/4R100 Forward Clutch (3 Clutch) 1989-Up	1	

PART #	HARD PARTS (Continued)	QTY	REFERENCE #
36555	Drum, C-6 Direct Clutch (4 Clutch) 1966-Up.....	1	
36555A	Drum, C-6 Direct Clutch (3 Clutch) 1966-Up.....	1	
36555AC	Drum, C-6 Direct Clutch (5 Clutch) 1966-Up (This is a 3 Clutch With a New Snap Ring Groove Cut For 5 Clutch).....	1	
36555B	Drum, E4OD Direct Clutch (3 Clutch) W/Out Sprag (W/2 Feed Holes) 1989-94.....	1	E9TZ-7D044-A
36555BA	Drum, E4OD Direct Clutch (3 Clutch) W/Out Sprag (W/1 Feed Hole) 1995-97 (Uses A Washer # 229).....	1	
36555BB	Drum, E4OD/4R100 Direct Clutch (3 Clutch) W/Out Sprag (W/1 Feed Hole)1998-Up (No Longer Uses A Washer # 229).....	1	
36555C	Drum, E4OD/4R100 Direct Clutch (4 Clutch) W/Out Sprag (W/2 Feed Holes) 1989-94.....	1	
36555CK	Drum Kit, 4R100 Direct Clutch (4 Clutch) W/36965E & 229 Washer (Use This Kit To Replace Diode Type Drum) If Customer Does Not Have A Kit W/50 Teeth Intermediate Frictions, Sell 3-36104EA Frictions.....	1	
36555CA	Drum, E4OD Direct Clutch (4 Clutch) W/Out Sprag (W/1 Feed Hole) 1995-97 (Uses A Washer # 229).....	1	
36555CB	Drum, E4OD/4R100 Direct Clutch (4 Clutch) W/Out Sprag (W/1 Feed Hole) 1998-Up (No Longer Uses A Washer # 229).....	1	
36555CBK	Drum Kit, 4R100 Direct With Sprag (4 Clutch) With 1 Feed Hole 1998-Up (Can Use This Kit To Replace Diode Type Drum) Does NOT Use #229 (If Customer Does Not Kit With 50 Teeth Intermediate Frictions, Sell Three 36104EA Frictions).....	1	
36555D	Drum, E4OD/4R100 Direct Clutch (5 Clutch) W/Out Sprag (W/2 Feed Holes) 1989-94.....	1	
36555DK	Drum Kit, 4R100 Direct Clutch (5 Clutch) W/36965E & 229 Washer (Use This Kit To Replace Diode Type Drum) If Customer Does Not Have A Kit W/50 Teeth Intermediate Frictions, Sell 3-36104EA Frictions.....	1	
36555DA	Drum, E4OD Direct Clutch (5 Clutch) W/Out Sprag (W/1 Feed Hole) 1995-97 (Uses A Washer # 229).....	1	
36555DB	Drum, E4OD/4R100 Direct Clutch (5 Clutch) W/Out Sprag (W/1 Feed Hole) 1998-Up (No Longer Uses A Washer # 229).....	1	
36555DBK	Drum Kit, 4R100 Direct With Sprag (5 Clutch) With 1 Feed Hole 1998-Up (Can Use This Kit To Replace Diode Type Drum) Does Not Use #229 (If Customer Does Not Have A Kit With 50 Teeth Intermediate Frictions, Sell Three 36104EA Frictions).....	1	
36555E	Drum, 4R100 Direct Clutch (4 Clutch) W/Out Diode 2000-01 (Has 16 Lugs For Mechanical Diode) Can Use 36555CK.....	1	
36555F	Drum, 4R100 Direct Clutch (5 Clutch) W/Out Diode 2000-01 (Has 16 Lugs For Mechanical Diode) Can Use 36555DK.....	1	
36559	Drum, E4OD Coast Clutch (W/Out Electronic Pick-Up) Cast Iron (W/Groove For Inner Lip Seal).....	1	E9TZ-7A548-E
36559A	Drum, E4OD Coast Clutch (W/Out Electronic Pick-Up) Cast Iron (No Inner Lip Seal Groove) Uses Bonded Piston.....	1	
36559B	Drum, E4OD/4R100 Coast Clutch (W/Electronic Pick-Up) Cast Iron.....	1	
36559D	Drum, 4R100 Coast Clutch W/Sun Gear (Stamped Steel) W/Out PTO.....	1	1C3Z-7G387-AA
36559E	Drum, 4R100 Coast Clutch (With Sun Gear)(2 Clutch)(Stamped Steel) With PTO.....	1	
36559EA	Drum, 4R100 Coast Clutch (With Sun Gear)(3 Clutch)(Stamped Steel) With PTO.....	1	
36560	Piston Kit, E4OD Overdrive Clutch (Aluminum Piston).....	1	
36560A	Piston Kit, E4OD/4R100 Overdrive Clutch (Bonded Piston).....	1	
36562	Piston Kit, E4OD/4R100 Intermediate Clutch (Aluminum Piston).....	1	
36564	Piston Kit, C-6 Forward Clutch 1966-76.....	1	
36564A	Piston Kit, C-6/E4OD/4R100 Forward Clutch L1976-Up.....	1	
36565	Piston Kit, E4OD/4R100 Direct Clutch (Cast # E9TP-7A262-CA) (Used With Washer Type Direct Drum) 1989-98.....	1	
36565A	Piston Kit, C-6 Direct Clutch.....	1	
36565B	Piston Kit, E4OD/4R100 Direct Clutch (CAst # YC3P-7A262-AA) (Used With Bearing Type Direct Drum) 1998-Up.....	1	
36566	Piston Kit, C-6 Reverse Clutch 1966-E76.....	1	
36566A	Piston Kit, C-6 Reverse Clutch L1976-E86.....	1	
36566AA	Piston Kit, C-6 Reverse Clutch L1986-Up (3.187"ID/4.925"OD Spring Retainer).....	1	
36566B	Piston Kit, C-6 Reverse Clutch L1986-Up (3.00"ID / 4.925"OD Spring Retainer).....	1	
36566BA	Piston Kit, E4OD Reverse Clutch 1989-Up (3.187"ID / 4.925"OD Spring Retainer).....	1	
36566C	Piston Kit, E4OD Reverse Clutch 1989-Up (3.00"ID / 4.925"OD Spring Retainer).....	1	
36566CA	Piston Kit, 4R100 Reverse Clutch 1998-Up (3.00"ID / 5.190"OD Spring Retainer).....	1	
36569	Piston Kit, E4OD/4R100 Coast Clutch (For Cast Iron Drum) 1989-98.....	1	
36569A	Piston Kit, 4R100 Coast Clutch (For Stamped Steel Drum) 1998-Up.....	1	
36576	Clutch Hub, C-6/E4OD Reverse Clutch (W/12 Lugs For Planet) 1966-92 (Has Snap Ring Groove For The Sprag).....	1	F3TZ-7D067-A
36576A	Clutch Hub, C-6/E4OD Reverse Clutch (W/12 Lugs For Planet) 1993-97 (No Snap Ring Groove For The Sprag)(Sprag Has Plastic Housing).....	1	F3TZ-7B067-A
36576C	Clutch Hub, E4OD/4R100 Reverse Clutch (W/24 Lugs For Planet) 1998-Up.....	1	F7TZ-7B067-A

36580A	Planet, E4OD Overdrive (3 Gear) Aluminum (1 7/8" Long Hub) 1989-93	1	
36580AA	Planet, E4OD Overdrive (3 Gear) Aluminum (1 7/16" Long Hub) 1994-98	1	
36580AB	Planet, E4OD/4R100 Overdrive (3 Gear) Steel (1 7/16" Long Hub) 1999-Up	1	F5TZ-7B446-CA
36580B	Planet, E4OD Overdrive (4 Gear) Aluminum (1 7/8" Long Hub) 1994-98	1	F2TZ-7B446-A
36580BA	Planet, E4OD Overdrive (4 Gear) Aluminum (1 7/8" Long Hub) 1989-93	1	
36580BB	Planet, E4OD Overdrive (4 Gear) Steel (1 7/16" Long Hub) 1994-98	1	
	(Uses Washer # 214 With Inner Tabs)(Metal & Plastic)	1	F5TZ-7B446-A
36580BBK	Planet Kit, E4OD Overdrive (4 Gear) Steel (W/Input Shaft) 1994-98	1	F4TZ-7B446-B
36580BC	Planet, E4OD Overdrive (4 Gear) Steel (1 7/8" Long Hub) 1989-93	1	
36580BD	Planet, 4R100 Overdrive (4 Gear) Steel (1 7/16" Long Hub) 1999-Up	1	
	(Uses Washer # 214 With 1 Outer Tab)(Plastic) When Used W/36214B This Will Retro-Fit	1	
	36580BB	1	1C3Z-7B446-BA
36582	Planet, C-6 Forward (3 Gear) Aluminum 1966-E76 (Can Use 36582A)	1	
36582-2	Sleeve, C-6/E4OD/4R100 Forward Planet Repair	1	36440-01
36582A	Planet, C-6 Forward (3 Gear) Aluminum L1976-Up	1	
36582B	Planet, E4OD Forward (4 Gear) Aluminum (Washer Type) 1989-96	1	
	Can Use 36582BA With 36602BA	1	E9TZ-7A398-A
36582BA	Planet, E4OD/4R100 Forward (4 Gear) Aluminum (Bearing Type) 1997-Up	1	F7TZ-7A398-BA
36582C	Planet, E4OD Forward (3 Gear) Aluminum (Washer Type) 1989-96	1	
36582CA	Planet, E4OD/4R100 Forward (3 Gear) Aluminum (Bearing Type) 1997-Up	1	
36582D	Planet, E4OD/4R100 Forward (6 Gear) Steel (Bearing Type) 1997-Up	1	F81Z-7A398-CA
36584	Planet, C-6 Rear (3 Gear) Aluminum 1966-Up	1	
36584A	Planet, C-6 Rear (4 Gear) Aluminum 1966-Up	1	
36584B	Planet, E4OD Rear (3 Gear) Aluminum (W/12 Lug Hub) 1989-97	1	
36584C	Planet, E4OD Rear (4 Gear) Aluminum (W/12 Lug Hub) 1989-97	1	F2TZ-7D006-A
36584CA	Planet, E4OD/4R100 Rear (3 Gear) Aluminum (W/24 Lug Hub) 1998-Up	1	F7TZ-7D006-AA
36584CB	Planet, E4OD/4R100 Rear (4 Gear) Aluminum (W/24 Lug Hub) 1998-Up	1	F7TZ-7D006-BA
36584CD	Planet, E4OD REar (6 Gear Steel With 12 Lug Hub) 1989-97	1	
36584D	Planet, E4OD/4R100 Rear (6 Gear) Steel (W/24 Lug Hub) 1998-Up	1	F8TZ-7D006-AA
36590	Ring Gear, E4OD Overdrive Planet 1989-97	1	E9TZ-7A153-A
36590A	Ring Gear, 4R100 Overdrive Planet 1998-Up	1	F81Z-7A153-AA
36592	Ring Gear, C-6 Forward Planet L1967-E76	1	
36592A	Ring Gear, C-6 Forward Planet L1976-Up	1	E9TZ-7D392-A
36592B	Ring Gear, E4OD/4R100 Forward Planet 1989-Up	1	F81Z-7D392-AB
36594	Ring Gear, C-6 Rear Planet	1	
36594A	Ring Gear, E4OD/4R100 Rear Planet 1989-Up	1	E9TZ-7A153-B
36602	Hub, C-6 Forward Planet Ring Gear 1966-E76	1	
36602A	Hub, C-6 Forward Planet Ring Gear L1976-Up	1	
36602AK	Hub Kit, C-6 Forward Planet Ring Gear And Hub L1976-Up	1	
36602B	Hub, E4OD Forward Planet Ring Gear (Washer Type) 1989-96	1	
36602BA	Hub, E4OD/4R100 Forward Planet Ring Gear (Bearing Type) 1997-Up	1	F7TZ-7B067-AB
36604	Hub, C-6 Output (2 Tang Washer Type) Long Splines 1966-E67	1	
36604A	Hub, C-6 Output (2 Tang Washer Type) Short Splines 1966-E67	1	
36604B	Hub, C-6 Output (3 Tang Washer Type) L1967-87	1	
36604C	Hub, C-6/E4OD/4R100 Output (Bearing Type) 1988-Up	1	F81Z-7D164-AA
36610	Sun Gear, E4OD/4R100 Overdrive (Used With Cast Iron Drum) 1989-98	1	E9TZ-7D063-B
36610A	Sun Gear, E4OD/4R100 Overdrive (Use With Stamped Steel Drum) 1998-Up (The Sun Gear	1	
	Is Pressed Onto The Coast Clutch Drum)	1	F81Z-7D063-A
36612	Sun Gear, C-6 Forward 1966-Up	1	
36612A	Sun Gear, E4OD/4R100 Forward 1989-Up	1	E9TZ-7D063-A
36622	Shell, C-6 Input 1966-Up	1	
36622B	Shell, E4OD/4R100 Input (Retro Fits Early) 1998-Up	1	YC3Z-7D064-AA
36622BA	Shell, E4OD/4R100 Input (Retro Fits Early) 1998-Up (Hardened)	1	YC3Z-7D064-BA
36630	Center Support, E4OD/4R100 (Aluminum Plate Only) 1989-Up (These Are Machined & Comes	1	
	With S36630-2)	1	E9TZ-7A130-B
36636	Support, E4OD Direct Drum (Steel Half) 1989-93	1	
36636B	Support, E4OD Direct Drum (Steel Half) OE Type W/Bearing 1994	1	
36636BK	Support Kit, E4OD Direct Drum (Contains: 36636B,36375B,36484E,36630,36223,36224) 1994...	1	
	(Updated, Will Retro Fit 1989-Up)(Can Use 36636BAK)(These Are Machined & Comes With	1	
	S36630-2)	1	F4TZ-7A130-B
36636BA	Support, E4OD/4R100 Direct Drum (With 36630) W/Bearing (OE Type) 1995-Up	1	F4TZ-7A130-A
36636BAK	Support Kit, E4OD/4R100 Direct Drum (Contains: 36636B,36675BA,36484E,36630,26223,	1	
	36224,36580AA,36670C) 1995-Up (Will Retro Fit 1989-Up)(These Are Machined & Comes	1	
	With S36630-2)	1	

PART #	SPRAGS & ONE WAY CLUTCHES	QTY	REFERENCE #
36640B	Sprag Assembly, E4OD Overdrive (34 Lugs) 3 Pieces (Metal Cage) 1989-94	1	
36640BA	Sprag Assembly, E4OD Overdrive (12 Rollers) 3 Pieces (Plastic Cage)(4.080"OD) 1995-Up	1	F5TZ-7A089-A
36640C	Sprag Assembly, E4OD Overdrive (12 Lugs) 3 Pieces (4.080"ID #661) 1995-98 (Some)	1	
36640D	Sprag Assembly, E4OD Overdrive (26 Lugs) 3 Pieces (4.080"ID #661) 1995-98 (Some)	1	
36642	Sprag Assembly, E4OD/4R100 Intermediate (34 Lugs) W/Outer Race 1989-Up	1	
36642A	Sprag Assembly, E4OD Intermediate (24 Lugs) W/Outer Race	1	
36642E	Mechanical Diode, 4R100 Intermediate (W/16 Inner Lugs) 2000-01 (Use 36555CK Or 555DK)	1	
36650B	Sprag, E4OD Overdrive (34 Elements) Metal Cage 1989-94	1	8623056
36650BA	Sprag, E4OD Overdrive (12 Rollers) Plastic Cage (4.080"OD) 1995-Up (Can Use 86656A)	1	7471019
36650BB	Sprag, 4R100 Overdrive (12 Rollers) Plastic Cage 1998-Up (3.313"OD)	1	7471036
36652	Sprag, E4OD/4R100 Intermediate (34 Lugs) 1989-Up	1	
36652A	Sprag, E4OD Intermediate (24 Lugs)	1	
36652B	Sprag, E4OD/4R100 Intermediate (45 Lugs) Heavy Duty 1989-Up	1	
36654A	Sprag, C-6/E4OD Rear (Spring, Retainer, Rollers) 1966-92	1	D0AZ-7A089-A
36654A-3	Cage And Springs, C-6/E4OD Rear Sprag (No Rollers) 1966-92	1	
36654AK	Sprag, C-6/E4OD Rear (Spring, Retainer, Rollers, Brass Washers) 1966-92	1	
36654D	Sprag, C-6/E4OD Rear (16 Roller W/Plastic Cage) 1989-4/97	1	F3TZ-7A089-A
36654E	Sprag, E4OD/4R100 Rear (17 Roller W/Plastic Cage) 5/97-Up	1	F7TZ-7A089-AA

PART #	HARD PARTS (Continued)	QTY	REFERENCE #
36660	Inner Race, E4OD Overdrive Sprag (For Lug Type Sprag) 1989-Up	1	
36661	Outer Race, E4OD Overdrive Sprag (4.015"ID) 1989-94	1	
36661A	Outer Race, E4OD Overdrive Sprag (4.090"ID) 1995-Up	1	
36661D	Outer Race, 4R100 Overdrive Sprag (3.313"ID) 1998-Up	1	F81Z-7G389-AA
36663	Outer Race, E4OD/4R100 Intermediate Sprag (Lug Type) 1989-Up	1	
36664	Inner Race, C-6 Rear Sprag (1.089" Thick) 1966-69 (Can Use 36664A)	1	
36664A	Inner Race, C-6 Rear Sprag (1.089" Thick) 1970-E76 (Will Retro Fit 1966-E76)	1	
36664B	Inner Race, C-6 Rear Sprag (1.040" Thick) L1976-88	1	
36664E	Inner Race, C-6/E4OD Rear Sprag (1.013" Thick)(3.198"OD) 1989-97	1	E9TZ-7D171-AA
36664EK	Inner Race Kit, C-6/E4OD Rear Sprag (1.013" Thick)(3.198"OD)1989-97 (W/OE Type Bearing)	1	
36664EAK	Inner Race Kit, C-6/E4OD Rear Sprag (1.013" Thick)(3.198"OD)1989-97 (W/Heavy Duty Bearing)	1	
36664F	Inner Race, E4OD/4R100 Rear Sprag (3.398"OD) 1998-Up (Fits 17 Roller Sprag)	1	F7TZ-7D171-AA
36670	Input Shaft, C-6 (31 Spline Converter End)(31 Spline Drum End) 1966-E71	1	
36670A	Input Shaft, C-6 (31 Spline Converter End)(30 Spline Drum End) L1971-Up	1	
36670B	Input Shaft, E4OD (14 1/8" Long)	1	E9TZ-7017-A
36670C	Input Shaft, E4OD/4R100 (13 5/8" Long)	1	F81Z-7017-EA
36675	Shaft, E4OD Overdrive W/Pilot (For Bushing Type Output Shaft)	1	E9TZ-7A658-A
36675A	Shaft, E4OD Overdrive W/Pilot (For Bearing Type Output Shaft)	1	
36675B	Shaft, E4OD Overdrive (No Pilot)(For Cup Plug Type Output Shaft) 1994	1	
36675BA	Shaft, E4OD/4R100 Overdrive (No Pilot)(For Cup Plug Type Output Shaft) 1995-Up	1	F81Z-7A658-AA
36678	Output Shaft, C-6 2WD (17 3/8" Long) Bolt On Yoke Type	1	
36678A	Output Shaft, C-6 2WD (23" Long) W/6 Teeth Speed-o Gear	1	
36678AA	Output Shaft, C-6 2WD (23" Long) W/7 Teeth Speed-o Gear	1	
36678AB	Output Shaft, C-6 2WD (23" Long) W/8 Teeth Speed-o Gear	1	
36678AC	Output Shaft, C-6 2WD (23" Long) W/9 Teeth Speed-o Gear	1	
36678B	Output Shaft, C-6 2WD (26 3/4" Long) W/6 Teeth Speed-o Gear	1	
36678BA	Output Shaft, C-6 2WD (26 3/4" Long) W/7 Teeth Speed-o Gear	1	
36678BB	Output Shaft, C-6 2WD (26 3/4" Long) W/8 Teeth Speed-o Gear	1	
36678BC	Output Shaft, C-6 2WD (26 3/4" Long) W/9 Teeth Speed-o Gear	1	
36678C	Output Shaft, C-6 4x4 (15 3/8" Long)	1	
36678D	Output Shaft, C-6 4x4 (18 1/2" Long)	1	
36678E	Output Shaft, E4OD 4x4 (14 3/8" Long) W/Bushing	1	
36678EA	Output Shaft, E4OD 4x4 (14 3/8" Long) W/Bearing	1	
36678EB	Output Shaft, E4OD 4x4 (14 3/8" Long) W/Cup Plug	1	
36678ED	Output Shaft, 4R100 4x4 (14 3/8" Long) W/Cup Plug (Uses A Rotor)	1	
36678G	Output Shaft, E4OD 4x4 (15 3/4" Long) W/Bushing	1	
36678GA	Output Shaft, E4OD 4x4 (15 3/4" Long) W/Bearing	1	
36678GB	Output Shaft, E4OD 4x4 (15 1/2" Long) W/Cup Plug 1994	1	
36678HA	Output Shaft, E4OD 4x4 (18 1/2" Long) W/Bearing	1	
36678HB	Output Shaft, E4OD 4x4 (18 1/2" Long) W/Cup Plug 1994-Up	1	
36678HC	Output Shaft, 4R100 4x4 (18 1/2" Long) W/Cup Plug (Uses A Rotor)	1	
36678J	Output Shaft, E4OD 2WD (20" Long) W/Bushing (No Speed-o Gear)	1	
36678JA	Output Shaft, E4OD 2WD (20" Long) W/Bearing (No Speed-o Gear)	1	
36678JB	Output Shaft, E4OD/4R100 2WD (20" Long) W/Cup Plug (No Speed-o Gear)	1	
36678JC	Output Shaft, E4OD 2WD (20" Long) W/Bushing (7 Teeth Speed-o Gear)	1	

36678JD	Output Shaft, E4OD 2WD (20" Long) W/Bearing (7 Teeth Speed-o Gear)	1	
36678JE	Output Shaft, E4OD 2WD (20" Long) W/Cup Plug (7 Teeth Speed-o Gear)	1	
36678JF	Output Shaft, 4R100 2WD (20" Long) W/Cup Plug (Uses A Rotor)	1	
36678JG	Output Shaft, E4OD 2WD (20" Long) W/Bushing (8 Teeth Speed-o Gear)	1	
36678JH	Output Shaft, E4OD 2WD (20" Long) W/Bearing (8 Teeth Speed-o Gear)	1	
36678JJ	Output Shaft, E4OD 2WD (20" Long) W/Cup Plug (8 Teeth Speed-o Gear)	1	
36678LA	Output Shaft, E4OD 2WD (23" Long) W/Bearing (No Speed-o Gear)	1	
36678LB	Output Shaft, E4OD 2WD (23" Long) W/Cup Plug (No Speed-o Gear)	1	
36680	Governor, C-6 1966-76	1	
36680A	Governor, C-6 1977-Up	1	
36680B	Governor, C-6 (Cast# RF-E4TP) 1980-Up	1	E4TZ-7C063-A
36680BA	Governor, C-6 Diesel (Cast # 85TZ7C063)	1	
36685	Support, C-6 Governor (With 3 Ring Grooves)	1	C7AZ-7D220-A
36690	Gear, C-6 Parking	1	
36690A	Gear, E4OD Parking (Washer Type) 1989-98	1	E9TZ-7A233-A
36690B	Gear, 4R100 Parking (Bearing Type) 1999-Up	1	
36697	Oil Distribution Sleeve, C-6 (4 Bolts To Case)	1	C6AZ-7C232-A
36740	Valve Body, C-6 W/Detent 1966-69	1	
36740A	Valve Body, C-6 1970-E77	1	
36740B	Valve Body, C-6 (Gas) L1977-Up	1	
36740BD	Valve Body, C-6 (Diesel) L1977-Up (Use 36740B & T36165)	1	
36740C	Valve Body, E4OD (All) 1989	1	
36740D	Valve Body, E4OD (All) 1990-95	1	
36740DB	Valve Body, E4OD/4R100 (Non-PTO Models)(Cast # RF-F6) 1996-Up	1	
36740DC	Valve Body, 4R100 PTO Models (Cast # RF-F8) 1998-Up	1	

PART #	VALVE BODY COMPONENTS	QTY	REFERENCE #
76741-5	Check Ball, E4OD Valve Body (5/16")	AR	E7DZ-7E195-A
44741-5	Check Ball, E4OD Valve Body (1/4")	AR	E0AZ-7E195-B
A36741D-3	Spring, E4OD Reverse Modulator (Fixes 3 Transmissions) (Superior)	1	
S36741EK	Accumulator Kit, E4OD 3rd/4th Accumulator Control Valve (1 Valve, 1Retaining Clip and 4 Spring Shims) (If Bore Is Damaged Use T-36948-12 Also) (Sonnax)	1	
S36741EAK	Accumulator Kit, E4OD 2nd Accumulator Control Valve (1 Valve, 1 Retaining Clip & 4 Spring Shims) (If Bore Is Damaged Use T-36948-12 Also) (Sonnax)	1	
36741EBK	Accumulator Kit, E4OD/4R100 2nd/3rd/4th Accumulator Valves (Transgo)	1	
S36741ECK	Sure Cure Kit, E4OD (Sonnax)	1	
S36741EDK	Sure Cure Kit, 4R100 (Sonnax)	1	
S36741GAK	Valve & Sleeve, E4OD Line Pressure (.372") (Sonnax)	1	36948-O5K
S36741GK	Valve & Sleeve, E4OD Line Pressure (.331") (Sonnax)	1	36948-O3K
S86741HDK	Valve & Sleeve, E4OD/4R100 Line Pressure Modulator (.427"OD) 1995-97	1	
S36741ME-1K	Manual Valve, E4OD/4R100 With E-Clip (Oversized)(Sonnax) (Use With T-F-36947-TL13 And T-VB-Fix)	1	
T-F-36947-TL13	Reamer For S36741ME-1K	1	
T-VB-FIX	Valve Body Reaming Fixture (Sonnax)	1	
S36741P-3K	Spring Kit, C-6 (2WD Gas) Main Pressure Regulator (Elevated Pressure) (20 Springs Per Kit) (Sonnax)	1	
S36741PA-1	Valve, C-6 Pressure Regulator (Oversized) (Must Use Reamer # T-36946-TL) (Sonnax)	1	
S36741PE-3	Spring Kit, E4OD/4R100 Main Pressure Regulator (Elevated Pressure) (20 Springs Per Kit) (Sonnax)	1	
A36741RK	Valve Assembly, C-6 (Steel Boost Valve & Sleeve) (Superior)	1	
S36741RK	Valve & Sleeve Kit, C-6 Reverse Boost (O-Ring Style) (Gas) (Sonnax)	1	36949-O1K
S36741RAK	Valve & Sleeve Kit, C-6 Reverse Boost (O-Ring Style) (Diesel) (Sonnax)	1	36946-O2K
S36741RBK	Valve & Sleeve Kit, Reverse Boost (OE Style) (Diesel) (Sonnax)	1	36946-O3K
S36741RCK	Valve & Sleeve Kit, Reverse Boost (OE Style) (Gas) (Sonnax)	1	36946-O4K
A36741SAK	Valve Kit, E4OD/4R100 2-3 Shift Valve & Spring (For F6 Casting)(Transgo)(Fixes 3 Transmissions) (Contains: Three 2-3 Shift Valves & Three Springs) 6/1995-Up	1	
S36741UAK	Valve & Sleeve Kit, E4OD/4R100 Low/Reverse Modulator (Heavy Duty)(Holding Valve, Orificed Valve, Spring & Sleeve) 1996-Up (Sonnax)	1	
S36741UK	Valve & Sleeve Kit, E4OD/4R100 Low/Reverse Modulator Valve (Plunger & Sleeve) 1996-Up (Sonnax)	1	

PART #	HARD PARTS (Continued)	QTY	REFERENCE #
36742	Accumulator Assembly, E4OD 1989	1	
36742A	Accumulator Assembly, E4OD (Cast # RFE9) 1990-94	1	
36742AA	Accumulator Assembly, E4OD (Cast # RFF5) 1995	1	
36742B	Accumulator Assembly, E4OD/4R100 (Cast # RFF6 or RFF8) 1996-Up	1	
36747E	Seperator Plate, E4OD Valve Body (With 2 Half Moon & 1 U Notch) E1989	1	F4TZ-7A008-A
36747EA	Seperator Plate, E4OD Valve Body (With 1 Half Moon Notch)	1	

C6 / E4OD / 4R100

RWD 3 & 4 Speed

FORD

PART #	HARD PARTS (Continued)	QTY	REFERENCE #
36747EB.....	Seperator Plate, E4OD Valve Body (With 1 Half Moon & 2 V Notches)	1	
36747EC.....	Seperator Plate, E4OD Valve Body (With 2 Half Moon Notches)	1	F5TZ-7A008-A
36747ED.....	Seperator Plate, E4OD Valve Body (With 1 V Notch)	1	F6TZ-7A008-B
36747EDB.....	Seperator Plate, E4OD Valve Body (With 3 V Notches)	1	
36747EF.....	Seperator Plate, E4OD Valve Body (With 1 Triangle Notch).....	1	
36747EFB.....	Seperator Plate, E4OD Valve Body (With 3 Triangle Notches).....	1	
36747EG.....	Seperator Plate, 4R100 Valve Body (With PTO) (Cast # F81Z-BA) 1998-Up.....	1	
36747EH.....	Seperator Plate, 4R100 Valve Body (Non PTO) (Cast # F81Z-DA) 1998-Up	1	
36757E.....	Cover, E4OD/4R100 PTO (6 Bolt).....	1	
36760A.....	Case, C-6 360/390 Round Bell (Screw-In Modulator) 1966-72.....	1	
36760AA.....	Case, C-6 360-390 Round Bell (Push-In Modulator) 1972-76	1	
36760B.....	Case, C-6 Big Block (Flat Top) (Screw-In Modulator) 1968-72	1	
36760BA.....	Case, C-6 Big Block (Flat Top) (Push-In Modulator) 1973-E76	1	
36760BB.....	Case, C-6 Big Block (Flat Top) (Push-In Modulator) L1976-E86 (Cast # RF-D7)	1	
36760BC.....	Case, C-6 Big Block (Flat Top) (Push-In Modulator) L1986-Up (Cast # RF-E7)	1	
36760BG.....	Case, C-6 Diesel (Cast # RF-E3) 1983-86.....	1	E8TZ-7005-G
36760BH.....	Case, C-6 Diesel (Cast # RF-E7) 1987-96.....	1	
36760C.....	Case, C-6 Small Block (Screw-In Modulator) 1968-72	1	
36760CA.....	Case, C-6 Small Block (Push-In Modulator) 1973-E76.....	1	
36760CB.....	Case, C-6 Small Block (Push-In Modulator) (Cast # RF-D7) L1976-E86	1	
36760CC.....	Case, C-6 Small Block (Push-In Modulator) (Cast # RF-E7) L1986-Up	1	
36760D.....	Case, E4OD Big Block (W/4 Bath Tub Slots) 1989.....	1	
36760DA.....	Case, E4OD Big Block (W/3 Bath Tub Slots) 1990-97.....	1	
36760E.....	Case, E4OD 5.0L/5.8L (W/4 Bath Tub Slots) 1989.....	1	
36760EA.....	Case, E4OD 5.0L/5.8L (W/3 Bath Tub Slots) 1990-95.....	1	
36760EB.....	Case, E4OD 5.4L/5.8L/6.8L (V10) (W/2 Bath Tub Slots)(3 Bolt Starter) 1996-97.....	1	
36760EC.....	Case, 4R100 5.4L/6.8L (V10) (W/2 Bath Tub Slots)(3 Bolt Starter) W/Turbine Speed Sensor (No PTO) 1998-Up	1	
36760ED.....	Case, 4R100 5.4L/6.8L (V10) (W/2 Bath Tub Slots)(3 Bolt Starter) W/Turbine Speed Sensor (With PTO) 1998-Up.....	1	
36760G.....	Case, E4OD Diesel (W/4 Bath Tub Slots) 1989.....	1	
36760GA.....	Case, E4OD Diesel (W/3 Bath Tub Slots) 1990-95.....	1	
36760GB.....	Case, E4OD Diesel (W/3 Bath Tub Slots) 1996-97.....	1	
36760GBA.....	Case, E4OD Diesel (W/3 Bath Tube Slots) (Cast # RFF7-AA) 1996-97.....	1	
36760GC.....	Case, 4R100 7.3L Diesel (W/Out PTO) 1998-Up (W/3 Bath Tub Slots)(W/Turbine Shaft Speed Sensor).....	1	
36760GCC.....	Case, 4R100 7.3L (Diesel)(W/Out PTO) 1998-Up (W/3 Bath Tub Slots)(W/Turbine Shaft Speed Sensor)(This Is An Early Case Converted To A Late)	1	
36760GG.....	Case, 4R100 7.3L Diesel (W/PTO) 1998-Up (W/3 Bath Tub Slots)(W/Turbine Shaft Speed Sensor).....	1	

PART #	CASE COMPONENTS	QTY	REFERENCE #
36761A-1.....	Drain Back Valve, E4OD (Goes in 5/16" Cooler Line).....	1	F0TZ-7D174-A
S36761C-2K...	Seal Kit, E4OD/4R100 Intermediate & Direct Clutch Feed (Sonnax)(Contains: 2 Rubber Seals, 2 Seal Tubes & 2 Springs)	1	
36761EP-4.....	Roll Pin, E4OD/4R100 Holds Shift Lver Pin In Case 1989-Up (.113"OD) 1.006" Long.....	1	
S36996G-5K...	Cooler By-Pass Check Ball Assembly, E4OD/4R100 (Contains: Check Ball, T-Valve, Spring, And 7 O-Rings) (Sonnax).....	1	
36783.....	Bolt, E4OD Center Support To Case.....	2	E9TZ-7Z059-B
36783-S.....	Shim, E4OD/4R100 Center Support Bolt To Case (Aluminum)	1	
S36783-SK.....	Shim Kit, E4OD/4R100 Center Support Bolt To Case (Aluminum)(10 Pieces)(Sonnax)	1	
36784.....	Bolt, E4OD Intermediate Clutch Cylinder.....	1	E9TZ-7Z059-A
36916-2.....	Band Strut, C-6 Intermediate (Flat).....	1	C6AZ-7D029-C
36991-1.....	Kickdown Lever, C-6 (Internal) L1976-UP.....	1	D0AZ-7D261-B
T-TK56RTD	Tool Kit, AOD/AODE/4R70W Shift Linkage Pin Remover & Installer (Teckpak)	1	

PART #	HARD PARTS (Continued)	QTY	REFERENCE #
36765.....	Pan, C-6 2WD Shallow 1966-74	1	E9TZ-7A194-A
36765A.....	Pan, C-6 2WD (1 7/8" Deep) 1975-Up.....	1	F5TZ-7A194-D
36765B.....	Pan, C-6 4x4	1	E5TZ-7A194-C
36765C.....	Pan, E4OD 2WD	1	
36765D.....	Pan, E4OD 4x4	1	
36765DA.....	Pan, 4R100 2WD (For Reusable Gasket) 1998-Up.....	1	
36765E.....	Pan, 4R100 4x4 (For Reusable Gasket) W/Drain Plug 1998-Up.....	1	
36765EA.....	Pan, 4R100 4x4 (For Reusable Gasket) No Drain Plug 1998-Up.....	1	
36770.....	Extension Housing, C-6 2WD (Aluminum) (All Except Lincoln)	1	
36770A.....	Extension Housing, C-6 2WD (Aluminum) (Lincoln Only).....	1	

36770AA.....	Extension Housing, C-6 2WD (Bolt On Type Yoke)	1	
36770B.....	Extension Housing, C-6 4x4 (Aluminum)	1	
36770BA.....	Extension Housing, C-6 4x4 (8 3/4")(Cast Iron)	1	
36770BB.....	Extension Housing, C-6 4x4 (5 3/4")(Cast Iron)	1	
36770C.....	Extension Housing, E4OD 2WD 1989-97	1	
36770D.....	Extension Housing, E4OD 2WD (For Brake Drum)(Aluminum)(4 5/8")(Cast # F7TP-7A040-AA)	1	
36770DA.....	Extension Housing, 4R100 2WD (10 1/2")(3.180"OD Seal) No Sensor	1	
36770DB.....	Extension Housing, 4R100 2WD (10 1/2")(3.180"OD Seal) W/Sensor	1	
36770DC.....	Extension Housing, E4OD 2WD (10 1/2")(2 1/2"OD Seal) No Sensor & No Speed-O Hole 1998-Up	1	
36770DD.....	Extension Housing, E4OD 2WD (10 1/2")(2 1/2"OD Seal) W/Sensor Hole On Top 1998-Up	1	
36770DE.....	Extension Housing, E4OD 2WD (10 1/2")(2 1/2"OD Seal) No Sensor Hole W/Speed-O Hole 1998-Up	1	
36770E.....	Extension Housing, E4OD 4x4 (Aluminum) 1989-97	1	
36770EB.....	Extension Housing, E4OD/4R100 4x4 (Aluminum) W/Speed Sensor 1998-Up (Cast # RF-F81P)	1	
36770EC.....	Extension Housing, E4OD/4R100 4x4 (Cast Iron) W/Speed Sensor 1998-Up	1	
36770ED.....	Extension Housing, E4OD/4R100 4x4 (Aluminum) W/Out Speed Sensor 1998-Up	1	
86774C.....	Speed-O Housing, E4OD With Sensor (2 Pin Connector) (Uses A Cable)	1	E9TZ-9E731-A
36774D.....	Speed-O Housing, E4OD With Sensor (2 Pin Connector) (2.21 OHMS) 1997-Up (Does Not Use A Cable)	1	F65Z-9E731-AB
26775.....	Converter Nut, C-6 Flange Type	4	
26775A.....	Converter Nut, C-6 Self Locking	4	
26775C.....	Converter Plug, C-6 (Allen Head)	4	
26775D.....	Converter Plug, C-6 (7/16" Hex Head)	4	
36777K.....	Bolt Set, C-6 Pump To Case	1	
36777AK.....	Bolt Set, E4OD/4R100 Pump To Case (9 Bolts)	1	
36778K.....	Bolt Set, C-6 Pump Body To Stator (5 Pieces)	1	
36778AK.....	Bolt Set, E4OD Pump Body To Stator (11 Pieces)	1	
36778BK.....	Bolt Set, 4R100 Pump Body To Stator (12 Pieces)	1	
36779K.....	Bolt Set, C-6 Pan To Case	1	
S36779.....	Pan Bolt, C-6 (Sonnax)	AR	
S36779A.....	Pan Bolt, E4OD/4R100 (Metric) (Sonnax)	AR	
36779AK.....	Bolt Set, E4OD Pan To Case	1	
36781K.....	Bolt Set, C-6 Extension Housing To Case	1	
36781AK.....	Bolt Set, E4OD Extension Housing To Case (2WD)	1	
36781AAK.....	Bolt Set, E4OD Extension Housing To Case (4x4)	1	
36783.....	Bolt, E4OD Center Support To Case	3	E9TZ-7Z059-B
36783-S.....	Shim, E4OD/4R100 Center Support Bolt To Case (Aluminum)	3	
36783-SK.....	Shim Kit, E4OD/4R100 Center Support Bolt To Case (Aluminum)(10 Pieces)(Sonnax)	1	
36783B.....	Bolt Set, E4OD Holds Aluminum Center Support To Steel Direct Drum Support (3 Per Set)	1	
36784.....	Bolt, E4OD/4R100 Intermediate Clutch Cylinder (1.235" Long) (12mm)	1	E9TZ-7Z059-A
36790K.....	Bolt Set, C-6 Rear Support To Case	1	
36790AK.....	Bolt Set, E4OD Rear Support To Case	1	
44839.....	Pan Magnet, Retangular	1	
44839A.....	Pan Magnet, Round	1	3787240
36843.....	Bracket, C-6 Modulator	1	
36848E.....	Rotor, 4R100 (18 Teeth)	1	
36853.....	Cushion, C-6/E4OD Forward Clutch	1	D6AZ-7E085-B
36854.....	Cushion, C-6 Reverse Clutch (.062") L1976-Up	1	
36854A.....	Cushion, C-6 Reverse Clutch (.085") 1992-Up	1	
36854EC.....	Cushion, E4OD Reverse Clutch (.080") 1996-Up	1	F6TZ-7D085-A
36860.....	Snap Ring, E4OD Holds Overdrive Pressure Plate In Case (.050")	1	
36860A.....	Snap Ring, E4OD Holds Overdrive Pressure Plate In Case (.079") Also Holds Intermediate Overdrive Cylinder In Case	1-2	
36860B.....	Snap Ring, E4OD Holds Overdrive Pressure Plate In Case (.099")	1	
36860C.....	Snap Ring, E4OD Holds Overdrive Pressure Plate In Case (.119")	1	
36860D.....	Snap Ring, E4OD Holds Overdrive Pressure Plate In Case (.139")	1	386842
36862.....	Snap Ring, E4OD Holds Overdrive Return Spring In Drum (Update)(With More Tension)	1	F0TZ-7A527-A
36863.....	Snap Ring, E4OD Holds Overdrive Sprag In Ring Gear 1989-97	1	
36863A.....	Snap Ring, 4R100 Holds Overdrive Sprag In Ring Gear 1998-Up	1	
36864.....	Snap Ring, E4OD Holds Overdrive Sprag To Drum	1	
36866.....	Snap Ring, E4OD Overdrive Sun Gear Stop	1	
36868.....	Snap Ring, E4OD Holds Center Shaft In Overdrive Ring Gear 1989-97	1	
36868A.....	Snap Ring, E4OD/4R100 Holds Center Shaft In Overdrive Ring Gear 1998-Up	1	F5TZ-7G375-AA
36871.....	Snap Ring, E4OD Holds Coast Clutch Beveled Spring In Drum (3 1/16"OD) (.076" Thick) 1989-97	1	E9TZ-7A527-B
36871A.....	Snap Ring, E4OD/4R100 Holds Coast Clutch Beveled Spring In (3 1/4"OD) (.060" Thick) 1998-Up	1	F81Z-7A527-AA

C6 / E4OD / 4R100

RWD 3 & 4 Speed

FORD

PART #	HARD PARTS (Continued)	QTY	REFERENCE #
36878	Snap Ring, C-6/E4OD/4R100 Forward & Direct Pressure Plate (058") Also E4OD/4R100 Coast Clutch Pressure Plate & C-6/E4OD/4R100 Forward Beveled Spring	1-4	E9TZ-7D483-A
36878A	Snap Ring, C-6/E4OD/4R100 Forward & Direct Pressure Plate (067") Also E4OD/4R100 Coast Clutch Pressure Plate & C-6/E4OD/4R100 Forward Beveled Spring	1-4	E9TZ-7D483-B
36878B	Snap Ring, C-6/E4OD/4R100 Forward & Direct Pressure Plate (076") Also E4OD/4R100 Coast Clutch Pressure Plate & C-6/E4OD/4R100 Forward Beveled Spring	1-4	E9TZ-7D483-C
36878C	Snap Ring, C-6/E4OD/4R100 Forward & Direct Pressure Plate (085") Also E4OD/4R100 Coast Clutch Pressure Plate & C-6/E4OD/4R100 Forward Beveled Spring	1-4	
36878D	Snap Ring, C-6/E4OD/4R100 Forward & Direct Pressure Plate (094") Also E4OD/4R100 Coast Clutch Pressure Plate & C-6/E4OD/4R100 Forward Beveled Spring	1-4	
36878F	Snap Ring, C-6/E4OD/4R100 Forward & Direct Pressure Plate (.112") Also E4OD/4R100 Coast Clutch Pressure Plate & C-6/E4OD/4R100 Forward Beveled Spring	1-4	
36879	Snap Ring, C-6/E4OD/4R100 Holds Retainer To Direct Drum	1	E9TZ-7C122-A
36881	Snap Ring, C-6/E4OD/4R100 Holds Forward Clutch Hub In Forward Ring Gear	1	377132-S
36884	Snap Ring, C-6/E4OD/4R100 Holds Sun Gear To Shell	1	377300-S
36888	Snap Ring, C-6/E4OD Holds Rear Planet In Reverse Hub 1966-97	1	W706715
36888A	Snap Ring, C-6/E4OD Holds Rear Planet In Reverse Hub 1998-Up	1	
36889A	Snap Ring, C-6/E4OD Holds Rear Hub To Rear Ring Gear	1	377132
36890	Snap Ring, C-6/E4OD/4R100 Holds Sprag In Reverse Hub	2	377135-S2
36892	Snap Ring, C-6/E4OD/4R100 Holds Reverse Clutch Pressure Plate In Case (.075" Thick)	1	E9TZ-7D483-J
36893	Snap Ring, C-6 Holds Reverse Clutch Spring Retainer In Case 1966-88	1	
36894A	Snap Ring, C-6 Output Shaft (Front) (.055" Thick) 1966-76	1	377138
36894B	Snap Ring, C-6/E4OD Output Shaft (Front) (.075" Thick) 1976-Up	1	387031-S5
36895	Snap Ring, C-6/E4OD Output Shaft (Rear)	1	387035-S5
36896	Snap Ring, E4OD Holds Intermediate Servo In Case	1	
36905B	Servo Assembly, C-6 Super Servo	1	
36905E	Servo Assembly, E4OD (1st Design) (Uses Cover # 909)	1	
36906	Spring, C-6 Intermediate Servo	1	C8SZ-7D028-B
36906E	Spring, E4OD Intermediate Servo (1st Design)	1	
36907	Piston, C-6 Intermediate Servo (No Dimples)(Fits L Cover)	1	D5TZ-7D021-A
36907A	Piston, C-6 Intermediate Servo (1 Dimple)(Fits N Cover)	1	D5UZ-7D021-A
36907B	Piston, C-6 Intermediate Servo (2 Dimples)(Fits P Cover)	1	D5TZ-7D021-B
36907C	Piston, C-6 Intermediate Servo (3 Dimples)(Fits S Cover)	1	D7AZ-7D021-A
36907D	Piston, C-6 Intermediate Servo (Early) Aluminum (Fits D Cover)	1	
36907DK	Servo Kit, C-6 Intermediate Servo (R-Code)	1	
36907E	Piston, E4OD Servo (1st Design) (Uses A Cover # 909)	1	F6TZ-7D021-A
36909	Cover, C-6 Intermediate Servo (W/Cast Letter L)	1	
36909A	Cover, C-6 Intermediate Servo (W/Cast Letter N)	1	
36909B	Cover, C-6 Intermediate Servo (W/Cast Letter S)	1	
36909C	Cover, C-6 Intermediate Servo (W/Cast Letter P)	1	
36909D	Cover, C-6 Intermediate Servo (W/Cast Letter D)	1	
36909DG	Cover, C-6 Intermediate Servo (W/Cast Letter G)	1	
36916-1	Servo Lever, C-6 Intermediate Band	1	
S36916-1	Servo Lever, C-6 Intermediate Hi-Performance (R-Code) (Sonax) (OEM "E" Ratio 1.85)	1	
36916A-1	Servo Lever, C-6 Stock Lever	1	
S36916-1FF	Servo Lever, C-6 Intermediate Hi-Performance (Not For "H" or "R" Codes) (Sonnax) (Non Stock Ratio 2.82)	1	
36916-2	Band Strut, C-6 Intermediate (Flat)	1	
36916-3	Band Anchor Strut, C-6 Intermediate (Wedge Shaped)	1	
36919	Adjusting Bolt, C-6 Intermediate Band	1	
36922	Nut, C-6 Band Adjusting Nut	1	375185-S100
36926K	Spring Kit, C-6 Accumulator (Inner & Outer)	1	
A36926CK	Spring Kit, E4OD/4R100 Accumulator (Outer)(3 Per Pack) (Superior)	1	
A36927CK	Accumulator Kit, E4OD/4R100 (3 Steel Pistons & 3 Springs) (Superior)	1	
T-36948-12	Bore Sizing Tool, E4OD Accumulator (2nd/3rd/4th Accumulator Valve) Use With S36741EK To Repair Worn Bore	1	
36960	Piston, E4OD Overdrive Clutch 1989-95	1	E9TZ-7A262-A
36960A	Piston, E4OD Overdrive Clutch (Bonded Rubber) 1996-Up	1	F6TZ-7A262-AA
36962	Piston, E4OD/4R100 Intermediate Clutch (Aluminum)	1	E9TZ-7E005-A
36964	Piston, C-6/E4OD Forward Clutch 1976-Up	1	D6AZ-7A262-A
36965	Piston, C-6 Direct Clutch Piston	1	D8AZ-7D402-A
36965E	Piston, E4OD/4R100 Direct Clutch (Cast # E9TP-7A262-CA) (Used With A Washer Type Direct Drum) 1989-98	1	E9TZ-7A262-C
36965EA	Piston, E4OD/4R100 Direct Clutch (Cast # YC3P-7A262-AA) (Used With A Bearing Type Direct Drum) 1998-Up	1	
36966	Piston, C-6 Reverse Clutch 1966-E76	1	C6AZ-7D402-A
36966A	Piston, C-6 Reverse Clutch L1976-E86	1	
36966B	Piston, C-6 Reverse Clutch L1986-Up	1	D8AZ-7D402-A

36966C	Piston, E4OD Reverse Clutch 1989-98	1	E9TZ-7D402-A
36966CA	Piston, 4R100 Reverse Clutch 1998-Up	1	F6TZ-7D402-A
36969	Piston, E4OD Coast Clutch (Inner) Aluminum (For Cast Iron Drum)	1	
36969A	Piston Ring, E4OD Coast Clutch (Outer) Steel (For Cast Iron Drum)	1	
36969B	Piston, 4R100 Coast Clutch (Molded Rubber) (For Stamped Steel Drum)	1	F81Z-7A262-AA
36970	Diaphragm Spring, E4OD/4R100 Overdrive Clutch 1989-Up	1	E9TZ-7B070-A
36972	Diaphragm Spring, E4OD/4R100 Intermediate Clutch 1989-Up	1	E9TZ-7B070-B
36974A	Spring, C-6 Forward Clutch Disc Spring (.076") 1966-E76	1	D9AZ-7B070-A
36974B	Spring, C-6/E4OD Forward Clutch Disc Spring (.094") L1976-Up	1	D9AZ-7B070-A
36975	Spring, C-6 Direct Clutch Return 1966-E76	10	C7ZZ-7B488-A
36975A	Springs W/Retainer, C-6 Direct Clutch Return L1976-91	1	
36975B	Springs W/Retainer, E4OD/4R100 Direct Clutch Return 1989-Up	1	E9TZ-7F235-A
36976	Springs, C-6 Reverse Clutch Return 1966-E76	10	
36976A	Springs W/Retainer, C-6 Reverse Clutch Return L1976-E86	1	D6AZ-7D406-A
36976B	Springs W/Retainer, C-6/E4OD Reverse Clutch Return (3.00"ID)(4.925"OD) L1986-Up	1	E6TZ-7D406-A
36976C	Springs W/Retainer, 4R100 Reverse Clutch Return (3.00"ID)(5.190"OD) 1998-Up	1	F6TZ-7D406-A
36979	Diaphragm Spring, E4OD Coast Clutch	1	E9TZ-7B070-C
36979A	Springs W/Retainer, 4R100 Coast Clutch	1	F81Z-7B070-AA
36985	Retainer, C-6 Direct Clutch Spring 1966-E76	1	
36986	Retainer, C-6 Reverse Clutch Spring 1966-E76	1	
36991	Linkage Assembly, C-6 W/Park Rod (Internal) 1966-69	1	
36991-2	Detent Roller Arm, E4OD	1	E9TZ-7E332-A
36991A	Linkage Assembly, C-6 W/Park Rod (Internal) 1970-UP	1	
36991A-2	Detent Spring & Roller, C-6	1	
36991B	Linkage Assembly, E4OD (Internal W/Park Rod) 1989-98	1	
36991EB-4	Manual Shaft, 4R100 (5.395" Long)(Threaded On Both Ends) 1998-Up	1	
T-TK56RTD	Tool Kit, 4R100 Shift Linkage Pin Remover & Installer (Teckpak)	1	
36992	Lever W/Shaft, C-6 Shift (External) Car (Floor Shift) 1966-69 (No Grommet Type)	1	
36992A	Lever W/Shaft, C-6 Shift (External) Car (Column Shift) 1966-69 (No Grommet Type)	1	
36992AA	Lever W/Shaft, C-6 Shift (External) Truck (Column Shift) 1966-69 (No Grommet Type)	1	
36992AB	Lever W/Shaft, C-6 Shift (External) Car (Floor Shift) 1970-E76 (Uses 3/8" Grommet)	1	
36992AC	Lever W/Shaft, C-6 Shift (External) Car (Column Shift) 1970-E76 (Uses 3/8" Grommet)	1	
	(Cast # D5UP-AA)	1	
36992ACA	Lever W/Shaft, C-6 Shift (External) Car (Column Shift) 1970-E76 (Uses 3/8" Grommet)	1	
	(Cast # D8TP-AA)	1	
36992AD	Lever W/Shaft, C-6 Shift (External) Truck (Column Shift) 1970-E76 (Uses 3/8" Grommet)	1	
	(Cast # D3TP-CA)	1	
36992AE	Lever W/Shaft, C-6 Shift (External) Car (Floor Shift) L1976-Up (Uses 1/2" Grommet)	1	
	(Cast # D5TP-AA)	1	
36992AG	Lever W/Shaft, C-6 Shift (External) Car (Column Shift) L1976-Up (Uses 1/2" Grommet)	1	
	(Cast # D2AP-AA)	1	
36992AGA	Lever W/Shaft, C-6 Shift (External) Car (Column Shift) L1976-Up (Uses 1/2" Grommet)	1	
	(Cast # E0TP-CA)	1	
36992AH	Lever W/Shaft, C-6 Shift (External) Truck (Column Shift) L1976-Up (Uses 1/2" Grommet)	1	
36992B	Lever W/Shaft, E4OD Shift (External) Truck 1989-91	1	E9TZ-7A256-A
36992BA	Lever W/Shaft, E4OD Shift (External) Truck 1992-98	1	F2UZ-7A256-B
36992BB	Lever W/Shaft, E4OD Shift (External) Truck 1996-97 (Cast # F75P)	1	
36992C	Lever W/Out Shaft, 4R100 Shift (External) Truck (F2UP-BA) 1998-Up	1	
36994E	Park Rod Actuator, E4OD/4R100 (10 3/8" Long)	1	
36995	Park Pawl Assembly, C-6	1	
36995E	Park Pawl Assembly, E4OD/4R100 1989-Up	1	
36995E-3	Spring, E4OD/4R100 Park Pawl Return	1	
T86996	Cooler Line Fitting, E4OD Double O-Ring (Teckpak) 1991-Up	1	
26996A	Fitting, C-6 Cooler Line (Straight) (5/16" Line x 1/8" Pipe Thread) Screw In Flared	1	
36996G	Cooler By-Pass Valve Assembly, E4OD/4R100 1997-Up (Retro Fit) The Front Cooler Line Fitting	1	
	Attaches From The Bottom Of This Assembly	1	2C3Z-7H322-AA
36996G-5K	Cooler By-Pass Check Ball Assembly, E4OD/4R100 (Contains: Check Ball, T-Valve, Spring, And 7 O-Rings) (Sonnax)	1	
36996GA	Cooler By-Pass Valve Assembly, 4R100 1998-Up (The Front Cooler Line Fitting Sticks Straight Out To The Passengers Side Of This Assembly)	1	2C3Z-7H322-AA
36999A	Tube, C-6 Governor (Long)	1	C6AZ-7D000-B
36999B	Tube, C-6 Governor (Short)	1	C6AZ-7D000-A

FORD