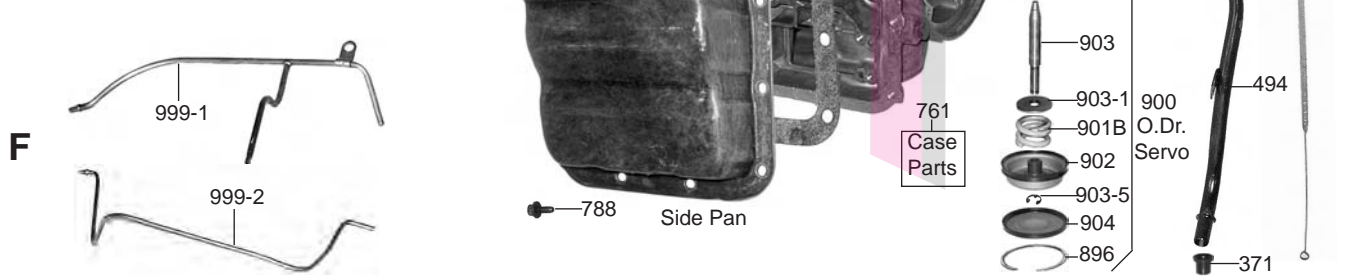
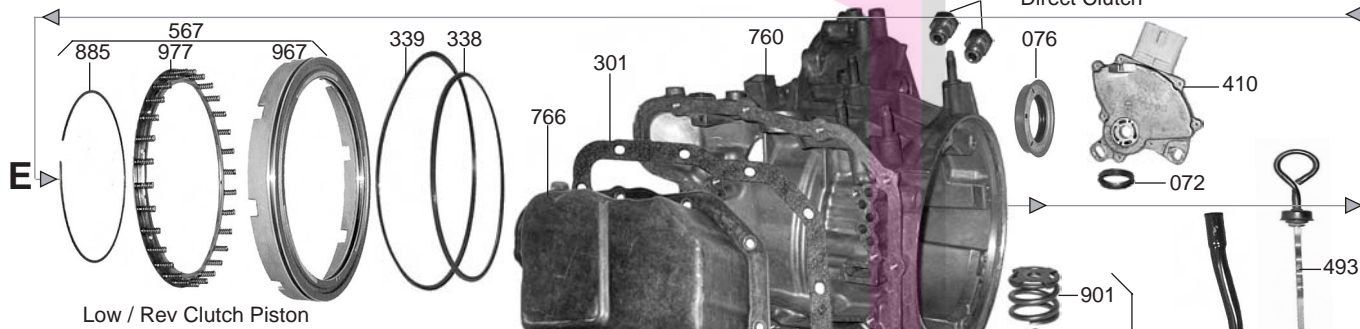
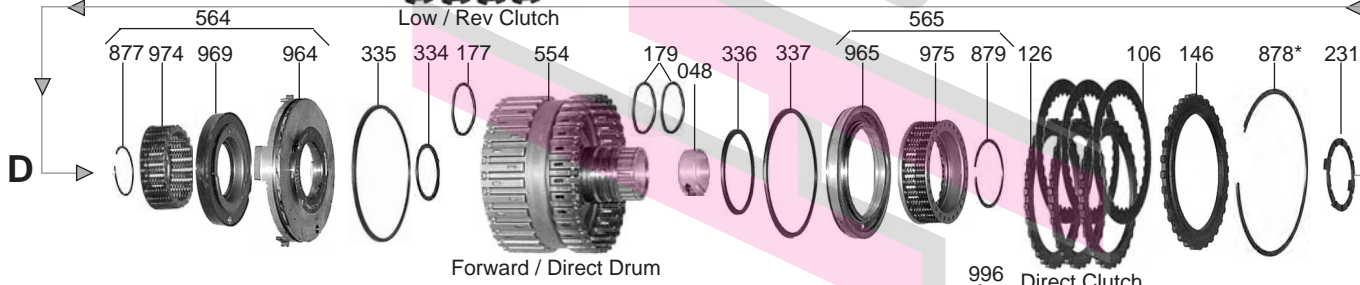
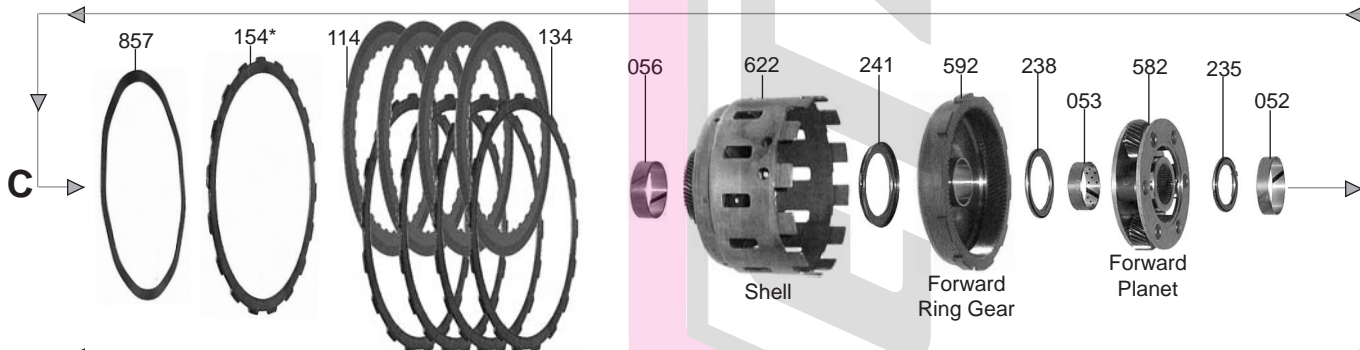
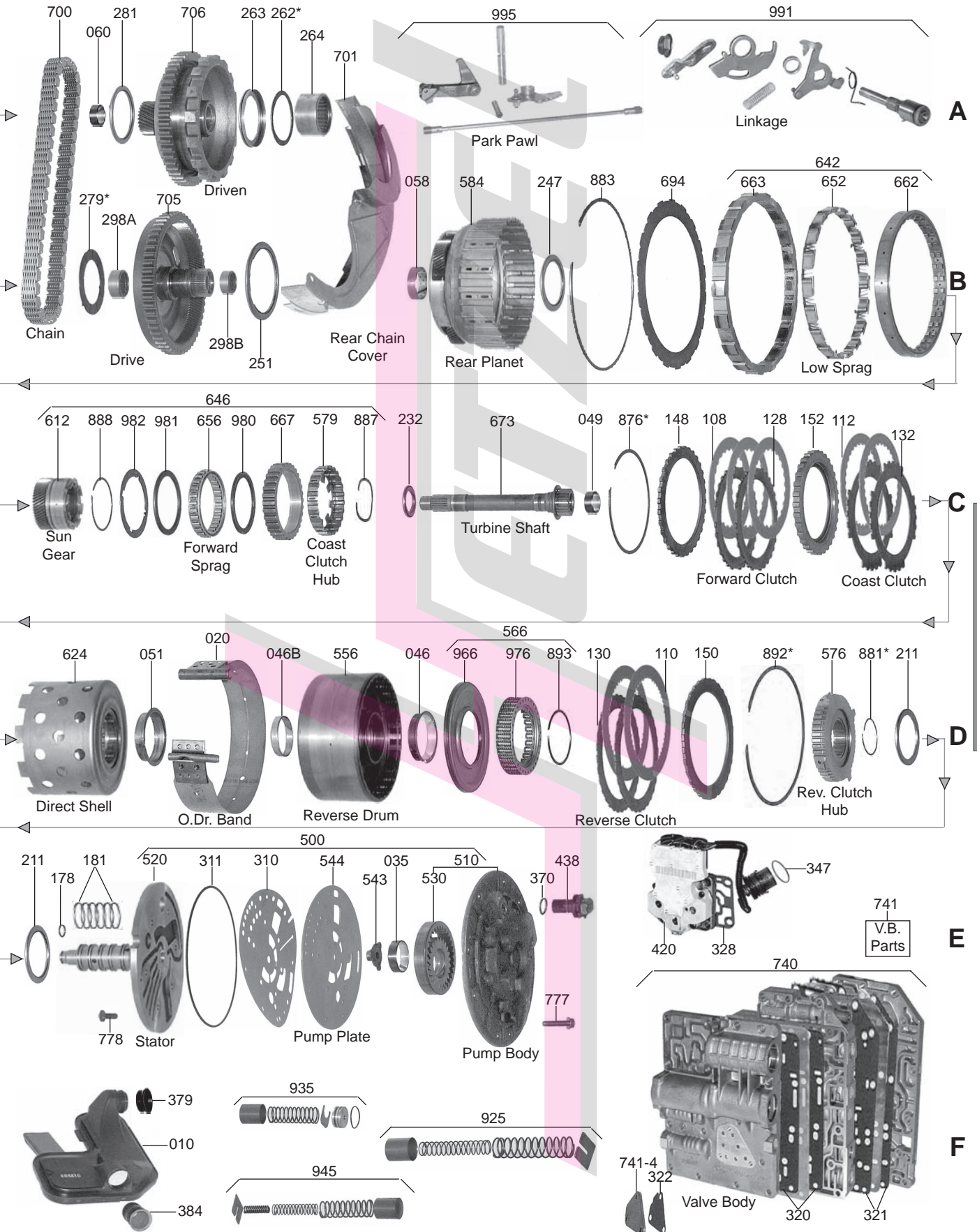


- 000 **P&R Kit**
- 002 **OHK Kit**
- 004 **Master L/Steels Kit**
- 006 **Master W/Steels Kit**
- 011 **Filter Kit**
- 030 **Bushing Kit**
- 119 **Friction Module**
- 167 **V.B. Kit**
- 175 **Ring Kit**
- 201 **Bearing Kit**
- 400 **Tech Manual**



FORD



FORD

PART #	PAPER & RUBBER KIT	QTY.	REFERENCE #
96000	Paper & Rubber Kit, CD4E 1994-Up	1	

PART #	OVERHAUL KITS	QTY.	REFERENCE #
96002	Overhaul Kit, CD4E 1994-04 (For Bonded Pistons Sell 96960AK Or 96960BK)	1	
96002CW	Overhaul Kit, CD4E (With Molded Pan Gasket) 2003-Up (For Bonded Pistons Sell 96960BK)	1	

PART #	MASTER L/STEEL KIT	QTY.	REFERENCE #
96004	Master L/Steels Kit, CD4E 1994-95 (For Bonded Pistons Sell 96960AK)	1	
96004B	Master L/Steels Kit, CD4E (Hi Energy Frictions) 1996-02 (For Bonded Pistons Sell 96960AK Or 96960BK)	1	
96004CW	Master L/Steels Kit, CD4E (With Molded Pan Gasket) 2003-Up (For Bonded Pistons Sell 96960BK)	1	

PART #	MASTER W/STEEL KIT	QTY.	REFERENCE #
96006	Master W/Steels Kit, CD4E 1994-95 (For Bonded Pistons Sell 96960AK)	1	
96006B	Master W/Steels Kit, CD4E (Hi Energy Frictions) 1996-02 (For Bonded Pistons Sell 96960AK Or 96960BK)	1	
96006CW	Master W/Steels Kit, CD4E (W/Molded Pan Gasket) 2003-Up (For Bonded Pistons Sell 96960BK)	1	

PART #	FILTER	QTY.	REFERENCE #
96010	Filter, CD4E 1994-Up	1	F3RZ-7A098-A

PART #	FILTER KIT	QTY.	REFERENCE #
96011	Filter Kit, CD4E 1994-Up	1	

PART #	BANDS	QTY.	REFERENCE #
96020	Band, CD4E Overdrive (1.658" Wide) 1994-95	1	F3RZ-7D034-A
96020A	Band, CD4E Overdrive (2.047" Wide) (4 Cylinder & V6) (High Energy) 1994-Up	1	F4RZ-7D034-A
96020AA	Band, CD4E Overdrive (2.047" Wide) (V8 Engine) (Higher Energy) 2001-Up	1	

PART #	BUSHINGS	QTY.	REFERENCE #
96030	Bushing Kit, CD4E 1994-Up	1	
96031	Bushing, CD4E Converter Hub (1.772"ID)	1	F3RP-7N805-AA
96032	Bushing, CD4E Converter Reactor (.935"ID)	1	F3RP-7N817-AA
96035	Bushing, CD4E Inner Pump Gear (1.358"ID)	1	F3RP-7B259-BA
96046	Bushing, CD4E Reverse Clutch Drum (W/Shoulder) (Rear)	1	F3RP-7F217-AA
96046B	Bushing, CD4E Reverse Clutch Drum (Front)	1	F3RP-7F218-AA
96048	Bushing, CD4E Direct & Forward Clutch Drum	1	F3RP-7H209-AB
96049	Bushing, CD4E Turbine Shaft	1	F3RP-7H025-AA
96051	Bushing, CD4E Direct Hub & Shell	1	F3RP-7H240-AA
96052	Bushing, CD4E Forward Sun Gear	1	F3RP-7F366-AA
96053	Bushing, CD4E Forward Planet	1	F3RP-7H034-AA
96056	Bushing, CD4E Reverse Sun Gear Shell	1	F3RP-7H033-AB
96058	Bushing, CD4E Reverse Planet	1	F3RP-7H043-AA
96060	Bushing, CD4E Driven Sprocket	1	F3RP-7G344-AA
96063	Bushing, CD4E Differential Housing To Driven Sprocket (2.061"ID)	1	F3RP-7H040-AA
96063B	Bushing, CD4E Differential Housing To Axle Spider Gear (1.620"ID)	1	
86064	Bushing, CD4E 2WD Bell Housing To Differential (Behind Axle Seal) (1.410"ID)	1	
96064A	Bushing, CD4E AWD Differential To Bell Housing (3.750"ID)	1	

PART #	METAL CLAD SEALS	QTY.	REFERENCE #
96070	Seal, CD4E Converter Hub	1	F3RZ-7F401-A
96072	Seal, CD4E Manual Control Lever	1	E1FZ-7B498-A
86076	Seal, CD4E Axle (2WD Both Axles)(AWD Case Side Only)	1-2	E6DZ-1177-A
96076A	Seal, CD4E Axle (AWD Adapter, Bell Housing Side)	1	YL8Z-1S177-AA

PART #	FRICITION CLUTCH	QTY.	REFERENCE #
96106	Friction, CD4E Direct Clutch (.065") (24 Teeth) (5.268"OD) 1994-95	3-4	F4RZ-7B164-D
96106A	Friction, CD4E Direct Clutch (.065") (24 Teeth) (5.268"OD) High Energy 1996-Up	3-4	F6RZ-7B164-A
96108	Friction, CD4E Forward Clutch (.065") (32 Teeth) (5.272"OD)	3	F3RZ-7B164-B
96108A	Friction, CD4E Forward Clutch (.065") (32 Teeth) (5.272"OD) High Energy 2001-Up	3	
96110	Friction, CD4E Reverse Clutch (.065") (6.065"OD)	2	F3RZ-7B164-A
96112	Friction, CD4E Coast Clutch (.065") (24 Teeth) (4.830"OD) 1994-96	2	F3RZ-7B164-E
96112A	Friction, CD4E Coast Clutch (.065") (24 Teeth) (4.830"OD) Hi Energy 1997-Up	2	F7RZ-7B164-AA
96114	Friction, CD4E Low/Reverse Clutch (.065") (32 Teeth) (8 5/8"OD)	3-4	F3RZ-7B164-C
96114A	Friction, CD4E Low/Reverse Clutch (.065") (32 Teeth) (8 5/8"OD) (Hi Energy) 2001-Up	3-4	
96119	Friction Module, CD4E 1994-Up	1	
96119A	Friction Module, CD4E (With Hi Energy Coast & Direct Clutch Frictions)	1	
PART #	STEEL CLUTCH	QTY.	REFERENCE #
96126	Steel, CD4E Direct Clutch (.079") (32 Teeth) (4.114"ID) 1994-Up	3-4	F3RZ-7B442-E
96126B	Steel, CD4E Direct Clutch (.118") (32 Teeth) (4.114"ID) 1994-Up	3-4	F5RZ-7B442-A
96128	Steel, CD4E Forward Clutch (.069") (32 Teeth) (4.260"ID)	2-3	F3RZ-7B442-C
96130	Steel, CD4E Reverse Clutch (.069") (32 Teeth) (4.750"ID)	2	F3RZ-7B442-A
96132	Steel, CD4E Coast Clutch (.069") (20 Teeth) (3.776"ID)	2	F3RZ-7B442-D
96134	Steel, CD4E Low/Reverse Clutch (.069") (18 Teeth) (7.800"ID)	3-4	F3RZ-7B442-B
PART #	CLUTCH PRESSURE PLATES	QTY.	REFERENCE #
96146	Pressure Plate, CD4E Direct Clutch W/Hump (.155" Thick Less Hump)	1	F3RZ-7B477-A
96148	Pressure Plate, CD4E Forward Clutch (.158") Flat (4.265"ID) Can Use 96148A	1	F3RZ-7B066-BA
96148A	Pressure Plate, CD4E Forward Clutch (.158") W/Hump (4.265"ID) Can Use 96148	1	
96150	Pressure Plate, CD4E Reverse Clutch (.156")	1	F3RZ-7D408-A
96152	Pressure Plate, CD4E Coast Clutch (.358") 1994-97	1	F3RZ-7B066-C
96152B	Pressure Plate, CD4E Coast Clutch (.188") 1998-Up	1	F8RZ-7B066-AA
96154A	Pressure Plate, CD4E Low/Reverse Clutch (.083")	1	F3RZ-7B066-D
96154B	Pressure Plate, CD4E Low/Reverse Clutch (.090")	1	F3RZ-7B066-E
96154C	Pressure Plate, CD4E Low/Reverse Clutch (.099")	1	F3RZ-7B066-F
96154D	Pressure Plate, CD4E Low/Reverse Clutch (.106")	1	
PART #	VALVE BODY KITS	QTY.	REFERENCE #
T96167	Shift Kit, CD4E Junior 1994-99	1	SK® CD4-JR
PART #	OIL SEALING RINGS	QTY.	REFERENCE #
96175	Ring Kit, CD4E	1	
96177T	Ring, CD4E Forward/Direct Clutch Hub (Solid) (Teflon)	1	F3RZ-7C099-A
96178T	Ring, CD4E Pump Stator To Turbine Shaft (Teflon)	1	F3RP-7H115-BA
96179T	Ring, CD4E Reverse Clutch Cylinder (Scarf Cut) (Teflon)	2	F3RZ-7D020-A
96181T	Ring, CD4E Pump Stator To Forward/Direct & Reverse Drum (Teflon)	6	F3RZ-7H114-FA
PART #	WASHERS & BEARINGS	QTY.	REFERENCE #
96201A	Bearing Kit, CD4E	1	
96211	Bearing, CD4E Stator To Reverse Hub	1	F3RZ-7H241-A
96231	Washer, CD4E Forward & Direct Drum To Reverse Drum (Plastic)(4 Tab)	1	F3RZ-7G116-A
96231HD	Washer, CD4E Forward & Direct Drum To Reverse Drum (Plastic)(4 Tab)(Heavy Duty)(A Direct Replacement For The 96231, That Breaks)	1	
96232	Bearing, CD4E Forward Sun Gear To Forward/Direct Drum	1	F3RZ-7H026A
96235	Bearing, CD4E Forward Planet To Sun Gear	1	F3RZ-7H027A
96238	Bearing, CD4E Forward Ring Gear To Forward Planet	1	F3RZ-7H028A
96241	Bearing, CD4E Reverse/Overdrive Shell To Forward Ring Gear	1	F3RZ-7G178A
96251	Bearing, CD4E Drive Sprocket To Reverse Planet	1	F3RZ-7F240A
S96251-1K	Shim Kit, CD4E (Under # 251 & # 281 Bearing) Sonnaz (Contains: 1-.008" & 1-.015" For #251 / 1-.005" & 1-.010" For #281 Bearing For Settin End Play)	1	
96262A	Shim, CD4E Driven Sprocket To Case (.048")	1	F3RZ-7H086F
96262B	Shim, CD4E Driven Sprocket To Case (.055")	1	F3RZ-7H086E
96262C	Shim, CD4E Driven Sprocket To Case (.062")	1	F3RZ-7H086D
96262D	Shim, CD4E Driven Sprocket To Case (.069")	1	F3RZ-7H086C
96262E	Shim, CD4E Driven Sprocket To Case (.076")	1	F3RZ-7H086B
96262G	Shim, CD4E Driven Sprocket To Case (.083")	1	F3RZ-7H086A
96263	Bearing, CD4E Driven Sprocket To Case	1	F3RZ-7G247-A
96264	Caged Roller Bearing, CD4E Case To Driven Sprocket Support (Presses Into Case)	1	F3RZ-7G355-A

PART #	WASHERS & BEARINGS (Continued)	QTY.	REFERENCE #
96279A	Washer, CD4E Drive Sprocket To Bell Housing (.056")	1	F3RZ-7G099A
96279B	Washer, CD4E Drive Sprocket To Bell Housing (.066")	1	F3RZ-7G099B
96279C	Washer, CD4E Drive Sprocket To Bell Housing (.076")	1	F3RZ-7G099C
96279D	Washer, CD4E Drive Sprocket To Bell Housing (.086")	1	F3RZ-7G099D
96281	Bearing, CD4E Differential To Driven Sprocket	1	F3RZ-7G233A
96292	Bearing, CD4E Differential To Bell Housing (2.295"OD)(1.425"ID)	1	F3RZ-4221A
96292C	Bearing, CD4E (AWD Only) Differential To Bell Housing (2.605"OD)(1.980"ID)	1	
96293A	Race, CD4E Differential To Bearing (.039") (2.815"OD)(1.435"ID)	1	F3RZ-4067-A
96293B	Race, CD4E Differential To Bearing (.050") (2.815"OD)(1.435"ID)	1	F3RZ-4067-B
96293C	Race, CD4E Differential To Bearing (.062") (2.815"OD)(1.435"ID)	1	F3RZ-4067-C
96293D	Race, CD4E Differential To Bearing (.074") (2.815"OD)(1.435"ID)	1	F3RZ-4067-D
96293E	Race, CD4E Differential To Bearing (.085") (2.815"OD)(1.435"ID)	1	F3RZ-4067-E
96293F	Race, CD4E (AWD Only) Differential To Bearing (.075") (2.625"OD)(1.985"ID)	1	
96298A	Bearing, CD4E Drive Sprocket (Front, Inner)	1	F3RZ-7H032A
96298B	Bearing, CD4E Drive Sprocket (Rear, Inner)	1	F3RZ-7H029A

PART #	GASKETS & RUBBER COMPONENTS	QTY.	REFERENCE #
96301	Gasket, CD4E Side Cover (Valve Body Cover) Cork	1	F3RZ-7F396A
96301BW	Gasket, CD4E Side Cover (Valve Body Cover) (Molded Rubber) 2003-Up	1	
96301F	Gasket, CD4E Side Cover (Valve Body Cover) Farpak	1	F3RZ-7F396A
96308	Gasket, CD4E Accumulator Body Cover	2	F3RZ-7F202A
96310	Gasket, CD4E Pump Seperator Plate 1994-96	1	F3RZ-7G331-A
96310A	Gasket, CD4E Pump Seperator Plate 1997-Up	1	F7RZ-7G331-AA
96311	Lathe Cut Seal, CD4E Pump Body	1	F3RZ-7A248-A
96318	Gasket, CD4E Case To Bell Housing	1	F3RZ-7B353-A
96320	Gasket, CD4E Valve Body Upper Seperator Plate (Takes 2)	2	F3RZ-7D100-A
96321	Gasket, CD4E Valve Body Lower Seperator Plate (Takes 2)	2	
96322	Gasket, CD4E Pressure Tap Plate	1	F3RZ-7H251-A
96328	Gasket, CD4E Electronic Control Body	1	F3RZ-7H200-A
96334	Lip Seal, CD4E Forward Clutch Piston (Inner)	1	F3RZ-7A548-C
96335	Lip Seal, CD4E Forward Clutch Piston (Outer)	1	F3RZ-7A548-A
96336	Lip Seal, CD4E Direct Clutch Piston (Inner)	1	F3RZ-7F225-A
96337	Lip Seal, CD4E Direct Clutch Piston (Outer)	1	F3RZ-7A548-B
96338	Seal, CD4E Low/Reverse Clutch (Inner)	1	F3RZ-7D404-A
96339	Seal, CD4E Low/Reverse Clutch (Outer)	1	F3RZ-7D403-A
96347	O-Ring, CD4E Case Connector	1	F3RZ-7B329-A
96354A	O-Ring, CD4E 2-4 Accumulator Cover	1	
S96354AK	O-Ring Kit, CD4E Accumulator Piston (25 Pieces)(Sonnax)(Fits S96935, S96945, S96950)	1	
96369	O-Ring, CD4E Vehicle Speed Sensor	1	N806913-S
96370	O-Ring, CD4E Turbine Speed Sensor	1	F1DZ-7Z101-A
96371	Seal, CD4E Filler Tube	1	E2FZ-7N243-A
96379	Seal, CD4E Filter	1	F3RP-7Z302-A
96383	Seal, CD4E Final Drive Lube Tube	1	F3RZ-7H205-A
96384	Seal, CD4E Filter To Valve Body (Exhaust Regulator)	1	F3RZ-7H249-A

PART #	TECHNICAL MANUALS	QTY.	REFERENCE #
96400	Technical Manual, CD4E (ATSG)	1	TMCD4E
A96400	Rebuild Manual, CD4E Rebuild Procedures (ATRA)	1	
A96400D	Diagnostic Manual, CD4E ("Are They Really That Tough") (ATRA)	1	

PART #	ELECTRICAL COMPONENTS	QTY.	REFERENCE #
96410	Switch, CD4E Manual Lever Position (7 Prong Connector) 1994-Up	1	F3RZ-7F293-A
96410A	Switch, CD4E Manual Lever Position (9 Prong Connector) 1994-Up	1	F8RZ-7F293-AA
96420	Solenoid Assembly, CD4E W/Black Connector 1994-95	1	F3RZ-7G391-A
96420A	Solenoid Assembly, CD4E 1994-Up	1	F6RZ-7G391-AA
96436	Sensor, CD4E Vehicle Speed Sensor (3 Prong, W/Wire Harness & Screws Onto The Speed-O Housing) 1994-Up (6-95-Up Contour 2.5L Only)	1	F5RZ-9E731-BB
96436A	Sensor, CD4E Vehicle Speed Sensor (2 Prong Connector Is Made Onto The Plastic Speed-O Housing, With 23 Teeth Driven Speed-O Gear) 1994-Up	1	F42Z-9E731-AA
96436AA	Sensor, CD4E Vehicle Speed Sensor (2 Prong Connector Is Made Onto The Aluminum Speed-O Housing, With 20 Teeth Driven Speed-O Gear) 1994-Up	1	
96436AB	Sensor, CD4E Vehicle Speed Sensor (3 Prong, With Wire Harness & Screws Onto The Speed-O Housing) (2.0L, 4 Cylinder)	1	F5RZ-9E731-CB
96436AC	Sensor, CD4E Vehicle Speed Sensor (3 Prong With Wire Harness & Screws Into The Speed-O Housing) 1994-Up	1	

96436B	Sensor, CD4E Vehicle Speed Sensor (2 Prong, No Wire Harness)(Fits In The Case By The Axle Seal) 1998-Up	1	F8RZ-7H103-AA
96438	Sensor, CD4E Turbine Speed Sensor (W/Green Connector) (Probe 1994-97) W/Enclosed Pick-Up	1	E7RZ-7M101-KA
96438A	Sensor, CD4E Turbine Speed Sensor (W/Black Connector) W/Enclosed Pick-Up	1	F7RZ-7M101-AA
96438B	Sensor, CD4E Turbine Speed Sensor (W/Black Connector) (1st Design) W/Exposed Pick-Up (Use D96438)	1	
96446A	Wire Harness, CD4E Internal (10 Prong Case Connector) With Plastic Solenoid Cover	1	
S96446A-4	Bracket, CD4E Wiring Harness Connector (Metal)(Sonnax)	1	

PART #	MISC. COMPONENTS	QTY.	REFERENCE #
96487	Grommet, CD4E Breather (On Oil Pan)	1	

PART #	HARD PARTS	QTY.	REFERENCE #
96500	Pump , CD4E 1994-96	1	
96500A	Pump, CD4E 1997-Up	1	F7RZ-7A103-AA
96510A	Pump Body W/Gears, CD4E (With Drive Gear Insert)	1	
96520	Stator, CD4E Pump Cover 1994-96	1	F3RZ-7A108-A
96520A	Stator, CD4E Pump Cover 1997-Up	1	
96529	Converter Reactor, CD4E (32 Spline)	1	
96543	Insert, CD4E Oil Pump Drive Gear	1	E1FZ-7F402-A
96544	Plate, CD4E Pump 1994-96	1	
96544A	Plate, CD4E Pump 1997-Up	1	F7RZ-7A142-AA
96554	Drum, CD4E Forward/Direct (Uses 3 Direct Steels .118" Thick) 1994-E98 (Forward Clutch Return Spring Has Multiple Springs)	1	F5RZ-7G120-A
96554A	Drum, CD4E Forward/Direct (Uses 4 Direct Steels .079" Thick) 1994-E98 (Forward Clutch Return Spring Has Multiple Springs)	1	F5RZ-7G120-BB
96554AK	Drum Kit, CD4E Forward/Direct (Uses 4 Direct Steels .079" Thick) 1994-E98 (Contains: From # 148 To # 554) (With Kit)(Will Retro Fit The 96554CA Drum L1998-Up)	1	
96554B	Drum, CD4E Forward/Direct (Uses 3 Direct Steels .079" Thick) 1994-E98 (Forward Clutch Return Spring Has Multiple Springs)	1	F7RZ-7G120-AC
96554C	Drum, CD4E Forward/Direct (Uses 3 Direct Steels .118" Thick) L1998-Up (Forward Clutch Return Spring Has 1 Large Coil Spring)	1	F8RZ-7G120-AA
96554CA	Drum, CD4E Forward/Direct (Uses 4 Direct Steels .079" Thick) L1998-Up (Forward Clutch Return Spring Has 1 Large Coil Spring)	1	F8RZ-7G120-BA
96556A	Drum, CD4E Reverse (2 Clutch)	1	F3RZ-7D044-AA
96556A-2	Sleeve, CD4E Reverse Drum (Sonnax) Drum Must Be Machined	1	
96564	Piston Kit, CD4E Forward/Coast Clutch 1994-97 (W/Multiple Springs)	1	
96564B	Piston Kit, CD4E Forward/Coast Clutch 1998-Up (W/Coil Spring) Cast # RFF8	1	
96565	Piston Kit, CD4E Direct Clutch	1	
96566	Piston Kit, CD4E Reverse Clutch	1	
96567	Piston Kit, CD4E Low/Reverse Clutch	1	
96576	Clutch Hub, CD4E Reverse Clutch	1	F3RZ-7D391-A
96579	Clutch Hub, CD4E Coast Clutch	1	
96582	Planet, CD4E Forward (Low/Intermediate) (3 Gear) (Can Use 96582B)	1	F8RZ-7A398-AA
96582B	Planet, CD4E Forward (Low/Intermediate) (4 Gear) (Can Use 96582)	1	
96584B	Planet, CD4E Reverse (3 Gear) W/Low Reverse Clutch Hub	1	F3RZ-7D006-A
96592	Ring Gear, CD4E Forward Planet (Low/Intermediate)	1	F3RZ-7A153-C
96598	Ring Gear, CD4E Differential Planet (74 Teeth)	1	F4RZ-7F343-A
96598B	Ring Gear, CD4E Differential Planet (86 Teeth)	1	F3RZ-7F343-A
96612	Sun Gear, CD4E Forward W/Inner Race (Use 96646)	1	
96622	Shell, CD4E W/Reverse Sun Gear 1994-Up (58 Teeth)	1	F3RZ-7A626-A
96624	Shell, CD4E Direct W/Hub	1	F4RZ-7D064-A

PART #	SPRAGS & ONE WAY CLUTCHES	QTY.	REFERENCE #
96642	Sprag Assembly, CD4E Low Sprag W/Outer & Inner Races	1	F3RZ-7A089-B
96642E	Mechanical Diode, CD4E Low With Outer & Inner Races	1	
96646	Sprag Assembly, CD4E Forward Sprag W/Sun Gear 1994-97 (.370" Wide Elements)	1	F3RZ-7A089-A
96646A	Sprag Assembly, CD4E Forward Sprag W/Sun Gear 1998-Up (.307" Wide Elements)	1	F8RZ-7A089-AA
96652	Sprag, CD4E Low Sprag W/Out Outer & Inner Races	1	
96656	Sprag, CD4E Forward (.370" Wide Elements) 1994-97 (Metal Cage Is .590" Wide)	1	
96656A	Sprag, CD4E Forward (.307" Wide Elements) 1998-Up (Metal Cage Is .540" Wide)	1	
96667	Outer Race, CD4E Forward Sprag 1994-97	1	
96667B	Outer Race, CD4E Forward Sprag 1999-Up	1	

PART #	HARD PARTS (Continued)	QTY.	REFERENCE #
96671	Shaft, CD4E Pump Drive (14 1/16" Long)	1	F4RZ-7B328-C
96671A	Shaft, CD4E Pump Drive (14 3/4" Long)	1	F4RZ-7B328-B
96673	Shaft, CD4E Turbine (8 1/8" Long)	1	F3RZ-7F213-A
96673A	Shaft, CD4E Turbine (8 7/8" Long)	1	F4RZ-7F213-A
96694	Plate, CD4E Sprag Thrust	1	F3RZ-7B066-B
96700D	Chain, CD4E (45 Links, 3/4" Wide)	1	F6RZ-7G249-AA
96700DA	Chain, CD4E (45 Links, 1" Wide)	1	F6RZ-7G249-BA
96700E	Chain, CD4E (46 Links, .3/4" Wide)	1	F6RZ-7G249-CA
96700EA	Chain, CD4E (46 Links, 1" Wide)	1	F6RZ-7H245-AA
96701	Cover, CD4E Chain (Rear)	1	
96702	Cover, CD4E Chain (Front) (3 1/16" Tall Between Clips)	1	
96702A	Cover, CD4E Chain (Front) (1 1/2" Tall Between Clips)	1	
96705	Sprocket, CD4E Drive (55 Teeth) (.604" Thick) Reverse Planet Ring Gear	1	
96705A	Sprocket, CD4E Drive (56 Teeth) (1.100" Thick) Reverse Planet Ring Gear	1	
96705B	Sprocket, CD4E Drive (55 Teeth) (.850" Thick) Reverse Planet Ring Gear	1	
96706	Sprocket, CD4E Driven (50 Teeth) (.644" Thick Teeth) With 1.970"OD (26 Teeth Sun Gear)	1	
96706A	Sprocket, CD4E Driven (54 Teeth) (.654" Thick Teeth) With 1.730"OD (26 Teeth Sun Gear)	1	
96706AA	Sprocket, CD4E Driven (50 Teeth) (.644" Thick Teeth) With 1.730"OD (26 Teeth Sun Gear)	1	
96706AB	Sprocket, CD4E Driven (54 Teeth) (.654" Thick Teeth) With 1.970"OD (26 Teeth Sun Gear)	1	
96706B	Sprocket, CD4E Driven (46 Teeth) (1.150" Thick Teeth) With 1.730"OD (26 Teeth Sun Gear)	1	
96706BA	Sprocket, CD4E Driven (54 Teeth) (.895" Thick Teeth) With 1.965"OD (26 Teeth Sun Gear)	1	
96706BB	Sprocket, CD4E Driven (50 Teeth) (.900" Thick Teeth) With 1.965"OD (26 Teeth Sun Gear)	1	
96706BC	Sprocket, CD4E Driven (50 Teeth) (1.140" Thick Teeth) With 26 Teeth Sun Gear	1	
96706BD	Sprocket, CD4E Driven (55 Teeth) (.900" Thick Teeth) With 1.730"OD (26 Teeth Sun Gear)	1	
96706BE	Sprocket, CD4E Driven (54 Teeth) (.900" Thick Teeth) With 1.730"OD (26 Teeth Sun Gear)	1	
96706C	Sprocket, CD4E Driven (54 Teeth) (.644" Thick Teeth) With 1.730"OD, 30 Teeth Sun Gear	1	
96715	Differential Assembly, CD4E (26 Teeth Sun Gear) (24 Teeth Pinion Gears)(Smooth On The Neck, 1.415"OD Where Bushing # 064 Rides)	1	
96715AA	Differential Assembly, CD4E (26 Teeth Sun Gear)(24 Teeth Pinion Gears)(Smooth On The Neck, 1.805"OD Where Bushing # 064 Rides)	1	
96715B	Differential Assembly, CD4E (26 Teeth Sun Gear) (30 Teeth Pinion Gears)(Smooth On The Neck, 1.415"OD Where Bushing #064 Rides)	1	
96715C	Differential Assembly, CD4E (26 Teeth Sun Gear) (24 Teeth Pinion Gears)(With External Splines On The Neck , On The Bell Housing Side)	1	
96715CA	Differential Assembly, CD4E (26 Teeth Sun Gear) (30 Teeth Pinion Gears) (With External Splines On The Neck, On The Bell Housing Side)	1	
96740	Valve Body, CD4E W/Solenoid Pack 1994-96	1	
96740A	Valve Body, CD4E W/Solenoid Pack (CAST # RFF7) 1997-Up	1	

PART #	VALVE BODY COMPONENTS	QTY.	REFERENCE #
S96741BAAK	Master Repair Kit, CD4E (Must Use T-73840-MTL Tool Also)	1	73840-MK
S96741BAK	By Pass Kit, CD4E (Must Use T-73840-MTL Tool Also)	1	73840-BK
S96741CAK	Regulator Kit, CD4E (Must Use T-73840-MTL Tool Also)	1	73840-RK
T-73840-MTL	Master Tool Kit, CD4E	1	
T-F-73840-TL	Reamer Kit, CD4E Pressure Regulator Valve (Reamer, Drill Jig & Guide Pin) (Sonnax) (Use With T-VB-FIX)	1	
T-73840-RM2	Reamer For Tool Kit T-73840-RTL	1	
T-73840-RTL	Tool Kit For S96741CAK	1	

PART #	HARD PARTS (Continued)	QTY.	REFERENCE #
96750	Bell Housing, CD4E (Starter At 11:00) Top Bolts 5 1/8"	1	
96750B	Bell Housing, CD4E (Starter At 11:00) Top Bolts 6 1/2"	1	
96750C	Bell Housing, CD4E (Starter At 11:00) Top Bolts 3 1/2"	1	
96750CA	Bell Housing, CD4E (Starter At 11:00) Top Bolts 3 1/2" AWD (Has 4 Raised Threaded Bosses By The Seal) (Cast # RFYL8P-7976-CA) Axle Seal Is 2.755"OD	1	
96750CB	Bell Housing, CD4E (Starter At 11:00) Top Bolts 3 1/2" 2WD (Has 4 Non-Threaded Bosses By The Seal (Cast # RFYL8P-7976-CA) No Speed-O Hole (Axle Seal Is 2.515"OD)	1	
96750D	Bell Housing, CD4E (Square Starter Hole At 2:00)(Top Bolts 5 3/8") AWD (Has 4 Raised Bosses By Axle Seal, 3 Are Threaded)(Cast # RF5L8P-7976-AA)(Axle Seal Is 2.515"OD)	1	
96750DA	Bell Housing, CD4E (Square Starter Hole At 2:00)(TopBolts 5 3/8") AWD (Has 4 Raised Bosses By Axle Seal, 3 Are Threaded) (Cast # RF5L8P-7976-AA) (Axle Seal Is 2.755"OD)	1	
96760	Case, CD4E (No Sensor) 1994-98	1	
96760AA	Case, CD4E (Uses A Vehicle Speed Sensor) 1998-Up	1	

PART #	CASE COMPONENTS	QTY.	REFERENCE #
96761C	Valve, CD4E Thermostatic Oil Level Control	1	
T-SERVO-FIX	Servo Pin Bore Reaming Fixture, CD4E (Sonnax)	1	
PART #	HARD PARTS (Continued)	QTY.	REFERENCE #
96766	Pan, CD4E Side (Vent Is Metal With Cap)	1	F4RZ-7G004-A
96766A	Pan, CD4E Side (Vent Is Just A Tube) With Raised Humps Around Each Bolt	1	F7RZ-7G004-AA
96766B	Pan, CD4E Side (Vent Is Just a Tube) Pan Is Flat Around The Bolt Holes For A Reusable Pan Gasket	1	
96779K	Bolt Set, CD4E Bottom Pan (14 Bolts)	1	
96847	Gear, CD4E Drive Speed-O (27 Teeth) On Differential	1	F3RZ-17285-A
96848	Gear, CD4E Driven Speed-O (23 Teeth) Slides Off Of Speed-O Housing	1	F5RZ-17271-D
96848A	Gear, CD4E Driven Speed-O (23 Teeth) Snap Ring Holds Gear To Housing)	1	
96853A	Waved Cushion, CD4E Forward Clutch 1998-Up	1	F8RZ-7E085-AA
96857	Cushion, CD4E Low/Reverse Clutch	1	F3RZ-7B070-A
66775A	Converter Nut, AXOD/AXODE/AX4S/AX4N Metric	1	
96876A	Snap Ring, CD4E Holds Forward Pressure Plate In (.054") 1994-97	1	F3DZ-7D483-E
96876B	Snap Ring, CD4E Holds Forward Pressure Plate In (.059") 1994-97	1	F3DZ-7D483-F
96876C	Snap Ring, CD4E Holds Forward Pressure Plate In (.064") 1994-97	1	F3DZ-7D483-G
96876D	Snap Ring, CD4E Holds Forward Pressure Plate In (.069") 1994-97	1	F3DZ-7D483-H
96876E	Snap Ring, CD4E Holds Forward Pressure Plate In (.056") 1998-Up	1	F8RZ-7D483-AA
96876EA	Snap Ring, CD4E Holds Forward Pressure Plate In (.065") 1998-Up	1	F8RZ-7D483-BA
96876EB	Snap Ring, CD4E Holds Forward Pressure Plate In (.070") 1998-Up	1	F8RZ-7D483-CA
96876EC	Snap Ring, CD4E Holds Forward Pressure Plate In (.077") 1998-Up	1	F8RZ-7D483-DA
96877	Snap Ring, CD4E Holds Forward Clutch Retainer In	1	F3RZ-7N169-A
96878A	Snap Ring, CD4E Holds Direct Clutch Pressure Plate In (.054")	1	F3RZ-7D483-E
96878B	Snap Ring, CD4E Holds Direct Clutch Pressure Plate In (.059")	1	F3RZ-7D483-F
96878C	Snap Ring, CD4E Holds Direct Clutch Pressure Plate In (.064")	1	F3RZ-7D483-G
96878D	Snap Ring, CD4E Holds Direct Clutch Pressure Plate In (.069")	1	F3RZ-7D483-H
96878E	Snap Ring, CD4E Holds Direct Clutch Pressure Plate In (.075")	1	
96879	Snap Ring, CD4E Holds Direct Clutch Retainer In	1	F3RZ-7C122-A
96881	Snap Ring, CD4E Holds Reverse Hub To Forward/Direct Drum (.033")	1	
96883	Snap Ring, CD4E Holds Low Sprag In Case	1	F3RZ-7D483-A
96885	Snap Ring, CD4E Holds Low/Reverse Clutch Retainer In	1	F3RZ-7D483-J
96887	Snap Ring, CD4E Holds Coast Clutch Hub To Sun Gear	1	F3RZ-7C122-B
96888	Snap Ring, CD4E Holds Retainer To Sun Gear	1	
96892A	Snap Ring, CD4E Holds Reverse Clutch Pressure Plate In (.059")	1	F3RZ-7D483-B
96892B	Snap Ring, CD4E Holds Reverse Clutch Pressure Plate In (.064")	1	F3RZ-7D483-C
96892C	Snap Ring, CD4E Holds Reverse Clutch Pressure Plate In (.070")	1	F3RZ-7D483-D
96893	Snap Ring, CD4E Holds Reverse Clutch Retainer In Drum	1	F3RZ-7H225-A
96896	Snap Ring, CD4E Holds Overdrive Servo Cover In	1	XS7Z-7H074-AA
96899	Snap Ring, CD4E Holds Differential Ring Gear In Bell Housing	1	F3RZ-7H106-A
96900	Servo Assembly, CD4E Overdrive (No Groove Pin) 1994-96	1	
96900A	Servo Assembly, CD4E Overdrive (1 Groove Pin) 1994-96	1	
96900B	Servo Assembly, CD4E Overdrive (2 Groove Pin) 1994-96	1	
96900C	Servo Assembly, CD4E Overdrive (1 Groove Pin) (Cast # F7RP) 1997-Up	1	
96901	Spring, CD4E Overdrive Servo	1	F3RZ-7H073-A
96902	Piston, CD4E Overdrive Servo (Bonded)	1	
96903K	Pin W/Piston & Spring, CD4E Overdrive Servo (No Groove) 1st Design 1994-Up	1	
96903AK	Pin W/Piston & Spring, CD4E Overdrive Servo (1 Groove) 1st Design 1994-Up	1	
96903BK	Pin W/Piston & Spring, CD4E Overdrive Servo (2 Groove) 1st Design 1994-Up	1	
96903CK	Pin W/Piston, CD4E Overdrive Servo (No Groove) 2nd Design (No Spring Type) 1997-Up	1	F4RZ-7H188-F
96903DK	Pin W/Piston, CD4E Overdrive Servo (1 Groove) 2nd Design (No Spring Type) 1997-Up	1	F4RZ-7H188-E
96903EK	Pin W/Piston, CD4E Overdrive Servo (2 Groove) 2nd Design (No Spring Type) 1997-Up	1	F4RZ-7H188-D
96904	Cover, CD4E Overdrive Servo (Bonded)	1	F4RZ-7D027-A
S96935	Piston Kit, CD4E 2-4 Accumulator(Contains; Piston W/O-Rings, & Springs) (Sonnax)	1	73840-24
S96945	Piston Kit, CD4E Low/Reverse Accumulator(Contains; Piston W/O-Rings, & Springs) (Sonnax)	1	73840-LR
S96950	Piston Kit, CD4E Forward Accumulator(Contains; Piston W/O-Rings, & Springs) (Sonnax)	1	73840-FWD
96960AK	Piston Kit, CD4E (Bonded) 1994-Up (Contains: 96966, 96969, 96904)(The 96969 Is .445" Thick At The Outer Lip)(This Must Be Measured)	1	
96960BK	Piston Kit, CD4E (Bonded) 1998-Up (Contains: 96966, 96969A, 96904)(The 96969A Is .470" Thick At Outer Lip)(This Must Be Measured)	1	
96964	Piston Kit, CD4E Forward Clutch 1994-97	1	F3RZ-7A262-B
96964B	Piston Kit, CD4E Forward Clutch (Cast # RFF8) 1998-Up	1	F8RZ-7A262-AB
96965	Piston, CD4E Direct Clutch (Lip Seal Type)	1	F3RZ-7A262-A
96966	Piston, CD4E Reverse Clutch (Bonded)	1	F3RZ-7E079-A
96967	Piston, CD4E Low/Reverse Clutch	1	F3RZ-7D402-A

FORD

PART #	HARD PARTS (Continued)	QTY.	REFERENCE #
96969	Piston, CD4E Coast Clutch (Bonded)(.445" Thick At Outer Lip) 1994-Up	1	F3RZ-7A266-C
96969A	Piston, CD4E Coast Clutch (Bonded)(.470" Thick At Outer Lip) 1998-Up	1	F8RZ-7A262-BA
96974	Retainer W/Spring, CD4E Forward/Coast Clutch (With Multiple Springs) 1994-97	1	F3RZ-7G299-A
96974B	Retainer W/Spring, CD4E Forward/Coast Clutch (With 1 Coil Spring) 1998-Up	1	F8RZ-7G299-AA
96975	Retainer W/Springs, CD4E Direct Clutch	1	F4RZ-7F235-A
96976	Retainer W/Springs, CD4E Reverse Clutch	1	F3RZ-7G335-A
96977	Retainer W/Springs, CD4E Low/Reverse Clutch	1	F3RZ-7H064-A
96980	End Cap, CD4E Forward Sprag (Thick)	1	
96981	End Cap, CD4E Forward Sprag (Thin)	1	
96982	Retainer, CD4E Forward Sprag	1	
96991	Linkage Assembly, CD4E Internal (Complete Linkage Assembly)	1	
96992	Linkage, CD4E External Shift Lever (2 9/16" Long)	1	
96992A	Linkage, CD4E External Shift Lever (3 5/16" Long)	1	F7RZ-7A256-AA
96996	Fittings, CD4E Cooler Line To Case (Screw In Type)	2	
96999-1	Oil Tube, CD4E	1	F3RZ-7H207-A



Technical Bulletin #617

- Transmission: CD4E
- Subject: Vehicle speed sensor
3-wire type
- Application: Ford Contour, Mystique

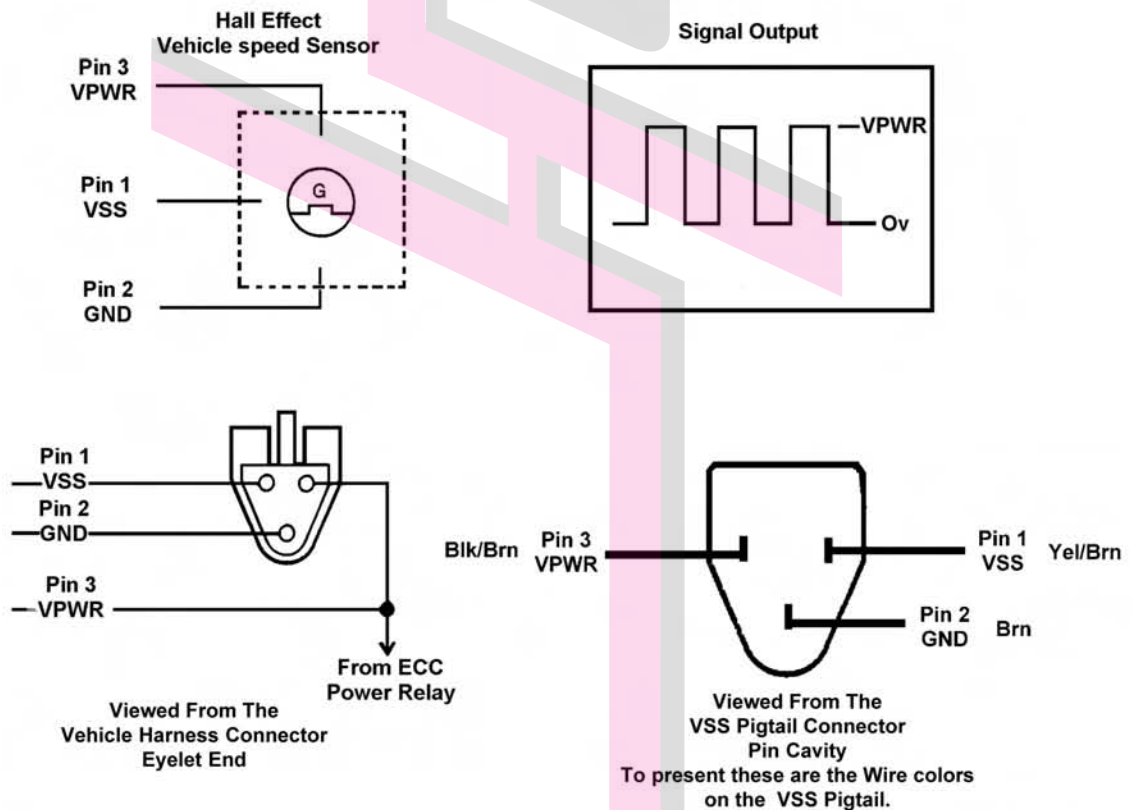
June 2001

CD4E

Vehicle Speed Sensor Identification - 3-Wire Type

1995 and newer Ford Contour and Mystique vehicles with CD4E transaxle use a 3-wire Hall Effect type speed sensor. This sensor receives power from the EEC Relay on Pin 3, Ground on Pin 2 and sends an on-off pulse signal out Pin 1 when it is turning. The wire colors on the VSS pigtail are different than those on the vehicle harness. If the wiring or connector are damaged it can be difficult to tell what the original wire locations were.

Use the following illustrations to identify the correct pin locations.



FORD