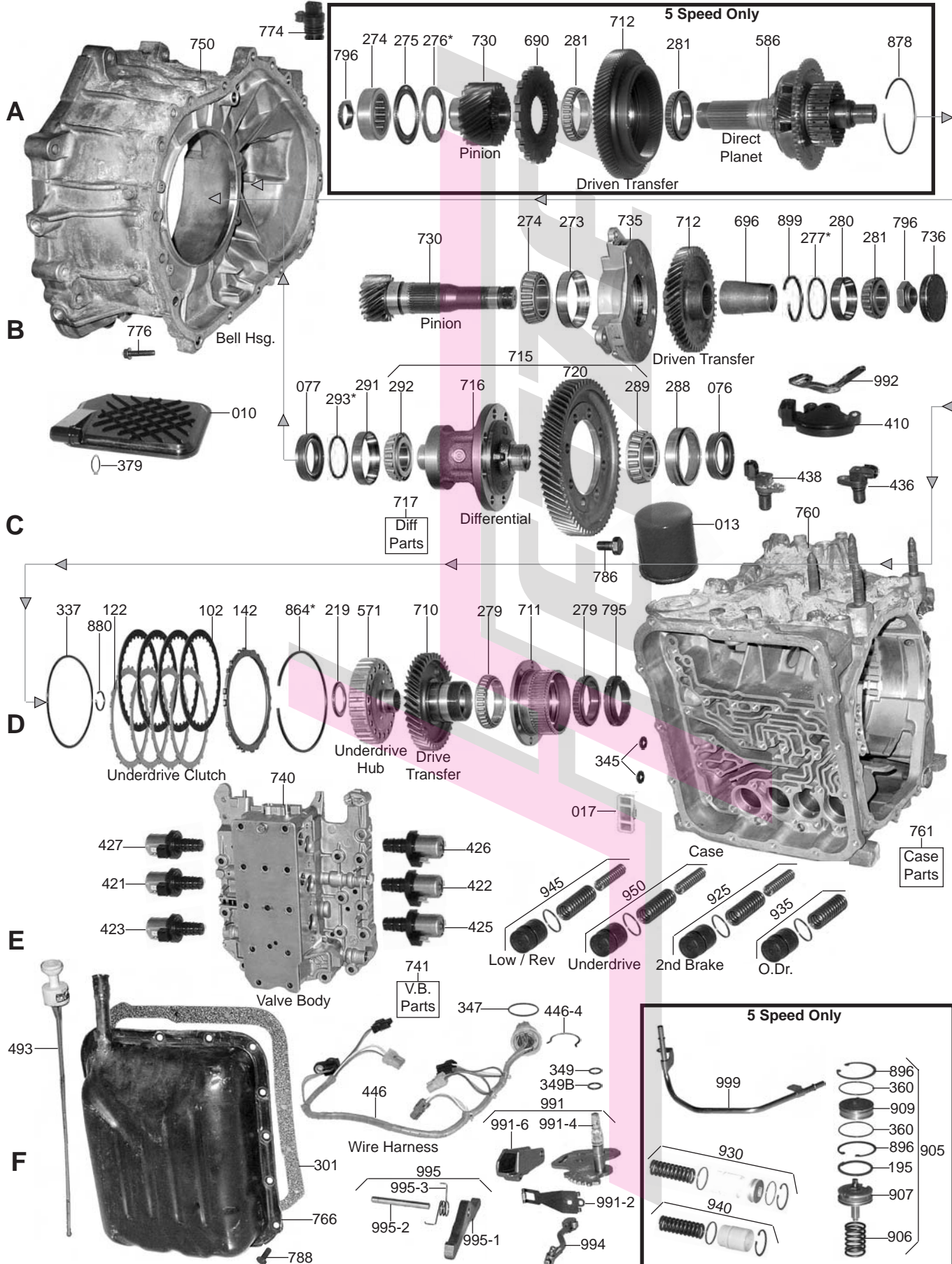


F4A41 F4A4B / F4A42 / W4A42 / F4A51 / W4A51 / W4A5A / F5A51

FWD 4 & 5 Speed

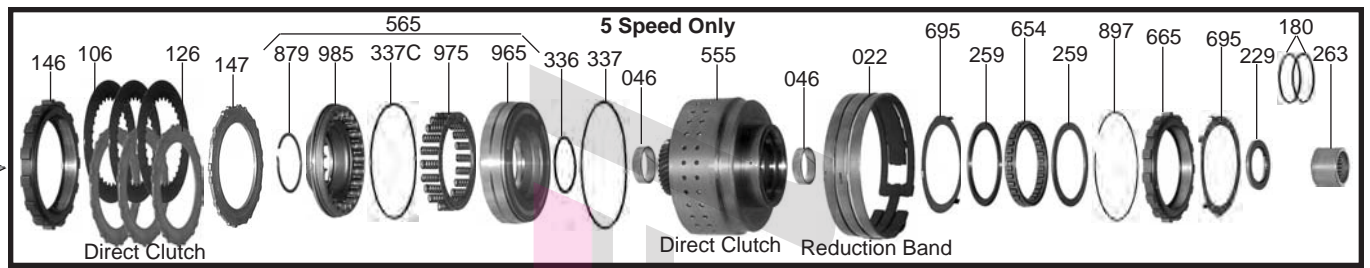
MITSUBISHI



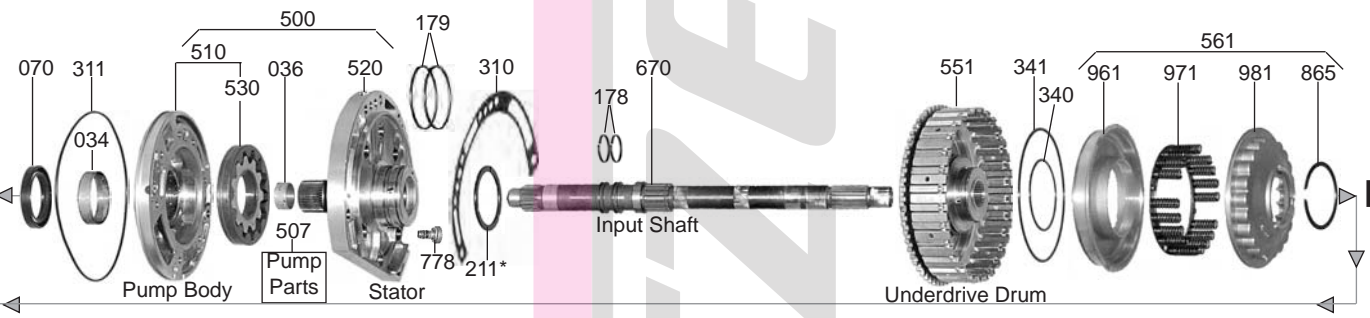
- 000 **P&R Kit**
- 002 **OHK Kit**
- 004 **Master L/Steels Kit**
- 006 **Master W/Steels Kit**
- 030 **Bushing Kit**
- 175 **Ring Kit**
- 400 **Technical Manuals**

F4A41 F4A4B / F4A42 / W4A42 / F4A51 / W4A51 / W4A5A / F5A51

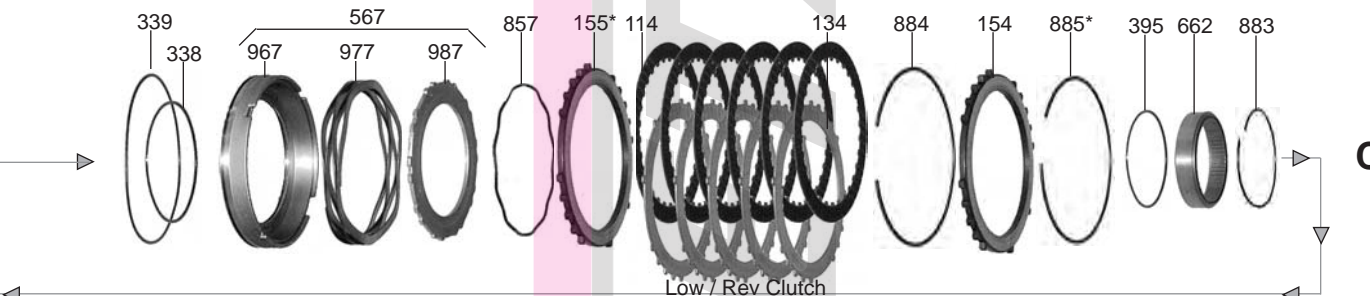
FWD 4 & 5 Speed



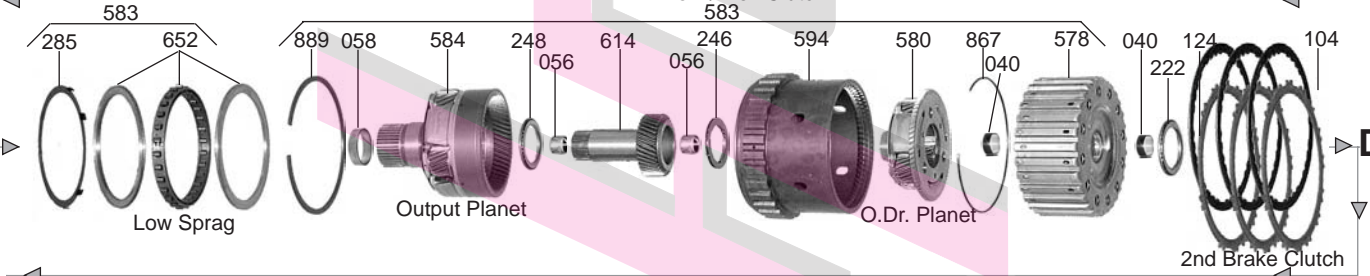
A



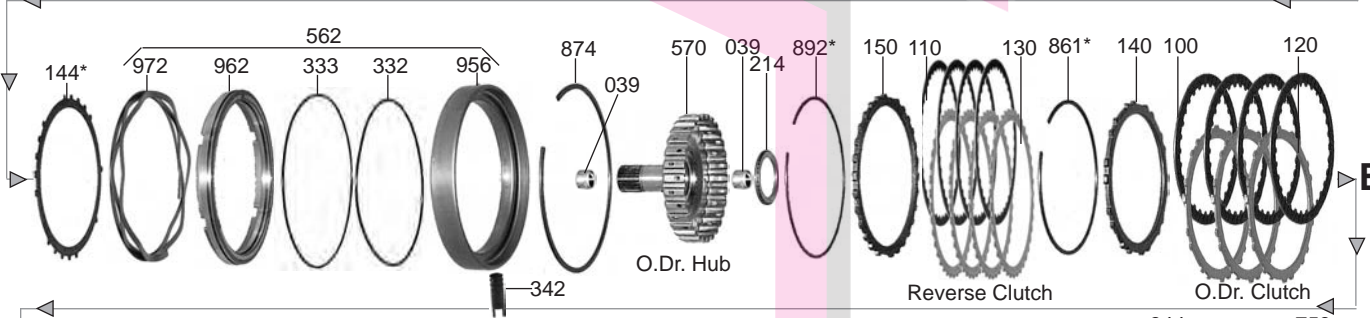
B



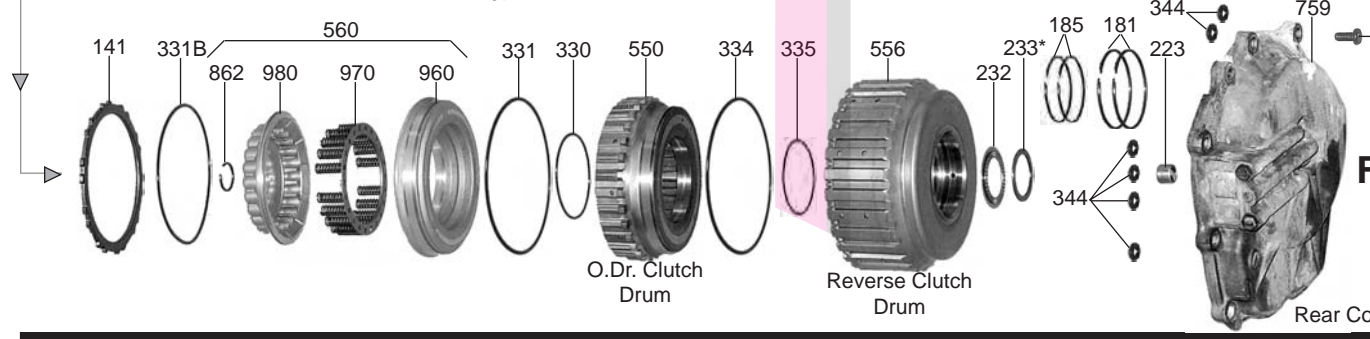
C



D



E



F

MITSUBISHI

F4A41 F4A4B / F4A42 / W4A42 / F4A51 / W4A51 / W4A5A / F5A51

FWD 4 & 5 Speed

MITSUBISHI

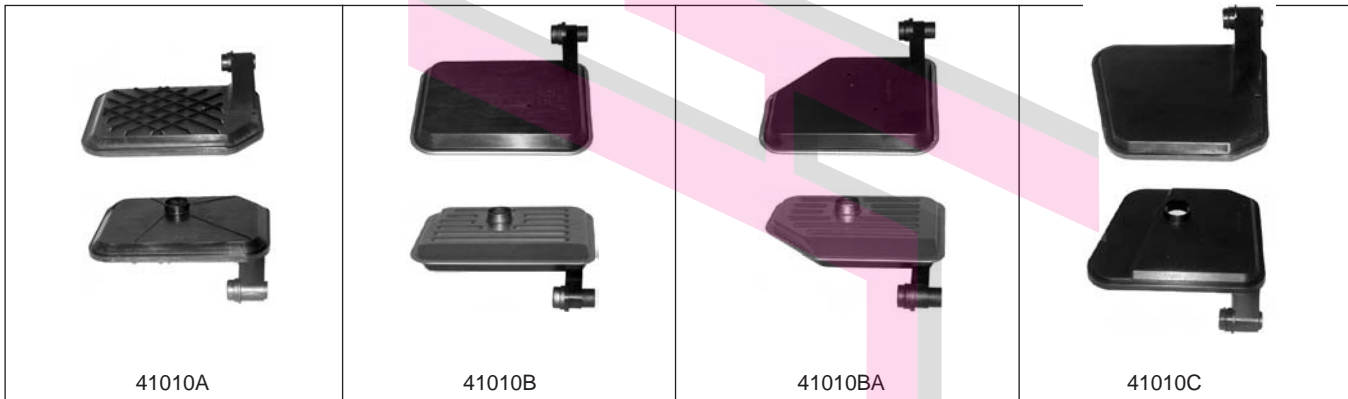
PART #	PAPER & RUBBER KIT	QTY	REFERENCE #
41000A	Paper & Rubber Kit, F4A41/F4A42 1996-Up	1	
41000B	Paper & Rubber Kit, F4A51 1996-Up	1	
41000C	Paper & Rubber Kit, F5A51 (5 Speed) 2001-Up	1	

PART #	OVERHAUL KIT	QTY	REFERENCE #
41002A	Overhaul Kit, F4A42/F4A42 1996-Up	1	
41002B	Overhaul Kit, F4A51/W4A51(W4A5A) 1996-Up	1	
41002C	Overhaul Kit, F5A51 (5 Speed) 2001-Up	1	
41002DF	Overhaul Kit, F5A42 1996-Up (With Duraprene)	1	

PART #	MASTER L/STEELS KIT	QTY	REFERENCE #
41004A	Master L/Steels Kit, F4A41/F4A42 1996-Up	1	
41004B	Master L/Steels Kit, F4A51/W4A51(W4A5A) 1996-Up	1	
41004C	Master L/Steels Kit, F5A51 (5 Speed FWD) 2001-Up (All Frictions Are Double Sided)	1	

PART #	MASTER W/STEELS KIT	QTY	REFERENCE #
41006A	Master W/Steels Kit, F4A41/F4A42 1996-Up	1	
41006B	Master W/Steels Kit, F4A51/W4A51(W4A5A) 1996-Up	1	
41006C	Master W/Steels Kit, F5A51 (5 Speed FWD) 2001-Up (All Frictions Are Double Sided)	1	

PART #	FILTERS	QTY	REFERENCE #
41010A	Filter, F4A41/F4A42/W4A42 (All Plastic) Rectangle With 1 Small Corner Cut Off (It's The One In Our Picture) 1996-Up	1	
41010B	Filter, F4A51/W4A51(W4A5A)/F5A51 (1/2 Metal & 1/2 Plastic) Rectangle 1996-Up	1	
41010BA	Filter, F4A51/W4A51(W4A5A)/F5A51 (1/2 Metal & 1/2 Plastic) Rectangle With 1 Large Corner Cut Off On The Same Ede Of The Tube 1996-Up	1	
4010C	Filter, F4A51/F4A5(W4A5A)/F5A51 (All Platic) Not Rectagle 1997-Up	1	
41013A	Filter, F4A41/F4A42/F5A51(Spin On) Some Early (996-Up)	1	



PART #	BANDS	QTY	REFERENCE #
41022C	Band, F5A51 Reduction Brake (1 1/2" Wide) 2001-Up (This Looks Like 84022 4T60E Forward Band But Smaller)	1	MD762016

PART #	BUSHINGS	QTY	REFERENCE #
41030A	Bushing Kit, F4A41/F4A42 1996-Up	1	
41030B	Bushing Kit, F4A51/W4A51(W4A5A) 1996-Up	1	
41034A	Bushing, F4A41/F4A42/F4A51/W4A42/W4A51(W4A5A)/F5A51 Pump Body 1996-Up	1	
41036A	Bushing, F4A41/F4A42/F4A51/W4A42/W4A51(W4A5A)/F5A51 Stator (Front) 1996-Up	1	
41039A	Bushing, F4A41/F4A42/W4A42 Overdrive Clutch Hub (.730"ID) 1996-Up	2	
41039B	Bushing, F4A51/W4A51(W4A5A)/F5A51 Overdrive Clutch Hub (.810"ID) 1996-Up	2	
41040A	Bushing, F4A41/F4A42/W4A42 2nd Brake Clutch Hub (.895"ID) 1996-Up	2	
41040B	Bushing, F4A51/W4A51(W4A5A)/F5A51 2nd Brake Clutch Hub (1.075"ID) 1996-Up	2	
41046C	Bushing, F5A51 Direct Clutch Drum (Front & Rear) (1.459"ID) 2001-Up	2	

F4A41 F4A4B / F4A42 / W4A42 / F4A51 / W4A51 / W4A5A / F5A51

FWD 4 & 5 Speed

41056A	Use 42056C	2
42056C	Bushing, F4A41/F4A42/W4A42 Output Sun Gear #056 (.732"ID) 1996-Up	2
41056B	Use 42056E	2
42056E	Bushing, F4A51/W4A51(W4A5A)/F5A51 Output Sun Gear #056 (.808"ID)(Babbit)	2
41058A	Bushing, F4A41/F4A42/W4A42 Output Planet 1996-Up	1
41058B	Bushing, F4A51/W4A51(W4A5A) Output Planet 1996-Up	1

PART #	METAL CLAD SEALS	QTY	REFERENCE #
42070A	Seal, F4A41/F4A42/F4A51/W4A42/W4A51(W4A5A)/F5A51 Front 1997-Up	1	4613136002
41076A	Seal, F4A41/F4A42/F4A51/F5A51 Axle (2.410"OD) Both Sides (All Except Santa Fe & Elantra 7/2000-06)(Sonata 6/2001-06)(Tiburon 10/2001-06) Also Fits W4A42 Case Side	1-2	4311939010
41076AB	Seal, F4A41/F4A42/F4A51/F5A51 Axle (Case Side)(2.415"OD)(Santa Fe & Elantra 7/2000-06) (Sonata 6/2001-06)(Tiburon 10/2001-06)(Also Fits W4A51(W4A5A) Axle (Case Side) 2001-Up	1	
41077A	Seal, F4A41/F4A42/F4A51/F5A51 Axle (Bell Housing Side) Use 41076A	1	
41077AA	Seal, W4A42/W4A51(W4A5A) Axle (3.495"OD) Bell Housing Side 1996-Up	1	
41077AB	Seal, F4A41/F4A42/F4A51/F5A51 Axle (Bell Housing Side)(Santa Fe & Elantra 7/2000-06) (Sonata 6/2001-06)(Tiburon 10/2001-06)	1	
41077D	Seal, W4A51(W4A5A) Axle (2.880"OD) (Bell Housing Side) 2001-Up	1	

PART #	FRICITION CLUTCH	QTY	REFERENCE #
41100A	Friction, F4A41/F4A42/W4A42 Overdrive Clutch (.067") 30 Teeth (5.35"OD) 1996-Up High Energy Eclipse (Also Fits F4A41/F4A42/W4A42 Underdrive Clutch)	3-8	
41100B	Friction, F4A51/W4A51(W4A5A)/F5A51 Overdrive Clutch (.067") 30 Teeth (5.82"OD) 1996-Up	4	
41102A	Use 41100A	3-4	
41102B	Friction, F4A51/W4A51(W4A5A)/F5A51 Underdrive Clutch (.067") 30 Teeth (5.82"OD) 1996-Up	4	
41104A	Friction, F4A41/F4A42/W4A42 2nd Brake Clutch (.067") 30 Teeth (6.18"OD) 1996-Up (High Energy Eclipse)(1/2" Wide Lining ID To OD)	3-4	
41104B	Friction, F4A51/W4A51(W4A5A)/F5A51 2nd Brake Clutch (.067") 30 Teeth (7.03"OD) 1996-Up (High Energy Eclipse)(1/2" Wide Lining ID To OD)	3-4	
41106C	Friction, F5A51 Direct Clutch (.072") 30 Teeth (4.802"OD) (Flat) 2001-Up (Hi-Energy Eclipse)	3	
41110A	Friction, F4A41/F4A42/W4A42 Reverse Clutch (.067") 30 Teeth (5.87"OD) 1996-Up	2	
41110B	Friction, F4A51/W4A51(W4A5A)/F5A51 Reverse Clutch (.067") 30 Teeth (6.53"OD) 1996-Up	2	
41114A	Friction, F4A41/F4A42/W4A42 Low/Reverse Clutch (.067") 30 Teeth (6.18"OD) 1996-Up (High Energy Eclipse)(1/4" Wide Lining ID To OD)	4-5	
41114B	Friction, F4A51/W4A51(W4A5A)/F5A51 Low/Reverse Clutch (.067") 30 Teeth (7.03"OD) 1996-Up (High Energy Eclipse)(1/4" Wide Lining ID To OD)	6	
41119A	Friction Module, F4A41/F4A42 1997-Up	1	
41119B	Friction Module, F4A51/W4A51(W4A5A) 1997-Up	1	

PART #	STEEL CLUTCH	QTY	REFERENCE #
41120A	Steel, F4A41/F4A42/W4A42 Overdrive Clutch (.099") 20 Teeth (4.660"ID) 1996-Up (Also Fits F4A41/F4A42/W4A42 Overdrive Clutch Apply Plate #141)	3-4	
41120B	Steel, F4A51/W4A51(W4A5A) Overdrive Clutch (.098") 20 Teeth (4.855"ID) 1996-Up	3	
41120C	Steel, F5A51 Overdrive Clutch (.120") 20 Teeth (4.855"ID) 2001-Up	3	
41122A	Steel, F4A41/F4A42/W4A42 Underdrive Clutch (.071") 20 Teeth (4.655"ID) 1996	3-4	
41122B	Steel, F4A51/W4A51(W4A5A)/F5A51 Underdrive Clutch (.071") 20 Teeth (4.850"ID) 1996-Up	4	
41124A	Steel, F4A41/F4A42/W4A42 2nd Brake Clutch (Front) .098" (17 Teeth) Stepped 1996-Up	1	
41124AA	Steel, F4A41/F4A42/W4A42 2nd Brake Clutch (.099") 17 Teeth 1996-Up	2-3	
41124AB	Steel, F4A41/F4A42/W4A42 2nd Brake Clutch (.077") 17 Teeth 1996-Up	2-3	
41124AC	Steel, F4A41/F4A42/W4A42 2nd Brake Clutch (.061") 17 Teeth 1996-Up	2-3	
41124B	Steel, F4A51/W4A51(W4A5A)/F5A51 2nd Brake Clutch (Front Only) .098" (16 Teeth) Stepped 1996-Up	1	
41124BA	Steel, F4A51/W4A51(W4A5A)/F5A51 2nd Brake Clutch (.077") 16 Teeth 1996-Up	2-3	
41124BB	Steel, F4A51/W4A51(W4A5A)/F5A51 2nd Brake Clutch (.086") 16 Teeth 1996-Up	2-3	
41124BC	Steel, F4A51/W4A51(W4A5A)/F5A51 2nd Brake Clutch (.099") 16 Teeth 1996-Up	2-3	
41124BD	Steel, F4A51/W4A51(W4A5A)/F5A51 2nd Brake Clutch (.118") 16 Teeth 1996-Up	2-3	
41126C	Steel, F5A51 Direct Clutch (.098") 20 Teeth (3.475"ID) 2001-Up	3	
41126CA	Steel, F5A51 Direct Clutch (.160") 20 Teeth (3.475"ID) 2001-Up	3	
41130A	Steel, F4A41/F4A42/W4A42 Reverse Clutch (.071") 20 Teeth (5.250"ID) 1996-Up	2	
41130B	Steel, F4A51/W4A51(W4A5A)/F5A51 Reverse Clutch (.071") 20 Teeth (6.040"ID) 1996-Up	2	
41134A	Steel, F4A41/F4A42/W4A42 Low/Reverse Clutch (.039") 17 Teeth 1996-Up	3-4	
41134B	Steel, F4A51/W4A51(W4A5A)/F5A51 Low/Reverse Clutch (.039") 16 Teeth 1996-Up	5	
41139A	Steel Module, F4A41/F4A42/W4A42 1999-Up	1	
41139B	Steel Module, F4A51/W4A51(W4A5A) 1996-Up	1	
41139C	Steel Module, F5A51 1999-Up	1	

F4A41 F4A4B / F4A42 / W4A42 / F4A51 / W4A51 / W4A5A / F5A51

FWD 4 & 5 Speed

MITSUBISHI

PART #	PRESSURE PLATES	QTY	REFERENCE #
41140A.....	Pressure Plate, F4A41/F4A42/W4A42 Overdrive Clutch (.158") 20 Teeth (4.650"ID) 1996-Up (Also Fits F4A42/F4A42/W4A42 Underdrive Clutch # 142)	1-2.....	
41140B.....	Pressure Plate, F4A51/W4A51(W4A5A)/F5A51 Overdrive Clutch (.159") 20 Teeth (4.855"ID) 1996-Up (Also Fits F4A51/W4A51(W4A5A)/F5A51 Overdrive Clutch Apply Plate # 141 And Underdrive Clutch Pressure Plate #142).....	1-3.....	
41140C.....	Pressure Plate, F4A51/W4A51(W4A5A)/F5A51 Overdrive Clutch (.236") 20 Teeth (4.855"ID) 1996-Up.....	1.....	
41141A.....	Use 41120A.....	1.....	
41141B.....	Use 41140B.....	1.....	
41142A.....	Use 41140A.....	1.....	
41142B.....	Use 41140B.....	1.....	
41144A.....	Use 41155.....	1.....	
41146CA.....	Pressure Plate, F5A51 Direct Clutch (Top) 20 Teeth (Selective) Stepped (3.475"ID) 2001-Up.....	1.....	
41147C.....	Apply Plate, F5A51 Direct Clutch (Bottom) .200" (20 Teeth) 3.475"ID (Stepped) 2001-Up.....	1.....	
41150A.....	Pressure Plate, F4A41/F4A42/W4A42 Reverse Clutch (.158") 28 Teeth (5.250"ID) 1996-Up.....	1.....	
41150B.....	Pressure Plate, F4A51/F5A51 Reverse Clutch (.158") 28 Teeth (6.035"ID) 1996-Up.....	1.....	
41154A.....	Pressure Plate, F4A41/F4A42/W4A42 Low/Reverse And 2nd Clutch (.236") 17 Teeth (5 1/8"ID) 1996-Up.....	1.....	
41154B.....	Pressure Plate, F4A51/F5A51 Low/Reverse And 2nd Clutch (.235") 20 Teeth (6" ID) 1996-Up (3 Teeth Are Wide).....	1.....	
41155AA.....	Apply Plate, F4A41/F4A42/W4A42 Low/Reverse Clutch (.063") 17 Teeth 1996-Up 5.127"ID (Also Fits F4A41/F4A42/W4A42 2nd Clutch #144).....	1-2.....	
41155AB.....	Apply Plate, F4A41/F4A42/W4A42 Low/Reverse Clutch (.071") 17 Teeth 1996-Up 5.127"ID (Also Fits F4A41/F4A42/W4A42 2nd Clutch #144).....	1-2.....	
41155AC.....	Apply Plate, F4A41/F4A42/W4A42 Low/Reverse Clutch (.079") 17 Teeth 1996-Up 5.127"ID (Also Fits F4A41/F4A42/W4A42 2nd Clutch #144).....	1-2.....	
41155AD.....	Apply Plate, F4A41/F4A42/W4A42 Low/Reverse Clutch (.087") 17 Teeth 1996-Up 5.127"ID (Also Fits F4A41/F4A42/W4A42 2nd Clutch #144).....	1-2.....	
41155AE.....	Apply Plate, F4A41/F4A42/W4A42 Low/Reverse Clutch (.094") 17 Teeth 1996-Up 5.127"ID (Also Fits F4A41/F4A42/W4A42 2nd Clutch #144).....	1-2.....	
41155AF.....	Apply Plate, F4A41/F4A42/W4A42 Low/Reverse Clutch (.102") 17 Teeth 1996-Up 5.127"ID (Also Fits F4A41/F4A42/W4A42 2nd Clutch #144).....	1-2.....	
41155AG.....	Apply Plate, F4A41/F4A42/W4A42 Low/Reverse Clutch (.110") 17 Teeth 1996-Up 5.127"ID (Also Fits F4A41/F4A42/W4A42 2nd Clutch #144).....	1-2.....	
41155AH.....	Apply Plate, F4A41/F4A42/W4A42 Low/Reverse Clutch (.118") 17 Teeth 1996-Up 5.127"ID (Also Fits F4A41/F4A42/W4A42 2nd Clutch #144).....	1-2.....	
41155BA.....	Apply Plate, F4A51/W4A51(W4A5A)/F5A51 Low/Reverse Clutch (.063") 16 Teeth (6"ID) 1996-Up (Also Fits F4A51/W4A51(W4A5A)/F5A51 2nd Clutch #144).....	1-2.....	
41155BB.....	Apply Plate, F4A51/W4A51(W4A5A)/F5A51 Low/Reverse Clutch (.071") 16 Teeth (6"ID) 1996-Up (Also Fits F4A51/W4A51(W4A5A)/F5A51 2nd Clutch #144).....	1-2.....	
41155BC.....	Apply Plate, F4A51/W4A51(W4A5A)/F5A51 Low/Reverse Clutch (.079") 16 Teeth (6"ID) 1996-Up (Also Fits F4A51/W4A51(W4A5A)/F5A51 2nd Clutch #144).....	1-2.....	
41155BD.....	Apply Plate, F4A51/W4A51(W4A5A)/F5A51 Low/Reverse Clutch (.087") 16 Teeth (6"ID) 1996-Up (Also Fits F4A51/W4A51(W4A5A)/F5A51 2nd Clutch #144).....	1-2.....	
41155BE.....	Apply Plate, F4A51/W4A51(W4A5A)/F5A51 Low/Reverse Clutch (.094") 16 Teeth (6"ID) 1996-Up (Also Fits F4A51/W4A51(W4A5A)/F5A51 2nd Clutch #144).....	1-2.....	
41155BF.....	Apply Plate, F4A51/W4A51(W4A5A)/F5A51 Low/Reverse Clutch (.102") 16 Teeth (6"ID) 1996-Up (Also Fits F4A51/W4A51(W4A5A)/F5A51 2nd Clutch #144).....	1-2.....	
41155BG.....	Apply Plate, F4A51/W4A51(W4A5A)/F5A51 Low/Reverse Clutch (.110") 16 Teeth (6"ID) 1996-Up (Also Fits F4A51/W4A51(W4A5A)/F5A51 2nd Clutch #144).....	1-2.....	
41155BH.....	Apply Plate, F4A51/W4A51(W4A5A)/F5A51 Low/Reverse Clutch (.118") 16 Teeth (6"ID) 1996-Up (Also Fits F4A51/W4A51(W4A5A)/F5A51 2nd Clutch #144).....	1-2.....	
41155BM.....	Apply Plate, F4A51/W4A51(W4A5A)/F5A51 Low/Reverse Clutch (.152") 16 Teeth (6"ID) 1996-Up (Also Fits F4A51/W4A51(W4A5A)/F5A51 2nd Clutch #144).....	1-2.....	

PART #	SEALING RINGS	QTY	REFERENCE #
41175A.....	Ring Kit, F4A41/F4A42/F4A51/W4A42/W4A51(W4A5A) 1996-Up.....	1.....	
41178AT.....	Ring, F4A41/F4A42/W4A51/W4A42/W4A51(W4A5A)/F5A51 Input Shaft (Teflon) 1996-Up.....	2.....	4543136001
41179AT.....	Ring, F4A41/F4A42/F4A51/W4A42/F5A51 Stator (Plastic) 1996-Up.....	2.....	4529439010
41179B.....	Ring, W4A51(W4A5A) Stator (.093"Thick)(Metal) 2001-Up.....	2.....	
41180CT.....	Ring, F5A51 Direct Clutch (.089" Thick) (Teflon) 2001-Up.....	2.....	
41181A.....	Ring, F4A41/F4A42/F4A51/W4A42/W4A51(W4A5A) Reverse Clutch (In Rear Cover) 2.762"OD (Metal) 1996-Up.....	2.....	
41181CT.....	Ring, F5A51 Reverse Clutch (In Rear Cover) 2.325"OD (Vespel) 2001-Up.....	2.....	
41185A.....	Ring, F4A41/F4A42/F4A51/W4A42/W4A51(W4A5A) Overdrive Clutch (In RearCover) 2.325"OD (Metal) 1996-Up.....	2.....	

F4A41 F4A4B / F4A42 / W4A42 / F4A51 / W4A51 / W4A5A / F5A51

FWD 4 & 5 Speed

41185CT Ring, F5A51 Overdrive Clutch (In Rear Cover) 2.325"OD (Vespe) 2001-Up 2
 41195CT Ring, F5A51 Reduction Brake Band Servo Piston (Teflon) 2001-Up 1

PART #	WASHERS & BEARINGS	QTY	REFERENCE #
41211AA	Washer, F4A41/F4A42/F4A51/W4A42/W4A51(W4A5A)/F5A51 Stator To Underdrive Drum (.071") (#18) (Plastic) 1996-Up	1	
41211AB	Washer, F4A41/F4A42/F4A51/W4A42/W4A51(W4A5A)/F5A51 Stator To Underdrive Drum (.079") (#20) (Plastic) 1996-Up	1	
41211AC	Washer, F4A41/F4A42/F4A51/W4A42/W4A51(W4A5A)/F5A51 Stator To Underdrive Drum (.087") (#22) (Plastic) 1996-Up	1	
41211AD	Washer, F4A41/F4A42/F4A51/W4A42/W4A51(W4A5A)/F5A51 Stator To Underdrive Drum (.094") (#24) (Plastic) 1996-Up	1	
41211AE	Washer, F4A41/F4A42/F4A51/W4A42/W4A51(W4A5A)/F5A51 Stator To Underdrive Drum (.102") (#26) (Plastic) 1996-Up	1	
41211AF	Washer, F4A41/F4A42/F4A51/W4A42/W4A51(W4A5A)/F5A51 Stator To Underdrive Drum (.110") (#28) (Plastic) 1996-Up	1	
41214A	Use 41222	1	
41219A	Bearing W/Races, F4A41/F4A42/F4A51/W4A42/W4A51(W4A5A)/F5A51 Underdrive Drum To Hub (.142" Thick) 1.925"OD(1.340"ID) 1996-Up	1	4579839060
41222A	Bearing W/Races, F4A41/F4A42/W4A42 2nd Brake Clutch Hub To Overdrive Clutch Hub (.142" Thick) 1.923"OD (1.344"ID) 1996-Up (Also Fits F4A41/F4A42/W4A42 Overdrive Hub To Reverse Drum # 214) 1996-Up	1-2	
41222B	Bearing W/Races, F4A51/W4A51(W4A5A)/F5A51 2nd Brake Clutch Hub To Overdrive Clutch Hub (.160" Thick) 2.236"OD (1.550"ID) 1996-Up (Also Fits F4A51/W4A51(W4A5A)/F5A51 Overdrive Hub To Reverse Drum # 214) 1996-Up	1-2	
41223A	Caged Needle Bearing, F4A41/F4A42/F4A51/W4A42/W4A51(W4A5A)/F5A51 Rear Cover To Input Shaft (Cast # GERMANY HK1616) 1996-Up	1-2	4529939500
41229C	Bearing W/Race, F5A51 Direct Drum To Case (.130" Thick) 2.278"OD (1.675"ID) 2001-Up	1	
41232A	Bearing W/Race, F4A41/F4A42/F4A51/W4A42/W4A51(W4A5A)/F5A51 Reverse Drum To Rear Cover (.110" Thick) 2.315"OD (1.460"ID) 1996-Up	1	
41233AA	Race, F4A41/F4A42/W4A42/W4A51(W4A5A)/F5A51 Reverse Drum (.063") 1996-Up	1	
41233AB	Race, F4A41/F4A42/W4A42/W4A51(W4A5A)/F5A51 Reverse Drum (.067") 1996-Up	1	
41233AC	Race, F4A41/F4A42/W4A42/W4A51(W4A5A)/F5A51 Reverse Drum (.071") 1996-Up	1	
41233AD	Race, F4A41/F4A42/W4A42/W4A51(W4A5A)/F5A51 Reverse Drum (.075") 1996-Up	1	
41233AE	Race, F4A41/F4A42/W4A42/W4A51(W4A5A)/F5A51 Reverse Drum (.079") 1996-Up	1	
41233AF	Race, F4A41/F4A42/W4A42/W4A51(W4A5A)/F5A51 Reverse Drum (.083") 1996-Up	1	
41233AG	Race, F4A41/F4A42/W4A42/W4A51(W4A5A)/F5A51 Reverse Drum (.087") 1996-Up	1	
41233AH	Race, F4A41/F4A42/W4A42/W4A51(W4A5A)/F5A51 Reverse Drum (.091") 1996-Up	1	
41233AJ	Race, F4A41/F4A42/W4A42/W4A51(W4A5A)/F5A51 Reverse Drum (.094") 1996-Up	1	
41233AK	Race, F4A41/F4A42/W4A42/W4A51(W4A5A)/F5A51 Reverse Drum (.098") 1996-Up	1	
41233AL	Race, F4A41/F4A42/W4A42/W4A51(W4A5A)/F5A51 Reverse Drum (.102") 1996-Up	1	
41246A	Bearing W/Race, F4A41/F4A42/W4A42 Output Sun Gear To Overdrive Planet (.130" Thick) 1.785"OD (1.230"ID) 1996-Up	1	
41246B	Bearing W/Race, F4A51/W4A51(W4A5A)/F5A51 Output Sun Gear To Overdrive Planet (.130" Thick) 2.115"OD (1.520"ID) 1996-Up	1	
41248A	Bearing W/Races, F4A41/F4A42/W4A42 Output Planet To Sun Gear (.141" Thick) 1.922"OD (1.345"ID) 1996-Up	1	
41248B	Bearing W/Races, F4A51/W4A51(W4A5A)/F5A51 Output Planet To Sun Gear (.161" Thick) 2.240"OD (1.520"ID) 1996-Up	1	
41263C	Caged Needle Bearing, F5A51 Direct Planet Shaft To Case (.985"ID) 2001-Up	1	
41273A	Cup Race, F4A41/F4A42/W4A42 Pinion (2.955"OD) (Cast # KOYO 32009J) 1996-Up	1	
41273B	Cup Race, F4A51/W4A51(W4A5A) Pinion (3.150"OD) (Cast # NSK HR32010XJ) 1996-Up	1	
41274A	Cone Bearing, F4A41/F4A42/W4A42 Pinion (23 Rollers) 1.770"ID (Cast # KOYO 32009JR) 1996-Up	1	
41274B	Cone Bearing, F4A51/W4A51(W4A5A) Pinion (23 Rollers) 1.990"ID (Cast #NSK 32010XJ) 1996-Up	1	
41274C	Roller Bearing, F5A51 Pinion (14 Rollers) 3.150"OD (Cast #SFK RNU208 ECP) 2001-Up	1	
41275C	Bearing, F5A51 Roller Bearing To Pinion (.098" Thick) 3.140"OD (2.370"ID) 2001-Up	1	
41276CA	Race, F5A51 Roller Bearing To Pinion (Selective) .097" Thick (3.147"OD) 2.365"ID 2001-Up	1	

MITSUBISHI

F4A41 F4A4B / F4A42 / W4A42 / F4A51 / W4A51 / W4A5A / F5A51

FWD 4 & 5 Speed

PART #	WASHERS & BEARINGS (Continued)	QTY	REFERENCE #
41277AA	Shim, F4A41/F4A42/W4A42/W4A51(W4A5A) Pinion (.0740") (2.160"OD) 1996-Up	1	
41277AB	Shim, F4A41/F4A42/W4A42/W4A51(W4A5A) Pinion (.0756") (2.160"OD) 1996-Up	1	
41277AC	Shim, F4A41/F4A42/W4A42/W4A51(W4A5A) Pinion (.0772") (2.160"OD) 1996-Up	1	
41277AD	Shim, F4A41/F4A42/W4A42/W4A51(W4A5A) Pinion (.0787") (2.160"OD) 1996-Up	1	
41277AE	Shim, F4A41/F4A42/W4A42/W4A51(W4A5A) Pinion (.0803") (2.160"OD) 1996-Up	1	
41277AF	Shim, F4A41/F4A42/W4A42/W4A51(W4A5A) Pinion (.0819") (2.160"OD) 1996-Up	1	
41277AG	Shim, F4A41/F4A42/W4A42/W4A51(W4A5A) Pinion (.0835") (2.160"OD) 1996-Up	1	
41277AH	Shim, F4A41/F4A42/W4A42/W4A51(W4A5A) Pinion (.0850") (2.160"OD) 1996-Up	1	
41277AJ	Shim, F4A41/F4A42/W4A42/W4A51(W4A5A) Pinion (.0866") (2.160"OD) 1996-Up	1	
41277AK	Shim, F4A41/F4A42/W4A42/W4A51(W4A5A) Pinion (.0882") (2.160"OD) 1996-Up	1	
41277AL	Shim, F4A41/F4A42/W4A42/W4A51(W4A5A) Pinion (.0898") (2.160"OD) 1996-Up	1	
41277AM	Shim, F4A41/F4A42/W4A42/W4A51(W4A5A) Pinion (.0913") (2.160"OD) 1996-Up	1	
41277AN	Shim, F4A41/F4A42/W4A42/W4A51(W4A5A) Pinion (.0929") (2.160"OD) 1996-Up	1	
41277AP	Shim, F4A41/F4A42/W4A42/W4A51(W4A5A) Pinion (.0945") (2.160"OD) 1996-Up	1	
41277AQ	Shim, F4A41/F4A42/W4A42/W4A51(W4A5A) Pinion (.0961") (2.160"OD) 1996-Up	1	
41277AR	Shim, F4A41/F4A42/W4A42/W4A51(W4A5A) Pinion (.0976") (2.160"OD) 1996-Up	1	
41277AS	Shim, F4A41/F4A42/W4A42/W4A51(W4A5A) Pinion (.0992") (2.160"OD) 1996-Up	1	
41277AT	Shim, F4A41/F4A42/W4A42/W4A51(W4A5A) Pinion (.1008") (2.160"OD) 1996-Up	1	
41277AU	Shim, F4A41/F4A42/W4A42/W4A51(W4A5A) Pinion (.1024") (2.160"OD) 1996-Up	1	
41277AV	Shim, F4A41/F4A42/W4A42/W4A51(W4A5A) Pinion (.1039") (2.160"OD) 1996-Up	1	
41277AW	Shim, F4A41/F4A42/W4A42/W4A51(W4A5A) Pinion (.1055") (2.160"OD) 1996-Up	1	
41277AX	Shim, F4A41/F4A42/W4A42/W4A51(W4A5A) Pinion (.1071") (2.160"OD) 1996-Up	1	
41277AY	Shim, F4A41/F4A42/W4A42/W4A51(W4A5A) Pinion (.1087") (2.160"OD) 1996-Up	1	
41279A	Cone Bearing, F4A41/F4A42/W4A42 Drive Transfer Gear (34 Rollers) 2.045"ID (Cast # KOYO DUF1069S) Both Sides 1996-Up	2	
41279B	Cone Bearing, F4A51/W4A51(W4A5A)/F5A51 Drive Transfer Gear (33 Rollers) 2.165"ID (Cast # KOYO DUF1068BS) Both Sides 1996-Up	2	
41280A	Cup Race, F4A41/F4A42/F4A51/W4A42/W4A51(W4A5A) Pinion (Rear) 2.165"OD (Cast # NSK HR 32006XJ) 1996-Up	1	
41281A	Cone Bearing, F4A41/F4A42/F4A51/W4A42/W4A51(W4A5A) Pinion (Rear) 19 Rollers (1.180"ID) (Cast # NSK HR 32006XJ) 1996-Up	1	
41281C	Cone Bearing, F5A51 Driven Transfer Gear (23 Rollers) Cast # TOYO 46T090903-2N (Takes 2) 2001-Up	2	
41285A	Washer/Retainer, F4A41/F4A42/W4A42 Holds Low Sprag To Ring Gear (.025" Thick) 6 Tab (4.495"OD) 1996-Up	1	
41285B	Washer/Retainer, F4A51/W4A51(W4A5A)/F5A51 Holds Low Sprag To Ring Gear (.025" Thick) 6 Tab (5.315"OD) 1996-Up	1	
41288AA	Use 41291AA	1	
41288AC	Use 41291AC	1	
41288C	Use 41291C	1	
41289A	Use 41292A	1	
41289AA	Use 41292AA	1	
41289AAA	Use 41292AAA	1	
41289AC	Use 41292AC	1	
41289C	Use 41292C	1	
41291AA	Cup Race, F4A41/F4A42/F4A51 Differential To Bell Housing (2.835"OD) 2.401"ID (Cast # KOREAN LM501310T9F2 or KOYO 57428-N) 1996-Up (Also Fits F4A41/F4A42/F4A51/W4A42 Differential To Case # 288)(Fits The Cone Bearing With 20 Rollers)	1-2	
41291AB	Cup Race, W4A42 Differential To Bell Housing (3.347"OD) 2.927"ID (Cast # JAPAN HR 32912J) 2001-Up	1	
41291AC	Cup Race, F4A41/F4A42 Differential To Bell Housing (Fits The Cone Bearing W/17 Rollers) (Also Fits F4A41/F4A42 Differential To Case #288)	1-2	
41291BC	Cup Race, W4A51(W4A5A) Differential To Bell Housing (3.545"OD)(3.156"ID) (Cast # Japan R65-11 NSK) 2001-Up	1	
41291C	Cup Race, F5A51 Differential To Bell Housing (2.910"OD) 2.517"ID 2001-Up (Also Fits F5A51 Differential To Case # 288)	1-2	
41291D	Cup Race, W4A51 (AWD) Differential To Bell Housing (3.440"OD) 2.945"ID (Cast # L5079109 Korea)	1	
41292A	Ball Bearing, F4A41/F4A42 Differential To Bell Housing (.715" Thick) 2.835"OD (1.375"ID) 9 Balls (Cast # KOYO 6207/1B) 1996-Up (Also Fits F4A41/F4A42 Differential To Case #289) ...	1-2	
41292AA	Cone Bearing, F4A41/F4A42/F4A51 Differential To Bell Housing (20 Rollers) 1.625"ID (Cast # KOYO LM501349-N) 1996-Up (Also Fits F4A41/F4A42/F4A52/W4A42 Differential To Case # 289)	1-2	
41292AAA	Cone Bearing, F4A41/F4A42 Differential To Bell Housing (17 Rollers) 1996-Up (Also Fits F4A41/F4A42 Differential To Case # 289)	1-2	
41292AB	Cone Bearing, W4A42 Differential To Bell Housing (36 Rollers) 1.355"ID (Case # KOYO HR 32912JA1) 2001-Up	1	

F4A41 F4A4B / F4A42 / W4A42 / F4A51 / W4A51 / W4A5A / F5A51

FWD 4 & 5 Speed

41292AC.....	Cone Bearing, F4A41/F4A42 Differential To Bell Housing (17 Rollers) (Also Fits F4A41/F4A42 Differential To Case #289).....	1-2.....
41292BC.....	Cone Bearing, W4A51(W4A5A) Differential To Bell Housing (34 Rollers)(2.565"ID) (Cast # Japan R65-11 NSK) 2001-Up.....	1.....
41292C.....	Cone Bearing, F5A51 Differential To Bell Housing (23 Rollers) 1.770"ID 2001-Up (Also Fits F5A51 Differential To Case # 289).....	1-2.....
41292D.....	Cone Bearing, W4A51 (AWD) Differential To Bell Housing (Cast # Korea I5079109).....	1.....
41293AA.....	Shim, F4A41/F4A42/F4A51 Differential To Bell Housing (.0280") 2.788"OD 1996-Up.....	1.....
41293AB.....	Shim, F4A41/F4A42/F4A51 Differential To Bell Housing (.0291") 2.788"OD 1996-Up.....	1.....
41293AC.....	Shim, F4A41/F4A42/F4A51 Differential To Bell Housing (.0303") 2.788"OD 1996-Up.....	1.....
41293AD.....	Shim, F4A41/F4A42/F4A51 Differential To Bell Housing (.0315") 2.788"OD 1996-Up.....	1.....
41293AE.....	Shim, F4A41/F4A42/F4A51 Differential To Bell Housing (.0327") 2.788"OD 1996-Up.....	1.....
41293AF.....	Shim, F4A41/F4A42/F4A51 Differential To Bell Housing (.0339") 2.788"OD 1996-Up.....	1.....
41293AG.....	Shim, F4A41/F4A42/F4A51 Differential To Bell Housing (.0350") 2.788"OD 1996-Up.....	1.....
41293AH.....	Shim, F4A41/F4A42/F4A51 Differential To Bell Housing (.0362") 2.788"OD 1996-Up.....	1.....
41293AJ.....	Shim, F4A41/F4A42/F4A51 Differential To Bell Housing (.0374") 2.788"OD 1996-Up.....	1.....
41293AK.....	Shim, F4A41/F4A42/F4A51 Differential To Bell Housing (.0386") 2.788"OD 1996-Up.....	1.....
41293AL.....	Shim, F4A41/F4A42/F4A51 Differential To Bell Housing (.0398") 2.788"OD 1996-Up.....	1.....
41293AM.....	Shim, F4A41/F4A42/F4A51 Differential To Bell Housing (.0409") 2.788"OD 1996-Up.....	1.....
41293AN.....	Shim, F4A41/F4A42/F4A51 Differential To Bell Housing (.0421") 2.788"OD 1996-Up.....	1.....
41293AP.....	Shim, F4A41/F4A42/F4A51 Differential To Bell Housing (.0433") 2.788"OD 1996-Up.....	1.....
41293AQ.....	Shim, F4A41/F4A42/F4A51 Differential To Bell Housing (.0445") 2.788"OD 1996-Up.....	1.....
41293AR.....	Shim, F4A41/F4A42/F4A51 Differential To Bell Housing (.0457") 2.788"OD 1996-Up.....	1.....
41293AS.....	Shim, F4A41/F4A42/F4A51 Differential To Bell Housing (.0469") 2.788"OD 1996-Up.....	1.....
41293AT.....	Shim, F4A41/F4A42/F4A51 Differential To Bell Housing (.0480") 2.788"OD 1996-Up.....	1.....
41293AU.....	Shim, F4A41/F4A42/F4A51 Differential To Bell Housing (.0492") 2.788"OD 1996-Up.....	1.....
41293AV.....	Shim, F4A41/F4A42/F4A51 Differential To Bell Housing (.0504") 2.788"OD 1996-Up.....	1.....
41293AW.....	Shim, F4A41/F4A42/F4A51 Differential To Bell Housing (.0516") 2.788"OD 1996-Up.....	1.....
41293AX.....	Shim, F4A41/F4A42/F4A51 Differential To Bell Housing (.0528") 2.788"OD 1996-Up.....	1.....
41293AY.....	Shim, F4A41/F4A42/F4A51 Differential To Bell Housing (.0539") 2.788"OD 1996-Up.....	1.....
41293BA.....	Shim, W4A42 Differential To Bell Housing (.0280") (3.318"OD) 2001-Up.....	1.....
41293BB.....	Shim, W4A42 Differential To Bell Housing (.0291") (3.318"OD) 2001-Up.....	1.....
41293BC.....	Shim, W4A42 Differential To Bell Housing (.0303") (3.318"OD) 2001-Up.....	1.....
41293BD.....	Shim, W4A42 Differential To Bell Housing (.0315") (3.318"OD) 2001-Up.....	1.....
41293BE.....	Shim, W4A42 Differential To Bell Housing (.0327") (3.318"OD) 2001-Up.....	1.....
41293BF.....	Shim, W4A42 Differential To Bell Housing (.0339") (3.318"OD) 2001-Up.....	1.....
41293BG.....	Shim, W4A42 Differential To Bell Housing (.0350") (3.318"OD) 2001-Up.....	1.....
41293BH.....	Shim, W4A42 Differential To Bell Housing (.0362") (3.318"OD) 2001-Up.....	1.....
41293BJ.....	Shim, W4A42 Differential To Bell Housing (.0374") (3.318"OD) 2001-Up.....	1.....
41293BK.....	Shim, W4A42 Differential To Bell Housing (.0386") (3.318"OD) 2001-Up.....	1.....
41293BL.....	Shim, W4A42 Differential To Bell Housing (.0398") (3.318"OD) 2001-Up.....	1.....
41293BM.....	Shim, W4A42 Differential To Bell Housing (.0409") (3.318"OD) 2001-Up.....	1.....
41293BN.....	Shim, W4A42 Differential To Bell Housing (.0421") (3.318"OD) 2001-Up.....	1.....
41293BP.....	Shim, W4A42 Differential To Bell Housing (.0433") (3.318"OD) 2001-Up.....	1.....
41293BQ.....	Shim, W4A42 Differential To Bell Housing (.0445") (3.318"OD) 2001-Up.....	1.....
41293BR.....	Shim, W4A42 Differential To Bell Housing (.0457") (3.318"OD) 2001-Up.....	1.....
41293BS.....	Shim, W4A42 Differential To Bell Housing (.0469") (3.318"OD) 2001-Up.....	1.....
41293BT.....	Shim, W4A42 Differential To Bell Housing (.0480") (3.318"OD) 2001-Up.....	1.....
41293BU.....	Shim, W4A42 Differential To Bell Housing (.0492") (3.318"OD) 2001-Up.....	1.....
41293BV.....	Shim, W4A42 Differential To Bell Housing (.0504") (3.318"OD) 2001-Up.....	1.....
41293BW.....	Shim, W4A42 Differential To Bell Housing (.0516") (3.318"OD) 2001-Up.....	1.....
41293BX.....	Shim, W4A42 Differential To Bell Housing (.0528") (3.318"OD) 2001-Up.....	1.....
41293BY.....	Shim, W4A42 Differential To Bell Housing (.0539") (3.318"OD) 2001-Up.....	1.....
41293CA.....	Shim, F5A51 Differential To Bell Housing (.0280") (2.910"OD) 2001-Up.....	1.....
41293CB.....	Shim, F5A51 Differential To Bell Housing (.0291") (2.910"OD) 2001-Up.....	1.....
41293CC.....	Shim, F5A51 Differential To Bell Housing (.0303") (2.910"OD) 2001-Up.....	1.....
41293CD.....	Shim, F5A51 Differential To Bell Housing (.0315") (2.910"OD) 2001-Up.....	1.....
41293CE.....	Shim, F5A51 Differential To Bell Housing (.0327") (2.910"OD) 2001-Up.....	1.....
41293CF.....	Shim, F5A51 Differential To Bell Housing (.0339") (2.910"OD) 2001-Up.....	1.....
41293CG.....	Shim, F5A51 Differential To Bell Housing (.0350") (2.910"OD) 2001-Up.....	1.....
41293CH.....	Shim, F5A51 Differential To Bell Housing (.0362") (2.910"OD) 2001-Up.....	1.....
41293CJ.....	Shim, F5A51 Differential To Bell Housing (.0374") (2.910"OD) 2001-Up.....	1.....
41293CK.....	Shim, F5A51 Differential To Bell Housing (.0386") (2.910"OD) 2001-Up.....	1.....
41293CL.....	Shim, F5A51 Differential To Bell Housing (.0398") (2.910"OD) 2001-Up.....	1.....
41293CM.....	Shim, F5A51 Differential To Bell Housing (.0409") (2.910"OD) 2001-Up.....	1.....
41293CN.....	Shim, F5A51 Differential To Bell Housing (.0421") (2.910"OD) 2001-Up.....	1.....
41293CP.....	Shim, F5A51 Differential To Bell Housing (.0433") (2.910"OD) 2001-Up.....	1.....
41293CQ.....	Shim, F5A51 Differential To Bell Housing (.0445") (2.910"OD) 2001-Up.....	1.....
41293CR.....	Shim, F5A51 Differential To Bell Housing (.0457") (2.910"OD) 2001-Up.....	1.....
41293CS.....	Shim, F5A51 Differential To Bell Housing (.0469") (2.910"OD) 2001-Up.....	1.....

MITSUBISHI

F4A41 F4A4B / F4A42 / W4A42 / F4A51 / W4A51 / W4A5A / F5A51

FWD 4 & 5 Speed

PART #	WASHERS & BEARINGS (Continued)	QTY	REFERENCE #
41293CT	Shim, F5A51 Differential To Bell Housing (.0480") (2.910"OD) 2001-Up	1	
41293CU	Shim, F5A51 Differential To Bell Housing (.0492") (2.910"OD) 2001-Up	1	
41293CV	Shim, F5A51 Differential To Bell Housing (.0504") (2.910"OD) 2001-Up	1	
41293CW	Shim, F5A51 Differential To Bell Housing (.0516") (2.910"OD) 2001-Up	1	
41293CX	Shim, F5A51 Differential To Bell Housing (.0528") (2.910"OD) 2001-Up	1	
41293CY	Shim, F5A51 Differential To Bell Housing (.0539") (2.910"OD) 2001-Up	1	
41293DA	Shim, W4A51 (AWD) Differential To Bell Housing (Selective) (3.415"OD) 2001-Up	1	

PART #	GASKETS & RUBBER COMPONENTS	QTY	REFERENCE #
41301A	Gasket, F4A41/F4A42/W4A42 Side Pan 1996-Up	1	
41301B	Gasket, F4A51/W4A51(W4A5A)/F5A51 Side Pan 1996-Up	1	
41310A	Gasket, F4A41/F4A42/W4A42 Pump To Case 1996-Up	1	4615639500
41310B	Gasket, F4A51/W4A51(W4A5A)/F5A51 Pump To Case 1996-Up	1	
41320A	Gasket, F4A41/F4A42/F4A51 Valve Body Plate To Case 1996-E98	1	
41320AA	Gasket, F4A41/F4A42/F4A52 Valve Body Plate To Case L1998-Up	1	
41311A	O-Ring, F4A41/F4A42/F4A51/W4A42/W4A51(W4A5A)/F5A51 Pump Body 1996-Up	1	4615839000
41342A	Seal Tube, F4A41/F4A42/W4A42 2nd Brake Clutch To Case (1.465" Long) 1996-Up	1	
41342B	Seal Tube, F4A51/W4A51(W4A5A)/F5A51 2nd Brake Clutch To Case (1.345" Long) 1996-Up	1	
41344A	O-Ring, F4A41/F4A42/F4A51/W4A42/W4A51(W4A5A)/F5A51 Rear Cover To Case (Small) (Takes 3-6) 1996-Up	3-6	4526236000
41345A	O-Ring, F4A41/F4A42/F4A51/W4A42/W4A51(W4A5A)/F5A51 Bell Housing To Case (Small) 1996-Up (Takes 2)	2	
41360C	O-Ring, F5A51 Servo Cover 2001-Up	1	

PART #	TECHNICAL MANUALS	QTY	REFERENCE #
41400B	Tech Manual, F4A41/F4A42/F4A51/W4A42/W4A51(W5A5A) (4 Speed FWD) 1999-Up	1	

PART #	ELECTRICAL COMPONENTS	QTY	REFERENCE #
T41410B	Switch, F4A41/F4A42/F4A51/W4A42/W4A51(W4A5A)/F5A51 Neutral Safety 1996-Up	1	
T41420K	Solenoid Master Kit, F4A41/F4A42/F4A51 (5 Solenoid With Wire Harness & TOT Sensor) 1996-04 (Teckpak)	1	
T41420AK	Solenoid Master Kit, F5A51 (6 Solenoid With Wire Harness) 2001-04 (Teckpak)	1	
T41420ACK	Solenoid Master Kit, F4A41/F4A42/F4A51/W4A42/W4A51(W4A5A) (6 Solenoid With Wire Harness) 2005-Up (Teckpak)	1	
T41420CAK	Solenoid Master Kit, F5A51/A5HF-1 (7 Solenoid With Wire Harness) 2005-Up (Teckpak)	1	
T41425A	Solenoid, F4A41/F4A42/F4A51/W4A51(W4A5A)/F5A51 (TCC/Overdrive/2nd/Underdrive/ Low/Reverse) 1996-Up	1	
T41435A	Solenoid, F4A41/F4A42/F4A51/W4A42/W4A51(W4A5A)/F5A51 (A5HF-1)(Force Motor) 2005-Up (Teckpak)	1	
41436A	Sensor, F4A41/F4A42/F4A51/W4A42/W4A51(W4A5A)/F5A51 Output Speed (Cast # G4T08371) 1996-Up (Use T41436B)	1	
T41436B	Sensor, F4A41/F4A42/F4A51/W4A42/W4A51(W4A5A)/F5A51 Output Speed (Cast # 42621-39052) (Teckpak) 1996-Up	1	
T41437A	Sensor, F4A41/F4A42/F4A51/W4A42/W4A51(W4A5A)/F5A51 Fluid Temperature 1996-Up (2 Prong) (1 Bolt, Plastic) (Teckpak)	1	
41438A	Sensor, F4A41/F4A42/F4A51/W4A42/F5A51 Input Speed (Cast # G4T08072) 1996-Up (Use T41438B)	1	
T41438B	Sensor, F4A41/F4A42/F4A51/W4A42/W4A51(W4A5A)/F5A51 Input Speed (Cast # 42620-39051) (Teckpak) 1996-Up	1	
41446A	Wire Harness, F4A41/F4A42 Internal (With 10 Prong Case Connector, 5 Three Prong Connectors And 1 Temperature Plug)	1	
T41446AA	Wire Harness, F4A41/F4A42/F4A51/W4A42/W4A51(W4A5A) Internal (With 10 Prong Case Connector, 3 Three Prong, 2 Two Prong And 1 Temperature Plug) (Teckpak) 1996-04	1	
T41446AB	Wire Harness, F4A51 (Hyundai) Internal 1999-04 (With 10 Prong Case Connector, 4 Three Prong, 2 Two Prong And 1 Temperature Plug) (Teckpak)	1	
T41446AC	Wire Harness, F4A41/F4A42/F4A51/W4A42/W4A51(W4A5A) Internal 2005-Up (Teckpak) (Also Sell T41437A)	1	
T41446CA	Wire Harness, F5A51/A5HF-1 Internal 2005-Up (Teckpak)	1	
41490BA	Vent, W4A51 (W4A5A) Case (Bonded Rubber) (1.585"OD) (With Tube)	1	

F4A41 F4A4B / F4A42 / W4A42 / F4A51 / W4A51 / W4A5A / F5A51

FWD 4 & 5 Speed

PART #	HARD PARTS	QTY	REFERENCE #
41500A	Pump, F4A41/F4A42 (Aluminum Stator Cast # F4A) Must Use Pump Alignment Tool T-41005-TL	1	
41500B	Pump, F4A51/W4A51(W4A5A) (Aluminum Stator Cast # 299) Must Use Pump Alignment Tool T-41005-TL	1	
41510A	Body W/Gears, F4A41/F4A42/F4A51/W4A42/W4A51(W4A5A)/F5A51 (Aluminum) Cast # 500282 or 46122-39000) 1996-Up (Must Use Tool # T-41005-TL)	1	
41520A	Stator, F4A41/F4A42 (Aluminum) Cast # F4A (5 11/16"OD) 1996-Up (Must Use Pump Alignment Tool # T-41005-TL)	1	
41520AA	Stator, F4A41/F4A42/W4A42 (Aluminum) Cast # 300 (5 11/16"OD) 1996-Up (Must Use Pump Alignment Tool T-41005-TL)	1	
41520B	Stator, F4A51/F5A51 (Aluminum) Cast # FA5 or 299 (6 7/16"OD) 1997-Up (Must Use Pump Alignment Tool #T-41005-TL)	1	
T-41005-TL	Pump Alignment Tool, F4A41/F4A42/F4A51/W4A42/W4A51(W4A5A)/F5A51 1996-Up(Sonnax)	1	

PART #	PUMP COMPONENTS	QTY	REFERENCE #
41530A	Pump Gear Set, F4A41/F4A42/W4A42/W4A51(W4A5A)/F5A51 (.472" Thick) 1996-Up	1	

PART #	HARD PARTS (Continued)	QTY	REFERENCE #
41550A	Drum, F4A41/F4A42/W4A42 Overdrive (3 Clutch) Cast # 500738) 1996-00 (Aluminum) Snap Ring Groove Is .345" From Edge Of Drum	1	4544139700
41550AA	Drum, F4A41/F4A42/W4A42 Overdrive (4 Clutch) (Cast # 500738) 2001-Up (Aluminum) Snap Ring Groove Is .180" From Edge Of Drum	1	4544139501
41550B	Drum, F4A51/W4A51(W4A5A)/F5A51 Overdrive (4 Clutch) (Cast # 500744) 1996-Up (Aluminum) Snap Ring Groove Is .225" From Edge Of Drum	1	
41551A	Drum, F4A41/F4A42 Underdrive Clutch (3 Clutch) With 60 Teeth Reluctor (6 1/16"OD Reluctor) 1996-Up	1	4551439501
41551AC	Drum, F4A41/F4A42/W4A42 Underdrive Clutch (4 Clutch) With 60 Teeth Reluctor (6 1/16"OD Reluctor) 1996-Up	1	4551439502
41551B	Drum, F4A51/W4A51(W4A5A)/F5A51 Underdrive Clutch (4 Clutch) With 60 Teeth Reluctor (6 5/8"OD Reluctor) 1996-Up	1	
41555C	Drum, F5A51 Direct Clutch (3 Clutch) With 32 Teeth Sun Gear (1 Groove) 2001-Up	1	
41556A	Drum, F4A41/F4A42/W4A42 Reverse Clutch (2 Clutch) 6 1/4"OD 1996-Up	1	4543539501
41556B	Drum, F4A51/W4A51(W4A5A)/F5A51 Reverse Clutch (2 Clutch) 7"OD 1996-Up	1	
41560A	Piston Kit, F4A51/F4A42/W4A42 Overdrive Clutch (Cast # 500747) 1996-Up	1	
41560B	Piston Kit, F4A51/W4A51(W4A5A)/F5A51 Overdrive Clutch (Cast # 500754) 1996-Up	1	
41561A	Piston Kit, F4A41/F4A42/W4A42 Underdrive Clutch (5.357"OD Aluminum Piston) 1996-Up	1	
41561B	Piston Kit, F4A51/W4A51(W4A51)/F5A51 Underdrive Clutch (5.672"OD Aluminum Piston) 1996-Up	1	
41562A	Piston Kit, F4A41/F4A42/W4A42 2nd Brake Clutch (.690" Thick, 6 5/8"OD Piston) 1996-Up	1	
41562B	Piston Kit, F4A51/W4A51(W4A5A)/F5A51 2nd Brake Clutch (.655" Thick, 7 1/2"OD Piston) 1996-Up	1	
41562BA	Piston Kit, F4A51/W4A51(W4A5A)/F5A51 2nd Brake Clutch (.735" Thick, 7 1/2"OD Piston) 1996-Up	1	
41565C	Piston Kit, F5A51 (Aluminum Piston Is 2.245"ID) (4 Pieces) 2001-Up	1	
41567A	Piston Kit, F4A41/F4A42/W4A42 Low/Reverse Clutch (Piston Is 6 3/16"OD) .925" Thick At Edge 1996-Up	1	
41567AA	Piston Kit, F4A41/F4A42/F4A51/W4A42/W4A51(W4A5A) Low/Reverse Clutch (Piston Is 6 3/16"OD) 1.015" Thick At Edge 1996-Up	1	
41567AB	Piston Kit, F4A41/F4A42/W4A42 Low/Reverse Clutch (Piston Is 6 3/16"OD) .845" Thick At Edge 1996-Up	1	
41567B	Piston Kit, F4A51/W4A51(W4A5A)/F5A51 Low/Reverse Clutch (Piston Is 7"OD) (.970" Thick At Edge) 1996-Up	1	
41567BA	Piston Kit, F4A51/W4A51(W4A5A)/F5A51 Low/Reverse Clutch (Piston Is 7"OD) (.850" Thick At Edge) 1996-Up	1	
41570A	Hub, F4A41/F4A42/W4A42 Overdrive Clutch (4.560"OD Hub) (.990"OD Shaft) 1996-Up	1	4546139500
41570B	Hub, F4A51/W4A51(W4A5A)/F5A51 Overdrive Clutch (4.760"OD Hub) (1.080"OD Shaft) 1996-Up	1	
41571A	Hub, F4A41/F4A42/W4A42 Underdrive Clutch (4.515"OD) 1996-Up	1	4554139500
41571B	Hub, F4A51/W4A51(W4A5A)/F5A51 Underdrive Clutch (4.715"OD) 1996-Up	1	
41578A	Hub W/Sun Gear, F4A41/F4A42/W4A42 2nd Brake Clutch (25 Teeth) (4.995"OD) 1996-Up	1	
41578B	Hub W/Sun Gear, F4A51/W4A51(W4A5A)/F5A51 2nd Brake Clutch (25 Teeth) (5.900"OD) 1996-Up	1	
41578BA	Hub W/SunGear, F4A51/W4A51(W4A5A)/F5A51 2nd Brake Clutch (31 Teeth)(5.900"OD) 1996-Up	1	

MITSUBISHI

F4A41 F4A4B / F4A42 / W4A42 / F4A51 / W4A51 / W4A5A / F5A51

FWD 4 & 5 Speed

MITSUBISHI

PART #	HARD PARTS (Continued)	QTY	REFERENCE #
41580A	Planet, F4A41/F4A42/W4A42 Overdrive (Rear) 3 Gear (18 Teeth Each Gear) 1996-Up	1	
41580B	Planet, F4A51/F4A51(W4A5A)/F5A51 Overdrive (Rear)(3 Gear)(21 Teeth Each Gear) 1996-Up	1	
41580BA	Planet, F4A51/W4A51(W4A5A)?F5A51 Overdrive (Rear)(3 Gear)(18 Teeth Each Gear) 1996-Up	1	
41583A	Planet Kit, F4A41 Non Sprag Type (Contains: 584A, 248A, 614A, 246A, 594A, 580A, 867A, 578A) #584A Has A 62 Teeth Ring Gear And No Bushing Inside	1	
41583AA	Planet Kit, F4A41/F4A42/W4A42 Sprag Type (Contains: 285A, 652A, 889A, 584A, 614A, 246A, 594AA, 580A, 867A, 578A) #584A Has A 62 Teeth Ring Gear And No Bushing Inside	1	
41583B	Planet Kit, F4A51/W4A51(W4A5A) Non Sprag Type (Contains: 584B, 248A, 614B, 246B, 594B, 580B, 867B,578B)	1	
41583BA	Planet Kit, F4A51/W4A51(W4A5A) Sprag Type (Contains: 285B, 652B, 889B, 584BA, 248B, 614B, 246B,594BA, 580B, 867B, 578B)	1	
41583BB	Planet Kit, F4A51/W4A51(W4A5A) Sprag Type (Contains: 285B, 652B, 889B, 584B, 248B, 614B, 246B,594BA, 580B, 867B, 578B)	1	
41583BE	Planet Kit, F4A51/W4A51(W4A5A) Non Sprag Type (Contains: 583B, 348A, 614B, 246B, 594B, 580BA, 867B, 578BA)	1	
41583BF	Planet Kit, F4A51/W4A51(W4A4A) Sprag Type (Contains: 285B, 652B, 889B,584BA, 248B, 614B, 246B, 594BA, 580BA, 867B, 578BA)	1	
41583BG	Planet Kit, F4A51/W4A51(W5A5A) Sprag Type (Contains: 285B, 652B, 889B, 584B, 248B, 614B, 246B, 594BA, 580BA, 867B, 578BA)	1	
41583C	Planet Kit, F5A51 Sprag Type (Contains: 285B, 652B, 889B, 584C, 248B, 614C, 246C, 594BA, 580B, 867B, 578B)	1	
41583CE	Planet Kit, F5A51 Sprag Type (Contains: 285B, 652B, 889B, 584C, 248B, 614C, 246B, 594BA, 580BA, 867B, 578BA)	1	
41584A	Planet, F4A41/F4A42/W4A42 Output (Front) 4 Gear (38 Teeth Sun Gear) 62 Teeth Ring Gear (38 Splines) No Bushing (4 1/2" Overall Height) 1996-Up	1	
41584B	Planet, F4A51/W4A51(W4A5A) Output (Front) 4 Gear (38 Teeth Sun Gear) 68 Teeth Ring Gear (34 Splines) No Bushing (5" Overall Height) 1996-Up	1	
41584BA	Planet, F4A51/W4A51(W4A5A) Output (Front) 4 Gear (38 Teeth Sun Gear) 68 Teeth Ring Gear (34 Splines) With Bushing (4 5/8" Overall Height) 1996-Up	1	
41584C	Planet, F5A51 Output (Front) 4 Gear (42 Teeth Sun Gear) 68 Teeth Ring Gear (34 Splines) No Bushing 2001-Up	1	
41586C	Planet, F5A51 Direct (3 Gear) 21 Teeth Pinions, No Groove) 9 5/8" Long Shaft (With 30 Teeth Clutch Hub) 2001-Up	1	
41594A	Ring Gear, F4A41 Output Planet (Non Sprag Type) 70 Teeth (2.980" Long) 1996-Up	1	
41594AA	Ring Gear, F4A41/F4A42/W4A42 Output Planet (Sprag Type) 70 Teeth (3.395" Long) 1996-Up	1	
41594B	Ring Gear, F4A51/W4A51(W4A5A) Output Planet (Non Sprag Type) 70 Teeth (3.215" Long) 1996-Up	1	
41594BA	Ring Gear, F4A51/W4A51(W4A5A)/F5A51 Output Planet (Sprag Type) 70 Teeth (3.660" Long) 1996-Up	1	
41614A	Sun Gear, F4A41/F4A42/W4A42 Output (38 Teeth) 3.550" Long (2.180"OD) 1996-Up	1	
41614B	Sun Gear, F4A51/W4A51(W4A5A) Output (38 Teeth) 3.840" Long (2.700"OD) 1996-Up	1	
41614C	Sun Gear, F5A51 Output (42 Teeth) 3.840" Long (2.910"OD) 2001-Up	1	

PART #	SPRAGS & ONE WAY CLUTCHES	QTY	REFERENCE #
41652A	Sprag W/End Caps, F4A41/F4A42/W4A42 Low (28 Lugs) .445" Thick (3.635"ID Of End Caps) 1996-Up	1	
41652AB	Sprag W/End Caps, F4A41/F4A42/W4A42 Low (28 Lugs)(.445" Thick)(3.539"ID Of End Caps) 1996-Up	1	
41652B	Sprag W/End Caps, F4A51/W4A51(W4A5A)/F5A51 Low (32 Lugs) .455" Thick 1996-Up	1	
41654C	Sprag W/End Caps, F5A51 Rear (32 Lugs) 2001-Up	1	
41662A	Inner Race, F4A41/F4A42/W4A42 Low Sprag (.770" Thick) 3.630"OD 1996-98 (Without O-Ring Groove)	1	
41662AA	Inner Race, F4A41/F4A42/W4A42 Low Sprag (.770" Thick) (3.630"OD) 1999-Up (With O-Ring Groove)	1	
41662AB	Inner Race, F4A41/F4A42/W4A42 Low Sprag (.770" Thick)(3.535"OD) 1999-Up (With O-Ring Groove)	1	
41662B	Inner Race, F4A51/W4A51(W4A5A)/F5A51 Low Sprag (.625" Thick) (4.375"OD) 1996-98 (Without O-Ring Groove)	1	
41662BA	Inner Race, F4A51/W4A51(W4A5A)/F5A51 Low Sprag (.625" Thick) (4.375"OD) 1999-Up (With O-Ring Groove)	1	
41665C	Outer Race, F5A51 Rear Sprag (15 Outer Lugs) 2001-Up	1	

F4A41 F4A4B / F4A42 / W4A42 / F4A51 / W4A51 / W4A5A / F5A51

FWD 4 & 5 Speed

PART #	HARD PARTS (Continued)	QTY	REFERENCE #
41670A	Shaft, F4A41/F4A42/W4A42 Input (13 15/16" Long) 1996-Up	1	
41670B	Shaft, F4A51/W4A51(W4A5A) Input (15 1/8" Long) With 3 Holes .115"ID (With 2 Holes .076"ID) 1996-Up (Can Use 41670C)	1	
41670C	Shaft, F5A51 Input (15 1/8" Long) With 4 Holes .115"ID (With 1 Hole .076"ID) 2001-Up	1	
41690C	Park Gear, F5A51 (18 Lugs) 27 Splines (.345" Thick) 2001-Up	1	
41695C	Retainer, F5A51 Rear Sprag (Both Sides) 6 Legs 2001-Up	1	
41696A	Cone Sleeve, F4A41/F4A42/W4A42 Pinion (2.625" Long) 1996-Up	1	
41696B	Cone Sleeve, F4A51/W4A51(W4A5A) Pinion (2.425" Long) 1996-Up	1	
41710A	Gear, F4A41/F4A42/W4A42 Drive Transfer (42 Teeth) (5.055"OD) 1996-Up	1	
41710AA	Gear, F4A41/F4A42/W4A42 Drive Transfer (49 Teeth)(5.713"OD) 1996-Up	1	
41710AB	Gear, F4A41/F4A42 Drive Transfer (67 Teeth) (4.920"OD) 1996-Up	1	
41710B	Gear, F4A51 Drive Transfer (70 Teeth) (5.595"OD) 1996-Up	1	
41710BC	Gear, W4A51(W4A5A) Drive Transfer (49 Teeth)(5.725"OD) 2001-Up	1	
41710C	Gear, F5A51 Drive Transfer (75 Teeth) (6.290"OD) 2001-Up	1	
41711A	Retainer, F4A41/F4A42/W4A42 Drive Transfer Gear (7 Bolt) (1.680" Thick) 1996-Up	1	
41711B	Retainer, F4A51 Drive Transfer Gear (4 Bolt) (1.065" Thick) 1996-Up	1	
41711BA	Retainer, F4A51/F5A51 Drive Transfer Gear (8 Bolt) (1.800" Thick) 1996-Up	1	
41712A	Gear, F4A41/F4A42/W4A42 Driven Transfer (47 Teeth, No Groove) 1996-Up	1	
41712AA	Gear, F4A41/F4A42/W4A42 Driven Transfer (75 Teeth, No Groove) 1996-Up	1	
41712AB	Gear, F4A41/F4A42/W4A42 Driven Transfer (75 Teeth, 1 Groove) 1996-Up	1	
41712B	Gear, F4A51 Driven Transfer (83 Teeth, No Groove) 1996-Up	1	
41712BC	Gear, W4A51(W4A5A) Driven Transfer (58 Teeth)(No Groove) 2001-Up	1	
41712C	Gear, F5A51 Driven Transfer (89 Teeth, No Groove) With Planet Ring Gear (With 2 Cup Races #280 And Snap Ring # 899) 2001-Up	1	
41712CJ	Gear, F5A51 Driven Transfer (108 Teeth, 1 Groove)(With Planet Ring Gear)(With 2 Cup Races #280 & Snap Ring # 899) 2001-Up	1	
41715A	Differential Assembly, F4A41/F4A42 (65 Teeth Ring Gear) Ball Bearings (36 Teeth Speed-O) (8 Bolt) 1996-Up	1	
41715AA	Differential Assembly, F4A41/F4A42 (65 Teeth Ring Gear, 1 Groove) 20 Tapered Roller Bearing (36 Teeth Speed-O Gear) 1.125"ID Axle Hub (8 Bolt) 1996-Up	1	
41715AAA	Differential Assembly, F4A41/F4A42 (65 Teeth Ring Gear, No Groove) 17 Roller Tapered Bearing (36 Teeth Speed-O Gear) 1.043" ID Axle Hub (8 Bolt) 1996-Up	1	
41715AAB	Differential Assembly, F4A41/F4A42 (63 Teeth Ring Gear, 3 Groove) Tapered Bearing (36 Teeth Speed-O Gear) (8 Bolt) 1996-Up	1	
41715AAC	Differential Assembly, F4A41/F4A42 (64 Teeth Ring Gear, 3 Groove) Tapered Bearing (36 Teeth Speed-O Gear) (8 Bolt) (1.043"ID Axle Hole) 1996-Up	1	
41715AACA	Differential Assembly, F4A41/F4A42 (64 Teeth Ring Gear, 3 Groove)(Tapered Bearing) (36 Teeth Speed-O Gear)(8 Bolt)(1.097"ID Axle Hole) 1996-Up	1	
41715AAD	Differential Assembly, F4A41/F4A42 (64 Teeth Ring Gear, 3 Groove) Tapered Bearing (36 Teeth Speed-O Gear) (8 Bolt) (1.250"ID Axle Hole) 1996-Up (The 3 Grooves Have 2 Grooves Side By Side & 1 Groove By Itself)	1	
41715AADA	Differential Assembly, F4A41/F4A42 (64 Teeth Ring Gear, 3 Groove) Tapered Bearing (36 Teeth Speed-O Gear)(8 Bolt)(1.113"ID Axle Hole) 1996-Up (The 3 Grooves Have 2 Grooves Side By Side & 1 Groove By Itself)	1	
41715AADB	Differential Assembly, F4A41/F4A42 (64 Teeth Ring Gear, 2 Groove)(Tapered Bearing) (36 Teeth Speed-O Gear)(8 Bolt)(1.109"ID Axle Hole) 1996-Up	1	
41715AAE	Differential Assembly, F4A41/F4A42 (64 Teeth Ring Gear, 1 Groove) 20 Roller Tapered Bearing (No Speed-O Gear)(8 Bolt) 1996-Up	1	
41715AB	Differential Assembly, W4A42 (62 Teeth Ring Gear, 2 Groove) Tapered Bearing (Plastic Speed-O Gear) (10 Bolt) 2001-Up	1	
41715AC	Differential Assembly, F4A41/F4A42 (62 Teeth Ring Gear, No Groove)(20 Roller Tapered Bearing)(36 Teeth Plastic Speed-O Gear)(8 Bolt) 1996-Up	1	
41715ACA	Differential Assembly, F4A41/F4A42 (62 Teeth Ring Gear, No Groove)(20 Roller Tapered Bearing)(36 Teeth Metal Speed-O Gear)(8 Bolt) 1996-Up	1	
41715AG	Differential Assembly, F4A41/F4A42 (69 Teeth Ring Gear, 1 Groove On Ring Gear Side) (Ball Bearing)(36 Teeth Speed-O Gear)(1.043"ID Axle Hub)(8 Bolt) 1996-Up	1	
41715AM	Differential Assembly, F4A41/F4A42 (74 Teeth Ring Gear, No Groove)(Ball Bearing) (36 Teeth Speed-O Gear)(1.043"ID Axle Hub)(8 Bolt) 1996-Up	1	
41715B	Differential Assembly, F4A51 (59 Teeth Ring Gear, No Groove) Tapered Bearing (36 Teeth Speed-O Gear) (8 Bolt) 1996-Up	1	
41715B-5	Shaft, W4A51(W4A5A) AWD (Splines Into The Differential, Drives The Transfer Case) (6 1/8" Long Hollow Shaft)(1.830"OD, 43 Splines On Each End) 2001-Up	1	
41715BA	Differential Assembly, F4A51 (59 Teeth Ring Gear, No Groove) Tapered Bearing (No Speed-O Gear) (8 Bolt) 1996-Up	1	
41715BB	Differential Assembly, F4A51 (63 Teeth Ring Gear, 1 Groove) 20 Roller Tapered Bearing (No Speed-O Gear)(8 Bolt) 1996-Up	1	
41715BC	Differential Assembly, F4A51 (63 Teeth Ring Gear, 1 Groove) 20 Roller Tapered Bearing (36 Teeth Speed-O Gear)(8 Bolt) 1996-Up	1	

MITSUBISHI

F4A41 F4A4B / F4A42 / W4A42 / F4A51 / W4A51 / W4A5A / F5A51

FWD 4 & 5 Speed

MITSUBISHI

PART #	HARD PARTS (Continued)	QTY	REFERENCE #
41715BD.....	Differential Assembly, F4A41/F4A42 (63 Teeth Ring Gear, 2 Groove) 17 Roller Tapered Bearing (36 Teeth Speed-O Gear) (8 Bolt) 1996-Up.....	1	
41715BE.....	Differential Assembly, F4A51 (63 Teeth Ring Gear, 2 Groove)(23 Roller Tapered Bearing) (No Speed-O Gear) (10 Bolt) 1996-Up	1	
41715C.....	Differential Assembly, F5A51 (59 Teeth Ring Gear, No Groove) Tapered Bearing (36 Teeth Speed-O Gear) (10 Bolt) 2001-Up	1	
41715D.....	Differential Assembly, W4A51 (AWD) (61 Teeth Ring Gear, 2 Groove) (29 Teeth Roller Tapered Bearing By Speed-O) (36 Teeth Speed-O Gear) (16 Bolt) 2001-Up	1	
41715DA.....	Differential Assembly, W4A51(W4A5A) (62 Teeth Ring Gear, No Groove)(34 Roller Cone Bearing By Speed-O)(36 Teeth Speed-O Gear)(10 Bolt) 2001-Up	1	
41715E.....	Differential Assembly, F4A41/F4A42 (56 Teeth Ring Gear, No Groove) 17 Roller Tapered Bearing (No Speed-O Gear) (1.043"ID Axle Hub) (8 Bolt) 1996-Up	1	
41716A.....	Differential Housing, F4A41/F4A42 (8 Bolt) Ball Bearings (36 Teeth Speed-O Gear) 1996-Up.....	1	
41716AA.....	Differential Housing, F4A42/F4A42/F4A51 (8 Bolt) 20 Roller Tapered Bearings (36 Teeth Speed-O Gear) 1.125"ID Axle Hub 1996-Up	1	
41716AAA.....	Differential Housing, F4A41/F4A42 (8 Bolt) 17 Roller Tapered Bearing (36 Teeth Speed-O Gear) 1.043"ID Axle Hub 1996-Up	1	
41716AB.....	Differential Housing, W4A42 (10 Bolt) Tapered Bearings (36 Teeth Plastic Speed-O Gear) 2001-Up	1	
41716C.....	Differential Housing, F5A51 (10 Bolt) Tapered Bearings (36 Teeth Speed-O Gear) 2001-Up	1	
41730A.....	Pinion, F4A41/F4A42 (18 Teeth, 1 Groove) 8 1/4" Long 1996-Up	1	
41730AA.....	Pinion, F4A41/F4A42 (19 Teeth, 1 Groove) 8 1/4" Long 1996-Up	1	
41730AB.....	Pinion, W4A42 (15 Teeth, 2 Groove) 8 1/4" Long 2001-Up	1	
41730BA.....	Pinion, F4A51 (21 Teeth, 1 Groove) 8 1/2" Long 1996-Up.....	1	
41730BC.....	Pinion, F4A51 (20 Teeth, 2 Groove) 8 1/2" Long 1996-Up.....	1	
41730C.....	Pinion, F5A51 (21 Teeth, No Groove) 3" Long 2001-Up	1	
41730D.....	Pinion, W4A51 (AWD) (21 Teeth, 2 Groove) (8 1/2" Long) 2001-Up	1	
41730DA.....	Pinion, W4A51(W4A5A)(17 Teeth, 1 Groove)(8 1/2" Long) 2001-Up	1	
41735A.....	Housing, F4A41/F4A42 Pinion (4 Bolt) Aluminum (9 Spokes) 1996-Up	1	
41735AB.....	Housing, W4A42 Pinion (4 Bolt) Aluminum (15 Spokes) 2001-Up.....	1	
41735B.....	Housing, F4A51/W4A51(W4A5A) (4 Bolt) Aluminum (10 Spokes) 1996-Up	1	
41736A.....	Cover, F4A41/F4A42/F4A51/W4A42/W4A51(W4A5A) Pinion Nut (Bonded) 2.255"OD 1996-Up..	1	
41740A.....	Valve Body, F4A41/F4A42/W4A42 (5 Solenoids With Plastic Snouts) 1996-10/2004	1	
41740AA.....	Valve Body, F4A41/F4A42/F4A51/W4A42/W4A51(W4A5A) (5 Solenoids With Metal Snouts) 1996-10/2004	1	
41740C.....	Valve Body, F5A51 (6 Solenoids) 2001-10/2004 (All 6 Solenoids Are The Same)	1	
41740CA.....	Valve Body, F5A51 (6 Solenoids) 11/2004-Up (5 Solenoids Are The Same, The EPC Solenoid Is Different).....	1	

PART #	VALVE BODY COMPONENTS	QTY	REFERENCE #
S41741CK.....	Valve & Sleeve Kit, F4A41/F4A42/F4A51/W4A42/F4A51 TCC Control (Sonnax) 1996-Up	1	
S41741DK.....	Valve & Sleeve Kit, F4A41/F4A42/F4A51/W4A42/F4A51 Overdrive Pressure Control & 2nd Pressure Control (Contains: 1 Valve & 1 Sleeve)(Sonnax).....	1	
S41741PA.....	Valve, F4A41/F4A42/F4A51/W4A42/F4A51 Pressure Regulator (Oversize) (Sonnax) (Must Use Tool # T-F-41954-TL)	1	
T-F-41954-TL.....	Reamer For S41741PA	1	
S41741UK.....	Valve & Sleeve Kit, F4A41/F4A42/F4A51/W4A42/F4A51 Underdrive Pressure Control And Low/Reverse Pressure Control (With Orifice)(Contains: 1 Valve & 1 Sleeve)(Sonnax)	1	

PART #	HARD PARTS (Continued)	QTY	REFERENCE #
41750A.....	Bell Housing, F4A41 (3 1/2" Top Bolts) Starter At 4:00 (Cast # F4A42 Below Speed-O) 1996-Up	1	
41750AC.....	Bell Housing, F4A42 (4 1/4" Top Bolts) Starter At 5:00 & 11:00 (Cast # MD756902 Below Speed-O) 1996-Up.....	1	
41750AE.....	Bell Housing, F4A41/F4A42 (4 1/4" Top Bolts) Starter At 1:00 (Cast # MD760815 Below Speed-O) 1996-Up.....	1	
41750AF.....	Bell Housing, W4A42 AWD (4 1/4" Top Bolts) Starter At 1:00 (Cast # MD762647 Below Speed-O) 1997-Up.....	1	
41750AL.....	Bell Housing, F4A41/F4A42 (5 1/8" Top Bolts) (Starter At 11:00) (Cast # F4A42 39600 On Bottom Of Bell).....	1	
41750B.....	Bell Housing, F4A51 (3 1/2" Top Bolts) Starter At 4:00 (Cast # MD759244 Below Speed-O) 1996-Up	1	
41750BA.....	Bell Housing, W4A51(AWD) (3 1/2" Top Bolts) (Starter At 4:00) (Cast # F5A51 Below Speed-O) (With 2.880"ID Axle Seal Hole) 2001-Up.....	1	
41750BB.....	Bell Housing, F4A51 (3 1/2" Top Bolts) (Starter At 4:00) (Cast # 500278 By The Seal)	1	

F4A41 F4A4B / F4A42 / W4A42 / F4A51 / W4A51 / W4A5A / F5A51

FWD 4 & 5 Speed

41750BC.....	Bell Housing, W4A51(W4A5A) (3 1/2" Top Bolts)(Starter At 4:00)(With 3.495"ID Axle Seal Hole) 2001-Up (6 Bolt Holes For Transfer Case).....	1
41750C.....	Bell Housing, F5A51 (3 1/2" Top Bolts) Starter At 4:00 (Cast # F5A51 Below Speed-O) 2001-Up	1
41759AC.....	Rear Cover, F4A41/F4A42/W4A42 (12 Bolt) Cast # F4A42 Or 39001 1996-Up.....	1
41759AD.....	Rear Cover, F4A41/F4A42/W4A42 (10 Bolt) Cast # F4A42 Or 500737 1996-Up.....	1
41759B.....	Rear Cover, F4A51/W4A51(W4A5A) (10 Bolt)(Cast # F4A41 Or 500766) 1996-Up	1
41759BB.....	Rear Cover, F4A51/W4A51(W4A5A) (12 Bolt)(Cast # 39303) 1996-Up.....	1
41759C.....	Rear Cover, F5A51 (14 Bolt)(Cast # F5A51 Or 39501) 2001-Up.....	1
41760A.....	Case, F4A41/F4A42 (10 Bolt Rear Cover) Spin On Filter 1996-Up.....	1
41760AA.....	Case, F4A41/F4A42 (10 Bolt Rear Cover) No Spin On Filter 1996-Up	1
41760AB.....	Case, F4A41/F4A42 (12 Bolt Rear Cover) No Spin On Filter 1996-Up	1
41760ABA.....	Case, F4A41/F4A42 (12 Bolt Rear Cover) (Spin On Filter) 1996-Up	1
41760AC.....	Case, W4A42 (10 Bolt Rear Cover) No Spin On Filter (Vented On Top) 2001-Up	1
41760B.....	Case, F4A51 (10 Bolt Rear Cover) Spin On Filter 1996-Up (Rear Drain Plug) Uses A 4 Bolt Retainer #711	1
41760BA.....	Case, F4A51 (10 Bolt Rear Cover) No Spin On Filter 1996-Up (Bottom Drain Plug) Uses a 8 Bolt Retainer #711 (With 2.400"ID Axle Seal Hole).....	1
41760BC.....	Case, W4A51(W4A5A) (10 Bolt Rear Cover)(Uses An 8 Bolt Retainer #711)(With 2.880"ID Axle Seal Hole) 2001-Up.....	1
41760C.....	Case, F5A51 (14 Bolt Rear Cover) 2001-UP	1
41766A.....	Pan, F4A41/F4A42 Side (1 7/8" Dipstick Tube) 1996-Up	1
41766AB.....	Pan, W4A42 Side (3 1/2" Dipstick Tube) 2001-Up.....	4528339500
41766B.....	Pan, F4A51/W4A51(W4A5A) Side (1" Tall Dipstick Tube) 1996-Up	1
41766BA.....	Pan, F4A51/W4A51(W4A5A) Side (3 1/2" Tall Dipstick Tube) 1996-Up	1
41766C.....	Pan, F5A51 Side (2 1/8" Tall Dipstick Tube) 2001-Up.....	1
41774.....	Speed-O Housing, F4A41/F4A42/F4A51/W4A42/W4A51(W4A5A)/F5A51 (25 Teeth Green Gear) 3 Prong Connector 1996-Up	1
41774-1.....	Speed-O Housing, F4A41/F4A42/F4A51/W4A42/W4A51(W4A5A)/F5A51 (26 Teeth Blue Gear) 3 Prong Connector 1996-Up	1
41774A.....	Speed-O Housing, F4A41/F4A42/F4A51/W4A42/F4A51(W4A5A)/F5A51 (27 Teeth Black Gear) 3 Prong Connector 1996-Up	1
41774AA.....	Speed-O Housing, F4A41/F4A42/F4A51/W4A42/W4A51(W4A5A)/F5A51 (28 Teeth Beige Gear) 3 Prong Connector 1996-Up	1
41774AB.....	Speed-O Housing, F4A41/F4A42/F5A51/W4A42/W4A51(W4A5A)/F5A51 (29 Teeth Gear) 3 Prong Connector 1996-Up	1
41774AC.....	Speed-O Housing, F4A41/F4A42/F5A51/W4A42/W4A51(W4A5A)/F5A51 (30 Teeth Red Gear) 3 Prong Connector 1996-Up	1
41774AD.....	Speed-O Housing, F4A41/F4A42/F4A51/W4A42/W4A51(W4A5A)/F5A51 (31Teeth Beige Gear) 3 Prong Connector 1996-Up	1
41774AE.....	Speed-O Housing, F4A41/F4A42/F4A51/W4A42/W4A51(W4A5A)/F5A51 (32 Teeth Gear) 3 Prong Connector 1996-Up	1
41776AK.....	Bolt Set, F4A41/F4A42/W4A42 Bell To Case (18 Pieces) 1996-Up	1
41776BK.....	Bolt Set, F4A51/W4A51(W4A5A)/F5A51 Bell To Case (20 Pieces) 1996-Up	1
41778AK.....	Bolt Set, F4A41/F4A42/F4A51/W4A42/W4A51(W4A5A)/F5A51 Stator To Body 1996-Up (7 Pieces).....	1
41780AK.....	Bolt Set, F4A41/F4A42/F4A51/W4A42/W4A51(W4A5A) Rear Cover (10 Bolt Type) 1996-Up	1
41780BK.....	Bolt Set, F4A41/F4A42/W4A42 Rear Cover (12 Bolt Type) 1996-Up	1
41780CK.....	Bolt Set, F5A51 Rear Cover (14 Bolt Type) 2001-Up	1
41782AK.....	Bolt Set, F4A41/F4A42/F4A51/W4A42/W4A51(W4A5A)/F5A51 Valve Body To Case (26 Pieces) 1996-Up	1
41786ABK.....	Bolt Set, W4A42 Ring Gear To Differential Housing 2001-Up (10 Pieces)	1
41786AK.....	Bolt Set, F4A41/F4A42/F4A51/W4A51(W4A5A)/F5A51 Ring Gear To Differential Housing 1996-Up (8 Pieces)	1
41787AK.....	Bolt Set, F4A41/F4A42/W4A42 Pinion Housing (4 Pieces) 1996-Up	1
41787BK.....	Bolt Set, F4A51/W4A51(W4A5A) Pinion Housing (4 Pieces) 1996-Up	1
41788AK.....	Bolt Set, F4A41/F4A42/F4A51/W4A42/W4A51(W4A5A)/F5A51 Side Pan (15 Pieces) 1996-Up ..	1
41795A.....	Nut, F4A41/F4A42/W4A42 Drive Transfer Gear (4 Notches) (2.640"OD) 1996-Up.....	1
41795B.....	Nut, F4A51/W4A51(W4A5A) Drive Transfer Gear (6 Point Hex Head) (2.755"OD) 1996-Up.....	1
41795BA.....	Nut, F4A51/W4A51(W4A5A)/F5A51 Drive Transfer Gear (4 Notches) (2.755"OD) 1996-Up.....	1
41796A.....	Nut, F4A41/F4A42/F4A51/W4A42/W4A51(W4A5A) Pinion (1.120"ID) (40mm) 1996-Up	1
41796C.....	Nut, F5A51 Pinion (1.360"ID) (50mm) 2001-Up.....	1
41847AB.....	Gear, W4A42 Speed-O Drive (36 Teeth Plastic) On Differential Side 2001-Up	1
41857A.....	Wavy Ring, F4A41/F4A42/W4A42 Low/Reverse Clutch (This Is A Spiral Type) (5.765"OD) 1996-Up (Use The Solid Ring # 41857AA)	1
41857AA.....	Wavy Ring, F4A41/F4A42/W4A42 Low/Reverse Clutch (This Is The Solid Ring) (5.820"OD) 1996-Up	1
41857B.....	Wavy Ring, F4A51/W4A51(W4A5A)/F5A51 Low/Reverse Clutch (This Is A Spiral Type) (6 13/16"OD)(Use The Solid Ring # 41857BA)	1

F4A41 F4A4B / F4A42 / W4A42 / F4A51 / W4A51 / W4A5A / F5A51

FWD 4 & 5 Speed

MITSUBISHI

PART #	HARD PARTS (Continued)	QTY	REFERENCE #
41857BA.....	Wavy Ring, F4A51/W4A51(W4A5A)/F5A51 Low/Reverse Clutch (This Is The Solid Ring) (6 13/16"OD) 1996-Up	1	
41861AA.....	Snap Ring, F4A41/F4A42/W4A42 Holds Overdrive Pressure Plate In (.063") 1996-Up (Also Fits F4A41/F4A42/W4A42 Underdrive Clutch # 864)	1-2	
41861AB.....	Snap Ring, F4A41/F4A42/W4A42 Holds Overdrive Pressure Plate In (.067") 1996-Up (Also Fits F4A41/F4A42/W4A42 Underdrive Clutch # 864)	1-2	
41861AC.....	Snap Ring, F4A41/F4A42/W4A42 Holds Overdrive Pressure Plate In (.071") 1996-Up (Also Fits F4A41/F4A42/W4A42 Underdrive Clutch # 864)	1-2	
41861AD.....	Snap Ring, F4A41/F4A42/W4A42 Holds Overdrive Pressure Plate In (.075") 1996-Up (Also Fits F4A41/F4A42/W4A42 Underdrive Clutch # 864)	1-2	
41861AE.....	Snap Ring, F4A41/F4A42/W4A42 Holds Overdrive Pressure Plate In (.079") 1996-Up (Also Fits F4A41/F4A42/W4A42 Underdrive Clutch # 864)	1-2	
41861AF.....	Snap Ring, F4A41/F4A42/W4A42 Holds Overdrive Pressure Plate In (.085") 1996-Up (Also Fits F4A41/F4A42/W4A42 Underdrive Clutch # 864)	1-2	
41861AG.....	Snap Ring, F4A41/F4A42/W4A42 Holds Overdrive Pressure Plate In (.087") 1996-Up (Also Fits F4A41/F4A42/W4A42 Underdrive Clutch # 864)	1-2	
41861AH.....	Snap Ring, F4A41/F4A42/W4A42 Holds Overdrive Pressure Plate In (.091") 1996-Up (Also Fits F4A41/F4A42/W4A42 Underdrive Clutch # 864)	1-2	
41861AJ.....	Snap Ring, F4A41/F4A42/W4A42 Holds Overdrive Pressure Plate In (.094") 1996-Up (Also Fits F4A41/F4A42/W4A42 Underdrive Clutch # 864)	1-2	
41861AK.....	Snap Ring, F4A41/F4A42/W4A42 Holds Overdrive Pressure Plate In (.098") 1996-Up (Also Fits F4A41/F4A42/W4A42 Underdrive Clutch # 864)	1-2	
41861AL.....	Snap Ring, F4A41/F4A42/W4A42 Holds Overdrive Pressure Plate In (.102") 1996-Up (Also Fits F4A41/F4A42/W4A42 Underdrive Clutch # 864)	1-2	
41861AM.....	Snap Ring, F4A41/F4A42/W4A42 Holds Overdrive Pressure Plate In (.106") 1996-Up (Also Fits F4A41/F4A42/W4A42 Underdrive Clutch # 864)	1-2	
41861AN.....	Snap Ring, F4A41/F4A42/W4A42 Holds Overdrive Pressure Plate In (.110") 1996-Up (Also Fits F4A41/F4A42/W4A42 Underdrive Clutch # 864)	1-2	
41861AP.....	Snap Ring, F4A41/F4A42/W4A42 Holds Overdrive Pressure Plate In (.114") 1996-Up (Also Fits F4A41/F4A42/W4A42 Underdrive Clutch # 864)	1-2	
41861AQ.....	Snap Ring, F4A41/F4A42/W4A42 Holds Overdrive Pressure Plate In (.118") 1996-Up (Also Fits F4A41/F4A42/W4A42 Underdrive Clutch # 864)	1-2	
41861BA.....	Snap Ring, F4A51/W4A51(W4A5A)/F5A51 Holds Overdrive Pressure Plate In (.063") 1996-Up (Also Fits F4A41/W4A51(W4A5A)/F5A51 Underdrive Clutch # 864)	1-2	
41861BB.....	Snap Ring, F4A51/W4A51(W4A5A)/F5A51 Holds Overdrive Pressure Plate In (.067") 1996-Up (Also Fits F4A41/W4A51(W4A5A)/F5A51 Underdrive Clutch # 864)	1-2	
41861BC.....	Snap Ring, F4A51/W4A51(W4A5A)/F5A51 Holds Overdrive Pressure Plate In (.071") 1996-Up (Also Fits F4A41/W4A51(W4A5A)/F5A51 Underdrive Clutch # 864)	1-2	
41861BD.....	Snap Ring, F4A51/W4A51(W4A5A)/F5A51 Holds Overdrive Pressure Plate In (.075") 1996-Up (Also Fits F4A41/W4A51(W4A5A)/F5A51 Underdrive Clutch # 864)	1-2	
41861BE.....	Snap Ring, F4A51/W4A51(W4A5A)/F5A51 Holds Overdrive Pressure Plate In (.079") 1996-Up (Also Fits F4A41/W4A51(W4A5A)/F5A51 Underdrive Clutch # 864)	1-2	
41861BF.....	Snap Ring, F4A51/W4A51(W4A5A)/F5A51 Holds Overdrive Pressure Plate In (.083") 1996-Up (Also Fits F4A41/W4A51(W4A5A)/F5A51 Underdrive Clutch # 864)	1-2	
41861BG.....	Snap Ring, F4A51/W4A51(W4A5A)/F5A51 Holds Overdrive Pressure Plate In (.087") 1996-Up (Also Fits F4A41/W4A51(W4A5A)/F5A51 Underdrive Clutch # 864)	1-2	
41861BH.....	Snap Ring, F4A51/W4A51(W4A5A)/F5A51 Holds Overdrive Pressure Plate In (.091") 1996-Up (Also Fits F4A41/W4A51(W4A5A)/F5A51 Underdrive Clutch # 864)	1-2	
41861BJ.....	Snap Ring, F4A51/W4A51(W4A5A)/F5A51 Holds Overdrive Pressure Plate In (.094") 1996-Up (Also Fits F4A41/W4A51(W4A5A)/F5A51 Underdrive Clutch # 864)	1-2	
41861BK.....	Snap Ring, F4A51/W4A51(W4A5A)/F5A51 Holds Overdrive Pressure Plate In (.098") 1996-Up (Also Fits F4A41/W4A51(W4A5A)/F5A51 Underdrive Clutch # 864)	1-2	
41861BL.....	Snap Ring, F4A51/W4A51(W4A5A)/F5A51 Holds Overdrive Pressure Plate In (.102") 1996-Up (Also Fits F4A41/W4A51(W4A5A)/F5A51 Underdrive Clutch # 864)	1-2	
41861BM.....	Snap Ring, F4A51/W4A51(W4A5A)/F5A51 Holds Overdrive Pressure Plate In (.106") 1996-Up (Also Fits F4A41/W4A51(W4A5A)/F5A51 Underdrive Clutch # 864)	1-2	
41861BN.....	Snap Ring, F4A51/W4A51(W4A5A)/F5A51 Holds Overdrive Pressure Plate In (.110") 1996-Up (Also Fits F4A41/W4A51(W4A5A)/F5A51 Underdrive Clutch # 864)	1-2	
41861BP.....	Snap Ring, F4A51/W4A51(W4A5A)/F5A51 Holds Overdrive Pressure Plate In (.114") 1996-Up (Also Fits F4A41/W4A51(W4A5A)/F5A51 Underdrive Clutch # 864)	1-2	
41861BQ.....	Snap Ring, F4A51/W4A51(W4A5A)/F5A51 Holds Overdrive Pressure Plate In (.118") 1996-Up (Also Fits F4A41/W4A51(W4A5A)/F5A51 Underdrive Clutch # 864)	1-2	
41862A.....	Snap Ring, F4A41/F4A42/F4A51/W4A42/W4A51(W4A5A)/F5A51 Holds Overdrive Clutch Retainer In (.059" Thick) (1.265"OD) 1996-Up.....	1	
41864.....	Use 41861.....	1	
41865A.....	Snap Ring, F4A41/F4A42/W4A42 Holds Underdrive Clutch Spring & Retainer In (1.935"OD) 1996-Up	1	4553439500

F4A41 F4A4B / F4A42 / W4A42 / F4A51 / W4A51 / W4A5A / F5A51

FWD 4 & 5 Speed

41865B Snap Ring, F4A51/W4A51(W4A5A)/F5A51 Holds Underdrive Clutch Spring & Retainer In (2.085"OD) 1996-Up	1	
41867A Snap Ring, F4A41/F4A42/W4A42 Holds Overdrive Planet To Output Ring Gear (.070" Thick) (4 1/4"OD) 1996-Up	1	
41867B Snap Ring, F4A51/W4A51(W4A5A)/F5A51 Holds Overdrive Planet To Output Ring Gear (.078" Thick)(5 1/8"OD) 1996-Up	1	
41874A Snap Ring, F4A41/F4A42/FW4A42 Holds Piston Housing To Case (.099" Thick) (7 3/16"OD) 1996-Up	1	
41874B Snap Ring, F4A51/W4A51(W4A5A)/F5A51 Holds Piston Housing To Case (.090" Thick) 8 1/16"OD 1996-Up	1	
41878C Snap Ring, F5A51 Holds Direct Clutch Pressure Plate In Drum 2001-Up (.095" Thick) (5.145"OD)	1	
41879C Snap Ring, F5A51 Holds Direct Clutch Retainer In 2001-Up	1	
41880A Snap Ring, F4A41/F4A42/W4A42 Holds Underdrive Drum To Input Shaft (1.033"OD) (.058" Thick) 1996-Up	1	4554839500
41880B Snap Ring, F4A51/W4A51(W4A5A)/F5A51 Holds Underdrive Drum To Input Sahft (1.255"OD) (.056" Thick) 1996-Up	1	
41883A Snap Ring, F4A41/F4A42/F4A51/W4A42/W4A51(W4A5A) Holds Low/Reverse Retainer In (.047" Thick) (2.920"OD) 1996-Up	1	
41883B Snap Ring, F4A51/W4A51(W4A5A)/F5A51 Holds Low/Reverse Retainer In (.056" Thick) (3.260" OD) 1996-Up	1	
41884A Snap Ring, F4A41/F4A42/W4A42 Holds Low/Reverse Clutch Steels In Case (.080") (6 7/8"OD) 1996-Up	1	
41884B Snap Ring, F4A51/W4A51(W4A5A)/F5A51 Holds Low/Reverse Clutch Steels In Case (.080") (8 1/16"OD) 1996-Up	1	
41885AA Snap Ring, F4A41/F4A42/W4A42 Holds Low Reverse Clutch Pressure Plate In (.087") (6 7/8"OD) 1996-Up	1	
41885AB Snap Ring, F4A41/F4A42/W4A42 Holds Low Reverse Clutch Pressure Plate In (.091") (6 7/8"OD) 1996-Up	1	
41885AC Snap Ring, F4A41/F4A42/W4A42 Holds Low Reverse Clutch Pressure Plate In (.094") (6 7/8"OD) 1996-Up	1	
41885AD Snap Ring, F4A41/F4A42/W4A42 Holds Low Reverse Clutch Pressure Plate In (.098") (6 7/8"OD) 1996-Up	1	
41885BA Snap Ring, F4A51/W4A51(W4A5A)/F5A51 Holds Low Reverse Clutch Pressure Plate In (.087")(8 1/16"OD) 1996-Up	1	
41885BB Snap Ring, F4A51/W4A51(W4A5A)/F5A51 Holds Low Reverse Clutch Pressure Plate In (.091")(8 1/16"OD) 1996-Up	1	
41885BC Snap Ring, F4A51/W4A51(W4A5A)/F5A51 Holds Low Reverse Clutch Pressure Plate In (.094")(8 1/16"OD) 1996-Up	1	
41885BD Snap Ring, F4A51/W4A51(W4A5A)/F5A51 Holds Low Reverse Clutch Pressure Plate In (.098")(8 1/16"OD) 1996-Up	1	
41889A Snap Ring, F4A41/F4A42/W4A42 Under Low Sprag In Ring Gear (.079" Thick) W/2 Eyelets (4.475"OD) 1996-Up	1	
41889B Snap Ring, F4A51/W4A51(W4A5A)/F5A51 Under Low Sprag In Ring Gear (.079" Thick) W/2 Eyelets (5.550"OD) 1996-Up	1	
41892AA Snap Ring, F4A41/F4A42/W4A42 Holds Reverse Clutch In (.063") 1996-Up	1	
41892AB Snap Ring, F4A41/F4A42/W4A42 Holds Reverse Clutch In (.067") 1996-Up	1	
41892AC Snap Ring, F4A41/F4A42/W4A42 Holds Reverse Clutch In (.071") 1996-Up	1	
41892AD Snap Ring, F4A41/F4A42/W4A42 Holds Reverse Clutch In (.075") 1996-Up	1	
41892AE Snap Ring, F4A41/F4A42/W4A42 Holds Reverse Clutch In (.079") 1996-Up	1	
41892AF Snap Ring, F4A41/F4A42/W4A42 Holds Reverse Clutch In (.083") 1996-Up	1	
41892AG Snap Ring, F4A41/F4A42/W4A42 Holds Reverse Clutch In (.087") 1996-Up	1	
41892AH Snap Ring, F4A41/F4A42/W4A42 Holds Reverse Clutch In (.091") 1996-Up	1	
41892AJ Snap Ring, F4A41/F4A42/W4A42 Holds Reverse Clutch In (.094") 1996-Up	1	
41892AK Snap Ring, F4A41/F4A42/W4A42 Holds Reverse Clutch In (.098") 1996-Up	1	
41892AL Snap Ring, F4A41/F4A42/W4A42 Holds Reverse Clutch In (.102") 1996-Up	1	
41892AM Snap Ring, F4A41/F4A42/W4A42 Holds Reverse Clutch In (.106") 1996-Up	1	
41892AN Snap Ring, F4A41/F4A42/W4A42 Holds Reverse Clutch In (.110") 1996-Up	1	
41892BA Snap Ring, F4A51/W4A51(W4A5A)/F5A51 Holds Reverse Clutch In (.063") 1996-Up	1	
41892BB Snap Ring, F4A51/W4A51(W4A5A)/F5A51 Holds Reverse Clutch In (.067") 1996-Up	1	
41892BC Snap Ring, F4A51/W4A51(W4A5A)/F5A51 Holds Reverse Clutch In (.071") 1996-Up	1	
41892BD Snap Ring, F4A51/W4A51(W4A5A)/F5A51 Holds Reverse Clutch In (.075") 1996-Up	1	
41892BE Snap Ring, F4A51/W4A51(W4A5A)/F5A51 Holds Reverse Clutch In (.079") 1996-Up	1	
41892BF Snap Ring, F4A51/W4A51(W4A5A)/F5A51 Holds Reverse Clutch In (.083") 1996-Up	1	
41892BG Snap Ring, F4A51/W4A51(W4A5A)/F5A51 Holds Reverse Clutch In (.087") 1996-Up	1	
41892BH Snap Ring, F4A51/W4A51(W4A5A)/F5A51 Holds Reverse Clutch In (.091") 1996-Up	1	
41892BJ Snap Ring, F4A51/W4A51(W4A5A)/F5A51 Holds Reverse Clutch In (.094") 1996-Up	1	
41892BK Snap Ring, F4A51/W4A51(W4A5A)/F5A51 Holds Reverse Clutch In (.098") 1996-Up	1	
41892BL Snap Ring, F4A51/W4A51(W4A5A)/F5A51 Holds Reverse Clutch In (.102") 1996-Up	1	
41892BM Snap Ring, F4A51/W4A51(W4A5A)/F5A51 Holds Reverse Clutch In (.106") 1996-Up	1	
41892BN Snap Ring, F4A51/W4A51(W4A5A)/F5A51 Holds Reverse Clutch In (.110") 1996-Up	1	

F4A41 F4A4B / F4A42 / W4A42 / F4A51 / W4A51 / W4A5A / F5A51

FWD 4 & 5 Speed

MITSUBISHI

PART #	HARD PARTS (Continued)	QTY	REFERENCE #
41896C	Snap Ring, F5A51 Reduction Brake Servo Cover (.060" Thick) 2.175"OD (Takes 2) 2001-Up	1-2	
41897C	Snap Ring, F5A51 Holds Rear Sprag To Rear Support 2001-Up	1	
41899A	Snap Ring, F4A41/F4A42/F4A51/W4A42/W4A51(W4A5A) Holds Cup Race In Case (.177" Thick) 2.310"OD (With Hooked Ends) 1996-Up	1	
41905C	Servo Assembly, F5A51 Reduction Brake Band 2001-Up	1	
41925A	Accumulator Assembly, F4A41/F4A42/F4A51/W4A42/W4A51(W4A5A)/F5A51 2nd Brake (This Is The 2nd Accumulator From The Rear In The Side Of The Case)(3 Pieces) 1996-Up	1	
41927AK	Piston Assembly, F4A41/F4A42/F4A51/W4A42/F5A51 Accumulator (Contains: 1 Piston, 1 Viton Ring & 1 Teflon Ring)(Fits Low/Reverse, Overdrive, Underdrive & 2nd Brake Accumulator) 1996-Up (Sonnax)	1	
41930C	Accumulator Assembly, F5A51 Direct Clutch (4 Pieces) 2001-Up	1	
41935A	Accumulator Assembly, F4A41/F4A42/F4A51/W4A42/W4A51(W4A5A)/F5A51 Overdrive (2 Pieces) 1996-Up	1	
41945A	Accumulator Assembly, F4A41/F4A42/F4A51/W4A42/F5A51 Low/Reverse (3 Pieces) 1996-Up (Also Fits F4A41/F4A42/F4A51/W4A42/W4A51(W4A5A)/F5A51 Underdrive Accumulator Assembly 1996-Up)	1-2	
41950A	Use 41945A	1	
41956A	Housing, F4A41/F4A42/W4A42 2nd Brake Clutch Piston (6 13/16"OD) 1996-Up	1	
41956B	Housing, F4A51/W4A51(W4A5A)/F5A51 2nd Brake Clutch Piston (7 5/8"OD) 1996-Up	1	
41960A	Piston, F4A41/F4A42/W4A42 Overdrive Clutch (Cast # 500747) 1996-Up	1	4545139500
41960B	Piston, F4A51/W4A51(W4A5A)/F5A51 Overdrive Clutch (Cast # 500754) 1996-Up	1	
41961A	Piston, F4A41/F4A42/W4A42 Underdrive Clutch (5.357"OD) Aluminum 1996-Up	1	4552139500
41961B	Piston, F4A51/W4A51(W4A5A)/F5A51 Underdrive Clutch (5.672"OD) Aluminum 1996-Up	1	
41962A	Piston, F4A41/F4A42/W4A42 2nd Brake Clutch (.690" Thick) (6 5/8"OD) 1996-Up	1	
41962B	Piston, F4A51/W4A51(W4A5A)/F5A51 2nd Brake Clutch (.655" Thick) (7 1/2"OD) 1996-Up	1	
41962BA	Piston, F4A51/W4A51(W4A5A)/F5A51 2nd Brake Clutch (.735" Thick) (7 1/2"OD) 1996-Up	1	
41965C	Piston, F5A51 Direct Clutch (Aluminum) (2.245"ID) 2001-Up	1	
41967A	Piston, F4A41/F4A42/W4A42 Low/Reverse Clutch (6 3/16"OD) (.925" Thick At Edge) 1996-Up	1	
41967AA	Piston, F4A41/F4A42/F4A51/W4A42/W4A51(W4A5A) Low/Reverse Clutch (6 3/16"OD) (1.015" Thick At Edge) 1996-Up	1	
41967B	Piston, F4A51/W4A51(W4A5A)/F5A51 Low/Reverse Clutch (7"OD) (.970" Thick At Edge) 1996-Up	1	
41967BA	Piston, F4A51/W4A51(W4A5A)/F5A51 Low/Reverse Clutch (7"OD) (.850" Thick At Edge) 1996-Up	1	
41970A	Return Spring, F4A41/F4A42/W4A42 Overdrive Clutch Piston (18 Springs) 1996-Up	1	4544639500
41970B	Return Springs, F4A51/W4A51(W4A5A)/F5A51 Overdrive Clutch Piston (20 Springs) 1996-Up	1	
41971A	Springs, F4A41/F4A42/W4A42 Underdrive Clutch Return 1996-Up (1.020" Thick) (18 Springs)	1	4541639500
41971B	Springs, F4A51/W4A51(W4A5A)/F5A51 Underdrive Clutch Return 1996-Up (1.150" Thick) (20 Springs)	1	
41972A	Return Spring, F4A41/F4A42/W4A42 2nd Brake Clutch (6 13/16"OD) 1996-Up	1	
41972B	Return Spring, F4A51/W4A51(W4A5A)/F5A51 2nd Brake Clutch (7 5/8"OD) 1996-Up	1	
41975C	Spring, F5A51 Direct Clutch Return (20 Springs) 2001-Up	1	
41977A	Return Spring, F4A41/F4A42/F4A51/W4A42/W4A51(W4A5A) Low/Reverse Clutch (5 1/2"OD) 1996-Up	1	
41977B	Return Spring, F4A51/W4A51(W4A5A)/F5A51 Low/Reverse Clutch (6 1/2"OD) 1996-Up	1	
41980A	Retainer, F4A41/F4A42/W4A42 Overdrive Clutch Spring (Aluminum) 22 Spring Pockets (4.950"OD) 1996-Up	1	4545239500
41980B	Retainer, F4A51/W4A51(W4A5A)/F5A51 Overdrive Clutch Spring (Aluminum) 22 Spring Pockets (5.500"OD) 1996-Up	1	
41981A	Retainer, F4A41/F4A42/W4A42 Underdrive Clutch Spring 1996-Up (Aluminum) 4.752"OD	1	4552239500
41981B	Retainer, F4A51/W4A51(W4A5A)/F5A51 Underdrive Clutch Spring 1996-Up (Aluminum) (5.305"OD)	1	
41985C	Retainer, F5A51 Direct Clutch Spring (Aluminum) 2001-Up	1	
41987A	Retainer, F4A41/F4A42/F4A51/W4A42/W4A51(W4A5A) Low/Reverse Clutch Spring (5 1/2"OD) 1996-Up	1	
41987B	Retainer, F4A51/W4A51(W4A5A)/F5A51 Low/Reverse Clutch Spring (6 1/2"OD) 1996-Up	1	
41991A	Linkage Assembly, F4A41/F4A42/W4A42 Internal (Rooster Comb Has Cast #1) 1996-Up	1	
41991B	Linkage Assembly, F4A51/W4A51(W4A5A)/F5A51 Internal (Rooster Comb Has Cast #2) 1996-Up	1	
41992A	Shift Lever, F4A41/F4A42/W4A42 (Cast #1) No Weight 1996-Up	1	
41992AA	Shift Lever, F4A41/F4A42/W4A42 (Cast #9) With Weight 1996-Up	1	
41992B	Shift Lever, F4A51/W4A51(W4A5A) (Cast #8) With Weight 1996-Up	1	
41992C	Shift Lever, F5A51 (Cast #74) No Weight 2001-Up	1	
41995A	Park Pawl Assembly, F4A41/F4A42/W4A42 (Flat) Uses A Spacer (4 Pieces) 1996-Up	1	
41995B	Park Pawl Assembly, F4A51/W4A51(W4A5A) (Flat) Cast # 4A51 (Uses a Spacer) (4 Pieces) 1996-Up	1	
41995C	Park Pawl Assembly, F5A51 (Offset) No Spacer (3 Pieces) 2001-Up	1	

4199CLube Tube, F5A51 Goes In Case (With 2 Brackets) 2001-Up 1



MITSUBISHI