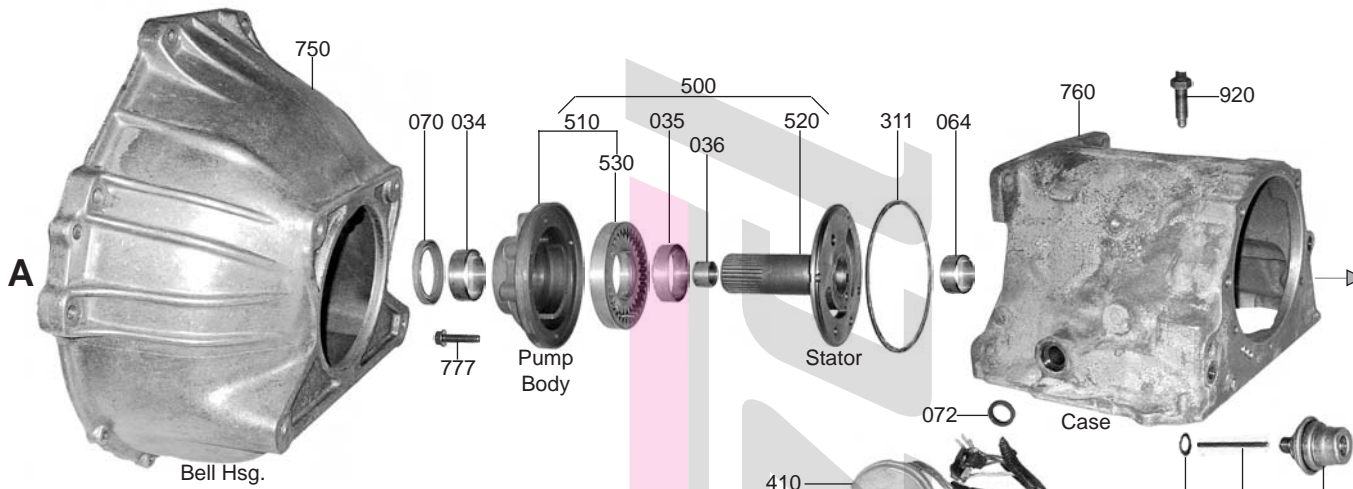
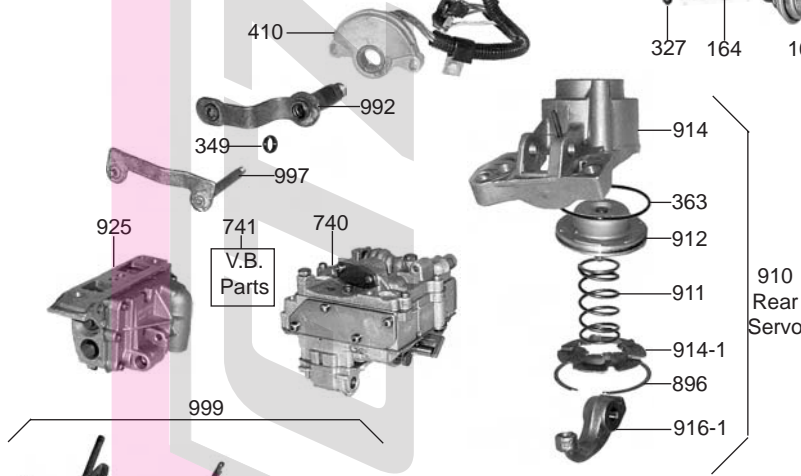
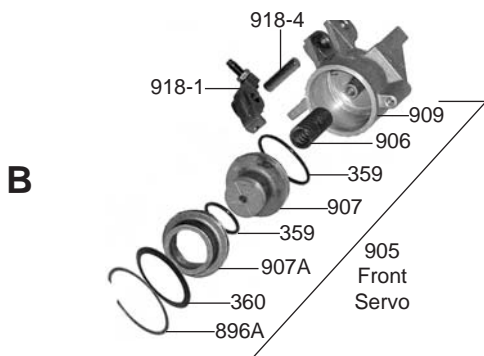


FORD

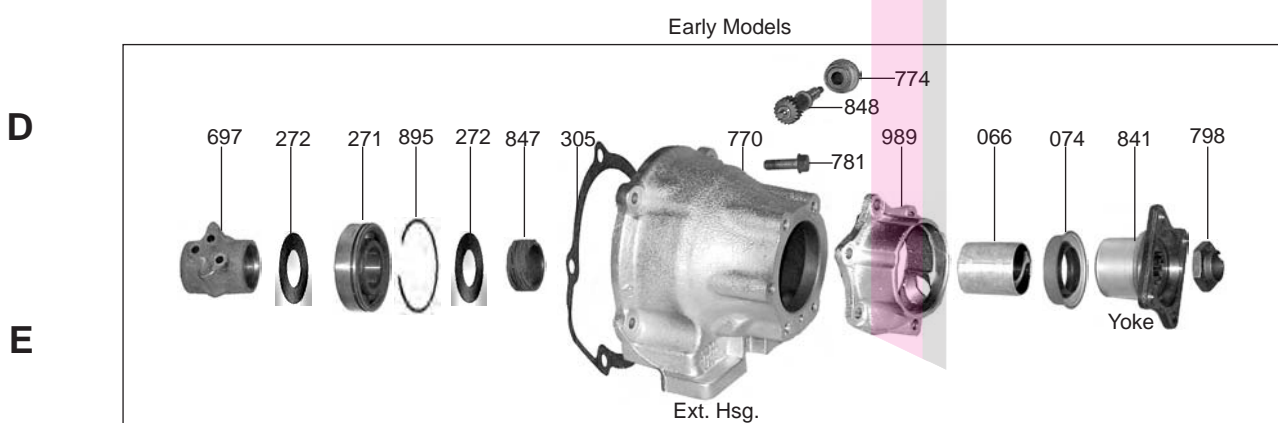


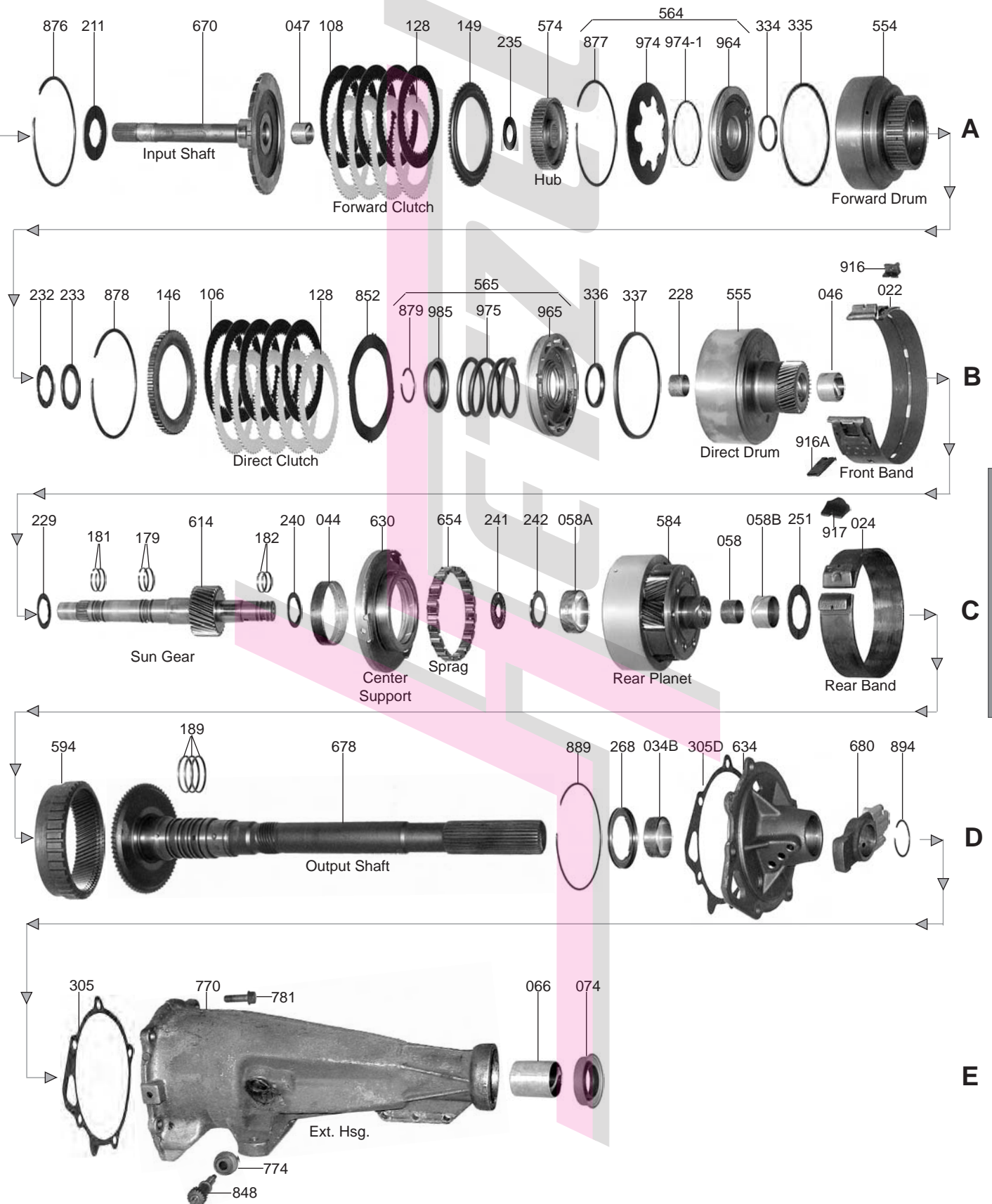
- 000 P&R Kit
- 002 OHK Kit
- 004 Master L/Steels Kit
- 006 Master W/Steels Kit
- 011 Filter Kit
- 030 Bushing Kit
- 119 Friction Module
- 139 Steel Module
- 165 V.B. Kit
- 175 Ring Kit
- 390 External Seal Kit



NOTE: To ID the Transmission, Measure the Cast Iron Case Front to Back.

FMX = 10"
 Small Case = 9 7/8"
 Medium Case = 10 7/32"
 Large Case = 10 7/8" 1958-60
 Large Case = 11 1/2" 1961-65





FORD

PART #	PAPER & RUBBER KIT	QTY.	REFERENCE #
106000.....	Paper & Rubber Kit, FMX 1968-81	1	
106000A.....	Paper & Rubber Kit, BW 8-12 1956-74	1	
106000B.....	Paper & Rubber Kit, Small Case 1951-67.....	1	
106000C.....	Paper & Rubber Kit, Medium Case 1955-71	1	
106000D.....	Paper & Rubber Kit, Large Case 1955-65	1	
PART #	OVERHAUL KITS	QTY.	REFERENCE #
106002.....	Overhaul Kit, FMX 1968-81	1	
106002A.....	Overhaul Kit, BW 8-12 1956-74	1	
106002B.....	Overhaul Kit, Small Case 1951-67.....	1	
106002C.....	Overhaul Kit, Medium Case 1955-71	1	
106002D.....	Overhaul Kit, Large Case 1955-65.....	1	
PART #	MASTER L/STEEL KIT	QTY.	REFERENCE #
106004.....	Master L/Steels Kit, 1968-81	1	
106004A.....	Master L/Steels Kit, BW 8-12 1956-74.....	1	
106004B.....	Master L/Steels Kit, Small Case 1951-67	1	
106004C.....	Master L/Steels Kit, Medium Case 1955-71.....	1	
106004D.....	Master L/Steels Kit, Large Case 1955-65	1	
PART #	MASTER W/STEEL KIT	QTY.	REFERENCE #
106006.....	Master W/Steels Kit, FMX 1968-81	1	
106006A.....	Master W/Steels Kit, BW 8-12 1956-74	1	
106006B.....	Master W/Steels Kit, Small Case 1951-67	1	
106006C.....	Master W/Steels Kit, Medium Case 1955-71	1	
106006D.....	Master W/Steels Kit, Large Case 1955-65	1	
PART #	FILTER	QTY.	REFERENCE #
106010.....	Filter, FMX Felt 1968-81.....	1	D8AZ-7A098-A
106010A.....	Filter, FMX Brass 1968-81	1	DOAZ-7A098-A
106010AB.....	Filter, BW 8-12 1956-74	1	3186706
106010B.....	Filter, Small Case 1951-67 (Brass With 2 Holes & 2 Indentions In The Brass, 1 By Each Hole).....	1	
106010C.....	Filter, Medium Case 1955-71 (Brass With 2 Holes & 1 Indention By The Large Hole).....	1	B9MP-7A089-B
PART #	FILTER KIT	QTY.	REFERENCE #
106011.....	Filter Kit, FMX Felt 1968-81	1	
106011A.....	Filter Kit, FMX Brass 1968-81	1	
106011AB.....	Filter Kit, BW 8-12 1956-74	1	
106011B.....	Filter Kit, Small Case 1951-67	1	
106011C.....	Filter Kit, Medium Case 1955-71	1	
PART #	BANDS	QTY.	REFERENCE #
106022.....	Band, FMX Front (Flex) 1968-81	1	D7AZ-7A162-A
106022A.....	Band, FMX Front (Solid) 1968-73	1	D2AZ-7A162-A
106022B.....	Band, Front (Center Lug) 1955-56 (R & R Only).....	1	C2AZ-7A162-A
106022C.....	Band, Front (Off Set Lug) (Thick Lining) 1961-65	1	C2AZ-7A162-B
106022D.....	Band, Front (1.625" Wide) 1961-71	1	B6AZ-7A162-A
106022E.....	Band, Front (Off Set Lug) (Paper Lining) 1961-65.....	1	C7AZ-7A162-A
106022S.....	Band, FMX Front (Slip-In Or Snap) 1968-81.....	1	
106024.....	Band, FMX Small & Medium Case Rear 1955-81.....	1	B5SZ-7A163-B
106024A.....	Band, Small & Medium Case Rear 1951-55	1	
106024AA.....	Band, Large Case Rear 1955-72	1	
PART #	BUSHINGS	QTY.	REFERENCE #
106030.....	Bushing Kit, FMX 1968-81	1	
106030A.....	Bushing Kit, BW 8-12 1956-74.....	1	
106030B.....	Bushing Kit, Small Case 1951-67	1	
106030C.....	Bushing Kit, Medium Case 1955-71	1	
106030D.....	Bushing Kit, Large Case 1955-72	1	

36034.....	Bushing, FMX Pump Body (Babbit)	1	
36034B	Bushing, FMX Pump Body (Bronze)	1	
106034.....	Bushing, Cruiso Pump Body	1	
106034B	Bushing, Cruiso Rear Pump.....	1	B5AZ-7B260-A
106035.....	Bushing, Small & Medium Case Pump Gear	1	
106036.....	Bushing, FMX Stator Front (29 Spline) 1968-81	1	
106036B	Bushing, Small Case Stator (17 Spline) 1951-59.....	1	
106036BA.....	Bushing, Small & Medium Case Stator (29 Spline) 1955-71	1	
106036D	Bushing, Large Case Stator 1955-65.....	1	
106046.....	Bushing, FMX Direct Drum	1	B1AZ-7B262-2
106047.....	Bushing, FMX Input Shaft	1	B1AZ-7B120-A
106058.....	Bushing, FMX Planet (Inner, Rear) (Small).....	1	B1AZ-7B257-B
106058B	Bushing, FMX Planet (Outer).....	1	B5AZ-7B256-A
106064.....	Bushing, Small & Medium Case Front Case.....	1	B5AZ-7B025-A
36066.....	Bushing, FMX Extension Housing (Bronze).....	1	
36066T	Bushing, FMX Extension Housing (Teflon Coated)	1	

PART #	METAL CLAD SEALS	QTY.	REFERENCE #
36070.....	Seal, FMX/Medium Case Front Pump (W/Out Flange) 1968-Up	1	C2AZ-7A248-A
106070B	Seal, Front Pump (Small, Medium & Large Case) 1951-67	1	C3AZ-7A248-A
36072.....	Seal, FMX/Small/Medium/Large Case linkage Shaft	1	D5AZ-7B498-A
36074.....	Seal, FMX/Small/Medium/Large Case (Some) Rear W/Out Boot	1	D5AZ-7B052-A
36074B	Seal, FMX/Small/Medium/Large Case (Some) Rear With Boot	1	
36074C	Seal, FMX Small/Medium/Large Case (Some) Rear (3.066"OD)(W/Bolt On Yoke).....	1	
44074C	Seal, FMX/Small/Medium Case (Some) Rear (Small W/Short Boot).....	1	
106074L.....	Seal, Large Case (Lincoln & Continental) 1961-65.....	1	C1VP-7052A

PART #	FRICITION CLUTCH	QTY.	REFERENCE #
106106.....	Friction, Cruiso Direct Clutch (.095") 1951-66.....	5	C2AP-7B164-A
106106A	Friction, FMX Direct Clutch (.079") 1967-81	5	C8AZ-7B164-G
106108A	Friction, FMX/Cruiso Forward Clutch (.058") (Waffle) 1951-81.....	5	C9AZ-7B164-A
106108B	Friction, FMX Forward Clutch (.088") 1967-81	5	C9AZ-7B164-B
106108C	Friction, FMX Forward Clutch (.073") 1967-81.....	5	C9AZ-7B164-C
106119.....	Friction Module, FMX	1	
106119A.....	Friction Module, BW 8-12/Small/Medium Case	1	

PART #	STEEL CLUTCH	QTY.	REFERENCE #
76128.....	Steel, FMX Forward/Direct Clutch (Flat) (.068") 1968-81	7-8.....	C8AZ-7B442-A
106128.....	Steel, Cruiso Direct Clutch (Dished) (.067") 1950-69.....	4-6.....	
106128A	Steel, Cruiso Direct Clutch (.092") 1963-72	1	C2AZ-7B442-A
106128D	Steel, Large Case Forward/Direct Clutch 1958-65	4	
106139.....	Steel Module, FMX.....	1	
106139B	Steel Module, BW 8-12	1	
106139C	Steel Module, Medium Case 1955-71	1	

PART #	MODULATORS	QTY.	REFERENCE #
106160.....	Modulator, FMX/Cruiso Green Stripe (Single Line) 1961-81.....	1	D5AZ-7A377-A
146160.....	Modulator, FMX Blue Stripe (Single Line) 1968-81	1	
106160A	Modulator, FMX Red Stripe (Dual Line)	1	
106160B	Modulator, FMX Balck Stripe (Dual Line) (351 Engine)	1	
106160C	Modulator, FMX Orange Stripe (Dual Line) (302 Engine)	1	FD30
106160CA.....	Modulator, FMX Orange Stripe (Dual Line)	1	FD30A
106160D	Modulator, FMX Yellow Stripe (Single Line).....	1	F3
44162.....	Hose, Modulator (Elbow).....	1	C1AZ-7B087-E

PART #	VALVE BODY KITS	QTY.	REFERENCE #
T106165	Shift Kit, FMX 1967-72	1	SK@3-67
T106165A	Shift Kit, FMX 1973-81	1	SK@3-73
T106165AA.....	Shift Kit, Cruiso 1963-66	1	SK@3VL
T106171	Reprogramming Kit, FMX Competition 1967-72	1	37-1
T106171A.....	Reprogramming Kit, FMX Competition 1973-81	1	33-1
T106173	Reprogramming Kit, FMX Competition Stick Shift 1967-Up.....	1	FMX-3

PART #	OIL SEALING RINGS	QTY.	REFERENCE #
106175.....	Ring Kit, FMX 1968-81.....	1	
106175A.....	Ring Kit, BW 8-12 1967-74.....	1	
106175B.....	Ring Kit, Small Case 1951-71.....	1	
106175C.....	Ring Kit, Medium Case 1955-72.....	1	
106175D.....	Ring Kit, Large Case (4 Rings Only) 1955-65.....	1	
106179B.....	Ring, FMX Sun Gear (Center) 1968-81.....	2	COAZ-7C169-A
36181.....	Ring, FMX Governor 1968-81.....	4	
106181.....	Ring, BW 8-12 Sun Gear (Front) 1967-74.....	2	1P-77542-A
106181A.....	Ring, FMX Sun Gear (Front) 1968-81.....	2	B5SZ-77542-A
106182C.....	Ring, FMX Sun Gear (Rear) 1968-81.....	2	1P-77543-B
106182D.....	Ring, Cruiso Sun Gear (Rear) 1955-70.....	2	
106189.....	Ring, FMX Governor (Use 36181).....	4	
106189A.....	Ring, BW 8-12 Governor 1967-74.....	4	C6AZ-7D019-B

PART #	WASHERS & BEARINGS	QTY.	REFERENCE #
106211.....	Washer, FMX Input Shaft To Stator.....	1	
106228.....	Caged Bearing, FMX Inside Direct Drum.....	1	C8AZ-7D480A
106229.....	Washer, FMX Direct Drum To Sun Gear.....	1	
106232.....	Washer, FMX Forward Drum To Direct Drum (Bronze).....	1	
106233.....	Race, FMX Forward Drum To Direct Drum (Steel).....	1	
106235.....	Washer, FMX Input Shaft To Forward Hub (Fiber).....	1	
106240.....	Race, FMX Sun Gear To Planet (Front).....	1	D3AZ-7C096A
106241.....	Thrust Bearing, FMX Sun Gear To Planet.....	1	
106242.....	Race, FMX Sun Gear To Planet (Rear).....	1	
106251.....	Washer, FMX Planet To Output Shaft (.062").....	1	
106251A.....	Washer, FMX Planet To Output Shaft (.068").....	1	
106251AA.....	Washer, FMX Planet To Output Shaft (.075").....	1	
106251AB.....	Washer, FMX Planet To Output Shaft (.082").....	1	
106268.....	Bearing W/Race, FMX Output Shaft To Support.....	1	
106268C.....	Washer, Medium Case Output Shaft To Rear Pump (.059: Thick)(4.192"OD)(2.212"ID)(With 2 Round Outer Tabs).....	1	
106271.....	Ball Bearing, FMX Output Shaft To Extension Housing.....	1	
106272.....	Washer, FMX Ball Bearing To Governor Sleeve & Ball Bearing To Speed-O Gear.....	2	

PART #	GASKETS & RUBBER COMPONENTS	QTY.	REFERENCE #
106300.....	Gasket, FMX/Small Case Bottom Pan (Cork).....	1	B5AZ-7A191-A
106300C.....	Gasket, Medium Case Bottom Pan (Cork).....	1	B5AZ-7A191-B
106300D.....	Gasket, Large Case Bottom Pan 1955-60.....	1	
106300DA.....	Gasket, Large Case Bottom Pan 1961-Up.....	1	
106305.....	Gasket, FMX Extension Housing 1968-81.....	1	D2AZ-7086-A
106305A.....	Gasket, BW 8-12 Extension Housing 1967-74.....	1	
106305B.....	Gasket, Small Case Extension Housing To Rear Pump.....	1	
106305D.....	Gasket, FMX Case To Governor Collector.....	1	
106310.....	Gasket, Cruiso Rear Pump To Case.....	1	
106311.....	O-Ring, FMX Front Pump.....	1	B1AZ-7A136-A
26327.....	Gasket, FMX/Small/Medium Case Modulator.....	1	C2AP-7B426-A
106334.....	O-Ring, FMX Forward Clutch (Inner).....	1	
106335.....	Lip Seal, FMX Forward Clutch (Outer).....	1	
106336.....	Lip Seal, FMX Direct Clutch (Inner).....	1	C8AZ-7E212-A
106337.....	Lip Seal, FMX Direct Clutch (Outer).....	1	C8AZ-7C051-A
36349.....	O-Ring, FMX Throttle Shaft.....	1	386078-S
106359.....	Seal, FMX Front Servo (Large).....	1	
106375.....	O-Ring, Small/Medium Case Outlet Tube O-Ring.....	1	
106361A.....	O-Ring, FMX Front Servo Guide (1.890"ID) 1968-Up.....	1	
44371A.....	O-Ring, FMX Filler Tube.....	1	6264902
26385.....	Hockey Puck, FMX Intermediate Accumulator Check Valve Seal (Rubber) 1964-86.....	1	
106390.....	Seal Kit, FMX External.....	1	

PART #	HARD PARTS	QTY.	REFERENCE #
106500.....	Pump, FMX (29 Spline Input Shaft) 1968-81.....	1	C8AZ-7A103-A
106500A.....	Pump, FMX (17 Splines Input Shaft).....	1	
106500AB.....	Pump, BW 8-12 (29 Spline Input Shaft) Lugs On Inner Gear Measure 7/16" Long At Lug Tip.....	1	
106500C.....	Pump, Medium Case 1968-73 (Lugs On Inner Gear Measure 1/4" Long At Lug Tip).....	1	
106510.....	Pump Body W/Gears, FMX 1968-81.....	1	

106510AB.....	Pump Body W/Gears, BW 8-12 (Lugs On Inner Gear Measure 7/16" Long At Lug Tip)	1	
106510C.....	Pump Body W/Gears, Medium Case (Lugs On Inner Gear Measure 1/4" Long At Lug Tip).....	1	
106520.....	Stator, FMX (29 Spline Input Shaft) 1968-81	1	
106520C.....	Stator, Medium Case 1968-73	1	
106554	Drum, FMX Forward Clutch (Front) (27 Teeth Forward Steels) 1968-Up	1	
106554C.....	Drum, Medium Case Forward Clutch (Front) 55 Teeth Forward Steels	1	
106555.....	Drum, FMX Direct (Rear W/Sun Gear) Has 27 Lugs In Drum Where Steels Ride)	1	C9AZ-7A626-A
106555C.....	Drum, Medium Case Direct (Rear W/Sun Gear) Has 55 Lugs In Drum Where Steels Ride.....	1	
106564A.....	Piston Kit, FMX Forward Clutch (Cast #RF-DOAP).....	1	
106564B.....	Piston Kit, Small/Medium Case Forward Clutch (Cast #B9AP)	1	
106565.....	Piston Kit, FMX Direct Clutch (Cast #RFDOZP)	1	
106565A.....	Piston Kit, FMX Direct Clutch (Cast #RFDOYP) (.750" Thick).....	1	
106574.....	Hub, FMX Forward Clutch.....	1	
106584.....	Planet, FMX 1968-81	1	C3AZ-7A398-C
106584A.....	Planet, Small Case (Smooth Race)	1	
106614.....	Sun Gear, FMX (30 Teeth) (10 1/4" Long).....	1	
106614A.....	Sun Gear, FMX (30 Teeth) (10 3/4" Long).....	1	
106634C.....	Rear Pump (Support), Medium Case (W/Gears)	1	

PART #	SPRAGS & ONE WAY CLUTCHES	QTY.	REFERENCE #
34654.....	Sprag, FMX Low Clutch Roller (Rear).....	1	

PART #	HARDPARTS (Continued)	QTY.	REFERENCE #
106680.....	Governor, FMX.....	1	
106681A-3.....	Spring, FMX Governor Return Spring	1	D2AZ-7C063-A
106740.....	Valve Body, FMX (With Small Valves) 1968-72.....	1	
106740A.....	Valve Body, FMX (With Large Valves) 1973-81	1	
26741V-5.....	Check Ball, FMX/Cast Iron Cruiso Valve Body (.212") Rubber.....	AR.....	
106750.....	Bell Housing, FMX/Small Case (Small Block) No Cable Mount.....	1	
106750A.....	Bell Housing, FMX (Small Block) With Shift Cable Mount	1	
106750AB.....	Bell Housing, FMX/Small Case (Big Block) No Cable Mount.....	1	
106750AC.....	Bell Housing, FMX (Big Block) With Shift Cable Mount	1	
106750AD.....	Bell Housing, FMX/Small Case (390 Round Bell Style).....	1	
106760.....	Case, FMX (10" Long) 1968-76 (Can Use 106760A).....	1	
106760A.....	Case, FMX (10" Long) 1977-Up (Can Use 106760)	1	
106760B.....	Case, Small Case (9 7/8" Long) No Dip Stick 1951-67	1	
106765.....	Pan, FMX (Filler Tube In Case) 1968-81	1	
106765B.....	Pan, Small Case (Filler Tube Screws In Pan) 1951-67.....	1	
106770	Ext Housing, FMX 2Wd (13") (Uses 5 Short Bolts) 68-81.....	1	
106770AC.....	Ext Housing, FMX (16 1/4:) (Uses 5 Short Bolts) 68-81	1	
106770B.....	Ext Housing, Small Case (13 1/2") (uses 4 Short & 1 Long Bolt)	1	
106770BA.....	Ext Housing, Small Case (16 5/8") (Uses 4 Short & 1 Long Bolt)	1	
106770BF.....	Ext Housing, Small Case (7 1/4") (Uses 4 Short & 1 Long Bolt)(Truck Bolt-On Yoke Type)	1	
S36779.....	Pan Bolt, FMX (Sonnax)	AR.....	
106877A.....	Snap Ring, FMX/Small/Medium Case Holds Forward Clutch Cushion.....	1	
106889.....	Snap Ring, FMX Holds Ring Gear To Output Shaft	1	
106894.....	Snap Ring, FMX Holds Governor To Output Shaft.....	1	
106964A.....	Piston, FMX Forward Clutch (Cast #RF-DOAP)	1	
106974.....	Spring, FMX Front Clutch Spring	1	C1AP-7B070-A
106974A.....	Cushion, FMX/Small/Medium Case Forward Clutch Disc Spring	1	

FORD