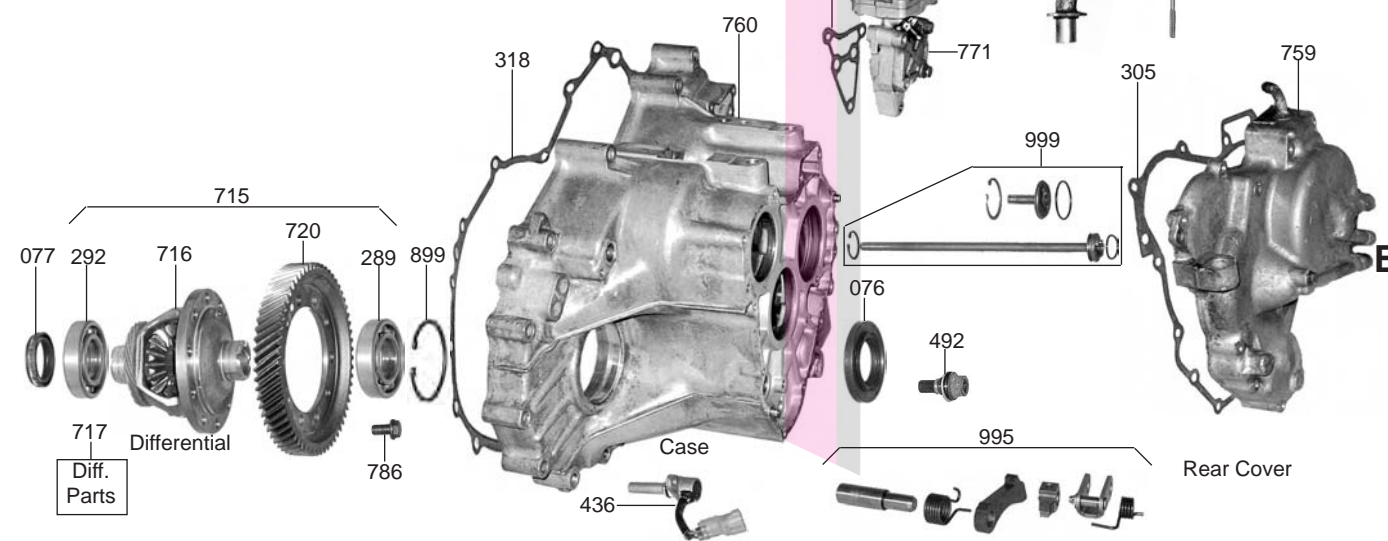
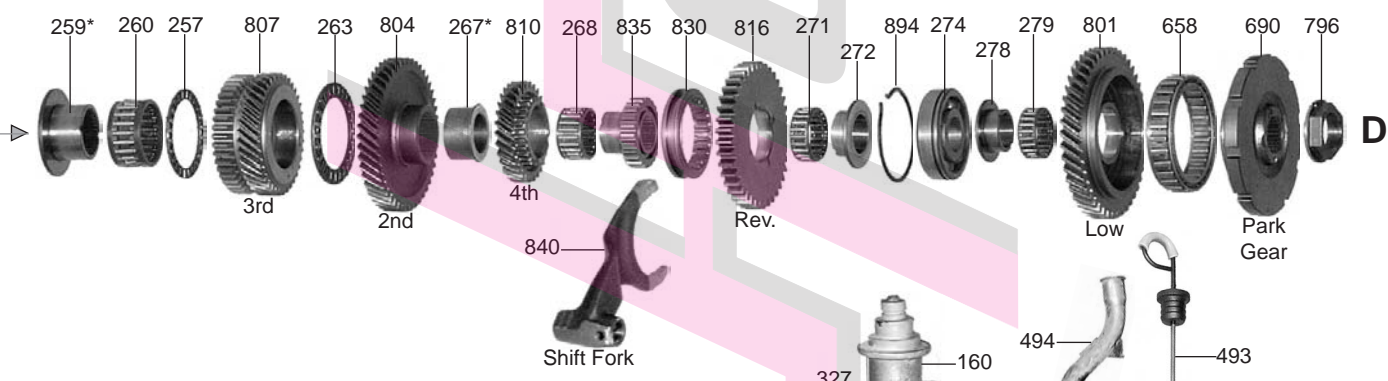
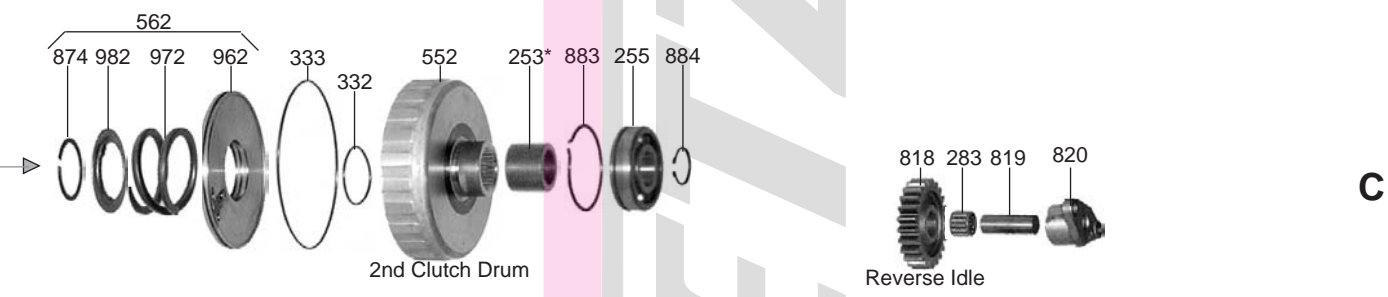
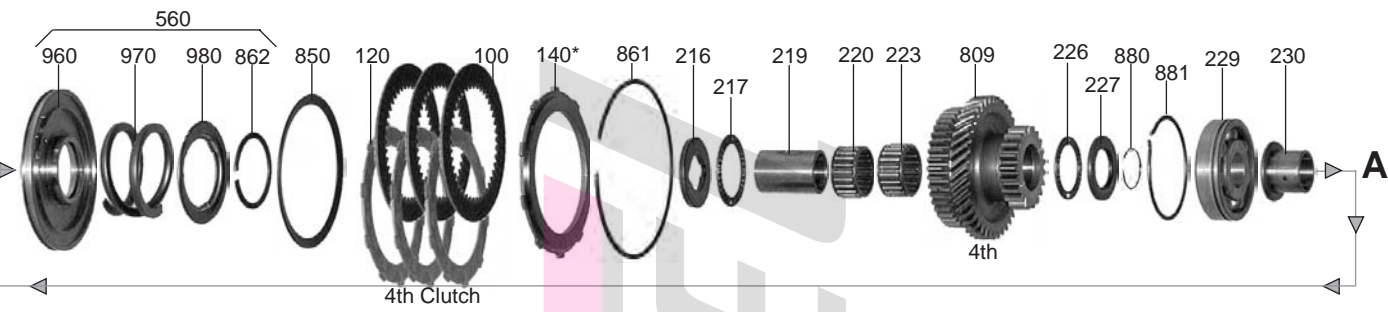


B

C

D

E



PART #	PAPER & RUBBER KIT	QTY.	REFERENCE #
170000A	Paper & Rubber Kit, RO / MPRA (Integra) 1990-93	1	

PART #	OVERHAUL KITS	QTY.	REFERENCE #
170002A	Overhaul Kit, RO / MPRA (Integra) 1990-93	1	

PART #	MASTER L/STEEL KIT	QTY.	REFERENCE #
170004A	Master L/Steels Kit, RO / MPRA (Integra) 1990-93	1	

PART #	MASTER W/STEEL KIT	QTY.	REFERENCE #
170006A	Master W/Steels Kit, RO / MPRA (Integr) 1990-93	1	

PART #	FILTER	QTY.	REFERENCE #
170010A	Filter, RO / MPRA (Integra) 1990-93	1	25420-PRO-030



70018CA	Screen, RO/MPRA (Some) Valve Body (.662"OD)(.315" Thick By Boot)	1	
---------	--	---	--

PART #	METAL CLAD SEALS	QTY.	REFERENCE #
170070A	Seal, RO (Integra) Front 1990 (Use 60070A)	1	91207-POX-003
60070A	Seal, RO (Integra) Front (44x68x8mm) Counter Clockwise Helix 1990	1	
170070AA	Seal, MPRA (Integra) Front 1991-93	1	91207-PRO-003
60076G	Seal, RO / MPRA Right Axle 1990-93	1	91206-PC8-005
60077H	Seal, RO / MPRA Bell Housing Axle Seal (40 x 56 x 9mm)	1	

PART #	FRICITION CLUTCH	QTY.	REFERENCE #
170100A	Friction, RO / MPRA (All Clutch Packs) (.077") (41 Teeth)	3-13	22544-PRO-850

PART #	STEEL CLUTCH	QTY.	REFERENCE #
170120AA	Steel, RO 2nd Clutch (.118" Thick) 24 Teeth (3.44"ID) 1990	3	22644-PRO-003
170120AB	Steel, MPRA 2nd Clutch (.079" Thick) 24 Teeth (3.44"ID) 1991-93	3	22643-PRO-003
170120C	Steel, RO / MPRA 3rd / 4th Clutch (.079" Thick) 10 Teeth (3.44"ID)		
	(Also RO / MPRA 1st Clutch)	3-9	22543-PF4-000
170124A	Steel, RO 2nd Clutch (.118" Thick) 24 Teeth (3.44"ID) 1990 (Use 170120AA)	3	
170124AB	Steel, MPRA 2nd Clutch (.079" Thick) 24 Teeth (3.44"ID) 1991-93 (Use 170120AB)	3	
170126A	Steel, RO / MPRA 1st Clutch (.079" Thick) 10 Teeth (3.44"ID) (Use 170120C)	3	

PART #	CLUTCH PRESSURE PLATES	QTY.	REFERENCE #
60140C-1	Pressure Plate, RO / MPRA 1st / 3rd / 4th Clutch (3.44"ID) 10 Teeth (Stamped #1)	1-3	
60140C-2	Pressure Plate, RO / MPRA 1st / 3rd / 4th Clutch (3.44"ID) 10 Teeth (Stamped #2)	1-3	
60140C-3	Pressure Plate, RO / MPRA 1st / 3rd / 4th Clutch (3.44"ID) 10 Teeth (Stamped #3)	1-3	
60140C-4	Pressure Plate, RO / MPRA 1st / 3rd / 4th Clutch (3.44"ID) 10 Teeth (Stamped #4)	1-3	
60140C-5	Pressure Plate, RO / MPRA 1st / 3rd / 4th Clutch (3.44"ID) 10 Teeth (Stamped #5)	1-3	
60140C-6	Pressure Plate, RO / MPRA 1st / 3rd / 4th Clutch (3.44"ID) 10 Teeth (Stamped #6)	1-3	
60140C-7	Pressure Plate, RO / MPRA 1st / 3rd / 4th Clutch (3.44"ID) 10 Teeth (Stamped #7)	1-3	
60140C-8	Pressure Plate, RO / MPRA 1st / 3rd / 4th Clutch (3.44"ID) 10 Teeth (Stamped #8)	1-3	
60140C-9	Pressure Plate, RO / MPRA 1st / 3rd / 4th Clutch (3.44"ID) 10 Teeth (Stamped #9)	1-3	
60140C-10	Pressure Plate, RO / MPRA 1st / 3rd / 4th Clutch (3.44"ID) 10 Teeth (Stamped #10)	1-3	
170144AA	Pressure Plate, RO / MPRA 2nd Clutch (3.44"ID) 24 Teeth (Stamped # 1)	1	
170144AB	Pressure Plate, RO / MPRA 2nd Clutch (3.44"ID) 24 Teeth (Stamped # 2)	1	
170144AC	Pressure Plate, RO / MPRA 2nd Clutch (3.44"ID) 24 Teeth (Stamped # 3)	1	
170144AD	Pressure Plate, RO / MPRA 2nd Clutch (3.44"ID) 24 Teeth (Stamped # 4)	1	
170144AE	Pressure Plate, RO / MPRA 2nd Clutch (3.44"ID) 24 Teeth (No Stamped #) (.138")	1	
170144AF	Pressure Plate, RO / MPRA 2nd Clutch (3.44"ID) 24 Teeth (Stamped # 6)	1	

170144AG Pressure Plate, RO / MPRA 2nd Clutch (3.44"ID) 24 Teeth (Stamped # 7) 1
170144AH Pressure Plate, RO / MPRA 2nd Clutch (3.44"ID) 24 Teeth (Stamped # 8) 1
170144AJ Pressure Plate, RO / MPRA 2nd Clutch (3.44"ID) 24 Teeth (Stamped # 9) 1

PART #	WASHERS & BEARINGS	QTY.	REFERENCE #
60209A Caged Needle Bearing, RO / MPRA Converter Reactor (Front) 1	
60211A Ball Bearing, RO / MPRA Bell Housing To Converter (2.675"OD) (1.570"ID) 1	
80214 Caged Needle Bearing, RO / MPRA Converter Reactor (Rear) 1	
170216A Race, RO / MPRA 4th Gear To 4th Drum (Mainshaft) (Use 60229G) 1	
170217A Thrust Bearing, RO / MPRA Race To 4th Gear (Mainshaft) (Use 60232E) 1	
170219A Collar, RO 4th Gear (1.990" Long) (Mainshaft) 1	
170219B Collar, MPRA 4th Gear (1.830" Long) (Mainshaft) 1	
170220A Caged Needle Bearing, RO Collar To 4th Gear (Mainshaft) (Use 60260A) 1	
170220B Caged Needle Bearing, MPRA Collar To 4th Gear (Mainshaft) (Use 60260C) 1	
170223A Caged Needle Bearing, RO / MPRA Collar To 4th Gear (Mainshaft) (Use 60260A) 1	
170226A Thrust Bearing, RO / MPRA 4th Gear To Race (Mainshaft) (Use 60238A) 1	
170227A Race, RO / MPRA 4th Gear To Wire Snap Ring (Mainshaft) (Use 60239A) 1	
170229A Roller Bearing, RO / MPRA Mainshaft To Case (2.952"OD) (Use 60274CA) 1	
60229G Race, RO / MPRA 4th Gear To 4th Drum (Mainshaft) 1	
170230A Collar, RO / MPRA Ball Bearing To 1st Gear (Mainshaft) (Use 60243C) 1	
170231A Washer, RO / MPRA Collar To 1st Gear (Mainshaft) (Use 90244B) 1	
170232A Caged Needle Bearing, RO / MPRA 1st Gear (Mainshaft) (Use 60247A) 1	
90232B Bearing, RO / MPRA 2nd Gear To 2nd Drive Gear (Secondary Shaft) (Also RO/MPRA 2nd Drive Gear to Secondary Shaft) 1-2	
60232E Thrust Bearing, RO / MPRA Race To 4th Gear (Mainshaft) 1	
170235A Thrust Bearing, RO / MPRA 1st Gear To Low Drum (Mainshaft) (Use 90251B) 1	
170236A Race, RO / MPRA 1st Gear To Low Drum (Mainshaft) (Use 60252A) 1	
90236B Caged Needle Bearing, RO 2nd Drive Gear To Secondary Shaft (1.770" Thick) (22 Rollers) (Also RO/MPRA 4th Gear (Counter Shaft)) 1-2	
60238A Thrust Bearing, RO / MPRA 4th Gear To Race (Mainshaft) 1	91018-P56-003
170238A Roller Bearing, RO / MPRA Bell Housing To Secondary Shaft 1	
60239A Race, RO / MPRA 4th Gear To Wire Snap Ring (Mainshaft) 1	
170239A Race, RO / MPRA Snap Ring To Split Washer (Secondary Shaft) 1	
170241A Bearing, RO / MPRA 2nd Gear To 2nd Drive Gear (Secondary Shaft) (Use 90232B) 1	
60243C Collar, RO / MPRA Ball Bearing To 1st Gear (Mainshaft) 1	
170244A Thrust Bearing, RO / MPRA 2nd Gear Drive To Secondary Shaft (Use 90232B) 1	
90244B Washer, RO / MPRA Collar To 1st Gear (Mainshaft) 1	
60247A Caged Needle Bearing, RO / MPRA 1st Gear (Mainshaft) 1	
170247A Caged Needle Bearing, RO 2nd Drive Gear To Secondary Shaft (1.770" Thick) (22 Rollers) (Use 90236B) 1	
170247AB Caged Needle Bearing, RO 2nd Drive Gear To Secondary Shaft (.930" Thick) (Use 90260B) 1	
170250A Race, RO / MPRA 2nd Drum To Secondary Shaft 1	
90251B Thrust Bearing, RO / MPRA 1st Gear To Low Drum (Mainshaft) 1	
60252A Race, RO / MPRA 1st Gear To Low Drum (Mainshaft) 1	
170253AA Collar, RO 2nd Drum To Bearing (.663" Thick) (Secondary Shaft) 1	
170253AB Collar, RO 2nd Drum To Bearing (.665" Thick) (Secondary Shaft) 1	
170253AC Collar, RO 2nd Drum To Bearing (.667" Thick) (Secondary Shaft) 1	
170253AD Collar, RO 2nd Drum To Bearing (.669" Thick) (Secondary Shaft) 1	
170253AE Collar, RO 2nd Drum To Bearing (.671" Thick) (Secondary Shaft) 1	
170253AF Collar, RO 2nd Drum To Bearing (.673" Thick) (Secondary Shaft) 1	
170253AG Collar, RO 2nd Drum To Bearing (.675" Thick) (Secondary Shaft) 1	
170253AH Collar, RO 2nd Drum To Bearing (.677" Thick) (Secondary Shaft) 1	
170253AJ Collar, RO 2nd Drum To Bearing (.679" Thick) (Secondary Shaft) 1	
170253AL Collar, RO 2nd Drum To Bearing (.681" Thick) (Secondary Shaft) 1	
170253B Collar, MPRA 2nd Drum To Bearing (1.145" Thick) (Secondary Shaft) 1	
60254D Roller Bearing, RO / MPRA Bell Housing To Countershaft (2.442"OD) 1	
170255A Roller Bearing, RO / MPRA Case To Secondary Shaft 1	
170257A Bearing, RO / MPRA Thrust Collar To 3rd Gear (Countershaft) 1	
170259A Collar With Race, RO / MPRA Counter Shaft To 3rd Gear 1	
60260A Caged Needle Bearing, RO / MPRA Collar To 4th Gear # 223 (Mainshaft) (.930") (Also RO # 220) 1-2	
90260B Caged Needle Bearing, MPRA 2nd Drive Gear #247 (1.460"OD)(.930" Thick)(Can Use 60260C) 1	
60260C Roller Bearing, RO / MPRA 3rd Gear Countershaft (.930") (Also MPRA 4th Gear Mainshaft #220) 1-2	91028-PF4-A01
170263A Bearing, RO / MPRA Thrust Collar To 3rd Gear (Countershaft) 1	

PART #	WASHERS & BEARINGS (Continued)	QTY.	REFERENCE #
170267AA	Collar, RO / MPRA 2nd To 4th Gear (Countershaft) (.909" Thick)	1	
170267AB	Collar, RO / MPRA 2nd To 4th Gear (Countershaft) (.911" Thick)	1	
170267AC	Collar, RO / MPRA 2nd To 4th Gear (Countershaft) (.913" Thick)	1	
170267AD	Collar, RO / MPRA 2nd To 4th Gear (Countershaft) (.915" Thick)	1	
170267AE	Collar, RO / MPRA 2nd To 4th Gear (Countershaft) (.917" Thick)	1	
170267AF	Collar, RO / MPRA 2nd To 4th Gear (Countershaft) (.919" Thick)	1	
170267AG	Collar, RO / MPRA 2nd To 4th Gear (Countershaft) (.921" Thick)	1	
170268A	Caged Needle Bearing, RO / MPRA 4th Gear (Countershaft) (Use 90236B)	1	
170271A	Caged Needle Bearing, RO / MPRA Reverse Gear (Countershaft) (Use 90279B)	1	
170272A	Collar, RO / MPRA Reverse Gear (Countershaft) (Use 90278D)	1	
60274C	Ball Bearing, RO / MPRA Countershaft To Case (2.670"OD)	1	
60274CA	Ball Bearing, RO / MPRA Mainshaft To Case (2.952"OD)	1	
90278D	Collar W/Race, RO / MPRA Low Gear (Countershaft) (Also RO / MPRA Reverse Gear (Countershaft)	1-2	
90279B	Caged Needle Bearing, RO / MPRA Low Gear (Countershaft) (Also RO / MPRA Reverse Gear (Countershaft)	1-2	
80283	Cased Bearing, RO / MPRA Reverse Idler (14 Rollers)	1	
PART #	GASKETS & RUBBER COMPONENTS	QTY.	REFERENCE #
60313A	O-Ring, Honda Converter (OE Upgraded)(Fits On Converter Hub, Inside Of Drive Pump Gear)	1	
PART #	TECHNICAL MANUALS	QTY.	REFERENCE #
170400A	Technical Manual, RO (Integra) 1990	1	
PART #	ELECTRICAL COMPONENTS	QTY.	REFERENCE #
170420A	Solenoid Assembly, RO / MPRA Shift (On The Outside)	1	28200-PRO-010
170425A	Solenoid Assembly, RO / MPRA Lock-Up (On The Outside)	1	
170436A	Speed Sensor, RO/MPRA	1	
PART #	MISCELLANEOUS COMPONENTS	QTY.	REFERENCE #
60481E	Spring & Ball, RO/MPRA Reverse Idler	1	
PART #	HARD PARTS	QTY.	REFERENCE #
170529A	Converter Reactor, RO/MPRA	1	
60530C	Pump Gears, RO / MPRA (38 Spline Gear) 28 Teeth (.470" Thick)	1	
170550A	Drum, RO / MPRA 4th Clutch (Mainshaft) (Use 90555E)	1	
170552A	Drum, RO 2nd Clutch (Secondary Shaft) (1.455" Nose)	1	
170552B	Drum, MPRA 2nd Clutch (Secondary Shaft) (1.300" Nose)	1	
60554C	Drum, RO / MPRA Low Clutch (Mainshaft)	1	
90555E	Drum, RO / MPRA 3rd Clutch (Countershaft) (Also RO / MPRA 4th Clutch (Mainshaft)	1-2	
PART #	SPRAGS & ONE WAY CLUTCHES	QTY.	REFERENCE #
60658C	Sprag, RO / MPRA Low (Countershaft)	1	
PART #	HARD PARTS (Continued)	QTY.	REFERENCE #
170672A	Shaft, MPRA Main (39 Teeth) No Groove	1	
170672AA	Shaft, RO Main (34 Teeth) No Groove	1	
170672AB	Shaft, RO Main (32 Teeth) 1 Groove	1	
170675A	Shaft, RO Secondary (.195" Thick Flange)	1	
170675AA	Shaft, MPRA Secondary (.158" Thick Flange)	1	
170676A	Countershaft, RO / MPRA (14 Teeth)	1	
60689A	Plate, RO/MPRA Oil Guide	1	
60690E	Gear, RO / MPRA Park (Countershaft) (10 Lugs) 4 3/8"OD (3/8" Thick Lugs)	1	
170715A	Differential, RO (62 Teeth) 1 Groove (With Ball Bearings)	1	
170715AA	Differential, RO / MPRA (62 Teeth) 2 Groove (With Ball Bearings)	1	
170740A	Valve Body, RO / MPRA Less Pump Gears	1	
170747A	Plate, RO Valve Body Seperator Plate	1	
170747B	Plate, MPRA Valve Body Seperator Plate	1	
170750A	Bell Housing, RO	1	
170750B	Bell Housing, MPRA	1	
170759A	Rear Cover W/Tubes, RO / MPRA	1	

170760A	Case, RO / MPRA Main	1	
170776AK	Bolt Set, RO / MPRA Holds Case To Bell Housing	1	
170780AK	Bolt Set, RO / MPRA Holds Rear Cover To Case	1	
170782AK	Bolt Set, RO / MPRA Holds Servo To Valve Body (12 Bolts)	1	
30782K	Bolt Set, RO / MPRA Valve Body To Bell (4 Bolts)	1	
60795A	Nut, RO / MPRA Mainshaft (Left Hand Threads)	1	
60796E	Nut, RO / MPRA Countershaft (.845"ID) (Right Hand Threads)	1	90202-PF4-010
170800A	Gear, RO 1st (Mainshaft) (17 Teeth) (No Groove)	1	293407
170800B	Gear, MPRA 1st (Mainshaft) (17 Teeth) (1 Groove)	1	
170801A	Gear, MPRA 1st (Countershaft) (45 Teeth, 1 Groove)	1	
60801E	Gear, RO 1st (Countershaft) (45 Teeth, 4 Groove)	1	
170803A	Gear, RO 2nd (Secondary Shaft) (34 Teeth)	1	
170803AA	Gear, MPRA 2nd (Secondary Shaft) (39 Teeth)	1	
170803AB	Gear, RO 2nd (Secondary Shaft) (32 Teeth)	1	
170804A	Gear, RO 2nd (Countershaft) (40 Teeth) 1990	1	317973
170804AB	Gear, MPRA 2nd (Countershaft) (46 Teeth) 1991-93	1	358150
170805A	Gear, RO 2nd Drive (Secondary Shaft) (27 Teeth, No Groove)	1	
170805AA	Gear, RO 2nd Drive (Secondary Shaft) (26 Teeth, 1 Groove)	1	
170805AB	Gear, MPRA 2nd Drive (Secondary Shaft) (31 Teeth, No Groove)	1	
170807A	Gear, RO 3rd (Countershaft) (33 Teeth) 1990	1	
170807AA	Gear, MPRA 3rd (Countershaft) (38 Teeth) 1991-93	1	358154
170809A	Gear, RO 4th (Mainshaft) (40 Teeth) (2.620" Tall)	1	
170809AA	Gear, MPRA 4th (Mainshaft) (40 Teeth) (2.450" Tall)	1	
170809AB	Gear, RO 4th (Mainshaft) (37 Teeth)	1	
170810A	Gear, RO / MPRA 4th (Countershaft) (29 Teeth)	1	
170810AA	Gear, RO 4th (Countershaft) (30 Teeth)	1	
170816A	Gear, RO / MPRA Reverse (Countershaft) (40 Teeth)	1	
60818C	Gear, RO / MPRA Reverse Idler (24 Teeth)	1	
60819E	Pin, RO / MPRA Reverse Idler Support	1	
60820E	Bracket, RO / MPRA Reverse Idler	1	
60830CA	Selector, RO / MPRA Reverse (Countershaft) (2.275"OD Where Fork Rides) (Left Angled Teeth On Reverse Side, Pointed Teeth On 4th Gear Side)	1	
170835A	Hub, RO / MPRA Reverse (Countershaft)	1	
170840A	Shift Fork, RO / MPRA	1	
170850AA	Cushion, RO/MPRA (Replaces Belleville Spring)	1	
60850C	Cushion, RO / MPRA 2nd / 3rd / 4th Clutch (4.200"OD) (.078" Thick) (Waved Replaces Beveled Cushion)	1-3	
90850H	Cushion, RO/MPRA 4th Clutch (4.200"OD)(.072" Thick)	1	
170852A	Cushion, RO / MPRA 2nd Clutch (Use 60850C)	1	
170857A	Cushion, RO / MPRA Low Clutch	1	
60861C	Snap Ring, RO / MPRA Holds 4th Clutch Pressure Plate In Drum	1	
90861E	Snap Ring, RO / MPRA Holds Low / 2nd / 3rd Pressure Plate In Drum	1-3	
90862B	Snap Ring, RO / MPRA Low / 3rd Clutch (1.780"OD) (.145" Thick ID To OD) (Also MPRA 2nd Clutch)	1-3	
90862E	Snap Ring, RO / MPRA 4th Clutch (1.810"OD) (.097" Thick ID To OD)	1	
60870A	Snap Ring, RO/MPRA Snap Ring Holds #209 In Converter Reactor On Various Hondas	1	
170872A	Snap Ring, RO / MPRA Holds 2nd Clutch Pressure Plate In Drum (Use 90861E)	1	
170874A	Snap Ring, RO 2nd Clutch	1	
170874B	Snap Ring, MPRA 2nd Clutch (Use 90862B)	1	
60879C	Snap Ring, RO / MPRA Holds Caged Bearing To Mainshaft (Front)	1	
170880A	Wire Snap Ring, RO / MPRA Holds 4th Gear To Mainshaft (Use 60881A)	1	
60881A	Wire Snap Ring, RO / MPRA Holds 4th Gear To Mainshaft	1	
170881A	Snap Ring, RO / MPRA Holds Mainshaft Bearing To Case (Use 60884CA)	1	
170882A	Snap Ring, RO / MPRA Holds Race To Secondary Shaft	1	
60883C	Snap Ring, RO / MPRA Holds Secondary Shaft Bearing To Case	1	
170884A	Snap Ring, RO / MPRA Holds Bearing To Secondary Shaft	1	
60884C	Snap Ring, RO / MPRA Holds Countershaft Bearing To Case	1	
60884CA	Snap Ring, RO / MPRA Holds Mainshaft Bearing To Case	1	
170887AA	Split Washer, RO / MPRA Secondary Shaft (.079") (2 Per Pack)	1	
170887AB	Split Washer, RO / MPRA Secondary Shaft (.080") (2 Per Pack)	1	
170887AC	Split Washer, RO / MPRA Secondary Shaft (.081") (2 Per Pack)	1	
170887AD	Split Washer, RO / MPRA Secondary Shaft (.082") (2 Per Pack)	1	
170894A	Snap Ring, RO Holds Countershaft Bearing To Case (Use 60884C)	1	
90899BA	Snap Ring, RO/MPRA Differential Bearing To Case (.106")	1	
90899BB	Snap Ring, RO/MPRA Differential Bearing To Case (.108")	1	
90899BC	Snap Ring, RO/MPRA Differential Bearing To Case (.110")	1	
90899BD	Snap Ring, RO/MPRA Differential Bearing To Case (.112")	1	
90899BE	Snap Ring, RO/MPRA Differential Bearing To Case (.114")	1	
170900A	Servo Body Assembly, RO / MPRA	1	
170924A	Regulator, RO / MPRA	1	

PART #	HARD PARTS (Continued)	QTY.	REFERENCE #
170925A	Accumulator Assembly, RO / MPRA (Secondary Shaft Runs Through Body)	1	
90960E	Piston, RO / MPRA Low / 3rd / 4th Clutch (4.555"OD) (1.585"ID) (Also MPRA 2nd Clutch)	1-4	
170962A	Piston, RO 2nd Clutch	1	
170964A	Piston, RO / MPRA Low Clutch (Use 90960E)	1	
90970B	Spring, RO / MPRA Low / 4th Clutch (2.450"OD) (.238"OD Of Wire) (Also MPRA 2nd Clutch)	1-3	
90970BB	Spring, RO / MPRA 3rd Clutch (2.465"OD) (.268"OD Of Wire) Gold Colored Square Wire	1	
170972A	Spring, RO 2nd Clutch Return	1	
170972B	Spring, MPRA 2nd Clutch Return (Use 90970B)	1	
90980B	Retainer, RO / MPRA 3rd / 4th Clutch (2.450"OD) (1.600"ID) (Also MPRA 2nd Clutch)	1-3	
90980E	Retainer, RO / MPRA Low Clutch	1	
170982A	Retainer, RO 2nd Clutch Return	1	
170982B	Retainer, MPRA 2nd Clutch Return (Use 90980B)	1	
170993A	Shift Rod, RO / MPRA (Internal)	1	
170995A	Park Pawl Assembly, RO / MPRA	1	
80996	Fitting, RO / MPRA Cooler Line (1 1/2" Long) Holds Cooler Line To Bell	1	
80996A	Fitting, RO/MPRA Cooler Line (4 5/8" Long)	1	

