

000
P&R Kit

002
OHK Kit

004
Master L/Steels Kit

006
Master L/Steels Kit

011
Filter Kit

030
Bushing Kit

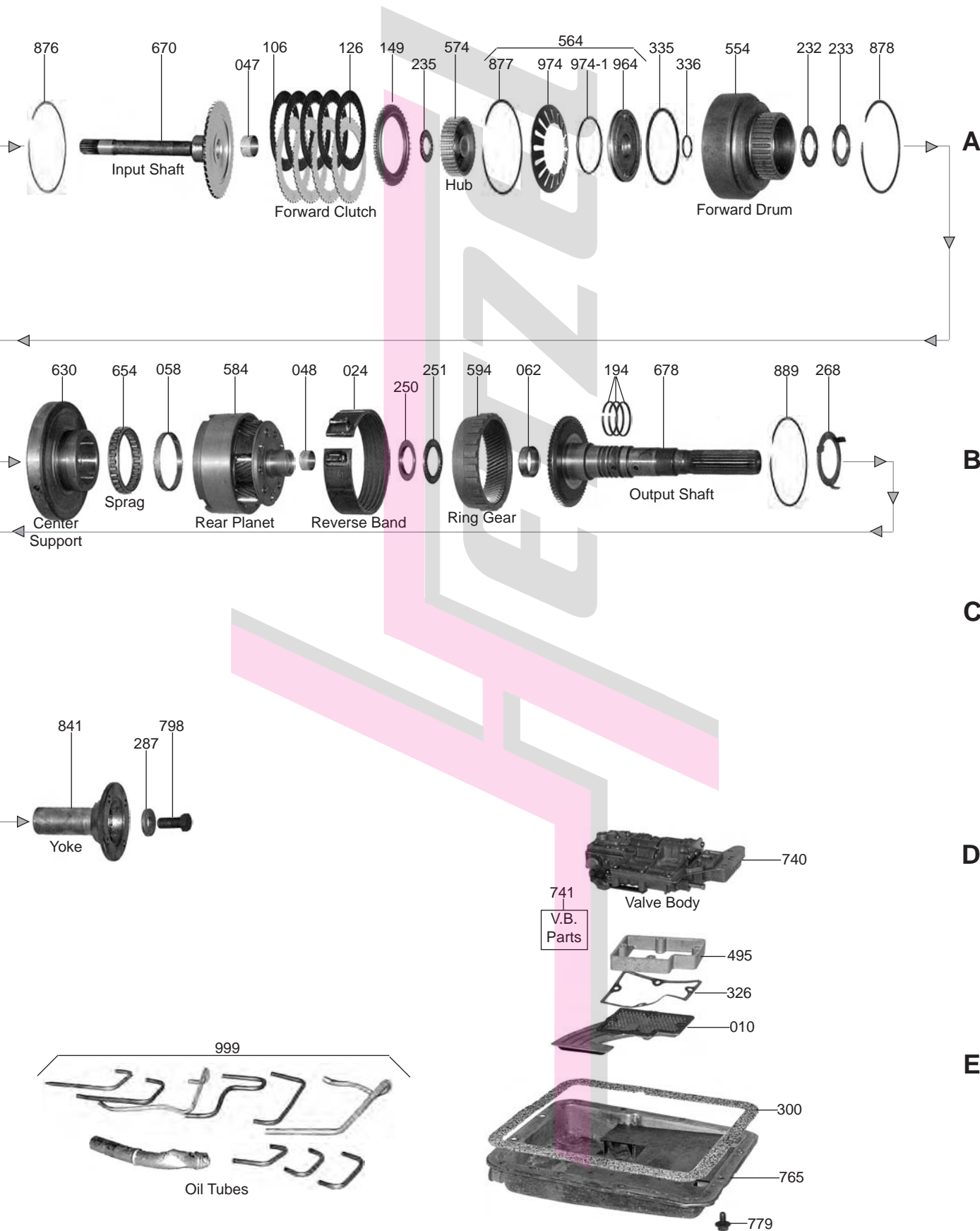
139
Steel Module

175
Ring Kit

200
Washer Kit

400
Tech Manual

BORG WARNER



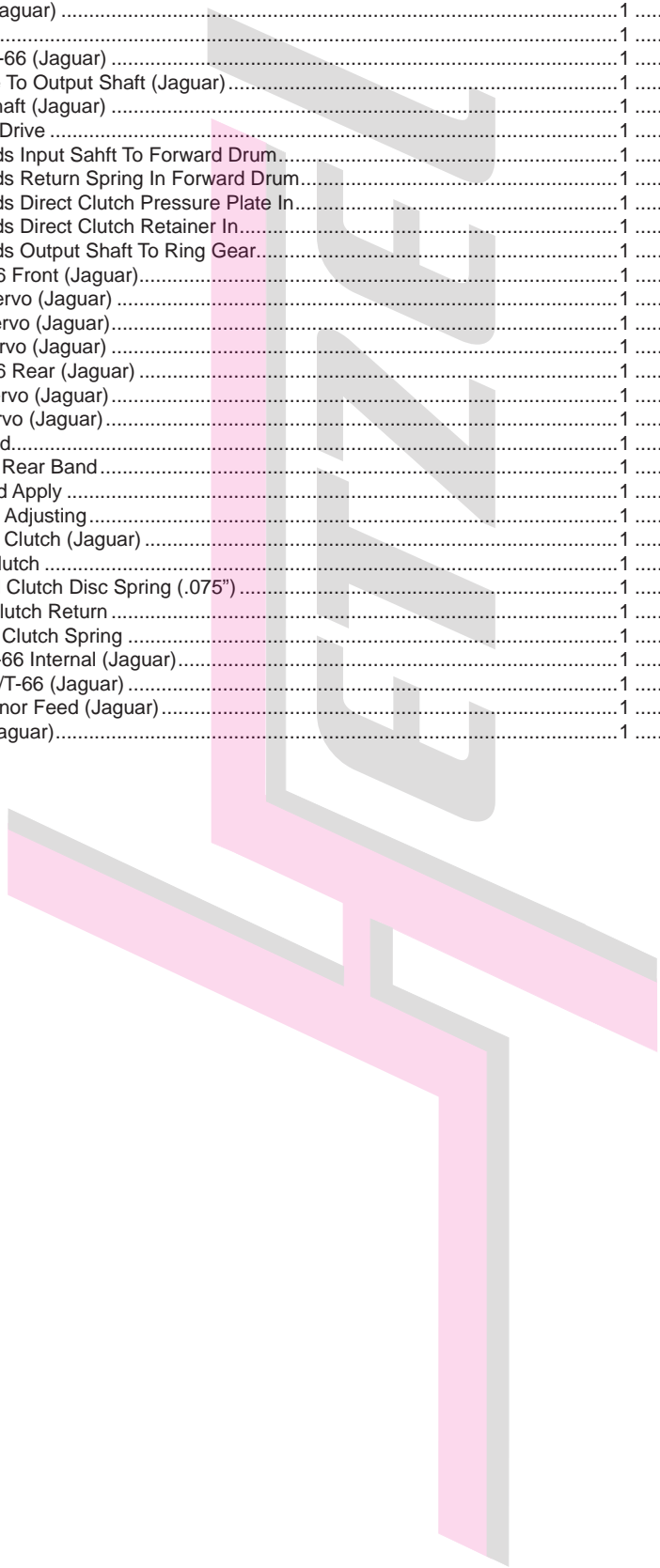
BORG WARNER

PART #	PAPER & RUBBER KIT	QTY.	REFERENCE #
29000.....	Paper & Rubber Kit, T-65/T-66 1971-Up	1	
PART #	OVERHAUL KITS	QTY.	REFERENCE #
29002.....	Overhaul Kit, T-65/T-66 1971-Up	1	
PART #	MASTER L/STEEL KIT	QTY.	REFERENCE #
29004.....	Master L/Steels Kit, T-65/T-66 1971-Up	1	
PART #	MASTER W/STEEL KIT	QTY.	REFERENCE #
29006.....	Master W/Steels Kit, T-65/T-66 1971-Up.....	1	
PART #	FILTER	QTY.	REFERENCE #
119010A.....	Filter, T-65/T-66 1971-Up	1	3188896
PART #	FILTER KIT	QTY.	REFERENCE #
29011.....	Filter Kit, T-65/T-66 1971-Up	1	
PART #	BANDS	QTY.	REFERENCE #
119022.....	Band, T-65/T-66 Front (Flex).....	1	
119024.....	Band, T-65/T-66 Rear.....	1	
PART #	BUSHINGS	QTY.	REFERENCE #
119030.....	Bushing Kit, T-65/T-66.....	1	
119034.....	Bushing, T-65/T-66 Pump Body	1	
119035.....	Bushing, T-65/T-66 Inner Pump Gear	1	
119036.....	Bushing, T-65 Stator (Front) 23 Spline Input Shaft	1	
119036A.....	Bushing, T-65 Stator (Front) 26 Spline Input Shaft	1	
119037.....	Bushing, T-65/T-66 Stator (Rear).....	1	
119047.....	Bushing, T-65/T-66 Input Shaft	1	
119048.....	Bushing, T-65/T-66 Sun Gear & Planet (Rear).....	2	
119058.....	Bushing, T-65/T-66 Planet (Front, Large).....	1	
119062.....	Bushing, T-65/T-66 Output Shaft.....	1	
119064.....	Bushing, T-65/T-66 Case.....	1	
119066.....	Bushing, T-65/T-66 Extension Housing (1.510"OD)(1.380"ID)(1.210" Long)(Babbit)	1	
PART #	METAL CLAD SEALS	QTY.	REFERENCE #
119070.....	Seal, T-65/T-66 Front (Except BMW)	1	3183886
29070.....	Seal, T-65/T-66 Front (BMW) 1973-Up	1	046-504-4001
29072.....	Seal, T-65/T-66 Linkage	1	
29074.....	Seal, T-65/T-66 Rear (Jaguar, Range Rover) (36 x 49.5 x 11mm)	1	
69074.....	Seal, T-65/T-66 Rear (BMW).....	1	
29078.....	Seal, T-65/T-66 Speed-O Shaft.....	1	
PART #	FRICTION CLUTCH	QTY.	REFERENCE #
119106.....	Friction, T-65/T-66 Front & Rear Clutch (.061") 1971-Up.....	8-10.....	
PART #	STEEL CLUTCH	QTY.	REFERENCE #
119126.....	Steel, T-65/T-66 Forward Clutch (.068") Flat.....	3-4.....	3164873
119128.....	Steel, T-65/T-66 Direct Clutch (.068") (Dished).....	4-5.....	3164863
119128X.....	Steel, T-65/T-66 Direct Clutch (.090") (Dished) Oversized.....	AR.....	
119139.....	Steel Module, T-65/T-66	1	
PART #	CLUTCH PRESSURE PLATES	QTY.	REFERENCE #
29146.....	Pressure Plate, T-65/T-66 Direct Clutch (Top).....	1	
29149.....	Pressure Plate, T-65/T-66 Forward Clutch (Bottom)	1	

PART #	OIL SEALING RINGS	QTY.	REFERENCE #
119175.....	Ring Kit, T-65/T-66 1971-Up.....	1	
PART #	WASHERS & BEARINGS	QTY.	REFERENCE #
29200.....	Washer Kit, T-65/T-66	1	
29211.....	Washer, T-65/T-66 Stator To Input Shaft	1	
29226.....	Bearing, T-65/T-66 Direct Drum (Inner).....	1	
29229.....	Bearing, T-65/T-66 Direct Drum To Sun Gear	1	
29232.....	Washer, T-65/T-66 Forward Drum To Direct Drum (Bronze).....	1	
29233.....	Washer, T-65/T-66 Forward Drum To Direct Drum (Steel)	1	
29235.....	Washer, T-65/T-66 Input Shaft To Forward Clutch Hub.....	1	3165043
29241.....	Bearing, T-65/T-66 Sun Gear To Planet.....	1	
29242.....	Race, T-65/T-66 Sun Gear To Planet (W/3 Flat Sides)	1	
29250.....	Race, T-65/T-66 Planet To Output Shaft	1	
29251.....	Bearing, T-65/T-66 Planet To Output Shaft	1	
29268.....	Washer, T-65/T-66 Output Shaft To Case	1	
PART #	GASKETS & RUBBER COMPONENTS	QTY.	REFERENCE #
29300.....	Gasket, T-65/T-66 Pan (Cork)	1	04650-45008V
29310.....	Gasket, T-65/T-66 Pump	1	
PART #	TECHNICAL MANUALS	QTY.	REFERENCE #
29400.....	Technical Manual, T-65/T-66 Jaguar	1	83-BW6566
PART #	HARD PARTS	QTY.	REFERENCE #
29500.....	Pump, T-65 (Jaguar)With 23 Spline Input Shaft.....	1	
29500A	Pump, T-66 (Jaguar)With 26 Spline Input Shaft.....	1	
29500B	Pump, T-65 (BMW).....	1	
29510.....	Pump Body W/Gears, T-65/T-66	1	
29520.....	Stator, T-65 (Jaguar) With 23 Spline Input Shaft.....	1	
29520A	Stator, T-66 (Jaguar) With 26 Spline Input Shaft.....	1	
29520B	Stator, T-65 (BMW).....	1	
29554.....	Drum, T-65/T-66 Forward Clutch.....	1	
29554B	Drum, T-65 (BMW) Forward Clutch.....	1	
29555.....	Drum, T-65/T-66 Direct Clutch W/Sun Gear.....	1	
29564.....	Piston Kit, T-65/T-66 Forward Clutch	1	
29565.....	Piston Kit, T-65/T-66 Direct Clutch	1	
29574.....	Clutch Hub, T-65/T-66 Forward Clutch.....	1	
29584.....	Planet, T-65/T-66 (Jaguar) Race # 242 Has 3 Flat Sides (For Planet W/Round Race Use 119584A).....	1	
29594.....	Ring Gear, T-65/T-66 Planet	1	
29614.....	Sun Gear, T-65/T-66 (Jaguar)	1	
29630.....	Center Support, T-65/T-66.....	1	
PART #	SPRAGS & ONE WAY CLUTCHES	QTY.	REFERENCE #
29654.....	Sprag, T-65/T-66	1	
29665.....	Outer Race, T-65/T-66 Inside Planet.....	1	
PART #	HARD PARTS (Continued)	QTY.	REFERENCE #
29670.....	Input Shaft, T-65/T-66 23 Spline (Jaguar)	1	
29670A	Input Shaft, T-65/T-66 26 Spline (Jaguar)	1	
29678.....	Output Shaft, T-65/T-66 (25 Spline) (8 15/16" Long) Jaguar.....	1	
29678B	Output Shaft, T-65/T-66 (25 Spline) (9 15/16" Long) Jaguar.....	1	
29680.....	Governor, T-65/T-66	1	
29740.....	Valve Body, T-65/T-66 (Jaguar).....	1	
PART #	VALVE BODY COMPONENTS	QTY.	REFERENCE #
S29741D-6K...	End Plug Kit, T-65/T-66 Modulator Valve (Plug & O-Ring) In Valve Body (Sonnax)	1	

PART #	HARD PARTS (Continued)	QTY.	REFERENCE #
29750.....	Bell Housing, T-65/T-66 (Jaguar)	1	
29760.....	Case, T-65/T-66 (Jaguar)	1	
29770.....	Extention Housing, T-65/T-66 (Jaguar)	1	
29798.....	Nut, T-65/T-66 Holds Yoke To Output Shaft (Jaguar)	1	
29841.....	Yoke, T-65/T-66 Output Shaft (Jaguar)	1	
29847.....	Gear, T-65/T-66 Speed-O Drive	1	
29876.....	Snap Ring, T-65/T-66 Holds Input Sahft To Forward Drum.....	1	
29877.....	Snap Ring, T-65/T-66 Holds Return Spring In Forward Drum.....	1	
29878.....	Snap Ring, T-65/T-66 Holds Direct Clutch Pressure Plate In.....	1	
29879.....	Snap Ring, T-65/T-66 Holds Direct Clutch Retainer In.....	1	
29889.....	Snap Ring, T-65/T-66 Holds Output Shaft To Ring Gear.....	1	
29905.....	Servo Assembly, T-65/T-66 Front (Jaguar).....	1	
29906.....	Spring, T-65/T-66 Front Servo (Jaguar)	1	
29907.....	Piston, T-65/T-66 Front Servo (Jaguar)	1	
29909.....	Cover, T-65/T-66 Front Servo (Jaguar)	1	
29910.....	Servo Assembly, T-65/T-66 Rear (Jaguar)	1	
29911.....	Spring, T-65/T-66 Rear Servo (Jaguar)	1	
29914.....	Cover, T-65/T-66 Rear Servo (Jaguar)	1	
29916.....	Strut, T-65/T-66 Front Band.....	1	
29917.....	Strut Assembly, T-65/T-66 Rear Band.....	1	
29919.....	Strut, T-65/T-66 Rear Band Apply	1	
29920.....	Bolt, T-65/T-66 Rear Band Adjusting	1	
29964.....	Piston, T-65/T-66 Forward Clutch (Jaguar)	1	
29965.....	Piston, T-65/T-66 Direct Clutch	1	
29974.....	Spring, T-65/T-66 Forward Clutch Disc Spring (.075")	1	4486217
29975.....	Spring, T-65/T-66 Direct Clutch Return	1	
29985.....	Retainer, T-65/T-66 Direct Clutch Spring	1	
29991.....	Linkage Assembly, T-65/T-66 Internal (Jaguar).....	1	
29995.....	Park Pawl Assembly, T-65/T-66 (Jaguar)	1	
29999.....	Oil Tube, T-65/T-66 Governor Feed (Jaguar).....	1	
29999A.....	Oil Tube Set, T-65/T-66 (Jaguar).....	1	

BORG WARNER



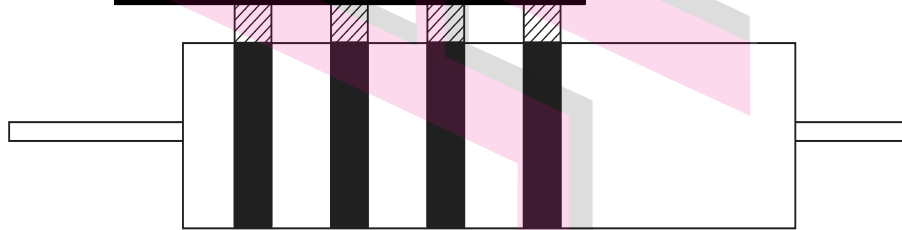
Resistor Values

If you can read the bands on a ceramic resistor, you can determine its resistance value and its tolerance:

- The first two bands indicate the first two digits of its resistance value.
- The third band indicates the number of zeros to add.
- The fourth band indicates the tolerance.

Resistance Values				
Color	1 st Band	2 nd Band	3 rd Band	4 th Band
Black	0	0	0	—
Brown	1	1	1	—
Red	2	2	2	—
Orange	3	3	3	—
Yellow	4	4	4	—
Green	5	5	5	—
Blue	6	6	6	—
Violet	7	7	7	—
Gray	8	8	8	—
White	9	9	—	—
Brown	—	—	—	1%
Gold	—	—	—	5%
Silver	—	—	—	10%
Plain	—	—	—	20%

Brown
1%



So if the bands are:

Blue	Green	Yellow	Silver	=	650 kΩ, ±10%
6	5	0,000	±10%		
Red	Violet	Brown	Gold	=	270 Ω, ±5%
2	7	0	±5%		
White	Orange	Violet	Plain	=	930 MΩ, ±20%
9	3	0,000,000	±20%		

The resistor value is:

© 2006 ATRA. All Rights Reserved.