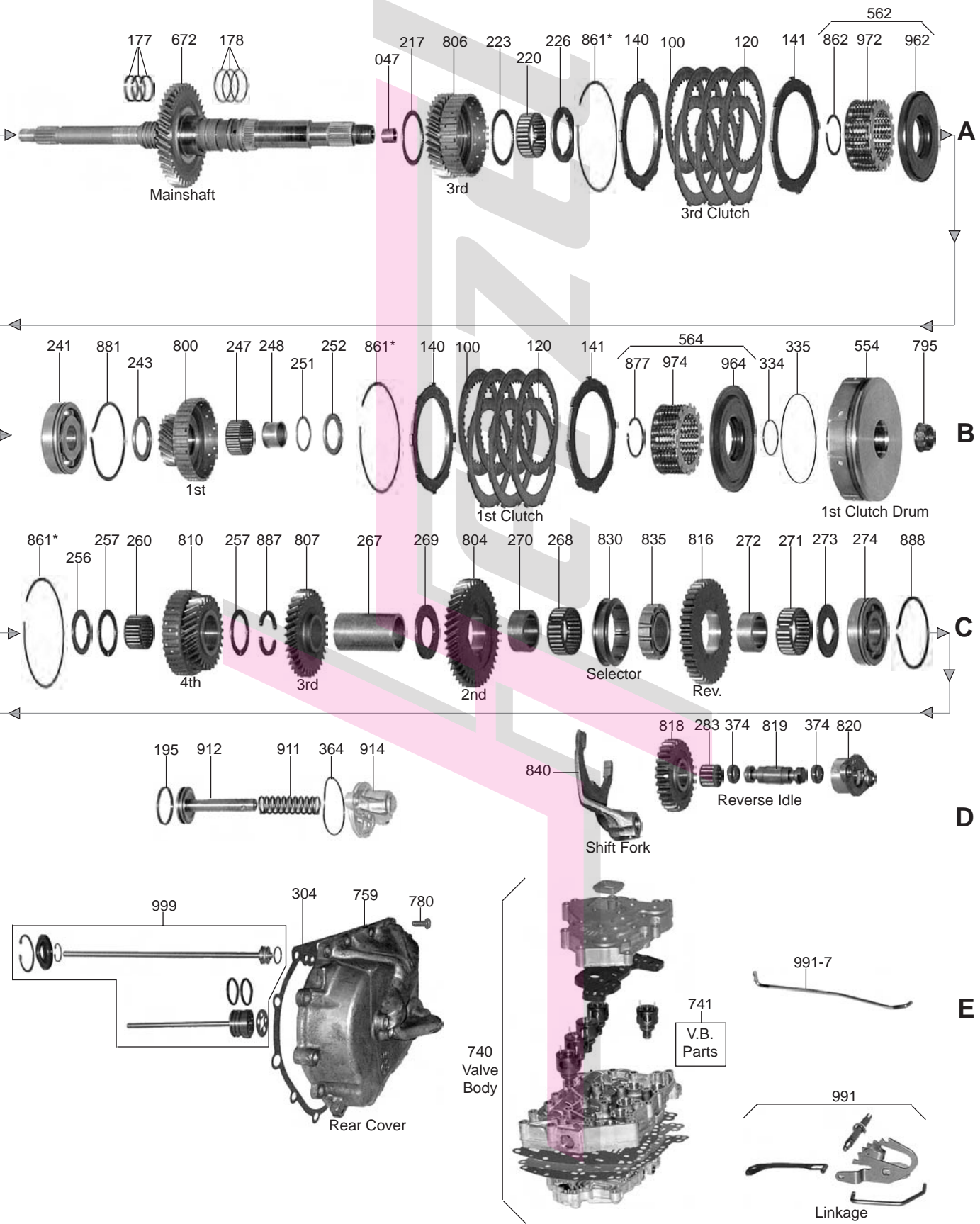


- 000 P&R Kit
- 002 OHK Kit
- 004 Master L/Steel Kit
- 006 Master W/Steel Kit
- 030 Bushing Kit
- 175 Ring Kit
- 400 Tech Manual



PART #	PAPER & RUBBER KIT	QTY.	REFERENCE #
10000A	Paper & Rubber Kit, Saturn (With Out Bonded Pistons) 1991-Up	1	
PART #	OVERHAUL KITS	QTY.	REFERENCE #
10002A	Overhaul Kit, Saturn (For Bonded Pistons Sell 3-10962A & 1-10964A) 1991-Up	1	
PART #	MASTER L/STEEL KIT	QTY.	REFERENCE #
10004AP	Use 10006AP (Frictions & Steels Are 1 Sided) There Is No Less Steels Kit	1	
PART #	MASTER W/STEEL KIT	QTY.	REFERENCE #
10006A	Master W/Steels Kit, Saturn (For Bonded Pistons Sell 3-10962A & 1-10964A) 1991-Up	1	
PART #	FILTER	QTY.	REFERENCE #
10010A	Filter, Saturn Sump (Internal) 1991-Up	1	21002346
10013A	Filter, Saturn (Spin-On) External 1991-Up	1	21002303
PART #	MISC. FILTERS	QTY.	REFERENCE #
10015	Filter, Saturn Thimble Screen (Small) 1991-Up	1	
10017	Filter, Saturn Thimble Screen (Large) 1991-Up	1	
PART #	BUSHINGS	QTY.	REFERENCE #
10030A	Bushing Kit, Saturn 1991-Up	1	
10047A	Bushing, Saturn Mainshaft (Rear) (Also Fits Countershaft (Rear) # 052) 1991-Up	1-2	
10052A	Use 10047A	1	
PART #	METAL CLAD SEALS	QTY.	REFERENCE #
10070A	Seal, Saturn Front 1991-Up3	1	21001660
10072A	Seal, Saturn Linkage Shaft	1	21001532
10074A	Seal, Saturn Rear Cover To Pinion Shaft Pilot (Black Plastic)	1	21001662
10076AA	Seal, Saturn Left Axle (Case Side)	1	21002283
10077A	Seal, Saturn Right Axle (Bell Housing Side)	1	
10077AB	Seal, Saturn Right Axle (Bell Housing Side) (With Rock Shield)	1	
PART #	FRICION CLUTCH	QTY.	REFERENCE #
10100A	Friction, Saturn (All Drums) .061" (With 1 Sided Friction) Internal Splines (Use With 10120A & 10141A)	15	21002870
PART #	STEEL CLUTCH	QTY.	REFERENCE #
10120A	Steel, Saturn (All Drums) .061" (With 1 Sided Friction) External Splines (Use With 10100A & 10141A)	11	21002871
PART #	CLUTCH PRESSURE PLATES	QTY.	REFERENCE #
10140A	Pressure Plate, Saturn (All Drums) Top	4	21001597
10141A	Apply Plate, Saturn (All Drums) .130" (With 1 Sided Friction) External Splines (Use With 10100A & 10120A)	4	21002567
PART #	OIL SEALING RINGS	QTY.	REFERENCE #
10175A	Ring Kit, Saturn 1991-Up	1	
10195AT	Ring, Saturn Servo Piston (Teflon) 1991-04	1	21002298
PART #	WASHERS & BEARINGS	QTY.	REFERENCE #
10208A	Washer, Saturn Under Counter Shaft Nut	1	
10211A	Bearing, Saturn Converter Nut To Bell Housing	1	
10214A	Roller Bearing, Saturn Converter Reactor To Mainshaft	1	
10217A	Thrust Bearing, Saturn Mainshaft To 3rd Gear	1	
10220A	Roller Bearing, Saturn 3rd Gear To Mainshaft	1	
10223A	Thrust Bearing, Saturn 3rd Gear To 2nd/3rd Drum	1	

10226A Race, Saturn 3rd Gear To 2nd/3rd Drum	1
10229A Race, Saturn 2nd/3rd Drum To 2nd/Reverse Gear	1
10232A Thrust Bearing, Saturn 2nd/3rd Drum To 2nd/Reverse Gear	1
10234A Collar, Saturn Mainshaft To 2nd/Reverse Gear	1
10236A Roller Bearing, Saturn 2nd/Reverse Gear To Collar	1
10238A Thrust Bearing, Saturn 2nd/Reverse Gear To Ball Bearing	1
10238AA Thrust Bearing With Race, Saturn 2nd/Reverse Gear To Ball Bearing	1
10241A Ball Bearing, Saturn Mainshaft To Case	1
10243A Thrust Washer, Saturn Ball Bearing To 1st Gear (Mainshaft)	1
10247A Roller Bearing, Saturn 1st Gear To Mainshaft	1
10248A Collar, Saturn 1st Gear To Mainshaft	1
10251A Thrust Bearing, Saturn 1st Gear To 1st Clutch Drum (Mainshaft)	1
10252A Race, Saturn 1st Gear To 1st Clutch Drum (Mainshaft)	1
10254A Roller Bearing, Saturn Bell Housing To Countershaft	1
10256A Race, Saturn 4th Clutch Drum To 4th Gear (Countershaft)	1
10257A Thrust Bearing, Saturn 4th Clutch Drum To 4th Gear (Countershaft) And 4th Gear To 3rd Gear (Countershaft)	1
10260A Roller Bearing, Saturn 4th Gear To Countershaft	1
10267A Collar, Saturn 3rd Gear To 2nd Gear (Countershaft)	1
10268A Roller Bearing, Saturn 2nd Gear To Countershaft (1.575"OD)	1
10268B Roller Bearing, Saturn 2nd Gear To Countershaft (1.810"OD)	1
10269A Race, Saturn Collar To 2nd Gear (Countershaft)	1
10270A Collar, Saturn 2nd Gear To Countershaft	1
10271A Roller Bearing, Saturn Reverse Gear To Countershaft	1
10272A Collar, Saturn Reverse Gear To Countershaft	1
10273A Race, Saturn Reverse Gear To Ball Bearing (Countershaft)	1
10274A Ball Bearing, Saturn Countershaft To Case	1
10281A Retainer, Saturn Holds Sprag In	1
10283A Roller Bearing, Saturn Reverse Idler Gear To Shaft	1
10285A Roller Bearing, Saturn 1st Gear To Inner Sprag Race (Countershaft)	1
10289A Ball Bearing, Saturn Differential (Both Sides)	1

PART #	GASKETS	QTY.	REFERENCE #
10302A Gasket, Saturn Top Pan 1991-96	1 21001683
10302BW Gasket, Saturn Top Pan (Molded Rubber) 1997-02	1
10304A Gasket, Saturn Rear Cover To Case 1991-Up	1 21001684
10318A Gasket, Saturn Bell Housing To Case 1991-Up	1 21003108
10320A Gasket, Saturn Valve Body Spacer Plate (Upper & Lower) (Takes 2) 1993-96	2
10320B Gasket, Saturn Valve Body Spacer Plate (Upper & Lower) (Takes 2) 1997-04	2
10374A O-Ring, Saturn Idler Gear Shaft (Takes 2) 1991-04	2

PART #	TECHNICAL MANUALS	QTY.	REFERENCE #
10400A Technical Manual, Saturn (TAAT) 1991-Up	1 Saturn TAAT

PART #	ELECTRICAL COMPONENTS	QTY.	REFERENCE #
10410A Neutral Switch, Saturn	1 21020129
10410AB Neutral Switch, Saturn (SL2) 1995	1
10421A Actuator, Saturn Shift (Solenoid) Blue Top 1991-92	5 21002248
10421AA Actuator, Saturn Shift (Solenoid) Red Top 1993-96	5 21002509
10421AB Actuator, Saturn Shift (Solenoid) Red Top 1997-Up	5
10421AC Actuator, Saturn Shift (Solenoid) White Top 1997-Up (Retro Fits 1993-Up)	5
10436A Sensor, Saturn Output Speed (VSS) & Input Speed	1
10437A Sensor, Saturn Oil Temperature (2 Prong)	1
10438A Use 10436A	1
10444A Connector, Saturn Actuator 1991-Up	1 2100828
10446A Repair Kit, Saturn Wire Harness (External)(Rostra) 1995-Up	1

PART #	MISC. COMPONENTS	QTY.	REFERENCE #
10494A Filler Tube, Saturn	1

PART #	HARD PARTS	QTY.	REFERENCE #
10500A Pump Assembly, Saturn	1

PART #	PUMP COMPONENTS	QTY.	REFERENCE #
10507A-4K.....	Retainer/Clip Kit, Saturn Lube Relief Valve (Has 3 Retainers & 3 Clips) Fixes 3 Transmissions ...	1	
10529A	Converter Reactor, Saturn (Stator Tube) 18 Splines.....	1	21003132
10529B	Converter Reactor, Saturn (Stator Tube) 29 Splines (4 1/2" Long)	1	
10530A	Pump Gears, Saturn	1	
10544A	Plate, Saturn Pump To Bell Housing	1	

PART #	HARD PARTS (Continued)	QTY.	REFERENCE #
10550A	Drum, Saturn 4th Clutch.....	1	21003100
10552A	Drum, Saturn 2nd & 3rd Clutch	1	21001946
10554A	Drum, Saturn 1st Clutch	1	21001943
10562A	Piston Kit, Saturn For 2nd, 3rd & 4th Clutch Drums.....	3	
10564A	Piston Kit, Saturn 1st Clutch Drum.....	1	

PART #	SPRAGS & ONE WAY CLUTCHES	QTY.	REFERENCE #
10652A	Sprag, Saturn Input	1	21001594
10662A	Inner Race, Saturn Sprag	1	

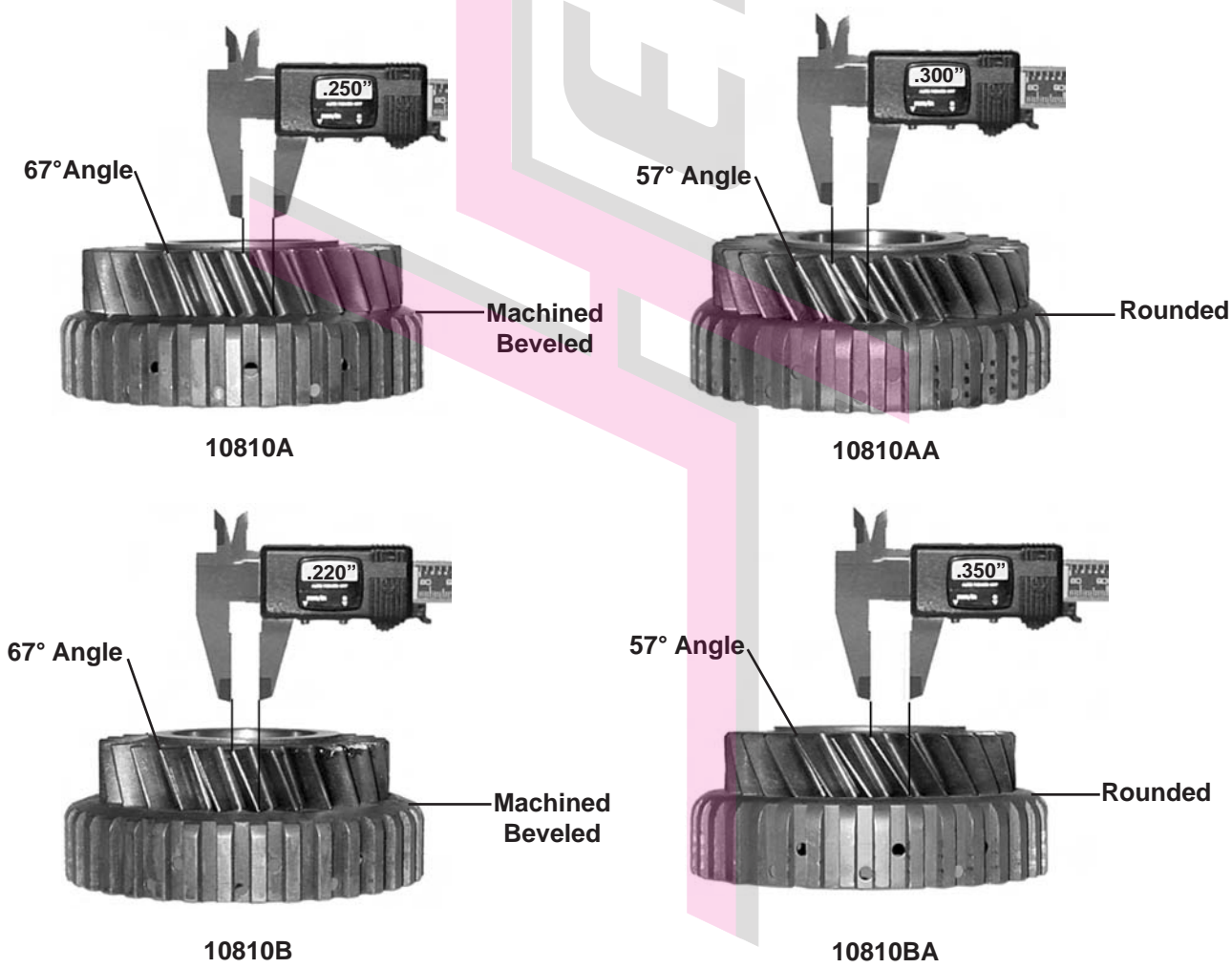
PART #	HARD PARTS (Continued)	QTY.	REFERENCE #
10672A	Mainshaft, Saturn (40 Teeth) (.460" Thick Gear).....	1	21001729
10672AA.....	Mainshaft, Saturn (40 Teeth) (.490" Thick Gear).....	1	21002104
10672B	Mainshaft, Saturn (42 Teeth) (.450" Thick Gear).....	1	21002188
10672BA.....	Mainshaft, Saturn (42 Teeth) (.490" Thick Gear) No Groove Under # 234 Race	1	
10672BB.....	Mainshaft, Saturn (42 Teeth) (.490" Thick Gear) 2 Grooves Under #234 Race.....	1	
10676A	Countershaft , Saturn Output Shaft (15 Teeth).....	1	
10676B	Countershaft, Saturn Output Shaft (16 Teeth).....	1	
10676C.....	Countershaft, Saturn Output Shaft (17 Teeth).....	1	
10676D.....	Countershaft, Saturn Output Shaft (18 Teeth).....	1	
10715A	Differential Assembly, Saturn With 62 Teeth Ring Gear 1991-94.....	1	21002752
10715B	Differential Assembly, Saturn With 65 Teeth Ring Gear 1995-98.....	1	
10740A	Valve Body, Saturn 1st Design (With TCC Enable Valve In Lower Valve Body Section) 1991-92 Has A Flat Area On Manual Valve	1	21002273
10740AA.....	Valve Body, Saturn 2nd Design (No TCC Enable Valve In Lower Valve Body Section) 1992-93 No Plastic End On Manual Shaft	1	
10740B	Valve Body, Saturn 3rd Design 1994-Up (With Plastic End On Manual Valve) 1992-02 (Complete Valve Body, Fully Tested, Ready To Install) Has Sonnax Part # S10741P-1AK And S10741P-2K Installed	1	21005971
10740BK.....	Valve Body, Saturn With Plate & Gaskets 1994-2001 (Does Not Come With Actuators, Plate Or Cover) Use 10740B	1	

PART #	VALVE BODY COMPONENTS	QTY.	REFERENCE #
A10741C-9	O-Ring, Saturn (TAAT) TCC Shift Valve Plunger (Small) 1991-04	1	
S10741PK	Sure Cure Kit, Saturn (TAAT) (Sonnax) (Use Tool # T-95200-TL)	1	
S10741P-1.....	Valve, Saturn Pressure Regulator.....	1	
S10741P-1AK.	Valve & Sleeve Assembly, Saturn Pressure Regulator Boost (Type 2 Valve Body) 2 O-Ring Type (Sonnax).....	1	
S10741P-2K ...	Sleeve Assembly, Saturn Pressure Regulator (Sleeve & Retainer) Use With T-95200-TL Reamer (Sonnax).....	1	
T-95200-TL.....	Reamer Assembly, Saturn (Use With S10741P-2K) (Sonnax).....	1	
S10741P-3.....	Spring, Saturn Line Pressure Regulator (Sonnax).....	1	

PART #	HARD PARTS (Continued)	QTY.	REFERENCE #
10750A	Bell Housing, Saturn (With Raised Mounting Boss At 3:00) No Threaded Mounting Bosses Around Differential Seal.....	1	21001711
10750AA.....	Bell Housing, Saturn (With Raised Mounting Boss At 3:00) With 3 Threaded Mounting Bosses Around Differential Seal (Cast # 21002323).....	1	
10750AB.....	Bell Housing, Saturn (With Raised Mounting Boss At 3:00) With 3 Threaded Mounting Bosses Around Differential Seal (No Cast #)	1	
10750AC.....	Bell Housing, Saturn (With Unthreaded Raised Boss At 3:00) No Mounting Holes Around Differential Seal (Cast # 2100323)	1	
10750AD.....	Bell Housing, Saturn (With Unthreaded Raised Boss At 3:00) No Mounting Holes Around Differential Seal (Cast # 21002656)	1	
10750B	Bell Housing, Saturn (No Raised Mounting Boss At 3:00) No Threaded Mounting Bosses Around Differential Seal (Cast # 21002550)	1	21003222

10750BA.....	Bell Housing, Saturn (No Raised Mounting Boss At 3:00) No Threaded Mounting Bosses	1	
Around Differential Seal (Cast # 21003342)	1	
10759A.....	Cover, Saturn Rear (With Tubes)(Mainshaft Tube Bolts To The Inside Of Cover)	1	21002421
10759B.....	Cover, Saturn Rear (With Tubes)(Mainshaft Tube Bolts To The Outside Of Cover)	1	
10760A.....	Case, Saturn (All 1991) (1992 With VIN # NZ200101 Thru NZ205624)	1	21002449
10760AA.....	Case, Saturn (1992 With VIN # To NZ200100 & 1993-96 With VIN # NZ205625 & Up)	1	21002622
10767A.....	Pan, Saturn Top.....	1	21001584
10795A.....	Nut, Saturn Mainshaft	1	21001680
10796A.....	Nut, Saturn Countershaft	1	21001679
10800A.....	Gear, Saturn 1st Drive (19 Teeth).....	1	21002072
10800B.....	Gear, Saturn 1st Drive (21 Teeth).....	1	21001640
10801A.....	Gear, Saturn 1st Driven (47 Teeth)	1	21001549
10801B.....	Gear, Saturn 1st Driven (48 Teeth) 1 Groove.....	1	21002065
10801BA.....	Gear, Saturn 1st Driven (48 Teeth) No Groove.....	1	
10803A.....	Gear, Saturn 2nd/Reverse Drive (30 Teeth).....	1	21002073
10803B.....	Gear, Saturn 2nd/Reverse Drive (27 Teeth).....	1	21001641
10804A.....	Gear, Saturn 2nd Driven (38 Teeth) (1.575"ID)	1	21002067
10804AA.....	Gear, Saturn 2nd Driven (38 Teeth) (1.810"ID)	1	
10804B.....	Gear, Saturn 2nd Driven (42 Teeth) (1.575"ID)	1	21001553
10804BA.....	Gear, Saturn 2nd Driven (42 Teeth) (1.810"ID)	1	
10806A.....	Gear, Saturn 3rd Drive (37 Teeth)	1	21001599
10806B.....	Gear, Saturn 3rd Drive (33 Teeth)	1	21001643
10807A.....	Gear, Saturn 3rd Driven (30 Teeth)	1	21001555
10807B.....	Gear, Saturn 3rd Driven (34 Teeth)	1	21001591
10810A.....	Gear, Saturn 4th Driven (28 Teeth) Fits Mainshaft #10672A With A 40 Teeth .460" Thick Gear	1	21001600
10810AA.....	Gear, Saturn 4th Driven (28 Teeth) Fits Mainshaft #10672AA With A 40 Teeth .490" Thick Gear	1	
10810B.....	Gear, Saturn 4th Driven (25 Teeth) Fits Mainshaft #10672B & # 10672BA With A 42 Teeth Gear	1	21001642
10810BA.....	Gear, Saturn 4th Driven (25 Teeth) Fits Mainshaft #10672BB With A 42 Teeth Gear	1	

SATURN



PART #	HARD PARTS (Continued)	QTY.	REFERENCE #
10816A	Gear, Saturn Reverse Driven (40 Teeth) (.450" Thick Teeth)	1	21001579
10816AA	Gear, Saturn Reverse Driven (40 Teeth) (.510" Thick Teeth)	1	
10818A	Gear, Saturn Reverse Idler (27 Teeth)	1	21002429
10819A	Pin, Saturn Inside Reverse Idler Gear	1	21002756
10820A	Bracket, Saturn Reverse Idler Gear	1	
10830A	Selector, Saturn 2nd & Reverse	1	21001784
10835A	Hub, Saturn 2nd & Reverse Selector	1	21001568
10840A	Fork, Saturn 2nd & Reverse Shifting 1991-92	1	21005969
10840AA	Fork, Saturn 2nd & Reverse Shifting 1993-96	1	21002617
10861A	Snap Ring, Saturn Holds Pressure Plate In Drum	4	21002290
10862A	Snap Ring, Saturn Holds Retainer In 2nd, 3rd & 4th Clutch Drum	3	21001626
10877A	Snap Ring, Saturn Holds Retainer In 1st Clutch Drum	1	21002178
10878A	Snap Ring, Saturn Holds Front Seal To Bell Housing	1	21002143
10879A	Snap Ring, Saturn Holds Bearing (Under Front Seal) To Bell Housing	1	21002275
10880A	Snap Ring, Saturn Holds Bearing In Converter Reactor	1	
10881A	Snap Ring, Saturn Holds Ball Bearing (On Mainshaft) To Case	1	
10887A	Retainer, Saturn Horse Shoe Clips	1	21002173
10888A	Snap Ring, Saturn Holds Ball Bearing (On Countershaft) To Case	1	
10890A	Snap Ring, Saturn Holds 4th Clutch Feed Pipe To Rear Cover (Large Outer)	1	
10891A	Snap Ring, Saturn Holds 4th Clutch Feed Pipe To Rear Cover (Small Inner)	1	
10898AA	Snap Ring, Saturn Under Seal (Case Side) (.051" Thick)	1	21002329
10898AB	Snap Ring, Saturn Under Seal (Case Side) (.055" Thick)	1	21002324
10898AC	Snap Ring, Saturn Under Seal (Case Side) (.059" Thick)	1	21002325
10898AD	Snap Ring, Saturn Under Seal (Case Side) (.063" Thick)	1	21002326
10898AE	Snap Ring, Saturn Under Seal (Case Side) (.067" Thick)	1	21002327
10898AF	Snap Ring, Saturn Under Seal (Case Side) (.071" Thick)	1	21002328
10898AG	Snap Ring, Saturn Under Seal (Case Side) (.075" Thick)	1	21002330
10898AH	Snap Ring, Saturn Under Seal (Case Side) (.079" Thick)	1	21002331
10899A	Snap Ring, Saturn Holds Axle Seal In Case	1	21002436
10911A	Spring, Saturn Servo (2.050" Long) 1991-92 (Up To VIN# NZ205624)	1	21002553
10911AA	Spring, Saturn Servo (2.450" Long) 1992-96 (With VIN # NZ205625 & Up)	1	21002626
10912A	Piston, Saturn Servo (1st Design) 1991-92 (Up To VIN# NZ205624)	1	21002552
10912AA	Piston, Saturn Servo (2nd Design) 1992-96 (With VIN# NZ205625 & Up)	1	21002547
10914A	Cover, Saturn Servo	1	
10962A	Piston, Saturn For 2nd, 3rd & 4th Clutch Drums	3	21001582
10964A	Piston, Saturn 1st Clutch Drum	1	21001581
10972A	Retainer W/Spring, Saturn 2nd, 3rd & 4th Clutch Drums	3	21001616
10974A	Retainer W/Spring, Saturn 1st Clutch Drum	1	21002178
10991A	Linkage Assembly, Saturn Internal	1	
10991-7A	Linkage, Saturn Rooster Comb To Park Pawl Assembly (8 3/8" Long)	1	
10992A	Shift Lever, Saturn External	1	
10995A	Park Pawl Assembly, Saturn	1	21002371
10999A	Use 10759A or 10759B	1	
10759A	Cover, Saturn Rear (With Tubes)(Mainshaft Tube Bolts To The Inside Of Cover)	1	21002421
10759B	Cover, Saturn Rear (With Tubes)(Mainshaft Tube Bolts To The Outside Of Cover)	1	



Saturn TAAT Delay in 'D' and/or Bind in Reverse

Complaint:

Before or after overhaul, Saturn vehicles equipped with the MP6 or MP7 transaxle may exhibit a slight engagement delay in "D" and/or a binding condition in reverse.

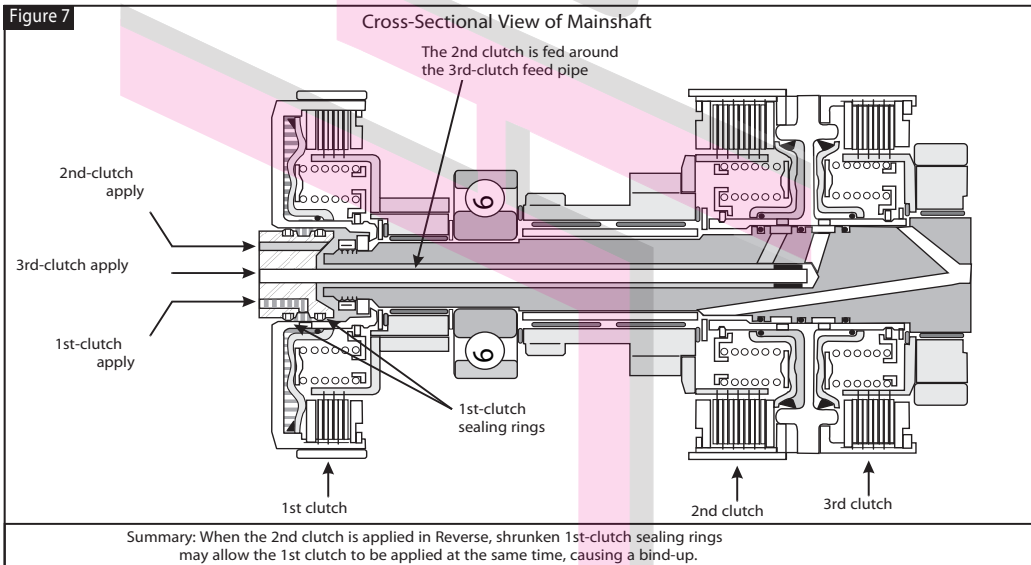
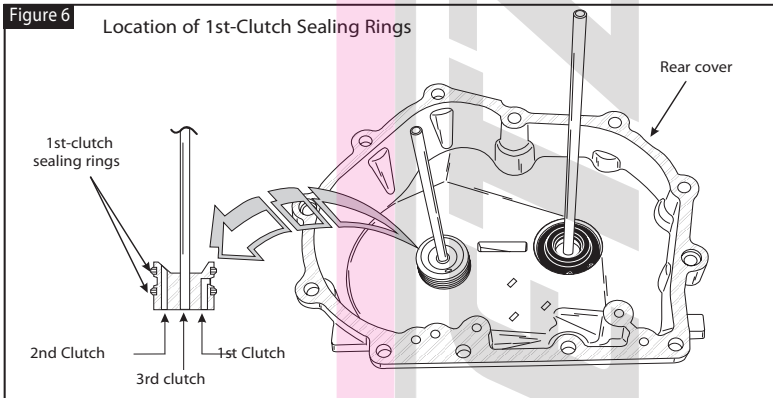
Cause:

The cause may be shrunken or damaged 1st-clutch sealing rings, as shown in Figure 6. When these rings leak they can cause a slow fill of the 1st clutch, which results in a delayed engagement in "D."

The first sealing ring also separates the 2nd clutch from the 1st clutch. When this ring leaks while in the Reverse range, the 1st clutch can now be applied with 2nd-clutch pressure, which results in a bind-up. See Figure 7 for a cross-sectional view of the mainshaft.

Correction:

Replace the 1st-clutch sealing rings as part of every overhaul. **TD**



To subscribe to Transmission Tech/Talk, call toll-free 800-274-7890.

©2006 Transmission Digest

SATURN