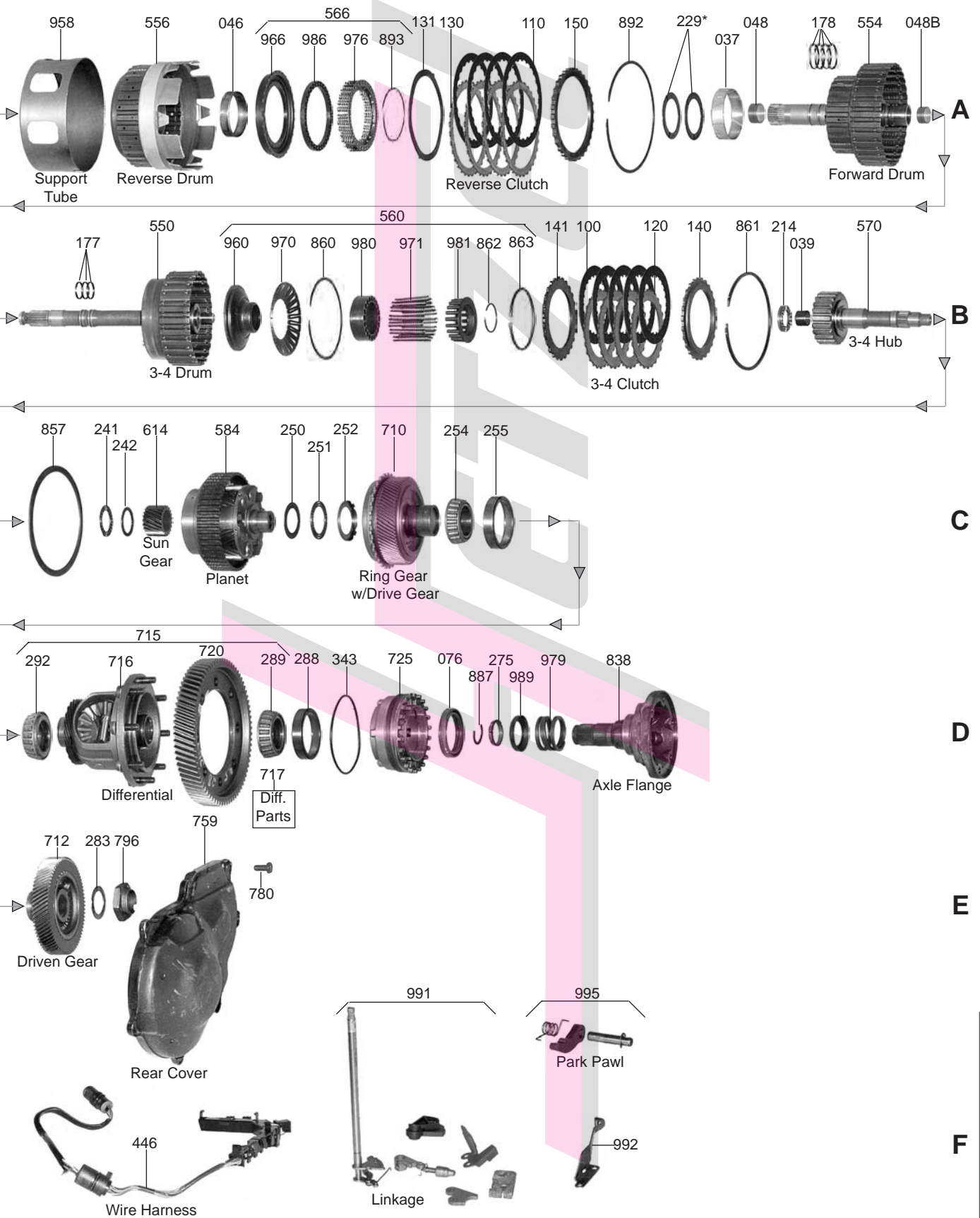
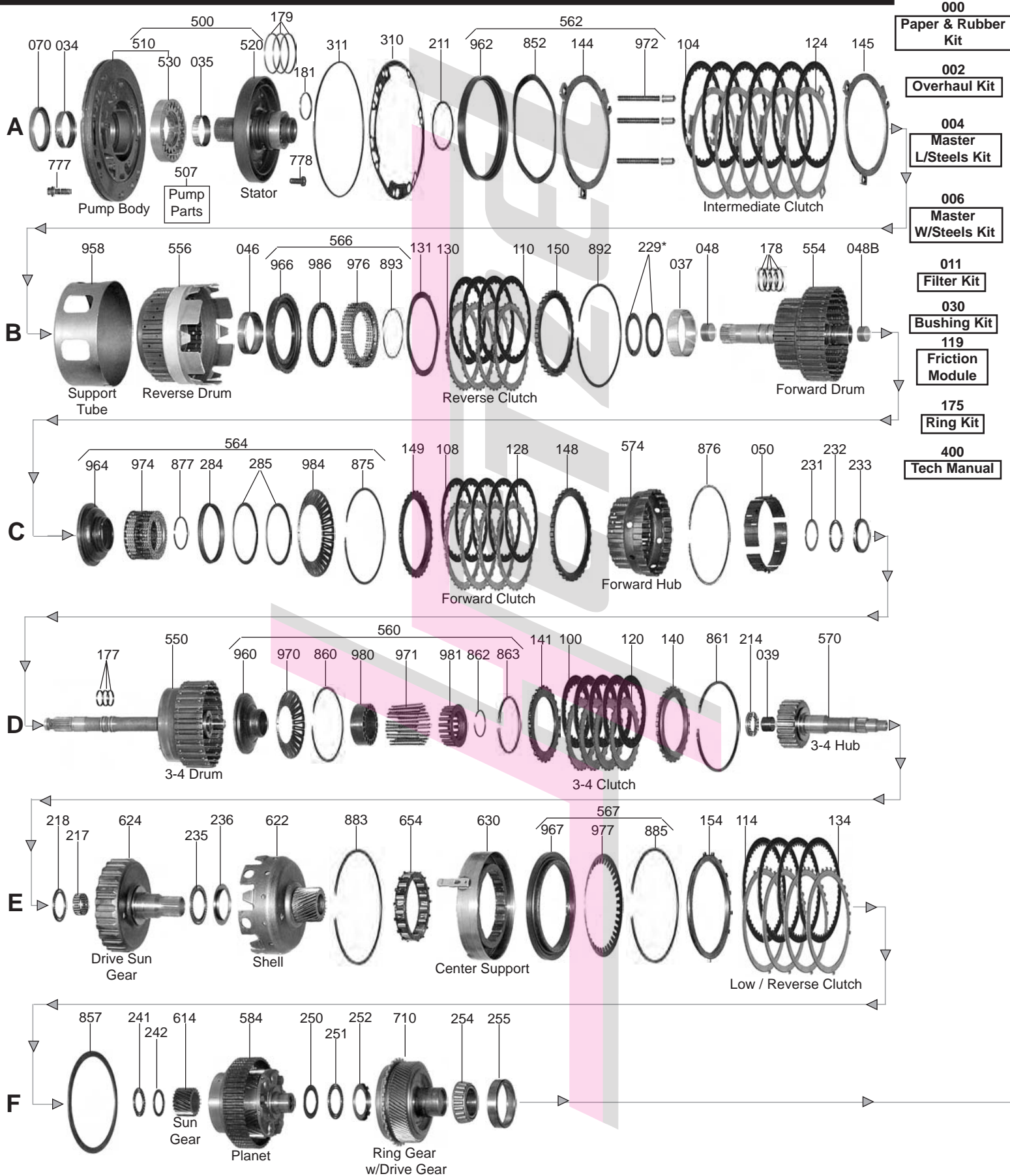


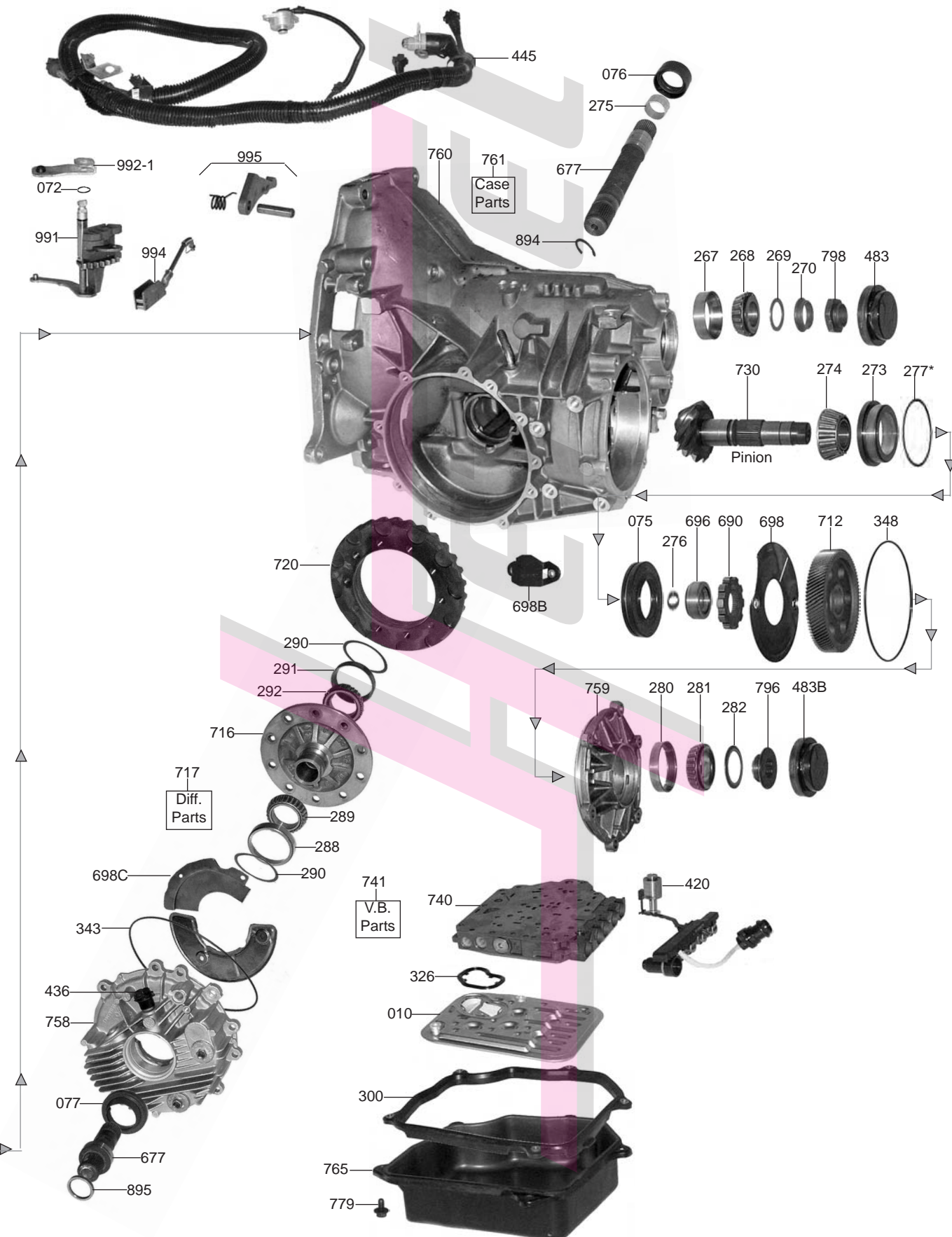
VOLKSWAGEN





VOLKSWAGEN





# VW AG4 (095 / 096 / 01M)(097 / 01N)(098 / 01P)

FWD 4 Speed

PART #	PAPER & RUBBER KIT	QTY.	REFERENCE #
75000A	Paper & Rubber Kit, 095/096 Without Molded Piston	1	
75000C	Paper & Rubber Kit, 097 Without Molded Pistons 1989-12/1994 (German Built)	1	
75000D	Paper & Rubber Kit, 098 Without Molded Pistons 1992-94 (German Built)	1	
PART #	OVERHAUL KITS	QTY.	REFERENCE #
75002A	Overhaul Kit, 095/096 Without Molded Piston (German & Mexican Built) 1989-Up (For Bonded Pistons Sell A75960AK Or A75960BK)	1	
75002AP	Overhaul Kit, 095/096 With Molded Pistons 1989-12/94 (German Built) 1989-Up	1	
75002D	Overhaul Kit, 098 1992-Up (For Bonded Pistons Sell 75960BK)	1	
72002DP	Overhaul Kit, 098 With Molded Pistons 1992-94 (German Built)	1	
PART #	MASTER L/STEEL KIT	QTY.	REFERENCE #
75004AA	Master L/Steels Kit, 095/096 1989-12/94 (German Built)(For Bonded Pistons Sell A75960AK)	1	
75004AB	Master L/Steels Kit, 096 8/1993-12/94 (Mexican Built) (Also Fits 095 1/1995-Up) With Double Sided 3-4 Frictions (Mexican And German Built)(For Bonded Pistons Sell A75960BK)	1	
75004AE	Master L/Steels Kit, 095 (01M) (With 1 Sided 3-4 Frictions) 2001-03 (For Bonded Pistons Sell A75960BK)	1	
75004CA	Master L/Steels Kit, 097 Without Molded Pistons 1989-12/1994 (German Built)	1	
75004CAP	Master L/Steels Kit, 097 With Molded Pistons 1989-12/1994 (German Built)	1	
75004CB	Master L/Steels Kit, 097 Without Molded Pistons 1/1993-12/1994 (Mexican Built) Also Fits 01N 1/1995-Up (All)	1	
75004CBP	Master L/Steels Kit, 097 With Molded Pistons 1/1993-12/1994 (Mexican Built) Also Fits 01N 1/1995-Up (All)	1	
75004DA	Master L/Steels Kit, 098 Without Molded Pistons 1992-94 (German Built)	1	
75004DAP	Master L/Steels Kit, 098 With Molded Pistons 1992-94 (German Built)	1	
75004DB	Master L/Steels Kit, 098 Without Molded Pistons 1/1995-Up	1	
75004DBP	Master L/Steels Kit, 098 With Molded Pistons 1/1995-Up	1	
PART #	MASTER W/STEEL KIT	QTY.	REFERENCE #
75006AA	Master W/Steels Kit, 095/096 1989-12/94 (German Built)(For Bonded Pistons Sell A75960AK)	1	
75006AB	Master W/Steels Kit, 096 8/1993-12/94 (Mexican Built)(Also Fits 095 1/1995-Up (With Double Sided 3-4 Frictions)(Mexican And German Built)(For Bonded Pistons Sell A75960BK)	1	
75006AE	Master W/Steels Kit, 095 (01M) (With 1 Sided 3-4 Frictions) 2001-03 (For Bonded Pistons Sell A75960BK)	1	
75006CA	Master W/Steels Kit, 097 Without Molded Pistons 1989-12/1994 (German Built)	1	
75006CAP	Master W/Steels Kit, 097 With Molded Pistons 1989-12/1994 (German Built)	1	
75006CB	Master W/Steels Kit, 097 Without Molded Pistons 1/1993-12/1994 (Mexican Built) Also Fits 01N 1/1995-Up (All)	1	
75006CBP	Master W/Steels Kit, 097 With Molded Pistons 1/1993-12/1994 (Mexican Built) Also Fits 01N 1/1995-Up (All)	1	
75006DA	Master W/Steels Kit, 098 Without Molded Pistons 1992-94 (German Built)	1	
75006DAP	Master W/Steels Kit, 098 With Molded Pistons 1992-94 (German Built)	1	
75006DB	Master W/Steels Kit, 098 Without Molded Pistons (Eurovan) 1/1995-Up	1	
75006DBP	Master W/Steels Kit, 098 With Molded Pistons (Eurovan) 1/1995-Up	1	
PART #	FILTER	QTY.	REFERENCE #
75010A	Filter, 095/096/097/098 (With Molded Rubber Gasket)	1	095-325-429D
75010B	Filter, 096 (With Round Lip Seal Grommet) 1996-Up	1	
PART #	FILTER KIT	QTY.	REFERENCE #
75011A	Filter Kit, 095/096/097/098	1	
75011B	Filter Kit, 096 (With Lip Seal) 1996-Up	1	
PART #	BUSHINGS	QTY.	REFERENCE #
75030A	Bushing Kit, 095/096/097/098	1	
75034A	Bushing, 095/096/097/098 Pump Body	1	
75035A	Bushing, 095/096/097/098 Inner Pump Gear	1	
75037A	Bushing, 095/096/097/098 Forward Drum (Large) (Front) (To Stator)	1	
75039A	Bushing, 095/096/097/098 3-4 Hub (Pilot) (Front) (To Forward Drum)	1	
75048A	Bushing, 095/096/097/098 Forward Drum Shaft (Small) (Front)	1	
75048B	Bushing, 095/096/097/098 Forward Drum Shaft (Small) (Rear)	1	
75050A	Bushing, 095/096 (01M) Forward Hub To 3-4 Drum (Plastic) (4 Pieces) (.768" Tall)	1	
75050C	Bushing, 097/098 Forward Hub To 3-4 Drum (Plastic) (4 Pieces) (.650" Tall)	1	

PART #	METAL CLAD SEALS	QTY.	REFERENCE #
75070A	Seal, 095/096/097/098 Front.....	1	096-95-321-243
75072A	Seal, 095/096/097/098 Manual Shaft Lever.....	1	095-323-862-A
75075A	Seal, 095/096/097/098 Pinion Retainer.....	1	096-323-862-A
65076A	Seal, Axle (095/096 Both Sides 1989-03)(097 Drivers Side 1995-03).....	1-2	
75076C	Seal, 097 Axle (Passengers Side) 1989-94.....	1	
75076D	Seal, 098 Axle (Both Sides) 1992-03 (Also Fits 097 Passengers Side 1995-03).....	2	
75077C	Seal, 097 Axle (Drivers Side) 1989-94.....	1	

PART #	FRICITION CLUTCH	QTY.	REFERENCE #
75100A	Friction, 095/096/097/098 3-4 Clutch (K3) .063" (3.80"OD) 22 Teeth 1990-94.....	4-6	
75100AB	Friction, 095/096/097/098 3-4 Clutch (K3) .063" (4.05"OD) 1995-Up.....	4-6	
75100AC	Friction, 095/096 (01M) 3-4 Clutch (K3) (.049")(22 Internal Teeth)(1 Sided) 200-03.....	4-6	
75104A	Friction, 095/096/097/098 Intermediate Clutch (B2) .063" (6.10"OD) 32 Teeth 1990-Up.....	4-6	
75108A	Friction, 095/096/097/098 Forward Clutch (K1) .063" (4.80"OD) 24 Teeth 1990-Up (Also Fits Reverse Clutch (K2)).....	4-10	
75110A	Friction, 095/096/097/098 Reverse Clutch (K2) .063" (4.80"OD) 24 Teeth 1990-Up (Use 75108A).....	4-5	
75114A	Friction, 095/096/097/098 Low/Reverse Clutch (B1) .063" (5.75"OD) 50 Teeth 1990-Up.....	4-5	
75119A	Friction Module, 095/096/097 1989-94.....	1	

PART #	STEEL CLUTCH	QTY.	REFERENCE #
75120A	Steel, 095/096/097/098 3-4 Clutch (K3) .079" (2.80"ID) 26 Teeth 1990-94.....	3-5	
75120AA	Steel, 095/096/097/098 3-4 Clutch (K3) .063" (2.80"ID) 28 Teeth 1995-Up.....	4-6	
75120AB	Steel, 095/096/097/098 3-4 Clutch (K3) .058" (2.80"ID) 28 Teeth 1995-Up.....	4-6	
75120AC	Friction, 095/096 (01M) 3-4 Clutch (K3) (.048")(28 External Teeth)(1 Sided) 2000-03.....	4-6	
75124A	Steel, 095/096/097/098 Intermediate Clutch (B2) .079" (5.35"ID) 3 Teeth 1990-Up.....	5-7	
75124AA	Steel, 095/096/097/098 Intermediate Clutch (B2) .089" (5.35"ID) 3 Teeth 1990-Up.....	AR	
75124AB	Steel, 095/096/097/098 Intermediate Clutch (B2) .095" (5.35"ID) 3 Teeth 1990-Up.....	AR	
75124AC	Steel, 095/096/097/098 Intermediate Clutch (B2) .108" (5.35"ID) 3 Teeth 1990-Up.....	AR	
75124AD	Steel, 095/096/097/098 Intermediate Clutch (B2) .118" (5.35"ID) 3 Teeth 1990-Up.....	AR	
75128A	Steel, 095/096/097/098 Forward Clutch (K1) .079" (4.10"ID) 32 Teeth 1990-Up (Also Fits Reverse Clutch (K2)).....	4-10	
75128AA	Steel, 095/096/097/098 Forward Clutch (K1) .057" (4.10"ID) 32 Teeth 1995-Up.....	4-6	
75130A	Steel, 095/096/097/098 Reverse Clutch (K2) .079" (4.10"ID) 32 Teeth 1990-Up (Use 75128A).....	5	
75131A	Steel, 095/096/097/098 Reverse Clutch (Cushion) .058" (2 Teeth).....	1	
75134A	Steel, 095/096/097/098 Low/Reverse Clutch (B1) .079" (5.10"OD) 12 Teeth 1990-94.....	4-5	
75134AA	Steel, 095/096/097/098 Low/Reverse Clutch (B1) .057" (5.10"OD) 12 Teeth 1995-Up.....	4-6	

PART #	CLUTCH PRESSURE PLATES	QTY.	REFERENCE #
75140A	Pressure Plate, 095/096/097/098 3-4 Clutch (Top) K3 (.125") 26 Teeth.....	1	
75140AA	Pressure Plate, 095/096/097/098 3-4 Clutch (Top) K3 (28 Teeth).....	1	
75140AC	Pressure Plate, 095/096(01M) 3-4 Clutch (K3) Top (External Teeth)(1 Sided Friction) (Stepped) 2000-03.....	1	
75141A	Apply Plate, 095/096/097/098 3-4 Clutch (Bottom) K3 (26 Teeth).....	1	
75141AA	Apply Plate, 095/096/097/098 3-4 Clutch (Bottom) K3 (28 Teeth).....	1	
75144A	Pressure Plate, 095/096/097/098 Intermediate Clutch (Front) B2.....	1	
75145A	Apply Plate, 095/096/097/098 Intermediate Clutch (Rear) B2.....	1	
75148A	Pressure Plate, 095/096/097/098 Forward Clutch (Top) K1.....	1	
75149A	Apply Plate, 095/096/097/098 Forward Clutch (Bottom) K1.....	1	
75150A	Pressure Plate, 095/096/097/098 Reverse Clutch (Top) K2 .171" Thick On The ID (.188" Thick On The OD).....	1	
75150AA	Pressure Plate, 095/096/097/098 Reverse Clutch (Top) K2 .121" Thick On The ID (.188" Thick On The OD).....	1	
75150AB	Pressure Plate, 095/096/097/098 Reverse Clutch (Top) K2 .251" Overall Thickness.....	1	
75154A	Pressure Plate, 095/096/097/098 Low/Reverse Clutch (Top) B1.....	1	

PART #	VALVE BODY KITS	QTY.	REFERENCE #
T75165AA	Shift Kit, 095/096 (01M) Fits Units With Round Lip Seal Grommet Type Filter 1995-Up (Transgo).....	1	

PART #	OIL SEALING RINGS	QTY.	REFERENCE #
75175A	Ring Kit, 095/096/097/098.....	1	
75177A	Ring, 095/096/097/098 Input Shaft.....	2	

PART #	OIL SEALING RINGS	QTY.	REFERENCE #
75178A	Ring, 095/096/097/098 Turbine Shaft	4	
75179A	Ring, 095/096/097/098 Reverse Clutch	2	
75181A	Ring, 095/096/097/098 Forward Clutch	1	

PART #	WASHERS & BEARINGS	QTY.	REFERENCE #
75211A	Washer, 095/096/097/098 Stator To Reverse Drum (Plastic)	1	
75214A	Bearing W/Race, 095/096/097/098 3-4 Clutch Drum To 3-4 Clutch Hub	1	
75217A	Cage Bearing, 095/096/097/098 3-4 Clutch Hub To Drive Hub	1	095 323 907
75218A	Bearing, 095/096/097/098 3-4 Clutch Hub To Drive Hub	1	095 323 909
75229A	Washer, 095/096/097/098 Reverse Clutch Drum To Forward Clutch Drum (Plastic)(.045" Thick) (1.785"ID)(2.470"OD)	1	
75231A	Race, 095/096/097/098 Forward Clutch Drum To 3-4 Clutch Drum (Front)	1	095 323 165
75232A	Bearing, 095/096/097/098 Forward Clutch Drum To 3-4 Clutch Drum	1	
75233A	Race, 095/096/097/098 Forward Clutch Drum To 3-4 Clutch Drum (Rear)	1	
75235A	Bearing, 095/096/097/098 Drive Hub To Sun Shell	1	095 323 708
75236A	Race, 095/096/097/098 Drive Hub To Sun Shell	1	095 323 714
75241A	Bearing, 095/096/097/098 Sun Shell To Rear Sun Gear (.097" Thick)(1.530"OD)(1.083"ID) 1990-92	1	095 323 727
75241AA	Bearing, 095/096/097/098 Sun Shell To Rear Sun Gear (.097" Thick)(1.602"OD)(1.083"ID) 1993-95	1	095 323 727B
75242A	Race, 095/096/097/098 Sun Shell To Rear Sun Gear	1	095 323 715
75250A	Race, 095/096/097/098 Planet To Ring Gear (Front)	1	095 323 739
75251A	Bearing, 095/096/097/098 Planet To Ring Gear	1	
75252A	Race, 095/096/097/098 Planet To Ring Gear (Rear)	1	095 323 743A
75254A	Tapered Bearing, 095/096/097/098 Ring Gear To Case	2	003 519 185
75255A	Cup Race, 095/096/097/098 Ring Gear To Case	2	
75262A	Washer, 095/096/097/098 Collar To Bearing	1	
75264A	Collar/Nut, 095/096/098 Rear Planet Ring Gear To Case Bearing	1	
75272A	Bearing W/Races, 095/096/098 Rear Planet Ring Gear To Collar/Nut	1	
75273A	Cup Race, 095/096/097/098 Pinion Bearing Cup	1	
75274A	Tapered Bearing, 095/096/097/098 Pinion	1	
75275A	Washer, 095/096/097/098 Axle Flange To Differential Housing	1	
75276A	Washer, 095/096/097/098 Park Gear To Pinion Bearing	1	
75280A	Cup Race, 095/096/097/098 Driven Transfer Gear Bearing	1	
75281A	Tapered Bearing, 095/096/097/098 Driven Transfer Gear	1	
75283A	Bearing W/Races, 095/096/097/098 Transfer Driven Gear To Bolt	1	
75284A	Spacer, 095/096/097/098 Under Forward Clutch Beveled Spring	1	
75285A	Shim, 095/096/097/098 Under Forward Clutch Beveled Spring	1	
75288A	Cup Race, 095/096/097/098 Differential Bearing Cup (Rear)	1	
75289A	Tapered Bearing, 095/096/097/098 Differential (Rear)	1	
75291A	Cup Race, 095/096/097/098 Differential Bearing Cup (Front)	1	
75292A	Tapered Bearing, 095/096/097/098 Differential (Front)	1	

PART #	GASKETS & RUBBER COMPONENTS	QTY.	REFERENCE #
75300A	Gasket, 095/096 Bottom Pan	1	
75300C	Gasket, 097 Bottom Pan	1	
75300D	Gasket, 098 Bottom Pan	1	
75303A	Gasket, 095/096/097/098 Differential Cover	1	
75304A	Gasket, 095/096/097/098 Transfer Gear Cover	1	
75304AW	Gasket, 095/096 (01M) Rear Cover (Molded Rubber) 1998-Up (Transfer Gear Cover)	1	
75304DW	Gasket, 098 (01P) Rear Cover (Molded Rubber) 1992-94 (Transfer Gear Cover)	1	
75304DAW	Gasket, 098 (01P) Rear Cover (Molded Rubber) 1995-Up (Transfer Gear Cover)	1	
75310A	Gasket, 095/096/097/098 Pump 1989-12/1994 (German Built)	1	
75310AA	Gasket, 095/096/097/098 Pump 1/1995-Up	1	
75311A	O-Ring, 095/096/097/098 Pump	1	
75326A	Gasket, 095/096/097/098 Filter	1	

PART #	TECHNICAL MANUALS	QTY.	REFERENCE #
75400A	Technical Manual, 095/096/097/098	1	
75400B	Technical Manual, AG4 (095/096/01M) Technical Diagnostic Guide	1	

PART #	ELECTRICAL COMPONENTS	QTY.	REFERENCE #
75410A	PRNDL Switch, 095/096/098 (7 Prong) (1 Bolt) (Cast # 095 919 823A)	1	
75410B	PRNDL Switch, 095/096/098 (7 Prong) (1 Bolt) (Cast # 095 919 823B)	1	



75410F	PRNDL Switch, 095/096/098 (7 Prong) (1 Bolt) (Cast # 095 919 823F)	1
75421A	Solenoid, 095/096/097/098 Shift (Brown Connector)(Takes 5 Or 6 Per Transmission)	5-6
75431A	Solenoid, 095/096 EPC/Lock-Up (Black Connector)(Takes 1 Or 2 Per Transmission)	1
75446A	Internal Wire Harness With Case Connector, 095/096/097/098 (Brass Strap Type) The Brass Strap From The Case Connector Has A 90 Degree Bend & T's Into Center Of Solenoid Connector Brass Strap (Use 75446BK)	1
75446AB	Internal Wire Harness With Case Connector, 095/096/097/098 (Brass Strap Type) The Brass Strap From The Case Connector Is Straight & Elbows 90 Degrees In The End Of Solenoid Connector Brass Strap (Use 75446BK)	1
75446B	Internal/External Wire Harness With Pass Through Case Connector, 095/096/097/098 (Brass Strap Type) The External Wire Harness Is 17 3/4" Long Between Pass Through Connector & External Connectors (Use 75446BK)	1
75446BB	Internal/External Wire Harness With Pass Through Case Connector, 095/096/097/098 (Brass Strap Type) The External Wire Harness Is 12" Long Between Pass Through Connector & External Connectors (Use 75446BK)	1
75446BK	Replacement Internal/External Wire Harness, 095/096/097 & Some 098 (Eliminates The OE Brass Strap Type Harness) Has The 17 3/4" Long External Harness Between Case Connector And External Connector	1

PART #	MISC. COMPONENTS	QTY.	REFERENCE #
--------	------------------	------	-------------

75490A	Vent, 095/096/097/098 Case	1
75491A	Vent, 095/096/097/098 Differential	1

PART #	HARD PARTS	QTY.	REFERENCE #
--------	------------	------	-------------

75500A	Pump Complete, 095/096/097/098	1
75510A	Pump Body W/Gears, 095/096/097/098 (Cast # 095 321 247B)	1
75510B	Pump Body W/Gears, 095/096/097/098 (Cast # 01M 321 247)	1
75520A	Stator, 095/096/097/098 With 4 Large Holes & 1 Small Hole Inside Tube (No Check Valves On Flat Surface Of Stator)	1
75520AA	Stator, 095/096/097/098 With 4 Large Holes & 1 Small Hole Inside Tube (With 1 Check Valve On Flat Surface Of Stator)	1
75520B	Stator, 095/096/097/098 With 10 Feed Holes Inside Tube	1
75520C	Stator, 095/096/097/098 With 4 Large Holes & 1 Small Hole Inside Tube (With 3 Check Valves On Flat Surface Of Stator)	1
75550A	Drum, 095/096/097/098 3-4 Clutch With Solid Shaft (5 Clutch) 26 Teeth Steels (.655"OD At Front End Of Shaft) 1989-94	1
75550AB	Drum, 095/096/097/098 3-4 Clutch With Solid Shaft (4 Clutch) 28 Teeth Steels (.655"OD At Front End Of Shaft) 1989-94	1
75550AC	Drum, 095/096/097/098 3-4 Clutch With Solid Shaft (5 Clutch) 28 Teeth Steels (.655"OD At Front End Of Shaft) 1989-94	1
75550B	Drum, 095/096/097/098 3-4 Clutch With Hollow Shaft (4 Or 5 Clutch) 28 Teeth Steels (1.040"OD At End Of Shaft With Bushing On The Inside) 1995-Up	1
75550BA	Drum, 095/096/097/098 3-4 Clutch With Hollow Shaft (4 Or 5 Clutch) 28 Teeth Steels (1.040"OD At End Of Shaft With No Bushing On The Inside) 1995-Up	1
75550BB	Drum, 095/096/097/098 3-4 Clutch With Hollow Shaft (6 Clutch) 28 Teeth Steels (1.040"OD At Front End Of Shaft With Bushing On The Inside) 1995-Up	1
75550BC	Drum, 095/096/097/098 3-4 Clutch With Hollow Shaft (6 Clutch) 28 Teeth Steels (1.040"OD At Front End Of Shaft No Bushing On The Inside) 1995-Up	1
75554A	Drum, 095/096/097/098 Forward With Shaft (5 Clutch) 1990-95 (Uses A Bellville Spring) Used With 75550A	1
75554AA	Drum, 095/096/097/098 Forward With Shaft (5 Clutch) 1990-95 (Does Not Use A Bellville Spring) Used With 75550AB & 75550AC	1
75554B	Drum, 095/096/097/098 Forward Less Shaft 1996-Up	1
75556A	Drum, 095/096/097/098 Reverse Clutch (5 Clutch)	1
75560A	Piston Kit, 095/096/097/098 3-4 Clutch (With Multiple Springs)	1
75560B	Piston Kit, 095/096/097/098 3-4 Clutch (With 1 Large Spring)	1
75564A	Piston Kit, 095/096/097/098 Forward Clutch 1990-95 (With Bellville Spring)	1
75564AA	Piston Kit, 095/096/097/098 Forward Clutch 1990-95 (Does Not Use A Bellville Spring)	1
75564B	Piston Kit, 095/096/097/098 Forward Clutch 1996-Up	1
75566A	Piston Kit, 095/096/097/098 Reverse Clutch	1
75570A	Clutch Hub, 095/096/097/098 3-4 Clutch Hub With Solid Shaft (Fits 75622A Shell With 24 Teeth Sun Gear)	1
75570AA	Clutch Hub, 095/096/097/098 3-4 Clutch Hub With Solid Shaft (Fits 75622AA Shell With 27 Teeth Sun Gear)	1
75574A	Clutch Hub, 095/096/097/098 Forward Clutch	1



PART #	HARD PARTS (Continued)	QTY.	REFERENCE #
75584A	Planet, 095/096/097/098 Rear (Sun Gear #614 Does Not Come With The Planet, It Slides Out)	1	
75584B	Planet, 095/096/097/098 Rear (With Sun Gear #614) The Sun Gear #614 Stays In The Planet	1	
75614A	Sun Gear, 095/096/097/098 Rear (21 Teeth)	1	
75622A	Shell, 095/096/097/098 With Sun Gear (27 Teeth)	1	
75622AA	Shell, 095/096/097/098 With Sun Gear (27 Teeth) 1.890"OD Where Gear Rides	1	
75624A	Hub, 095/096/097/098 Drive With Hollow Shaft (Fits 75622A Shell With 24 Teeth Sun Gear)	1	
75624AA	Hub, 095/096/097/098 Drive With Hollow Shaft (Fits 75622AA Shell With 27 Teeth Sun Gear)	1	
75630A	Center Support, 095/096/097/098 Rear	1	

PART #	SPRAGS & ONE WAY CLUTCHES	QTY.	REFERENCE #
75654AA	Sprag, 095/096/097/098 Rear	1	

PART #	HARD PARTS (Continued)	QTY.	REFERENCE #
75690A	Gear, 095/096/097/098 Park (10 Teeth)	1	
75710A	Gear, 095/096/097/098 Transfer Drive With Ring Gear (62 Teeth)(No Groove)	1	
75710AA	Gear, 095/096/097/098 Transfer Drive With Ring Gear (62 Teeth)(2 Groove)	1	
75710B	Gear, 095/096/097/098 Transfer Drive With Ring Gear (71 Teeth)	1	
75710C	Gear, 095/096/097/098 Transfer Drive With Ring Gear (72 Teeth)	1	
75710D	Gear, 095/096/097/098 Transfer Drive With Ring Gear (75 Teeth)	1	
75710E	Gear, 095/096/097/098 Transfer Drive With Ring Gear (45 Teeth) (.745" Thick)	1	
75710EA	Gear, 095/096/097/098 Transfer Drive With Ring Gear (45 Teeth) (.930" Thick)	1	
75710F	Gear, 095/096/097/098 Transfer Drive With Ring Gear (61 Teeth)(Fits Driven Gear #712F With 4.700"OD)	1	
75710FA	Gear, 095/096/097/098 Transfer Drive With Ring Gear (61 Teeth)(Fits Driven Gear #712FA With 4.670"OD)	1	
75712A	Gear, 095/096/097/098 Transfer Driven (75 Teeth)	1	
75712B	Gear, 095/096/097/098 Transfer Driven (61 Teeth)	1	
75712C	Gear, 095/096/097/098 Transfer Driven (51 Teeth)	1	
75712D	Gear, 095/096/097/098 Transfer Driven (44 Teeth)(.828" Thick)	1	
75712DA	Gear, 095/096/097/098 Transfer Driven (44 Teeth)(.750" Thick)	1	
75712E	Gear, 095/096/097/098 Transfer Driven (73 Teeth)	1	
75712F	Gear, 095/096/097/098 Transfer Driven (63 Teeth)(4.700"OD)	1	
75712FA	Gear, 095/096/097/098 Transfer Driven (63 Teeth)(4.670"OD)	1	
75713A	Retainer, 095/096/097/098 Aluminum 4 Bolt	1	
75715A	Differential W/Ring Gear, 095/096/097/098 (76 Teeth, No Groove)(22 Roller Bearing On Both Sides)	1	
75715AA	Differential W/Ring Gear, 095/096/097/098 (76 Teeth, No Groove)(23 Roller Bearing On Speed-O Side)(24 Roller Bearing On Ring Gear Side)	1	
75715B	Differential W/Ring Gear, 095/096/097/098 (68 Teeth, 5 Groove)(24 Roller Bearing On Both Sides)	1	
75715C	Differential W/Ring Gear, 095/096/097/098 (78 Teeth, 2 Groove)(24 Roller Bearing On Both Sides)	1	
75715D	Differential W/Ring Gear, 095/096/097/098 (64 Teeth, 4 Groove)(24 Roller Bearing On Both Sides)	1	
75715E	Differential W/Ring Gear, 095/096/097/098 (74 Teeth, 3 Groove)(23 Roller Bearing On Both Sides)	1	
75715EA	Differential W/Ring Gear, 095/096/097/098 (74 Teeth, 3 Groove)(23 Roller Bearing On Speed-O Side)(24 Roller Bearing On Ring Gear Side)	1	
75716A	Differential Housing, 095/096/097/098 Less Ring Gear	1	
75720A	Ring Gear, 095/096/097/098 Differential (76 Teeth)	1	
75724A	Retainer, 095/096/097/098 Differential Bearing (Front)	1	
75725A	Retainer, 095/096/097/098 Differential Bearing (Rear)	1	
75730A	Pinion, 095/096/097/098 (18 Teeth)	1	
75735A	Retainer, 095/096/097/098 Pinion Bearing (Aluminum)	1	
75740A	Valve Body, 095/096/097/098 (01M/01N/01P)(With Kidney Shaped Filter Hole)(Must Go By Date On Main Valve Body Section) 1990-94	1	
75740AA	Valve Body, 095/096/097/098 (01M/01N/01P)(With Round Filter Hole)(Must Go By Date On Main Valve Body Section) 1997-98 (Fully Tested With All Necessary Sonnax Replacement Valves)	1	
75740AB	Valve Body, 095/096/097/098 (01M/01N/01P) (With Round Filter Hole)(Must Go By Date On Main Valve Body Section) 1999-Up (Fully Tested With All Necessary Sonnax Replacement Valves)	1	
75740AC	Valve Body, 095/096/097/098 (01M/01N/01P) (With Round Filter Hole)(Must Go By Date On Main Valve Body Section) 1999-Up (Fully Tested With All Necessary Sonnax Replacement Valves)	1	

PART #	VALVE BODY COMPONENTS	QTY.	REFERENCE #
S74741AAK	Valve Assembly, 095/096/097/098 Main Regulator (Contains: Oversize Valve, Springs & End Plug With O-Rings) (Sonnax)(Must Use T-F-119940-TL3)	1	
S75741CK	TCC Boost Valve, Sleeve & Spring, 095/096/097/098 (Sonnax)	1	
S75741CAK	Valve Assembly, 095/097/097/098 TCC Apply (Contains: Oversize TCC Apply Valve, Spring, TCC Boost Valve & Sleeve)(Sonnax) (Must Use Tool T-119940-TL4)	1	
T-119940-TL4	Tool For S75741CAK	1	
S75741-6K	Shift Cup Kit, 095/096/097/098 (Valve End Plugs)(Contains 2 Medium, 4 Small & 1 Large Shift Cup) (Sonnax)	1	
T-VB-FIX	Valve Body Reaming Fixture (Sonnax)	1	
S75741LA	Valve, 095/096/097/098 Oversize Solenoid Valve (Sonnax)(Must Use T-F-119940-TL6)	1	
S75741PAK	Sure Cure Kit, 096/097/098 (AG4 Phase 0 & 1 Units)(Sonnax) (Must Use Tools T-F-119940-TL7, T-F-119940-TL8, T-F-119940-TL6 & T-VB-FIX)	1	
T-F-119940-TL5	Tool For S75741PBK & S75741TK	1	
T-F-119940-TL6	Tool For S75741PAK & S74741PBK	1	
T-F-119940-TL7	Tool For S74741PAK	1	
T-F-119940-TL8	Tool For S74741PAK	1	
S75741PBK	Sure Cure Kit, 01M/01N/01P (AG4 Phase 2 Units)(Sonnax) (Must Use Tools T-F-119940-TL3, T-119940-TL4, T-F-11940-TL5, T-F-119940-TL6 & T-VB-FIX)	1	
T-119940-TL4	Tool For S75741CAK & S74741PBK	1	
T-F-119940-TL3	Tool For S74741PBK	1	
T-F-119940-TL5	Tool For S74741PBK	1	
S75741T-6	End Plug, 095/096/097/098 Boost Valve (Ratcheting)(Sonnax)	1	
S75741TK	Valve Assembly, 095/096/097/098 Boost Regulator Valve & Plug (Sonnax)(Must Use Tool #T-F-119940-TL5)	1	

PART #	HARD PARTS (Continued)	QTY.	REFERENCE #
75758A	Cover, 095/096/097/098 Differential	1	
75759A	Cover, 095/096/097/098 Rear	1	
75760A	Case, 095/096/097/098 (Cast # 096 321 105AE)	1	
75760AE	Case, 095/096 (01M)(Cast # 01M 321 105 E)	1	
75760AF	Case, 095/096 (01M)(Cast # 01M 321 105 F)	1	
75760AL	Case, 095/096 (01M)(Cast # 01M 321 105 L)	1	
75760AQ	Case, 095/096 (01M)(Cast # 01M 321 105 Q)	1	
75765	Pan, 095/096/097/098 Bottom With Drain Plug	1	
75765A	Pan, 095/096/097/098 Bottom No Drain Plug	1	
75774A	Housing, 095/096/098 Driven Speed-O (Black Plastic) (3 Blade Rectangle Connector Is 1/2" Tall)	1	
75774AA	Housing, 095/096/098 Driven Speed-O (Black Plastic) (3 Blade Oval Connector Is 1" Tall)	1	
75792AK	Bolt Set, 095/096/097/098 Holds Cooler To Case	1	
75796A	Nut, 095/096/097/098 For Driven Gear	1	
75838A	Axle Flange, 095/096/097/098	1	
75842A	Bracket, 095/096/097/098 Holds Driven Speed-O Housing On	1	
75852A	Cushion, 095/096/097/098 Intermediate Clutch	1	
75857A	Cushion, 095/096/097/098 Low/Reverse Clutch	1	
75860A	Snap Ring, 095/096/097/098 Holds Beveled Spring In	1	
75861A	Snap Ring, 095/096/097/098 Holds Top Pressure Plate In 3-4 Drum	1	
75862A	Snap Ring, 095/096/097/098 Holds 3-4 Clutch Retainer In	1	
75863A	Snap Ring, 095/096/097/098 Under 3-4 Bottom Pressure Plate	1	
75875A	Snap Ring, 095/096/097/098 Holds Forward Beveled Spring In Drum	1	
75877A	Snap Ring, 095/096/097/098 Holds Forward Return Spring In Drum	1	
75883A	Snap Ring, 095/096/097/098 Holds Center Support In Case	1	
75887A	Snap Ring, 095/096/097/098 Holds Axle Flange To Differential	1	
75892A	Snap Ring, 095/096/097/098 Holds Reverse Pressure Plate In Drum (.057")	1	
75892AA	Snap Ring, 095/096/097/098 Holds Reverse Pressure Plate In Drum (.064")	1	
75892AB	Snap Ring, 095/096/097/098 Holds Reverse Pressure Plate In Drum (.071")	1	
75893A	Snap Ring, 095/096/097/098 Holds Return Spring Retainer In Reverse Drum	1	
75958A	Tube, 095/096/097/098 Intermediate Support	1	
75960A	Piston, 095/096/097/098 3-4 Clutch (K3) (Bonded) 1990-94	1	
75960AK	Piston Kit, 095/096/097/098 (Bonded)(5 Pistons) 8/1993-12/1994	1	
75960B	Piston, 095/096/097/098 3-4 Clutch (K3) (Bonded) 1995-Up	1	
75960BK	Piston Set, 095/096/097/098 (Bonded)(7 Pistons) 1/1995-Up	1	
75962A	Piston, 095/096/097/098 Intermediate Clutch (B2)(Bonded) 1990-Up	1	
75964A	Piston, 095/096/097/098 Forward Clutch (K1)(Bonded) 1990-94	1	
75964B	Piston, 095/096/097/098 Forward Clutch (K1)(Bonded) 1995-Up	1	
75966A	Piston, 095/096/097/098 Reverse Clutch (Bonded) 1989-Up	1	
75967A	Piston, 095/096/097/098 Low/Reverse Clutch (B1)(Bonded) 1990-Up	1	
75970A	Beveled Spring, 095/096/097/098 3-4 Clutch Return	1	

# VW AG4 (095 / 096 / 01M)(097 / 01N)(098 / 01P)

FWD 4 Speed

PART #	HARD PARTS (Continued)	QTY.	REFERENCE #
75971A	Spring, 095/096/097/098 3-4 Clutch Return.....	1	
75972A	Retainer W/Springs, 095/096/097/098 Intermediate Clutch.....	1	
75974A	Retainer W/Springs, 095/096/097/098 Forward Clutch.....	1	
75976A	Retainer W/Springs, 095/096/097/098 Reverse Clutch.....	1	
75977A	Diaphrag Spring, 095/096/097/098 Axle Flange.....	1	
75979A	Spring, 095/096/097/098 Axle Flange.....	1	
75980A	Retainer, 095/096/097/098 3-4 Clutch Spring (Bottom).....	1	
75981A	Retainer, 095/096/097/098 3-4 Clutch Spring (Top).....	1	
75981B	Retainer, 095/096/097/098 3-4 Clutch Spring (K3) (Bonded) 1995-Up.....	1	
75984A	Diaphrag Spring, 095/096/097/098 Forward Clutch.....	1	
75984B	Retainer, 095/096/097/098 Forward Clutch Spring (Bonded) 1995-Up.....	1	
75988A	Cooler, 095/096/097/098 External (Mounts To Case).....	1	
75989A	Retainer, 095/096/097/098 Axle Spring.....	1	
75991A	Linkage Assembly, 095/096/097/098 Internal.....	1	
75995A	Park Pawl Assembly, 095/096/097/098.....	1	
S75998A-4K	Remote Cooler Adapter, 096/097/098 (Sonnax)(Replaces Oil Cooler On Top Of Transmission ..... For Use With External Cooler.....	1	





