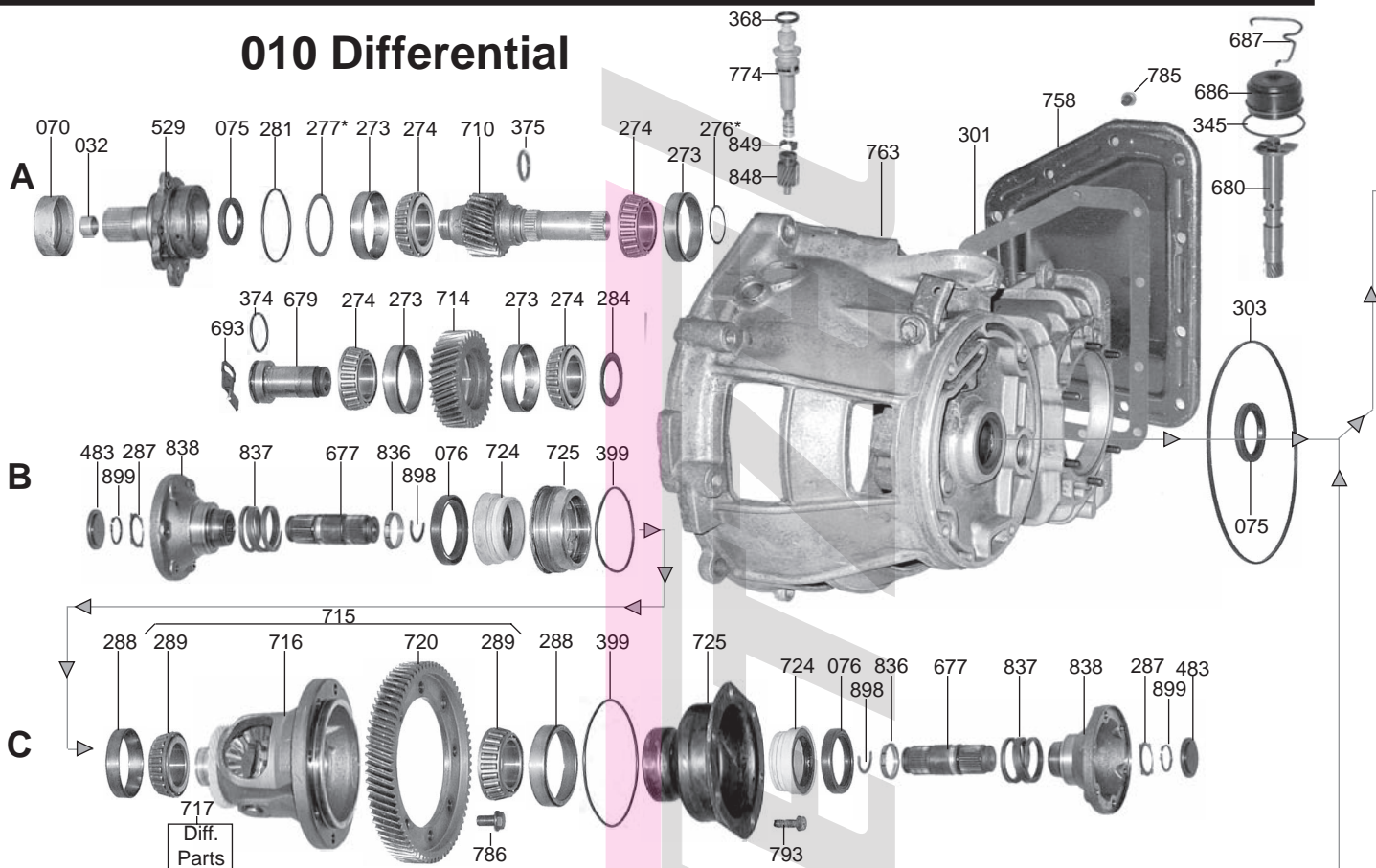
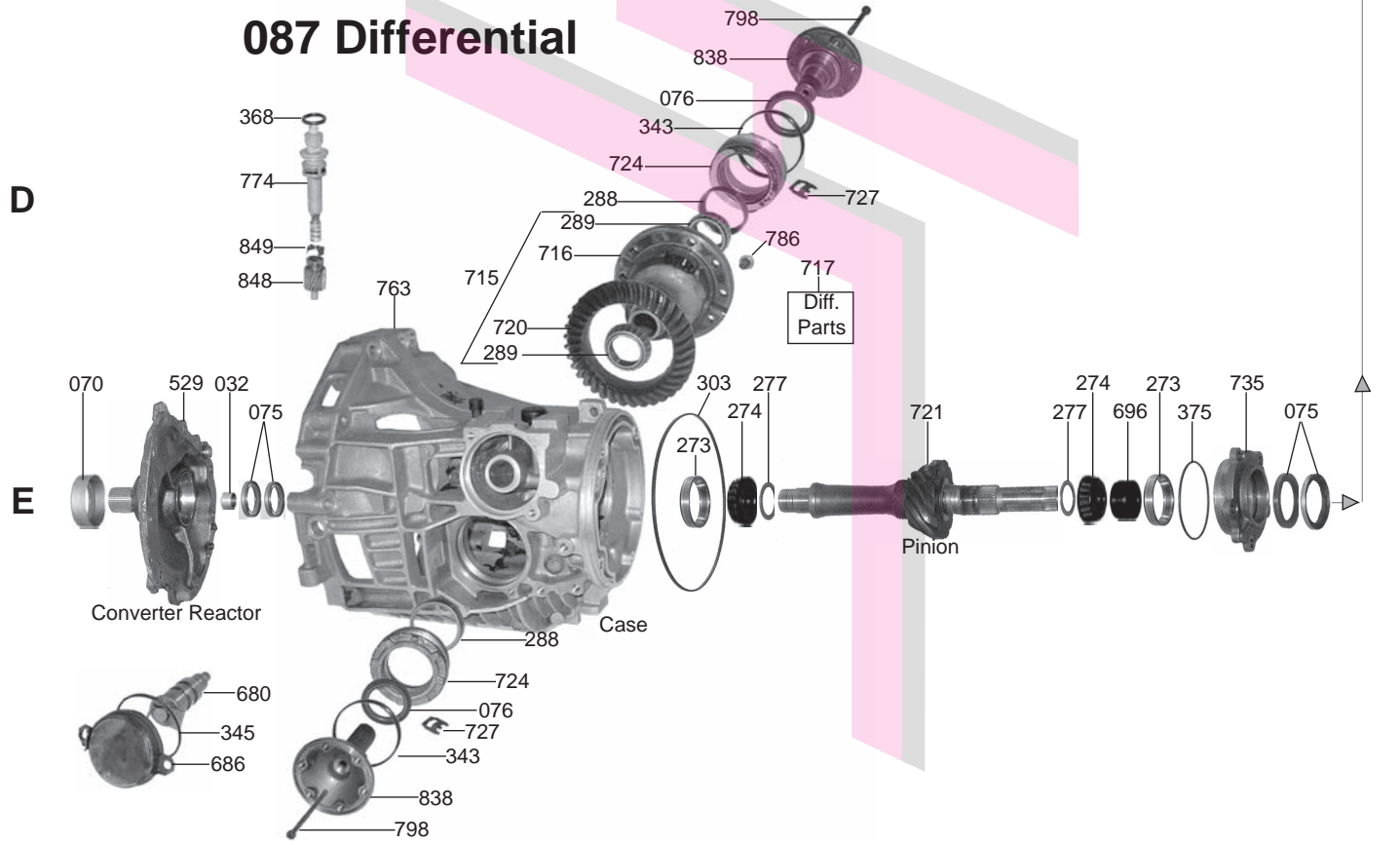


010 Differential

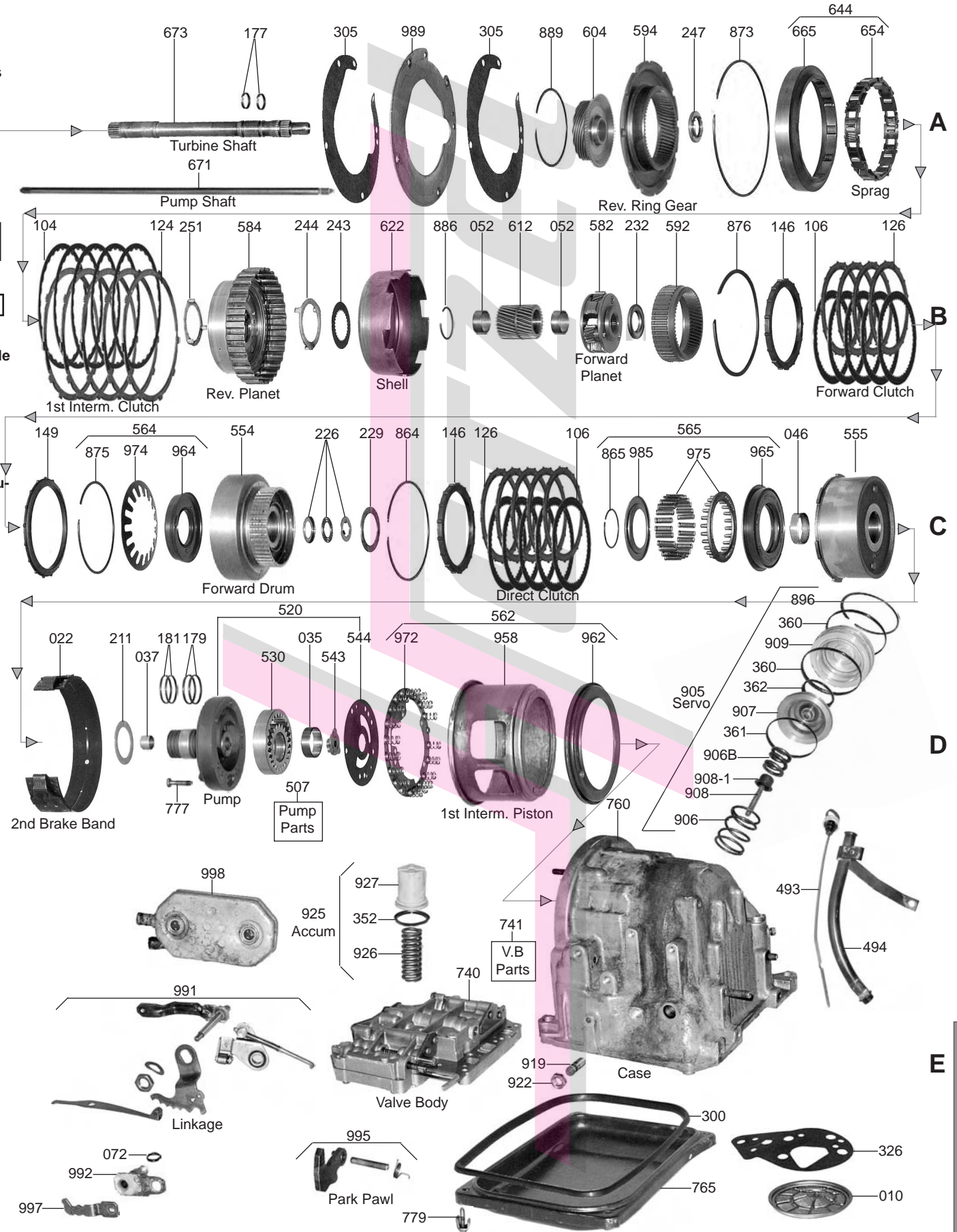


087 Differential



VOLKSWAGEN

- 000 P&R Kits
- 002 Overhaul Kits
- 004 Master L/ Steels Kit
- 006 Master W/ Steels Kit
- 030 Bushing Kits
- 119 Friction Module
- 175 Ring Kits
- 400 Technical Manuals



VW, Audi 010 / 087 / 089 / 090

Transaxle 3 Speed

PART #	PAPER & RUBBER KIT	QTY.	REFERENCE #
65000	Paper & Rubber Kit, 010/087/089/090 (Without Differential Seals) 1975-Up	1	
65001D	Sub Kit, 090 (Vanagon) Use This Kit With 65002C/65004C/65006C Kit	1	
PART #	OVERHAUL KITS	QTY.	REFERENCE #
65002	Overhaul Kit, 010/087/089/090 (Without Differential Seals) 1975-Up (For Bonded Pistons Sell A65962, A65962A, A65964 & A65965)	1	
65002A	Overhaul Kit, 010 (With Differential Seals) 1975-Up (For Bonded Pistons Sell A65962, A65962A, A65964 & A65965)	1	
65002B	Overhaul Kit, 087 (Audi 5000) (With Differential Seals) 1983-Up (For Bonded Pistons Sell A65962, 65962A, A65964 & A65965)	1	
65002C	Overhaul Kit, 089 (Audi 4000) (With Differential Seals) 1976-Up (For 090 Vanagon Sell 65001D Also)(For Bonded Pistons Sell A65962, A65962A, A65964 & A65965)	1	
PART #	MASTER L/STEEL KIT	QTY.	REFERENCE #
65004	Master L/Steels Kit, 010/087/089/090 (Without Differential Seals) 1975-Up (For Bonded Pistons Sell A65962, A65962A, A65964 & A65965)	1	
65004A	Master L/Steels Kit, 010 (With Differential Seals) 1975-Up (For Bonded Pistons Sell A65962, A65962A, A65964 & A65965)	1	
65004B	Master L/Steels Kit, 087 (Audi 5000) (With Differential Seals) 1977-82 (For Bonded Pistons Sell A65962, A65962A, A65964 & A65965)	1	
65004BA	Master L/Steels Kit, 087 (Audi 5000) (With Differential Seals) 1983-Up (For Bonded Pistons Sell A65962, A65962A, A65964 & A65965)	1	
65004C	Master L/Steels Kit, 089 (Audi 4000) (With Differential Seals) 1976-Up (For 090 Vanagon Sell 65001D Also)(For Bonded Pistons Sell A65962, A65962A, A65964 & A65965)	1	
PART #	MASTER W/STEEL KIT	QTY.	REFERENCE #
65006	Master W/Steels Kit, 010/087/089/090 (Without Differential Seals) 1975-Up (For Bonded Pistons Sell A65962, A65962A, A65964 & A65965)	1	
65006A	Master W/Steels Kit, 010 (With Differential Seals) 1975-Up (For Bonded Pistons Sell A65962, A65962A, A65964 & A65965)	1	
65006B	Master W/Steels Kit, 087 (Audi 5000) (With Differential Seals) 1977-82 (For Bonded Pistons Sell A65962, A65962A, A65964 & A65965)	1	
65006BA	Master W/Steels Kit, 087 (Audi 5000) (With Differential Seals) 1983-Up (For Bonded Pistons Sell A65962, A65962A, A65964 & A65965)	1	
65006C	Master W/Steels Kit, 089 (Audi 4000) (With Differential Seals) 1976-Up (For 090 Vanagon Sell 65001D Also)(For Bonded Pistons Sell A65962, A65962A, A65964 & A65965)	1	
PART #	FILTER	QTY.	REFERENCE #
65010	Filter 010/089 Rectangular 1975-76	1	010-325-421
65010A	Filter, 010/087/089/090 Round 1977-Up	1	010-325-421A
PART #	BANDS	QTY.	REFERENCE #
65022	Band, 010/087/089/090 1975-Up (Except 1983-Up Audi 5000)	1	010-323-461C
65022A	Band, 087 Audi 5000 1983-Up	1	
PART #	BUSHINGS	QTY.	REFERENCE #
65030	Bushing Kit, 010/087/089/090 1975-Up	1	
65031	Bushing, 010/087/089/090 Converter Hub (Use 65035)	1	003-323-611
65032	Bushing, 010/087/089/090 Converter Reactor	1	003-519-074
65035	Bushing, 010/087/089/090 Inner Pump Gear (Also Fits Converter Hub)	1-2	003-323-611
65037	Bushing, 010/087/089/090 Pump Stator	1	003-321-254
65046	Bushing, 010/087/089/090 Direct Drum	1	010-323-115
65052	Bushing, 010/087/089/090 Sun Gear	2	010-323-217A
PART #	METAL CLAD SEALS	QTY.	REFERENCE #
65070	Seal, 010/087/089 Front (Except 090) 1975-Up	1	010-409-568
165070	Seal, 090 Front 1977-Up	1	003-519-089D
65075	Seal, 010 Pinion Shaft (Rear) 1975-Up	1	010-409-529C
65075A	Seal, 087 Pinion Shaft (Front) 1979-Up	2	087-409-085A
65075AA	Seal, 089 Pinion Shaft (Front) 1976-Up	1	089-409-085B
65075B	Seal, 089 Pinion Shaft (Rear) 1975-79	2	089-409-529A

165075B	Seal, 010/090 Pinion Shaft (Front) 1975-4-Up	1	010-409-085D
65075C	Seal, 087 Pinion Shaft (Rear) 1979-Up	2	087-409-529A
65076	Seal, 010 Axle (Both Sides) 1979-83	2	010-409-085
65076A	Seal, 010 Axle (Both Sides) 1984-Up	2	020-301-189M
65076B	Seal, 087/089/090 Axle (Both Sides) 1975-Up	2	018-409-399
65079	Seal, 087 Turbine Shaft 1984-Up	1	087-323-559
65080B	Seal, 087/089 Governor Shaft 1977-Up	1	087-409-133A

PART #	FRICITION CLUTCH	QTY.	REFERENCE #
65104	Friction, 010/087/089/090 1st Intermediate Clutch (.061") 1975-Up	4-5	010-323-231
65106	Friction, 010/087/089/090 Forward & Direct Clutch (.090") (4.75"OD) 1975-Up	3-5	010-323-141C
65106A	Friction, 010/087/089/090 Direct Clutch (.090") (5.00"OD) 1983-Up	5	087-323-141A
65106B	Friction, 010/087/089/090 Forward Clutch (.061")(4.75"OD)(With 1 Tooth Missing) 1975-Up	3-5	010-323-241C
65106D	Friction, 010 (Diesel) Forward Clutch (.061") (With 2 Teeth Missing) 1978-88	5	010-223-241B
65119	Friction Module, 010/087/089/090 1975-Up (Except 1983-Up Audi 5000)	1	
65119BA	Friction Module, 087 Audi 5000 1983-Up	1	

PART #	STEEL CLUTCH	QTY.	REFERENCE #
65124	Steel, 010/087/089/090 1st Intermediate Clutch (.079") 1975-Up	4-5	010-323-227A
65126	Steel, 010/087/089/090 Forward & Direct Clutch (.079") (17 Teeth) 1975-Up	5-9	010-323-139
65126A	Steel, 087 Direct Clutch (.079") (53 Teeth) 1983-Up	5	087-323-139

PART #	CLUTCH PRESSURE PLATES	QTY.	REFERENCE #
65146	Pressure Plate, 010/087/089/090 Forward & Direct (Top) 1975-Up (Except 1983-Up Audi 5000)	1-2	
64146A	Pressure Plate, 087 Direct (Top) Audi 5000 1983-Up	1	
65149	Pressure Plate, 010/087/089/090 Forward Clutch (Bottom) 1975-Up	1	

PART #	OIL SEALING RINGS	QTY.	REFERENCE #
65175	Ring Kit, 010/087/089/090 1975-Up	1	
65177	Ring, 010/087/089/090 Input Shaft 1975-Up	2	010-323-557A
65179	Ring, 010/087/089/090 Direct Clutch 1975-Up	2	010-321-261
65181	Ring, 010/087/089/090 Forward Clutch 1975-Up	2	003-321-261

PART #	WASHERS & BEARINGS	QTY.	REFERENCE #
65211	Washer, 010/087/089/090 Pump To Direct Drum (Metal)	1	003-321-285
65211A	Washer, 010/087/089/090 Pump To Direct Drum (Plastic)	1	
65226	Washer, 010/087/089/090 Forward Drum To Pump	1	003-323-165
65226A	Bearing, 010/087/089/090 Forward Drum To Pump	1	
65229	Washer, 010/087/089/090 Forward Drum To Direct Drum (3Metal, 3 Tab)	1	003-323-161A
65229A	Washer, 010/087/089/090 Forward Drum To Direct Drum (Plastic)	1	003-323-161AP
65232	Bearing, 010/087/089/090 Forward Drum To Planet	1	
65243	Washer, 010/087/089/090 Drive Shell (29 Teeth Sun Gear)	1	010-323-291A
65243A	Washer, 010/087/089/090 Drive Shell (26 Teeth Sun Gear)	1	
65243B	Washer, 010/087/089/090 Drive Shell (28 Teeth Sun Gear)	1	
65244	Washer, 010/087/089/090 Rear Planet To Shell (3 Tab)	1	
65247	Bearing, 010/087/089/090 Annulus Gear To Sun Gear	1	
65251	Washer, 010/087/089/090 Annulus Gear To Rear Planet (Metal, 4 Tab)	1	010-323-291A
65251A	Washer, 010/087/089/090 Annulus Gear To Rear Planet (Plastic)	1	
65273	Cup Race, 087 Pinion (Rear)	1	M88010
65273A	Cup Race, 087/089 Pinion (Front For 087) Front & Rear For 089	1-2	M86610
65273B	Cup Race, 010 Pinion & Idler (Both Sides)	4	LM67010
65274	Bearing, 087 Pinion (Rear)	1	M88048
65274A	Bearing, 087/089 Pinion (Front For 087) Front & Rear For 089	1-2	M86649
65274B	Bearing, 010 Pinion & Idler (Both Sides)	4	LM67048
65288	Cup Race, 087 Differential Carrier (Both Sides)	2	LM300811
65288A	Cup Race, 010/089 Differential Carrier (Both Sides)	2	LM29710
65289	Bearing, 087 Differential Carrier (Both Sides)	2	LM300849
65289A	Bearing, 010/089 Differential Carrier (Both Sides)	2	LM29749

PART #	GASKETS & RUBBER COMPONENTS	QTY.	REFERENCE #
65300	Gasket, 010/087/089/090 Bottom Pan (Rubber)	1	010-321-371B
65303	Lathe Cut Seal, 010/087/089/090 Differential housing To Case	1	010-409-549B
65305	Gasket, 010/087/089/090 Transmission Plate To Differential	2	

VW, Audi 010 / 087 / 089 / 090

Transaxle 3 Speed

PART #	GASKETS & RUBBER COMPONENTS (Continued)	QTY.	REFERENCE #
65326	Gasket, 010/087/089/090 Round Filter To Valve Body	1	
65359	Gasket, 010/087/089/090 2nd Servo Piston (outer)	1	
65368	Gasket, 010/087/089/090 Speed-O Sleeve Without Cruise Control (.674"ID)	1	
65368A	Gasket, 010/087/089/090 Speed-O Sleeve With Cruise Control (.799"ID)	1	
44371A	Gasket, 010/087/089/090 Filler Tube	1	6264902

PART #	TECHNICAL MANUALS	QTY.	REFERENCE #
65400	Technical Manual, 010/087/089/090	1	83-003010TM

PART #	HARD PARTS	QTY.	REFERENCE #
65520	Stator W/Gears, 010/087/089/090 (Uses A Washer #226)	1	010-321-241A
65520A	Stator W/Gears, 010/087/089/090 (Uses A Bearing #226) Can Use 65520	1	
65529A	Converter Reactor, 087 (Need Cast #)	1	
65529B	Converter Reactor, 089 (Need Cast #)	1	
65529C	Converter Reactor, 010	1	
65543	Flange, 010/087/089/090 Inner Pump Gear Drive	1	
65544	Pump Plate, 010/087/089/090	1	010-321-279
65554	Drum, 010/087/089/090 Forward (3 Clutch) Washer Type	1	010-323-205A
65554A	Drum, 010/087/089/090 Forward (4 Clutch) Washer Type	1	010-323-205E
65554B	Drum, 010/087/089/090 Forward (5 Clutch) Bearing Type (Uses Flat Return Spring)	1	
65554C	Drum, 010/087/089/090 Forward (3 Clutch) Bearing Type	1	
65554D	Drum, 010/087/089/090 Forward (4 Clutch) Bearing Type	1	
65554E	Drum, 087 Forward (5 Clutch) Bearing Type (Uses Wire Return Spring)	1	
65555	Drum, 010/087/089/090 Direct (4 Clutch) 17 Teeth Steels	1	010-323-105B
65555A	Drum, 010/087/089/090 Direct (3 Clutch)	1	010-323-105E
65555B	Drum, 010/087/089/090 Direct (4 Clutch) 51 Teeth Steels	1	
65555C	Drum, 087 Direct (5 Clutch) (5.00"OD Frictions) 1983-Up	1	
65582	Planet, 010/087/089/090 Front (Uses 29 Teeth Sun Gear)	1	
65582A	Planet, 010/087/089/090 Front (3 Gear) (26 Teeth Sun Gear)	1	
65582AA	Planet, 010/087/089/090 Front (4 Gear) (26 Teeth Sun Gear)	1	
65582B	Planet, 010/087/089/090 Front (3 Gear) (28 Teeth Sun Gear)	1	090-323-805
65582BA	Planet, 010/087/089/090 Front (4 Gear) (28 Teeth Sun Gear)	1	
65584	Planet, 010/087/089/090 Rear (Uses 29 Teeth Sun Gear)	1	
65584A	Planet, 010/087/089/090 Rear (3 Gear) (Uses 26 Teeth Sun Gear)	1	
65584AA	Planet, 010/087/089/090 Rear (4 Gear) (Uses 26 Teeth Sun Gear)	1	
65584B	Planet, 010/087/089/090 Rear (3 Gear) (Uses 28 Teeth Sun Gear)	1	
65584BA	Planet, 010/087/089/090 Rear (4 Gear) (Uses 28 Teeth Sun Gear)	1	
65592	Ring Gear, 010/087/089/090 Front Planet With Hub (Uses 29 Teeth Sun Gear)	1	
65592A	Ring Gear, 010/087/089/090 Front Planet With Hub (Uses 26 Teeth Sun Gear)	1	
65592B	Ring Gear, 010/087/089/090 Front Planet With Hub (Uses 28 Teeth Sun Gear)	1	
65594K	Ring Gear With Hub, 010/087/089/090 Rear Annulus (Uses 29 Teeth Sun Gear)	1	
65594AK	Ring Gear With Hub, 010/087/089/090 Rear Annulus (Uses 26 Teeth Sun Gear)	1	
65594BK	Ring Gear With Hub, 010/087/089/090 Rear Annulus (Uses 28 Teeth Sun Gear)	1	
65612	Sun Gear, 010/087/089/090 (29 Teeth)	1	010-323-285
65612A	Sun Gear, 010/087/089/090 (26 Teeth)	1	010-323-285E
65612B	Sun Gear, 010/087/089/090 (28 Teeth)	1	
65622	Shell, 010/087/089/090 Driving (Uses 29 Teeth Sun Gear)	1	
65622A	Shell, 010/087/089/090 Driving (Uses 26 Teeth Sun Gear)	1	
65622B	Shell, 010/087/089/090 Driving (Uses 28 Teeth Sun Gear)	1	
65622CA	Shell, 087 Driving (Uses 28 Teeth Sun Gear) (For Large Diameter Direct Drum) 1983-Up	1	

PART #	SPRAGS & ONE WAY CLUTCHES	QTY.	REFERENCE #
65644	Sprag Assembly, 010/087/089/090 (With Lugs On OD Of Outer Race)	1	
65644A	Sprag Assembly, 010/087/089/090 (No Lugs On OD Of Outer Race)	1	
65654	Sprag, 010/087/089/090	1	
65665	Outer Race, 010/087/089/090 Sprag (With Lugs On OD)	1	
65665A	Outer Race, 010/087/089/090 Sprag (No Lugs On OD)	1	

PART #	HARD PARTS (Continued)	QTY.	REFERENCE #
65671	Pump Shaft, 010 Oil Pump (13 7/8")	1	
65671A	Pump Shaft, 087 Oil Pump (20 1/8")	1	
65671B	Pump Shaft, 089 Oil Pump (19 5/16")	1	
65671C	Pump Shaft, 090 Oil Pump (21")	1	
65671D	Pump Shaft, 087/089 Oil Pump (18 7/8")	1	

65673.....	Turbine Shaft, 010 Main (10 3/8")	1	
65673A	Turbine Shaft, 089 Main (15 3/4")	1	
65673B	Turbine Shaft, 087 Main (16 5/8")	1	
65673C	Turbine Shaft, 090 Main (18")	1	
65673D	Turbine Shaft, 087 (16 5/8") With Seal .590"ID	1	
65673E	Turbine Shaft, 087/089 Main (15 3/8")	1	
65680A	Governor Assembly, 010 (18 Teeth) Aluminum Body 1975-82	1	
65680AA	Governor Assembly, 010 (18 Teeth) Late-Steel 1983-Up	1	090-035-041
65680B	Governor Assembly, 089 (13 Teeth) Aluminum Body 1975-82	1	089-325-041B
65680BA	Governor Assembly, 089 (13 Teeth) Late-Steel 1983-Up	1	
65680C	Governor Assembly, 087 (16 Teeth) Aluminum Body 1975-82	1	087-325-041
65680CA	Governor Assembly, 087 (16 Teeth) Late-Steel 1983-Up	1	
65740	Valve Body, 010/087/089/090 (Cast # 283D)	1	
65740A	Valve Body, 010/087/089/090 (Cast # 283E)	1	
65740B	Valve Body, 010/087/089/090 (Cast # 283F)	1	
65740C	Valve Body, 010/087/089/090 (Cast # 283G)	1	
65740D	Valve Body, 010/087/089/090 (Cast # 283J)	1	
65760	Case, 010/087/089/090 (Cast # 105)	1	
65760A	Case, 010/087/089/090 (Cast # 105B)	1	
65760B	Case, 010/087/089/090 (Cast # 106D)	1	
65765	Pan, 010/087/089/090 (With Filler Tube In Case)	1	
65765A	Pan, 010/087/089/090 (With Filler Tube In Pan)	1	
65864	Snap Ring, 010/087/089/090 Holds Direct Clutch Pressure Plate In	1	
65865	Snap Ring, 010/087/089/090 Holds Direct Retainer In Drum	1	
65873	Snap Ring, 010/087/089/090 Holds Rear Ring Gear In Case	1	
65875	Snap Ring, 010/087/089/090 Holds Forward Return Spring In Drum	1	
65876	Snap Ring, 010/087/089/090 Holds Forward Clutch Pressure Plate In	1	
65885	Snap Ring, 010/087/089/090 Holds Low/Reverse Pressure Plate In Case	1	
65896	Snap Ring, 010/087/089/090 Holds Servo Cover In	1	
65905	Servo Assembly, 010/087/089/090	1	
65906	Spring, 010/087/089/090 Servo	1	
65907	Piston, 010/087/089/090 Servo	1	
65909	Cover, 010/087/089/090 Servo	1	
65919	Bolt, 010/087/089/090 Band Adjusting	1	
65922	Nut, 010/087/089/090 Band Adjusting	1	
65925	Accumulator Assembly, 010/087/089/090	1	
65926	Spring, 010/087/089/090 Accumulator	1	
65927	Piston, 010/087/089/090 Accumulator (Late Type) Molded Rubber	1	003-325-405C
65927A	Piston, 010/087/089/090 Accumulator (Early Type) With Lip Seal	1	
65958	Tube, 010/087/089/090 1st Intermediate Clutch Apply	1	
65962	Piston, 010/087/089/090 1st Intermediate Clutch (Without Check Ball) Molded Rubber	1	010-323-479A
65962A	Piston, 010/087/089/090 1st Intermediate Clutch (With Check Ball) Molded Rubber	1	010-323-512A
65964	Piston, 010/087/089/090 Forward Clutch (Molded Rubber)	1	010-323-217A
65965	Piston, 010/087/089/090 Direct Clutch (Molded Rubber)	1	010-323-121B
65972	Retainer W/Spring, 010/087/089/090 Intermediate Clutch	1	
65974	Spring, 010/087/089/090 Diaphragm Forward Clutch (8 Lug)	1	010-323-229D
65974A	Spring, 010/087/089/090 Diaphragm Forward Clutch (16 Lug)	1	010-323-229C
65974B	Spring, 087 Diaphragm Forward Clutch (Wire Type)	1	
65975	Spring, 010/087/089/090 Direct Clutch Return	1	
65985	Retainer, 010/087/089/090 Intermediate	1	
65989	Plate, 010/087/089/090 Intermediate	1	
65991	Linkage Assembly, 010/087/089/090	1	
65995	Park Pawl Assembly, 010/087/089/090	1	
65998	Cooler, 010/087/089/090 External (Cast #)	1	