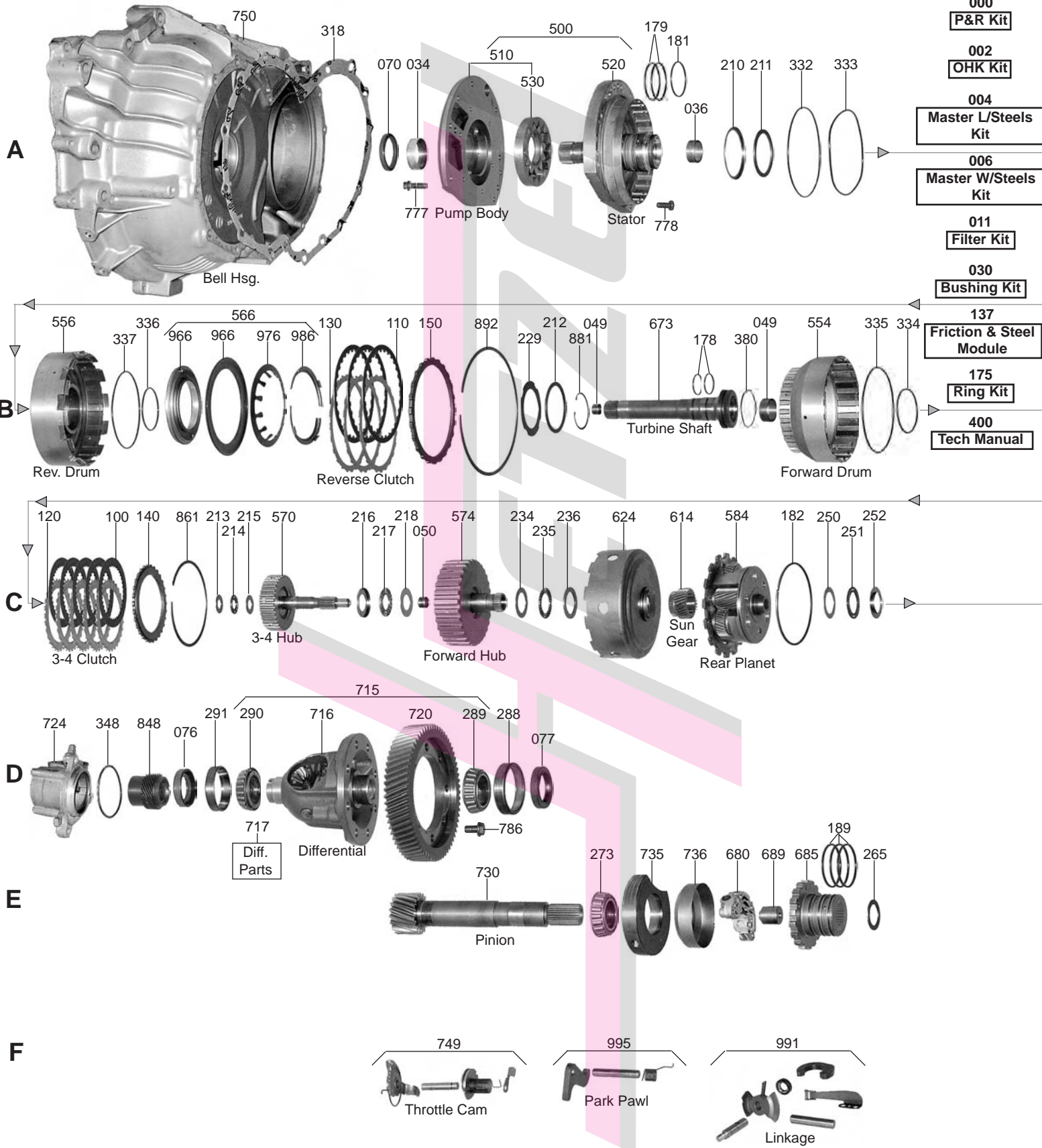


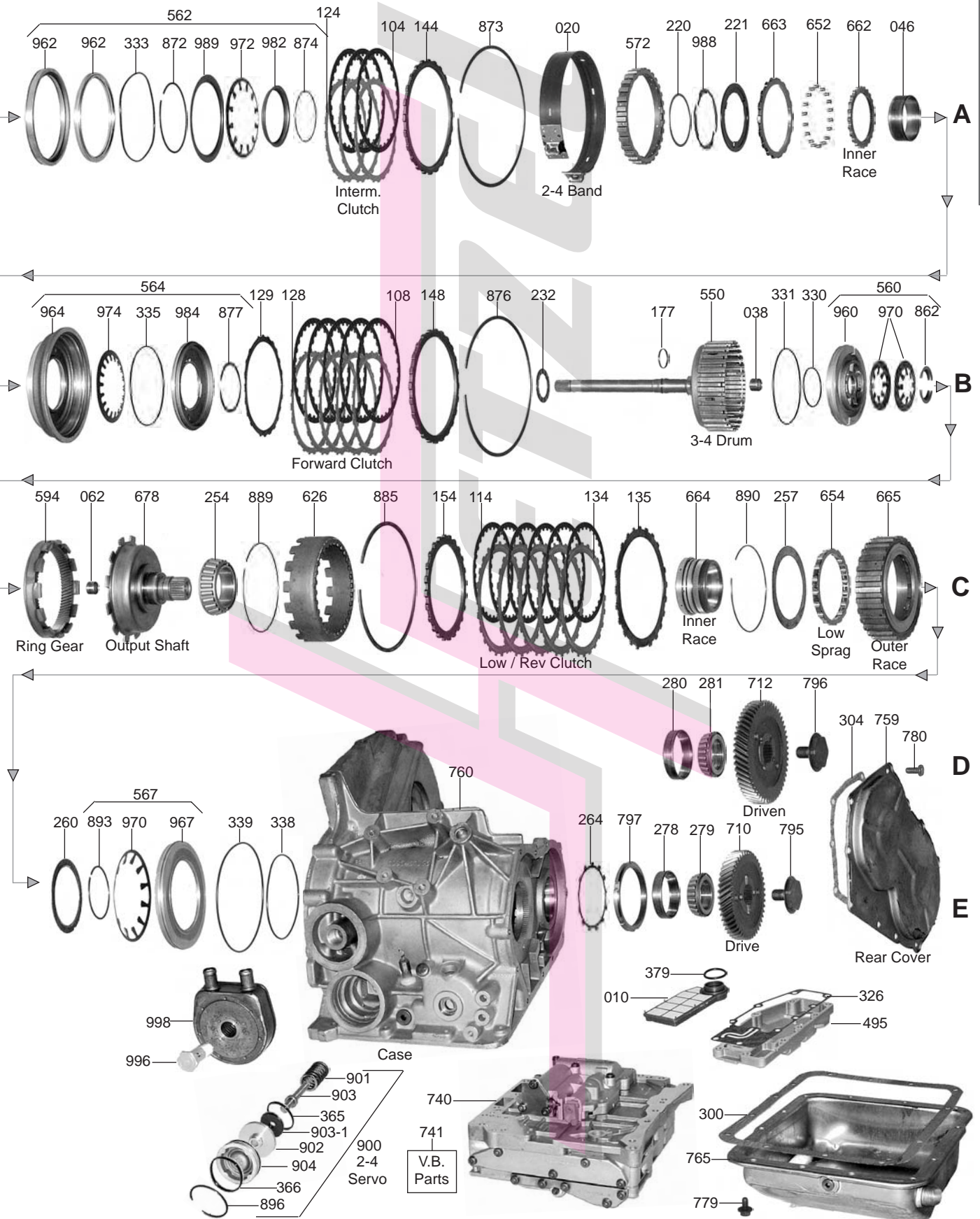
# ZF4HP14 (Peugeot)

FWD 4 Speed

ZF



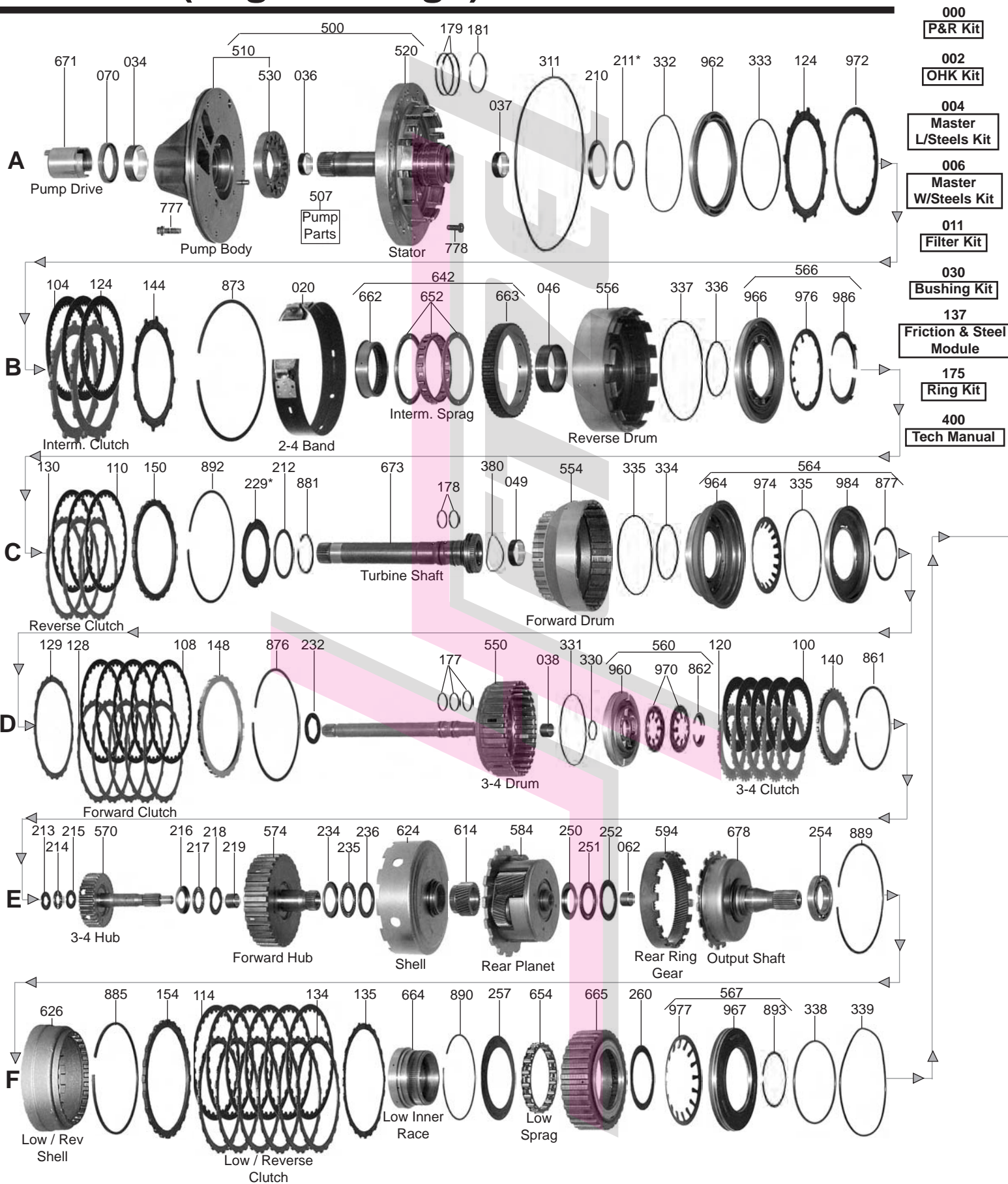
ZF

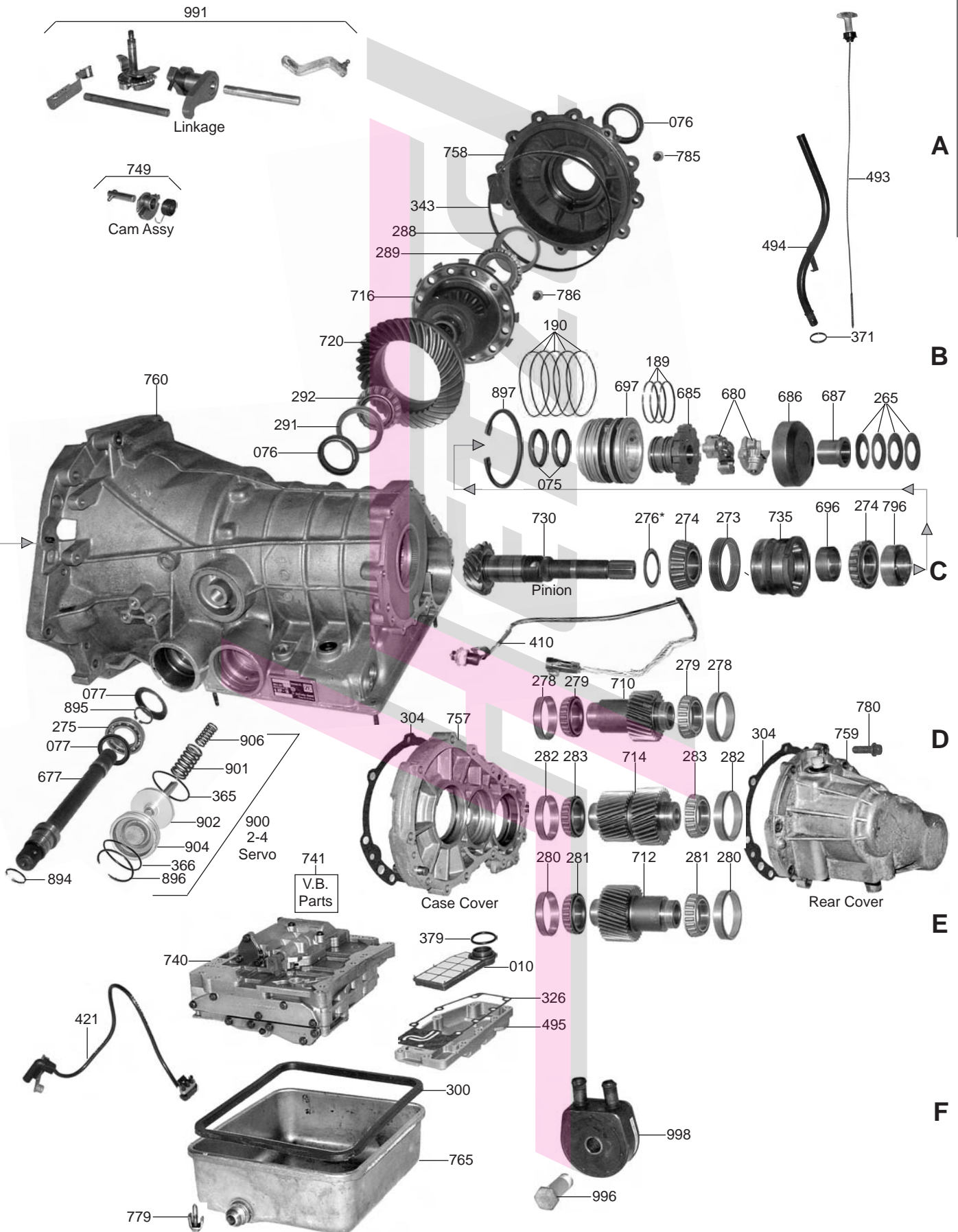


# ZF4HP18 (Eagle / Dodge)

FWD 4 Speed

ZF

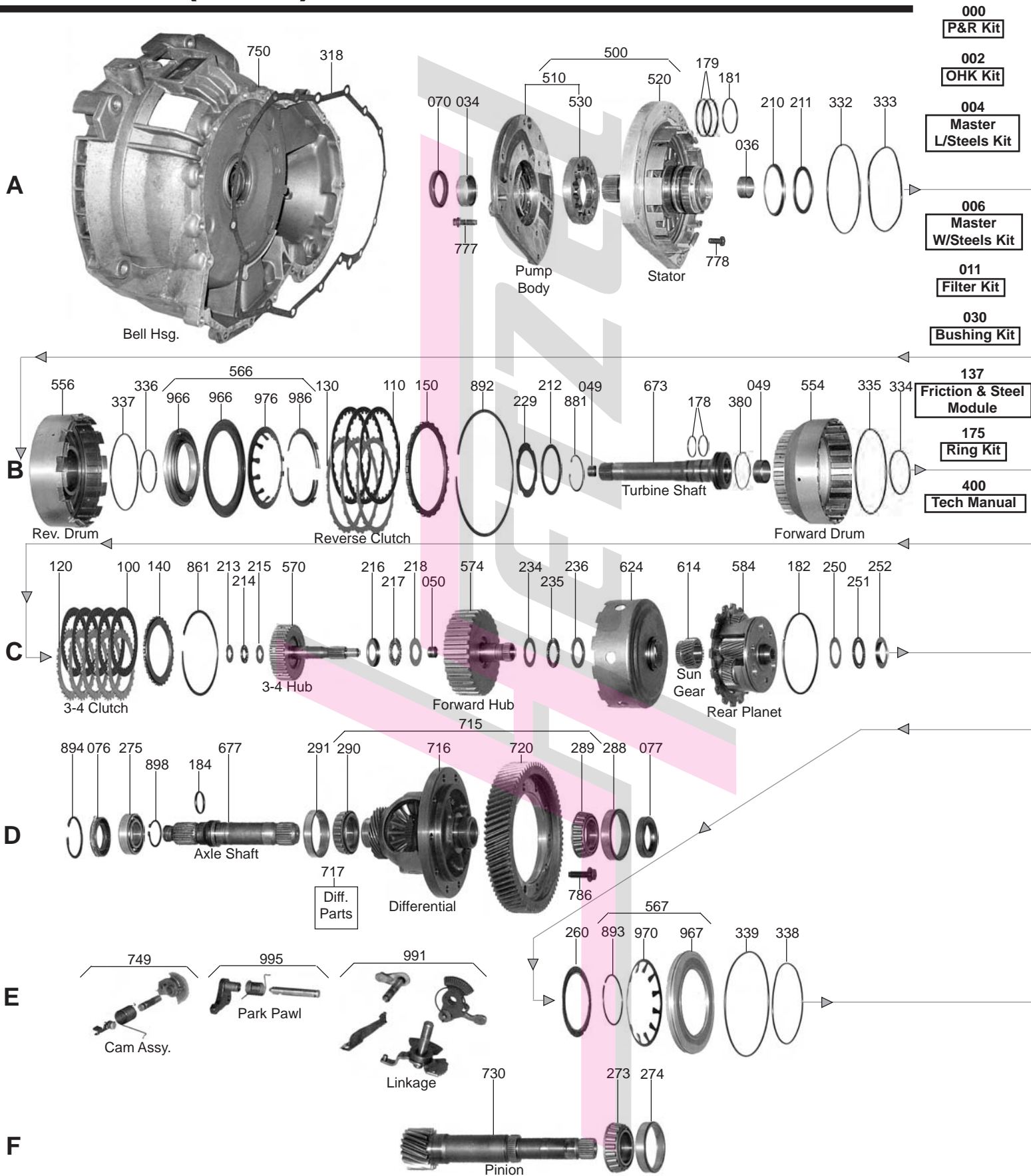


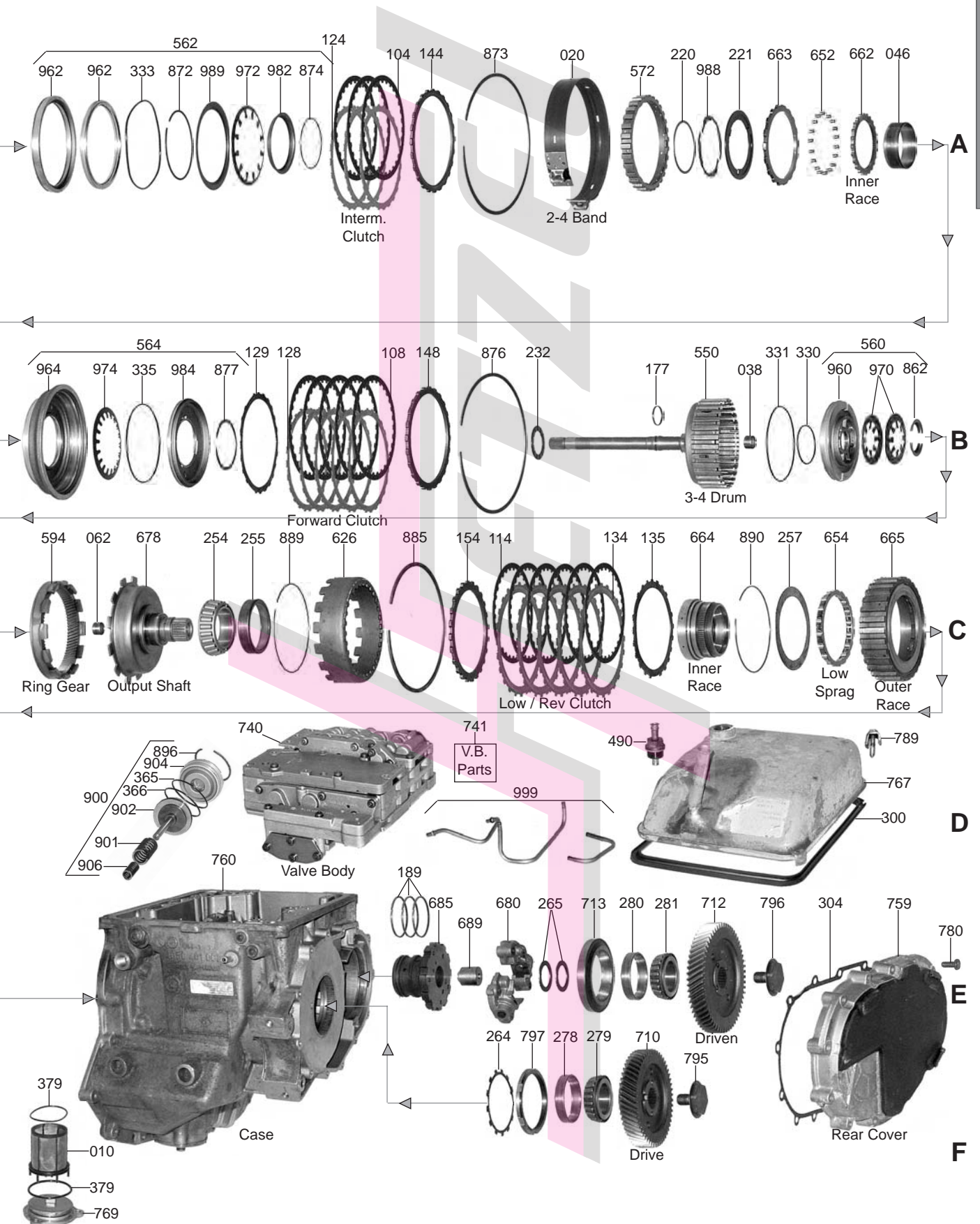


# ZF4HP18 (Saab)

FWD 4 Speed

ZF





# ZF4HP14 / ZF4HP18

FWD 4 Speed

ZF

PART #	PAPER & RUBBER KIT	QTY.	REFERENCE #
79000A	Paper & Rubber Kit, ZF4HP18 (Audi) 1989-99	1	
79000AA	Paper & Rubber Kit, ZF4HP18 (Audi 100) 4x4 1989-97	1	1050298023
79000B	Paper & Rubber Kit, ZF4HP18 (Alfa Romeo, Lancia) 1990-97	1	1050298010
79000C	Paper & Rubber Kit, ZF4HP18 (Citroen) 1986-96	1	1050298008
79000E	Paper & Rubber Kit, ZF4HP18 (Eagle, Dodge) 1986-96	1	1050298003
79000P	Paper & Rubber Kit, ZF4HP14 (Peugeot) 1989-94	1	1036298901
79000S	Paper & Rubber Kit, ZF4HP18 (Saab) 1986-94	1	1050298001

PART #	OVERHAUL KITS	QTY.	REFERENCE #
79002A	Overhaul Kit, ZF4HP18FLA (Audi)(With Transfer Case Parts) 1989-99	1	
79002AA	Overhaul Kit, ZF4HP18 (Audi 100) 4x4 1989-97	1	
79002B	Overhaul Kit, ZF4HP18 (Alfa Romeo, Lancia) 1990-97	1	1050298010
79002C	Overhaul Kit, ZF4HP18 (Citroen) 1989-96	1	
79002E	Overhaul Kit, ZF4HP18 (Eagle, Dodge) 1986-96	1	98027-ZF
79002P	Overhaul Kit, ZF4HP14 (Peugeot) 1989-94	1	1036298901
79002S	Overhaul Kit, ZF4HP18 (Saab 900 1994-97) (9000 1987-98) (Alfa Romeo & Lancia 1990-97) (Citroen XM 1989-98) (Peugot 605 1989-97)	1	1050298001

PART #	MASTER L/STEEL KIT	QTY.	REFERENCE #
79004A	Master L/Steels Kit, ZF4HP18FLA (Audi)(With Transfer Case Parts) 1989-99	1	
79004AA	Master L/Steels Kit, ZF4HP18 (Audi 100) 4x4 1989-97	1	
79004B	Master L/Steels Kit, ZF4HP18 (Alfa Romeo, Lancia) 1990-97	1	3418113
79004C	Master L/Steels Kit, ZF4HP18 (Citroen) 1986-96	1	3418114
79004E	Master L/Steels Kit, ZF4HP18 (Eagle, Dodge) 1986-96	1	3418111
79004P	Master L/Steels Kit, ZF4HP14 (Peugeot) 1989-94	1	98015-ZF
79004S	Master L/Steels Kit, ZF4HP18 (Saab 900 1994-97) (9000 1987-98) (Alfa Romeo & Lancia 1990-97) (Citroen XM 1989-98) (Peugot 605 1989-97)	1	3418112

PART #	MASTER W/STEEL KIT	QTY.	REFERENCE #
79006A	Master W/Steels Kit, ZF4HP18 (Audi) 1989-99	1	
79006AA	Master W/Steels Kit, ZF4HP18 (Audi 100) 4x4 1989-97	1	
79006B	Master W/Steels Kit, ZF4HP18 (Alfa Romeo, Lancia) 1990-97	1	2418113
79006C	Master W/Steels Kit, ZF4HP18 (Citroen) 1989-96	1	2418114
79006E	Master W/Steels Kit, ZF4HP18 (Eagle, Dodge) 1986-96	1	2418111
79006P	Master W/Steels Kit, ZF4HP14 (Peugeot) 1989-94	1	98001-ZF
79006S	Master W/Steels Kit, ZF4HP18 (Saab 900 1994-97) (9000 1987-98) (Alfa Romeo & Lancia 1990-97) (Citroen XM 1989-98) (Peugot 605 1989-97)	1	2418112

PART #	FILTER	QTY.	REFERENCE #
79010A	Filter, ZF4HP18 (Audi 100 & A6) 1991-Up	1	
79010E	Filter, ZF4HP14/ZF4HP18 (Rectangle Filter)	1	1036-226-013
79010S	Filter, ZF4HP14/ZF4HP18 (Round Filter)	1	501311497

PART #	FILTER KIT	QTY.	REFERENCE #
79011A	Filter, ZF4HP18 (Audi 100 & A6) 1991-Up	1	
79011E	Filter Kit, ZF4HP14/ZF4HP18 (Rectangle Filter)	1	
79011S	Filter Kit, ZF4HP14/ZF4HP18 (Round Filter)	1	

PART #	BANDS	QTY.	REFERENCE #
79020A	Band, ZF4HP18 (Audi)	1	
79020E	Band, ZF4HP18 (Eagle, Dodge)	1	
79020P	Band, ZF4HP14 (Peugeot)	1	
79020S	Band, ZF4HP18 (Saab)	1	

PART #	BUSHINGS	QTY.	REFERENCE #
79030E	Bushing Kit, ZF4HP18 (Eagle, Dodge)	1	
79030S	Bushing Kit, ZF4HP18 (Saab)	1	
79034A	Bushing, ZF4HP18 Pump Body (Audi)	1	
79034E	Bushing, ZF4HP18 Pump Body (Eagle, Dodge)	1	
79034S	Bushing, ZF4HP18 Pump Body (Saab)	1	
79036E	Bushing, ZF4HP18 Stator (Front) (Eagel, Dodge, Saab)	1	

79037E	Bushing, ZF4HP18 Stator (Rear) Eagle, Dodge, Saab (Use 69048)	1	
79037EK	Bushing Kit, ZF4HP18 Stator & Turbine Shaft (Eagle, Dodge, Saab)	1	
79037P	Bushing, ZF4HP14 Stator(Rear) Peugeot	1	
79037PK	Bushing Kit, ZF4HP18 Stator & Turbine Shaft (Peugeot)	1	
79046E	Bushing, ZF4HP18 Reverse Drum (Front) Eagle, Dodge, Saab	1	
69048	Bushing, ZF4HP18 Stator (Rear) Eagle, Dodge, Saab	1	
79049E	Bushing, ZF4HP18 Turbine Shaft (Eagle, Dodge, Saab)	1	

PART #	METAL CLAD SEALS	QTY.	REFERENCE #
79070A	Seal, ZF4HP18 Front (Audi)	1	95321243
79070E	Seal, ZF4HP18 Front (Eagle, Dodge)	1	750-111-079
79070S	Seal, ZF4HP18 Front (Saab)	1	750-111-273
175072A	Seal, ZF4HP14/ZF4HP18 Manual Lever	1	
79075A	Seal, ZF4HP18 Pinion Shaft (Audi)	1	97409529A
79075E	Seal, ZF4HP18 Pinion Shaft (Eagle, Dodge)	2	750-111-191
79076A	Seal, ZF4HP18 Right Axle (Outer, Starter Side) Audi	1	97409399A
79076EA	Seal, ZF4HP18 Right Axle (Inner, Differential Side) Eagle, Dodge	1	750-111-193
79076EB	Seal, ZF4HP18 Right Axle (Outer, Differential Side) Eagle, Dodge	1	750-111-195
79076S	Seal, ZF4HP18 Right Axle (Rear) Saab	1	750-111-292
79077A	Seal, ZF4HP18 Left Axle (Outer, Differential Side) Audi	1	97409400D
79077EA	Seal, ZF4HP18 Left Axle (Inner, Starter Side) Eagle, Dodge	1	750-111-126
79077EB	Seal, ZF4HP18 Left Axle (Outer, Starter Side) Eagle, Dodge	1	750-111-181
79077P	Seal, ZF4HP14 Left Axle (peugeot)	1	501308397
79077S	Seal, ZF4HP18 Left Axle (Front) Saab	1	750-111-789

PART #	FRICITION CLUTCH	QTY.	REFERENCE #
79100E	Friction, ZF4HP18 3-4 Clutch (.063") 36 Teeth (4.25"OD) E Pack	5	1036-330-034
79100P	Friction, ZF4HP14 3-4 Clutch (.061") 36 Teeth (3.85"OD) E Pack	5	1050-230-033
69104	Friction, ZF4HP18 Intermediate Clutch (.063") 48 Teeth (5.628"OD) C Pack	3	1043217009
79104E	Friction, ZF4HP18 Intermediate Clutch (.063") 48 Teeth (5.628"OD) C Pack (Use 69104)	3	1050-210-053
79104P	Friction, ZF4HP14 Intermediate Clutch (C Pack)(.061") 30 Teeth (5.300"OD) 1989-94 (Also Fits ZF4HP14 Forward Clutch (A Pack) # 108)	4	1063-217-005
79108E	Friction, ZF4HP18 Forward Clutch (.063") 30 Teeth (5.778"OD) A Pack	5	1050-202-002
79108P	Friction, ZF4HP14 Forward Clutch (.061") 30 Teeth (5.300"OD) A Pack (Use 79104P)	3	1056-277-036
79110E	Friction, ZF4HP18 Reverse Clutch (.079") 30 Teeth (5.778"OD) B Pack	3	1050-202-004
79110P	Friction, ZF4HP14 Reverse Clutch (.077") 30 Teeth (5.300"OD) B Pack	3	1036-202-028
79114E	Friction, ZF4HP18 Low/Reverse Clutch (.063") 30 Teeth (5.778"OD) D Pack	6	1050-217-002
79114P	Friction, ZF4HP14 Low/Reverse Clutch (.061") 30 Teeth (5.300"OD) C Pack (Use 79104P)	5	1036-202-029

PART #	STEEL CLUTCH	QTY.	REFERENCE #
79120E	Steel, ZF4HP18 3-4 Clutch (.071") 30 Teeth (3.075"ID) E Pack	5	1050-330-017
79120P	Steel, ZF4HP14 3-4 Clutch (.071") 30 Teeth (2.950"ID) E Pack	5	1036-330-036
79124E	Steel, ZF4HP18 Intermediate Clutch (.071") 12 Teeth (4.688"ID) C Pack (Use 69126B)	3	24231-205-935
79124P	Steel, ZF4HP14 Intermediate Clutch (.071") 24 Teeth (4.730"ID) C Pack	4	1036-302-015
69126B	Steel, ZF4HP18 Intermediate Clutch (.071") 12 Teeth (4.688"ID) C Pack	3	24231-205-935
79128E	Steel, ZF4HP18 Forward (.071") 24 Teeth (5.200"ID) A Pack	5	1050-302-011
79128P	Steel, ZF4HP14 Forward Clutch (.071") 24 Teeth (4.730"ID) A Pack (Use 79124P)	4	1036-302-015
79129E	Steel, ZF4HP18 Forward Clutch (.040") 24 Teeth (5.200"ID) Waved (A Pack)	1	1050-302-012
79130E	Steel, ZF4HP18 Reverse Clutch (.071") 24 Teeth (5.200"ID) B Pack (Use 79128E)	3	1050-302-011
79130P	Steel, ZF4HP14 Reverse Clutch (.071") 24 Teeth (4.730"ID) B Pack (Use 79124P)	3	1036-302-015
79134E	Steel, ZF4HP18 Low/Reverse Clutch (.071") 24 Teeth (5.200"ID) D Pack (Use 79128E)	6	1050-302-011
79134P	Steel, ZF4HP14 Low/Reverse Clutch (.047") 24 Teeth (4.730"ID) D Pack	5	1036-317-006
79135E	Steel, ZF4HP18 Low/Reverse Clutch (.040") 24 Teeth (5.200"ID) D Pack (Use 79129E)	1	1050-302-012
79137E	Friction & Steel Module, ZF4HP18	1	
79137P	Friction & Steel Module, ZF4HP14	1	

PART #	CLUTCH PRESSURE PLATES	QTY.	REFERENCE #
79140E	Pressure Plate, ZF4HP18 3-4 Clutch (3.075"ID) 30 Teeth (E Pack)	1	1056271014
79140P	Pressure Plate, ZF4HP14 3-4 Clutch (2.950"ID) 30 Teeth (E Pack)	1	
79144E	Pressure Plate, ZF4HP18 Intermediate Clutch (4.688"ID) 12 Teeth (C Pack)	1	1043302092
79144P	Pressure Plate, ZF4HP14 Intermediate Clutch (4.730"ID) 24 Teeth (C Pack)	1	
79148E	Pressure Plate, ZF4HP18 Forward Clutch (5.200"ID) 24 Teeth (A Pack)	1	
79148P	Pressure Plate, ZF4HP14 Forward Clutch (4.730"ID) 24 Teeth (A Pack)	1	
79150E	Pressure Plate, ZF4HP18 Reverse Clutch (5.200"ID) 24 Teeth (B Pack)	1	1050302013
79150P	Pressure Plate, ZF4HP14 Reverse Clutch (4.730"ID) 24 Teeth (B Pack)	1	
79154E	Pressure Plate, ZF4HP18 Low/Reverse Clutch (5.200"ID) 24 Teeth (D Pack)	1	
79154P	Pressure Plate, ZF4HP14 Low/Reverse Clutch (4.730"ID) 24 Teeth (D Pack)	1	



# ZF4HP14 / ZF4HP18

FWD 4 Speed

ZF

PART #	OIL SEALING RINGS	QTY.	REFERENCE #
79175A	Ring Kit, ZF4HP18 (Audi)	1	
79175B	Ring Kit, ZF4HP18 (Alfa Romeo)	1	
79175E	Ring Kit, ZF4HP18 (Eagle, Dodge)	1	4HP18MPSR
79175P	Ring Kit, ZF4HP14 (Peugeot)	1	4HP14MPSR
79175S	Ring Kit, ZF4HP18 (Saab)	1	4HP14MPSR
79177E	Ring, ZF4HP14/ZF4HP18 Input Shaft To Turbine Shaft (Rear) 1.023"OD (Metal)	1	750-113-012
79177EBT	Ring, ZF4HP18 Input Shaft To Turbine Shaft (Front) .868"OD (Teflon)	2	501-309-030
79177PT	Ring, ZF4HP14 Input Shaft To Turbine Shaft (Front) .740"OD (Teflon)	1	501-309-031
79178E	Ring, ZF4HP18 Turbine Shaft To Stator (Rear) 1.260"OD (Metal)	1	750-113-014
79178P	Ring, ZF4HP14 Turbine Shaft To Stator (Rear) 1.145"OD (Metal)	1	
79178EB	Ring, ZF4HP18 Turbine Shaft To Stator (Front) 1.220"OD (Metal)	1	750-113-013
79178PB	Ring, ZF4HP14 Turbine Shaft To Stator (Front) 1.098"OD (Metal)	1	
79179E	Ring, ZF4HP18 Stator To Reverse Drum (2.285"OD) (Metal)	2	750-113-015
79179P	Ring, ZF4HP14 Stator To Reverse Drum (2.049"OD) (Metal) (Use 79181E)	2	750-113-024
79181E	Ring, ZF4HP18 Stator To Forward Drum (2.049"OD) (Metal) (Also Fits ZF4HP14 Stator To Reverse Drum)	1-3	750-113-024
79181P	Ring, ZF4HP14 Stator To Forward Drum (1.898"OD) (Metal)	1	750-113-005
79185P	Ring, ZF4HP14 Planet (Rear) 3.940"OD (Metal)	1	750-113-011
79189E	Ring, ZF4HP14/ZF4HP18 Governor (2.205"OD) (Metal)	2	750-113-027
79189EB	Ring, ZF4HP14/ZF4HP18 Governor (2.205"OD) (Rubber)	2	0501306310
79190E	Ring, ZF4HP18 Governor Support (Rear, Large) (Rubber)	4	734-313-075
79190EB	Ring, ZF4HP18 Governor Support (Front, Small) (Rubber)	1	734-313-052

PART #	WASHERS & BEARINGS	QTY.	REFERENCE #
79210E	Race, ZF4HP18 Stator To Band Drum (Eagle)	1	1050322004
79210S	Race, ZF4HP18 Stator To Band Drum (Saab)	1	
79211A	Washer, ZF4HP18 Stator To Band Drum (Plastic) Audi	1	
79211E	Washer, ZF4HP18 Stator To Band Drum (.045") Eagle	1	730105263
79211EA	Washer, ZF4HP18 Stator To Band Drum (.053") Eagle	1	730105264
79211EB	Washer, ZF4HP18 Stator To Band Drum (.054") Eagle	1	730105265
79211EC	Washer, ZF4HP18 Stator To Band Drum (.067") Eagle	1	730105266
79211ED	Washer, ZF4HP18 Stator To Band Drum (.075") Eagle	1	730105267
79211EE	Washer, ZF4HP18 Stator To Band Drum (.080") Eagle	1	730105268
79211EF	Washer, ZF4HP18 Stator To Band Drum (.091") Eagle	1	730105269
79211EG	Washer, ZF4HP18 Stator To Band Drum (.103") Eagle	1	730105270
79211EH	Washer, ZF4HP18 Stator To Band Drum (.108") Eagle	1	730105271
79211EJ	Washer, ZF4HP18 Stator To Band Drum (.118") Eagle	1	730105272
79211EL	Washer, ZF4HP18 Stator To Band Drum (.123") Eagle	1	730105273
79211EM	Washer, ZF4HP18 Stator To Band Drum (.133") Eagle	1	730105274
79211EN	Washer, ZF4HP18 Stator To Band Drum (.143") Eagle	1	730105275
79211EP	Washer, ZF4HP18 Stator To Band Drum (.152") Eagle	1	730105276
79211S	Washer, ZF4HP18 Stator To Band Drum (.047") Saab	1	730150608
79211SA	Washer, ZF4HP18 Stator To Band Drum (.049") Saab	1	730150609
79211SB	Washer, ZF4HP18 Stator To Band Drum (.062") Saab	1	730150610
79211SC	Washer, ZF4HP18 Stator To Band Drum (.070") Saab	1	730150611
79211SD	Washer, ZF4HP18 Stator To Band Drum (.082") Saab	1	730150612
79211SE	Washer, ZF4HP18 Stator To Band Drum (.088") Saab	1	730150613
79211SF	Washer, ZF4HP18 Stator To Band Drum (.097") Saab	1	730150614
79211SG	Washer, ZF4HP18 Stator To Band Drum (.105") Saab	1	730150615
79211SH	Washer, ZF4HP18 Stator To Band Drum (.113") Saab	1	730150616
79211SJ	Washer, ZF4HP18 Stator To Band Drum (.125") Saab	1	730150617
79211SL	Washer, ZF4HP18 Stator To Band Drum (.133") Saab	1	730150618
79211SM	Washer, ZF4HP18 Stator To Band Drum (.136") Saab	1	730150619
79211SN	Washer, ZF4HP18 Stator To Band Drum (.144") Saab	1	730150620
79211SP	Washer, ZF4HP18 Stator To Band Drum (.152") Saab	1	730150621
79212E	Washer, ZF4HP18 Stator To Turbine Shaft (Eagle)	1	
79213E	Race, ZF4HP18 3-4 Drum To 3-4 Hub (Front) Eagle	1	635290065
79213S	Race, ZF4HP18 3-4 Drum To 3-4 Hub (Front) Saab	1	
79214A	Bearing W/Race, ZF4HP18 3-4 Drum To 3-4 Hub (Audi)	1	
79214E	Bearing, ZF4HP18 3-4 Drum To 3-4 Hub (Eagle)	1	750115424
79214S	Bearing, ZF4HP18 3-4 Drum To 3-4 Hub (Saab)	1	
79215E	Race, ZF4HP18 3-4 Drum To 3-4 Hub (Rear) Eagle	1	
79216E	Race, ZF4HP18 3-4 Hub To Forward Hub (Front) Eagle	1	1050330032
79216S	Race, ZF4HP18 3-4 Hub To Forward Hub (Front) Saab	1	
79217A	Bearing, ZF4HP18 3-4 Hub To Forward Hub (Audi)	1	
79217E	Bearing, ZF4HP18 3-4 Hub To Forward Hub (Eagle)	1	635302030
79217S	Bearing, ZF4HP18 3-4 Hub To Forward Hub (Saab)	1	

79218E	.....Race, ZF4HP18 3-4 Hub To Forward Hub (Rear) Eagle	.....1	.....1050330033
79218S	.....Race, ZF4HP18 3-4 Hub To Forward Hub (Rear) Saab	.....1	.....
79219A	.....Caged Bearing, ZF4HP18 Forward Hub (Inner) Audi	.....1	.....
79220E	.....Washer, ZF4HP18 On Top Intermediate Sprag (Eagle)	.....1	.....
79221E	.....Washer, ZF4HP18 Under Intermediate Sprag (Eagle)	.....1	.....
79229A	.....Washer, ZF4HP18 Reverse Drum To Forward Drum (Plastic #4) Eagle & Audi	.....1	.....
79229E	.....Washer, ZF4HP18 Reverse Drum To Forward Drum (Plastic #3) Eagle & Audi	.....1	.....1050331009
79229S	.....Race, ZF4HP18 Reverse Drum To Forward Drum (Saab)	.....1	.....
79232A	.....Bearing W/Race, ZF4HP18 Forward Drum To 3-4 Drum (Audi)	.....1	.....
79232E	.....Washer, ZF4HP18 Forward Drum To 3-4 Drum (Black Plastic) Eagle	.....1	.....730150726
79234E	.....Race, ZF4HP18 3rd Clutch Hub To Bowl (Front) Eagle	.....1	.....1050302016
79234S	.....Race, ZF4HP18 Forward Clutch Hub To Bowl (Front) Saab	.....1	.....635290066
79235A	.....Bearing W/Race, ZF4HP18 Forward Clutch Hub To Bowl (Audi)	.....1	.....
79235E	.....Bearing, ZF4HP18 Forward Clutch Hub To Bowl (Eagle)	.....1	.....635302032
79235S	.....Bearing, ZF4HP18 Forward Clutch To Bowl (Saab)	.....1	.....
79236E	.....Race, ZF4HP18 Forward Clutch Hub To Bowl (Rear) Eagle	.....1	.....1050302015
79236S	.....Race, ZF4HP18 Forward Clutch Hub To bowl (Rear) Saab	.....1	.....
79244A	.....Bearing, ZF4HP18 Bowl To Rear Sun Gear (Audi)	.....1	.....
79245A	.....Race, ZF4HP18 Bowl To Rear Sun Gear (Audi)	.....1	.....
79246A	.....Race, ZF4HP18 Planet To Ring Gear (Front) Audi	.....1	.....
79247A	.....Bearing, ZF4HP18 Planet To Ring Gear (Audi)	.....1	.....
79248A	.....Race, ZF4HP18 Planet To Ring Gear (Rear) Audi	.....1	.....
79250A	.....Bearing W/Race, ZF4HP18 Ring Gear To bolt (Audi)	.....1	.....
79250E	.....Race, ZF4HP18 Output Shaft Hub (Front) Eagle	.....1	.....1050332013
79250S	.....Race, ZF4HP18 Output Shaft Hub (Front) Saab	.....1	.....
79251E	.....Bearing, ZF4HP18 Output Shaft Hub (Front) Eagle	.....1	.....750115210
79251S	.....Bearing, ZF4HP18 Output Shaft Hub (Front) Saab	.....1	.....
79252E	.....Race, ZF4HP18 Output Shaft Hub (Front) Eagle	.....1	.....
79252S	.....Race, ZF4HP18 Output Shaft Hub (Front) Saab	.....1	.....
79254E	.....Ball Bearing, ZF4HP18 Output Shaft (Eagle)	.....1	.....
79257E	.....Washer, ZF4HP18 Stop Ring (Eagle)	.....1	.....1050317010
79260E	.....Washer, ZF4HP18 Fixing (Eagle)	.....1	.....1050317024
79260S	.....Race, ZF4HP18 Rear Hub To Case (Saab)	.....1	.....
79263A	.....Cone Bearing, ZF4HP18 Case To Nut (Audi)	.....1	.....
79264S	.....Retaining Ring, ZF4HP18 Rear Sprag In Race To Lock Nut (Saab)	.....1	.....1036317037
79265E	.....Spring Washer, ZF4HP18 (Eagle)	.....1	.....
79271A	.....Cone Bearing, ZF4HP18 Rear Cover To Nut (Audi)	.....1	.....
79274E	.....Cone Bearing, ZF4HP18 Pinion Shaft (Eagle)	.....1	.....750117525
79275E	.....Ball Bearing, ZF4HP18 Axle Shaft To Case (Eagle)	.....1	.....635331218
79276E	.....Shim, ZF4HP18 Pinion Shaft (Selective) Eagle	.....1	.....
79276S	.....Race, ZF4HP18 For Pinion Bearing (Saab)	.....1	.....
79279A	.....Spacer, ZF4HP18 Tapered Bearing To Drive Gear (Audi)	.....1	.....
79279E	.....Cone Bearing, ZF4HP18 Transfer Gear (Eagle)	.....6	.....
79289E	.....Cone Bearing, ZF4HP18 Differential Housing To Differential Cover (Eagle)	.....1	.....750117250
79291S	.....Cup Race, ZF4HP18 Differential To Case (Saab)	.....1	.....

PART #	GASKETS & RUBBER COMPONENTS	QTY.	REFERENCE #
79300A	.....Gasket, ZF4HP18 Bottom Pan (Rubber) Audi	.....1	.....
79300E	.....Gasket, ZF4HP18 Bottom Pan (Rubber) Eagle, Saab	.....1	.....1050301036
79300P	.....Gasket, ZF4HP14 Bottom Pan (Cork) Peugeot	.....1	.....1036301182
79304E	.....Gasket, ZF4HP18 End Cover (Eagle)	.....1	.....750112065
79304S	.....Gasket, ZF4HP18 End Cover (Saab)	.....1	.....0750-112-156
79311E	.....O-Ring, ZF4HP18 Pump (Eagle)	.....1	.....734313064
79318P	.....Gasket, ZF4HP14 Converter Housing To Main Case (Peugeot)	.....1	.....750112022
79318S	.....Gasket, ZF4HP18 Converter Housing To Main Case (Saab)	.....1	.....0750-112-067
79320EK	.....Gasket Set, ZF4HP18 Valve Body (Eagle)	.....1	.....
79322E	.....O-Ring, ZF4HP18 Goes Inside Valve Body (Eagle)	.....1	.....634313430
79322EA	.....Gasket, ZF4HP18 Valve Body End Plate (5 Bolt Holes) Eagle	.....1	.....1036326062
79322S	.....Gasket, ZF4HP18 Valve Body End Plate (13 Bolt Holes) Saab	.....1	.....750112166
79326E	.....Gasket, ZF4HP18 Valve Body To Filter (Eagle)	.....1	.....734313074
79326S	.....Gasket, ZF4HP18 Valve Body To Filter (Saab)	.....1	.....1050326112
79334E	.....O-Ring, ZF4HP18 Forward Drum (Inner) Eagle, Saab	.....1	.....734313020
79335E	.....O-Ring, ZF4HP18 Forward Drum (Outer) Eagle, Saab	.....1	.....750112045
79336E	.....O-Ring, ZF4HP18 Servo Cover (Eagle)	.....1	.....734313011
79367E	.....O-Ring, ZF4HP18 Servo Piston (Eagle)	.....1	.....734313030
79369P	.....O-Ring, ZF4HP14 Speed-O Housing To Bell Housing (Peugeot)	.....1	.....
79373E	.....O-Ring, ZF4HP18 Accelerator Cable (Eagle, Saab)	.....1	.....734303040
79374E	.....O-Ring, ZF4HP18 Axle Shaft (Right) Eagle	.....1	.....734313063

# ZF4HP14 / ZF4HP18

FWD 4 Speed

ZF

PART #	GASKETS & RUBBER COMPONENTS (Continued)	QTY.	REFERENCE #
79378E	Lathe Cut Seal, ZF4HP18 Cooler To Case (Small) Eagle	1	501310764
79378EA	Lathe Cut Seal, ZF4HP18 Cooler To Case (Large) Eagle	1	501310763
79379S	Gasket, ZF4HP18 Valve Body To Filter	1	
79380E	O-Ring, ZF4HP18 Turbine Shaft (Eagle)	1	734313068
79399S	O-Ring, ZF4HP18 Bearing Cover (Saab)	1	734313057
PART #	TECHNICAL MANUALS	QTY.	REFERENCE #
79400A	Technical Manual, ZF4HP18 Audi & Porsche Technician Diagnostic	1	
79400E	Technical Manual, ZF4HP18 Eagle	1	83-ZF4HP18TM
79400S	Technical Manual, ZF4HP18 Saab (Supplement)	1	
PART #	ELECTRICAL COMPONENTS	QTY.	REFERENCE #
79410E	Switch, ZF4HP18 Neutral Safety Switch (Eagle)	1	
PART #	HARD PARTS	QTY.	REFERENCE #
79510A	Pump Body W/Gears, ZF4HP18 (Audi)	1	
79510E	Pump Body W/Gears, ZF4HP18 (Eagle)	1	1050119003
79510P	Pump Body W/Gears, ZF4HP14 (Peugeot)	1	1036219017
79510S	Pump Body W/Gears, ZF4HP18 (Saab)	1	1050219022
79520A	Stator, ZF4HP18 (Pump Cover) Audi	1	
79520E	Stator, ZF4HP18 (Pump Cover) Eagle	1	835005279
79520P	Stator, ZF4HP14 (Pump Cover) Peugeot	1	1036222040
79520S	Stator, ZF4HP18 (Pump Cover) Cast # 1050 422 092 (Saab)	1	1050222051
79520SA	Stator, ZF4HP18 (Pump Cover) Cast # 1050 422 015 (Saab)	1	
PART #	PUMP PARTS	QTY	REFERENCE #
79507S-1	Valve, ZF4HP18 Cooler Relief (In Pump) Saab	1	1036322033
79530E	Pump Gears, ZF4HP18 (Outer) Eagle	1	1050319028
79530EA	Pump Gears, ZF4HP18 (Inner) Eagle	1	1050319029
PART #	HARD PARTS (Continued)	QTY	REFERENCE #
79550A	Drum, ZF4HP18 3-4 Clutch With Input Shaft (Audi)	1	
79550E	Drum, ZF4HP18 3-4 Clutch With Input Shaft (Eagle)	1	
79550S	Drum, ZF4HP18 3-4 Clutch With Input Shaft (Saab)	1	
79554A	Drum, ZF4HP18 Forward Clutch With Turbine Shaft (Audi)	1	
79554E	Drum, ZF4HP18 Forward Clutch (Eagle)	1	
79554P	Drum, ZF4HP14 Forward Clutch (Peugeot)	1	1036302062
79554S	Drum, ZF4HP18 Forward Clutch With Piston (Saab)	1	
79556A	Drum, ZF4HP18 Reverse Clutch (Front) Band Drum (Audi)	1	1050231047
79556E	Drum, ZF4HP18 Reverse Clutch (Front) Band Drum (Eagle)	1	
79556P	Drum, ZF4HP14 Reverse Clutch (Front) Band Drum (Peugeot)	1	1036231037
79556S	Drum, ZF4HP18 Reverse Clutch (Front) Band Drum (Saab)	1	
79560A	Piston Kit, ZF4HP18 3-4 Clutch (Audi)	1	
79560E	Piston Kit, ZF4HP18 3-4 Clutch (Eagle)	1	
79560S	Piston Kit, ZF4HP18 3-4 Clutch (Saab)	1	
79564A	Piston Kit, ZF4HP18 Forward Clutch (Audi)	1	
79564E	Piston Kit, ZF4HP18 Forward Clutch (Eagle)	1	1050302023
79564S	Piston Kit, ZF4HP18 Forward Clutch (Saab)	1	
79566A	Piston Kit, ZF4HP18 Reverse Clutch (Audi)	1	1050231047
79566E	Piston Kit, ZF4HP18 Reverse Clutch (Eagle)	1	
79566S	Piston Kit, ZF4HP18 Reverse Clutch (Saab)	1	
79567A	Piston Kit, ZF4HP18 Low/Reverse Clutch (Audi)	1	
79567E	Piston Kit, ZF4HP18 Low/Reverse Clutch (Eagle)	1	
79567S	Piston Kit, ZF4HP18 Low/Reverse Clutch (Saab)	1	
79570A	Clutch Hub, ZF4HP18 With Shaft 3-4 Clutch (Audi)	1	
79570E	Clutch Hub, ZF4HP18 With Shaft 3-4 Clutch (Eagle)	1	
79570S	Clutch Hub, ZF4HP18 With Shaft 3-4 Clutch (Saab)	1	
79574A	Clutch Hub, ZF4HP18 With Shaft Forward Clutch (Audi)	1	
79574E	Clutch Hub, ZF4HP18 With Shaft Forward Clutch (Eagle)	1	
79574S	Clutch Hub, ZF4HP18 With Shaft Forward Clutch (Saab)	1	
79575A	Clutch Hub, ZF4HP18 Low/Reverse Clutch (Audi)	1	

79584A	Planet, ZF4HP18 (Audi)	1	
79584E	Planet, ZF4HP18 (Eagle)	1	
79584P	Planet, ZF4HP14 (Peugeot)	1	
79584S	Planet, ZF4HP18 (Saab)	1	
79594A	Ring Gear, ZF4HP18 Planet With 75 Teeth Transfer Drive Gear (Audi)	1	
79594E	Ring Gear, ZF4HP18 Planet (Eagle)	1	
79594S	Ring Gear, ZF4HP18 Planet (Saab)	1	
79614A	Sun Gear, ZF4HP18 (21 Teeth) (Audi)	1	
79614E	Sun Gear, Zf4HP18 (Eagle)	1	
79614P	Sun Gear, ZF4HP14 (Peugeot)	1	1036332061
79614S	Sun Gear, ZF4HP18 (Saab)	1	
79624A	Shell, ZF4HP18 Sun Shell With Front Sun Gear (27 Teeth) (Audi)	1	
79624E	Bowl, ZF4HP18 Sun Shell (Eagle)	1	
79624S	Shell, ZF4HP18 Sun Shell (Saab)	1	1050231022
79626E	Shell, ZF4HP18 Rear (Aluminum) (Eagle)	1	
79626S	Shell, ZF4HP18 Rear (Aluminum) (Saab)	1	
79630A	Center Support, ZF4HP18 With Sprag (Audi)	1	
79631A	Center Support Molded Piston, ZF4HP18 (Audi)	1	

PART #	SPRAGS & ONE WAY CLUTCHES	QTY.	REFERENCE #
--------	---------------------------	------	-------------

79642E	Sprag Assembly, ZF4HP18 Intermediate With Races (Eagle)	1	1050231026
79642S	Sprag Assembly, ZF4HP18 Intermediate With Races (Saab)	1	1050231023
79652E	Sprag, ZF4HP18 Intermediate (Eagle)	1	
79654E	Sprag, ZF4HP18 Rear (Eagle)	1	501207061
79654P	Sprag, ZF4HP14 Rear (Peugeot)	1	501207060
79654S	Sprag, ZF4HP18 Rear (Saab)	1	
79662E	Inner Race, ZF4HP18 Intermediate Sprag (Eagle)	1	
79663E	Outer Race, ZF4HP18 Intermediate Sprag (Eagle)	1	
79664E	Inner Race, ZF4HP18 Rear Sprag (Eagle)	1	1050317057
79664P	Inner Race, ZF4HP14 Rear Sprag (Peugeot)	1	1036317024
79664S	Inner Race, ZF4HP18 Rear Sprag (Saab)	1	1050317036
79665E	Outer Race, ZF4HP18 Rear Sprag (Eagle)	1	
79665P	Outer Race, ZF4HP14 Rear Sprag (Peugeot)	1	1036217003
79665S	Outer Race, ZF4HP18 Rear Sprag (Saab)	1	

PART #	HARD PARTS (Continued)	QTY.	REFERENCE #
--------	------------------------	------	-------------

79671E	Pump Drive Sleeve, ZF4HP18 (Eagle)	1	
79673E	Turbine Shaft, ZF4HP18 (Eagle)	1	1050202006
79673S	Turbine Shaft, ZF4HP18 (Saab)	1	1050202005
79677A	Shaft, ZF4HP18 Differential Drive (Audi)	1	
79677E	Shaft, ZF4HP18 Differential Drive (Eagle)	1	
79677S	Shaft W/Bearing, ZF4HP18 Differential Drive (Saab)	1	
79678E	Output Shaft, ZF4HP18 With Hub (Eagle)	1	1050214003
79678S	Output Shaft, ZF4HP18 With Hub (Saab)	1	1050214006
79680E	Governor, ZF4HP18 With Support (Eagle)	1	
79680S	Governor, ZF4HP18 With Support (Saab)	1	1050333180
79685E	Support, ZF4HP18 Governor (Cast Iron) (Eagle)	1	
79686E	Cover, ZF4HP18 Governor (Eagle)	1	
79687E	Collar, ZF4HP18 Spacer Above Governor (Eagle)	1	
79697E	Support Housing, ZF4HP18 Governor (Aluminum) (Eagle)	1	
79710A	Gear, ZF4HP18 Drive Transfer (85 Teeth) (Audi)	1	
79710E	Gear, ZF4HP18 Drive Transfer (36 Teeth) (Eagle)	1	
79710S	Gear, ZF4HP18 Drive Transfer (59 Teeth) (Saab)	1	
79712E	Gear, ZF4HP18 Driven Transfer (27 Teeth) (Eagle)	1	
79712S	Gear, ZF4HP18 Driven Transfer (53 Teeth) (Saab)	1	
79714E	Idle Gear, ZF4HP18 Transfer (31 Teeth Top & Bottom) (Eagle)	1	
79716A	Differential Housing, ZF4HP18 Less Ring Gear (Audi)	1	
79716E	Differential Housing, ZF4HP18 Less Ring Gear (Eagle)	1	
79716S	Differential Housing, ZF4HP18 Less Ring Gear (Saab)	1	
79720A	Ring Gear, ZF4HP18 Differential (31 Teeth) Audi	1	
79720E	Ring Gear, ZF4HP18 Differential (35 Teeth) Eagle	1	
79720S	Ring Gear, ZF4HP18 Differential (77 Teeth) Saab	1	
79724A	Cover, ZF4HP18 Differential (Audi)	1	
79724E	Cover, ZF4HP18 Differential (Eagle)	1	
79730A	Pinion, ZF4HP18 (9 Teeth) Audi	1	
79730EK	Ring & Pinion Set, ZF4HP18 (Eagle)	1	
79730S	Pinion, ZF4HP18 (18 Teeth) Saab	1	
79735E	Retainer, ZF4HP18 Pinion (Eagle)	1	

# ZF4HP14 / ZF4HP18

FWD 4 Speed

ZF

PART #	HARD PARTS (Continued)	QTY.	REFERENCE #
79740AA	Valve Body, ZF4HP18 (Cast #) Audi	1	
79740AB	Valve Body, ZF4HP18 (Audi) 4 Solenoids (Cast # 1050 427)	1	
79740AC	Valve Body, ZF4HP18 (Audi) No Solenoids (Cast # 1050 426)	1	
79740E	Valve Body, ZF4HP18 (Cast #) 4 1/4" Long Manual Shaft Valve (Eagle)	1	4549231
79740S	Valve Body, ZF4HP18 (Cast #) (Saab)	1	

PART #	VALVE BODY COMPONENTS	QTY.	REFERENCE #
S79741P-1	Valve, ZF4HP14/ZF4HP18 Pressure Regulator (Oversize) (Sonnax) Requires		
	Tool # T-85991-TL	1	
T-85991-TL	Reamer & Jig, ZF4HP14/ZF4HP18 For S79741P-1 (Sonnax)	1	
79749E	Cam Assembly, ZF4HP18 Throttle (Eagle)	1	

PART #	HARD PARTS (Continued)	QTY.	REFERENCE #
79750S	Bell Housing, ZF4HP18 (Saab)	1	
79757E	Flange Adapter, ZF4HP18 (For Rear Cover) Eagle	1	
79758E	Cover, ZF4HP18 Differential (Eagle)	1	
79759A	Rear Cover, ZF4HP18 (6 Bolt) Audi	1	
79759E	Rear Cover, ZF4HP18 (Eagle)	1	
79759S	Rear Cover, ZF4HP18 (Saab)	1	
79760A	Case, ZF4HP18 (Cast #) Audi	1	
79760E	Case, ZF4HP18 With Pinion Shaft (Eagle)	1	
79760S	Case, ZF4HP18 (Cast #) Saab	1	
79765A	Pan, ZF4HP18 Bottom (Audi)	1	
79765E	Pan, ZF4HP18 Bottom (Eagle)	1	
79767S	Pan, ZF4HP18 Top (Saab)	1	
79776S	Bolt Set, ZF4HP18 Bell To Case (Saab)	1	
79777EK	Bolt Set, ZF4HP18 Pump To Case (Eagle)	1	736101130
79778EK	Bolt Set, ZF4HP18 Pump Body To Stator (Eagle)	1	736401051
79779EK	Bolt Set, ZF4HP18 Pan To Case (Eagle)	1	
79786EK	Bolt Set, ZF4HP18 Differential Housing To Ring Gear (Eagle)	1	
79794EK	Bolt Set, ZF4HP18 Differential Retainer To Case (Eagle)	1	
79796E	Nut, ZF4HP18 Pinion (Eagle)	1	
79797S	Slotted Nut, ZF4HP18 Rear Sprag Race (Saab)	1	1036317038
79861E	Snap Ring, ZF4HP18 Holds 3-4 Pressure Plate In Drum (Eagle)	1	730513288
79862E	Retainer, ZF4HP18 3-4 Clutch Return Spring (Eagle)	1	1056371009
79873E	Snap Ring, ZF4HP18 Holds Intermediate Pressure Plate To Stator (Eagle)	1	
79876E	Snap Ring, ZF4HP18 Holds Forward Clutch Pressure Plate In Drum (Eagle)	1	
79877E	Snap Ring, ZF4HP18 Holds Forward Clutch Retainer In	1	730513289
79881E	Snap Ring, ZF4HP18 Holds Turbine Shaft In Forward Drum (Eagle)	1	630532044
79885E	Snap Ring, ZF4HP18 Holds Low/Reverse Clutch In Case (Eagle)	1	
79889E	Snap Ring, ZF4HP18 Holds Ring Gear To Output Shaft (Eagle)	1	730513330
79890E	Snap Ring, ZF4HP18 Holds Rear Sprag In Outer Race (Eagle)	1	730513463
79892E	Snap Ring, ZF4HP18 Holds Reverse Pressure Plate In Drum (Eagle)	1	730513296
79893E	Snap Ring, ZF4HP18 Holds Low Inner Race In (Eagle)	1	730505108
79896E	Snap Ring, ZF4HP18 Holds Rear Servo Cover On (Eagle)	1	730513303
79897E	Snap Ring, ZF4HP18 Holds Retainer To Case (Eagle)	1	
79900E	Servo Assembly, ZF4HP18 (Eagle)	1	
79901E	Spring, ZF4HP18 Outer Servo (Eagle)	1	
79902E	Piston, ZF4HP18 Servo (Eagle)	1	
S79902E-5	Washers, ZF4HP18 Servo Piston To Pin (2) Sonnax	1	
79904E	Cover, ZF4HP18 Servo (Eagle)	1	
79906E	Spring, ZF4HP18 Inner Servo (Eagle)	1	
79960E	Piston, ZF4HP18 3-4 Clutch (Eagle)	1	
79962E	Piston, ZF4HP18 Intermediate Clutch (Eagle)	1	
79962S	Piston, ZF4HP18 Intermediate Clutch (Saab)	1	
79964E	Piston, ZF4HP18 Forward Clutch (Eagle, Saab)	1	1050302033
79966E	Piston, ZF4HP18 Reverse Clutch (Outer Piston) Eagle	1	
79966EB	Piston, ZF4HP18 Reverse Clutch (Inner Piston) Eagle	1	
79967E	Piston, ZF4HP18 Low/Reverse Clutch (Eagle)	1	
79967S	Piston, ZF4HP18 Low/Reverse Clutch (Saab)	1	
79970E	Spring, ZF4HP18 3-4 Clutch Diaphragm (Eagle)	2	1036330015
79972E	Spring, ZF4HP18 Intermediate Clutch Diaphragm (Eagle)	1	1050331021
79972S	Spring, ZF4HP18 Intermediate Clutch Diaphragm (Saab)	1	
79974E	Spring, ZF4HP18 Forward Clutch Return (Eagle)	1	1050302021
79976E	Spring, ZF4HP18 Reverse Clutch Return (Eagle)	1	1050331020
79976P	Spring, ZF4HP14 Reverse Clutch Return (Peugeot)	1	1036331048

79977E	.....Spring, ZF4HP18 Low/Reverse Clutch Diaphragm (Eagle)	.....1	.....1050317015
79977S	.....Spring, ZF4HP18 Low/Reverse Clutch Diaphragm (Saab)	.....1	.....
79979A	.....Spring, ZF4HP18 For Center Support (Audi)	.....1	.....
79984E	.....Retainer, ZF4HP18 Forward Clutch Piston (Aluminum) Eagle	.....1	.....1050302020
79986E	.....Retainer, ZF4HP18 Reverse Clutch Return Spring (Eagle)	.....1	.....1050331008
79986P	.....Retainer, ZF4HP14 Reverse Clutch Return Spring (Peugeot)	.....2	.....1036331040
79991E	.....Linkage Assembly, ZF4HP18 Internal (Eagle)	.....1	.....
79998E	.....Cooler, ZF4HP18 (Eagle)	.....1	.....
79999E	.....Oil Tube, ZF4HP18 (Eagle)	.....1	.....

